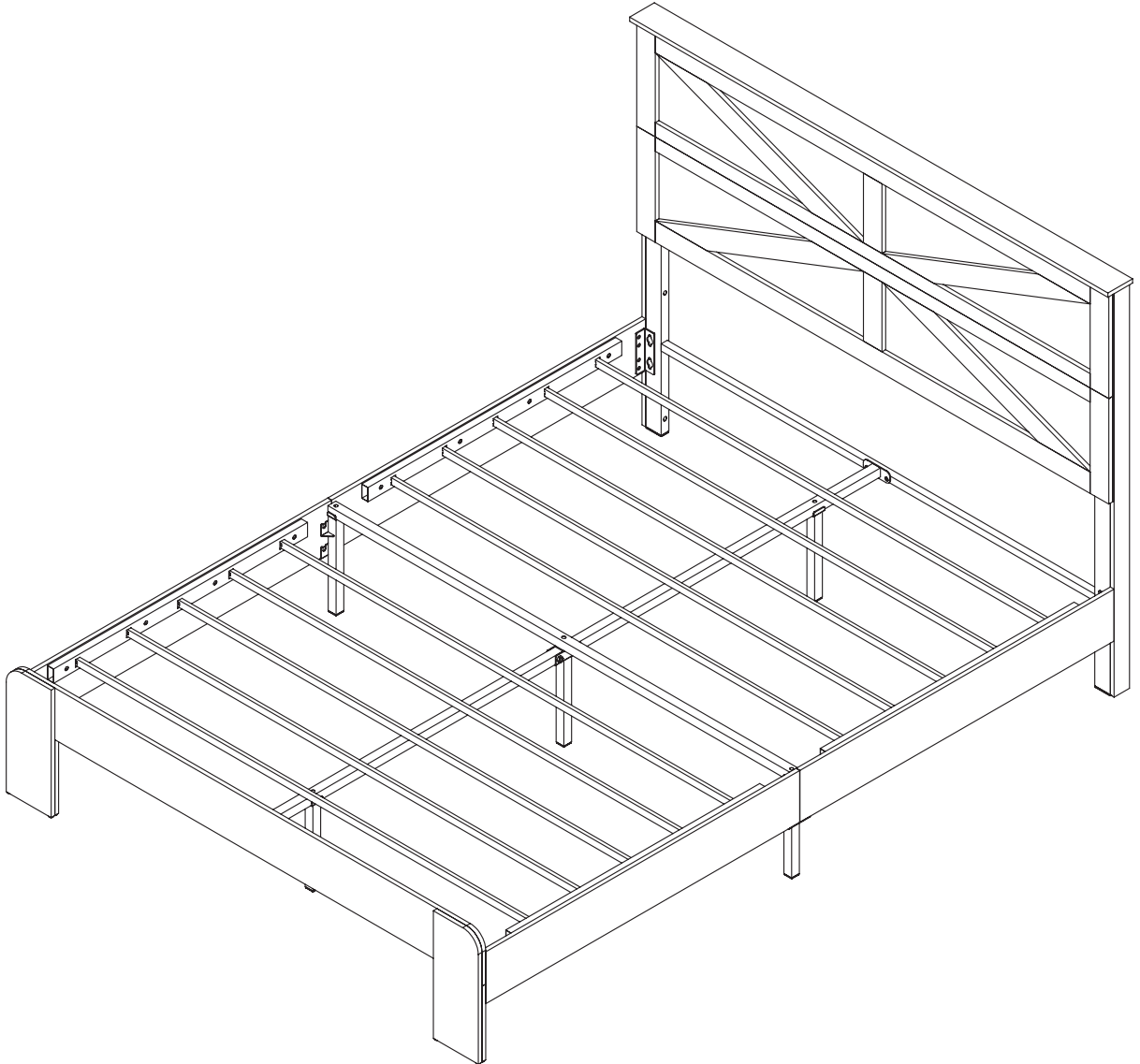
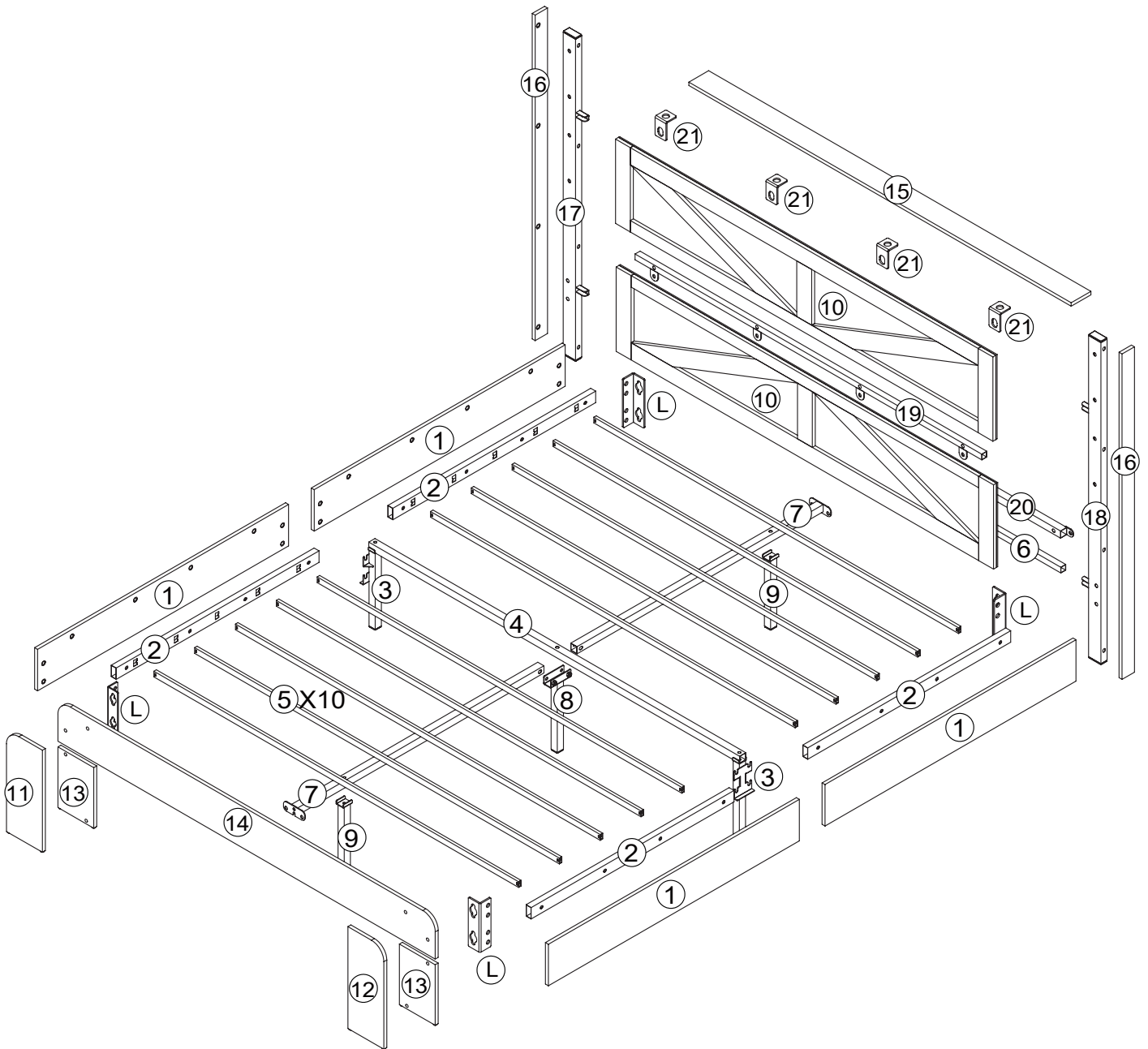


BED FRAME



Thank you for choosing our products, please assemble and use it following the instructions.

Assembly Instruction



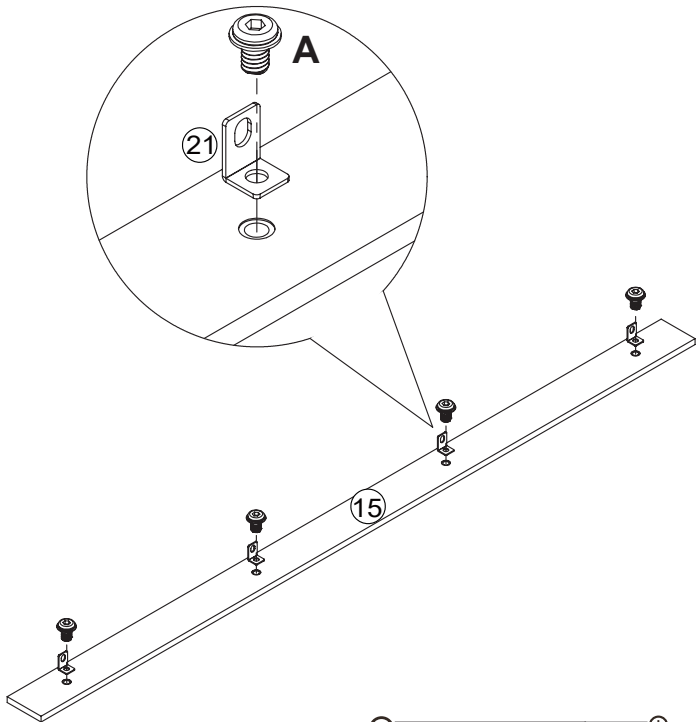
B481-F/Q/K

Important Note

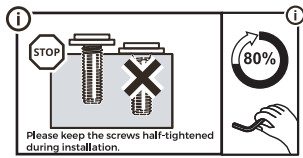
HARDWARE NOTE :

1. Two or more people are required for assembly
2. Do not screw on the bolts too tight unless the installation is done. Make sure all bolts are tightly screwed before you use it.

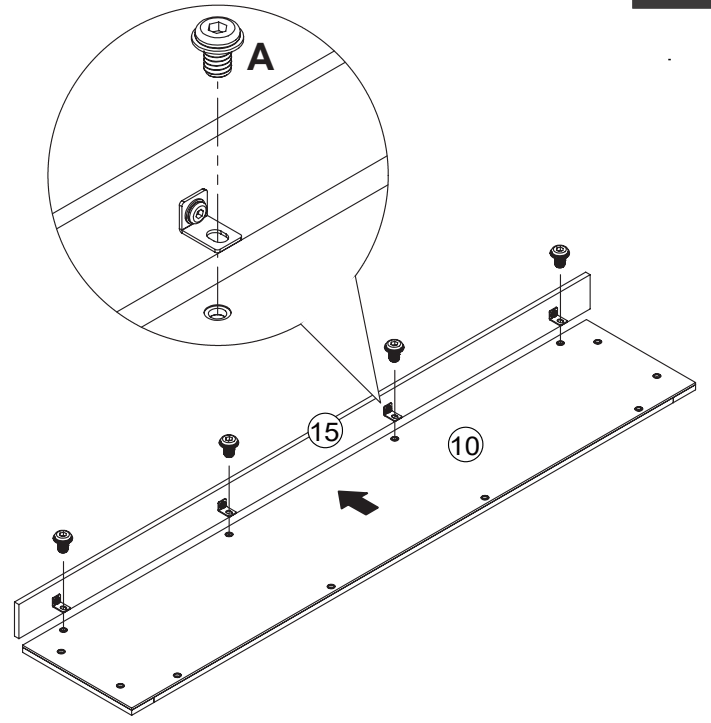
1



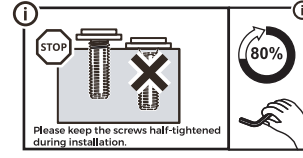
A		4pcs
M8x12		



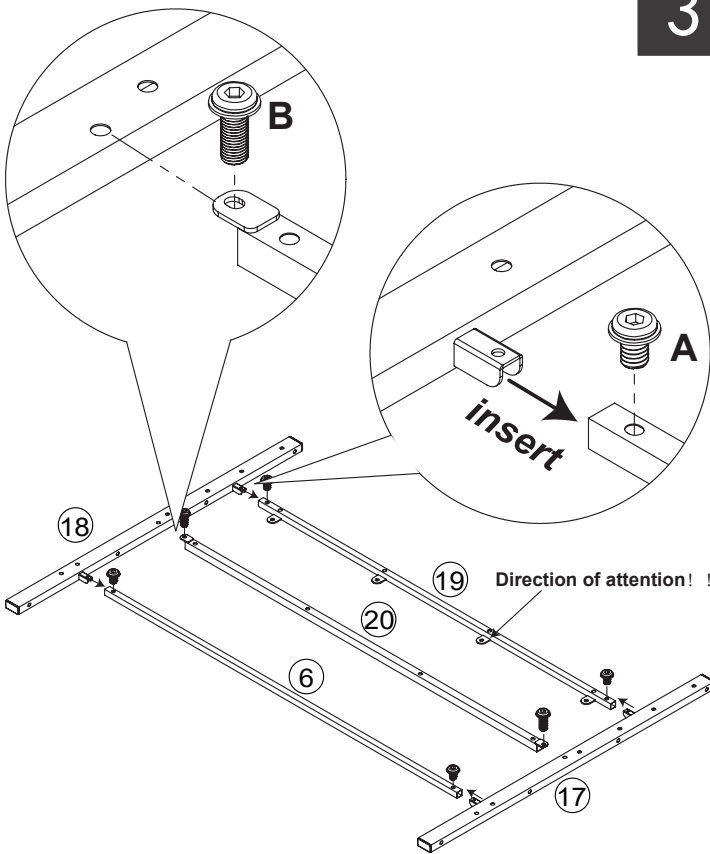
2



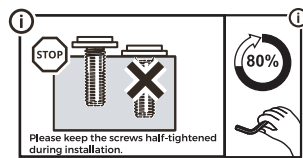
A		4pcs
M8x12		



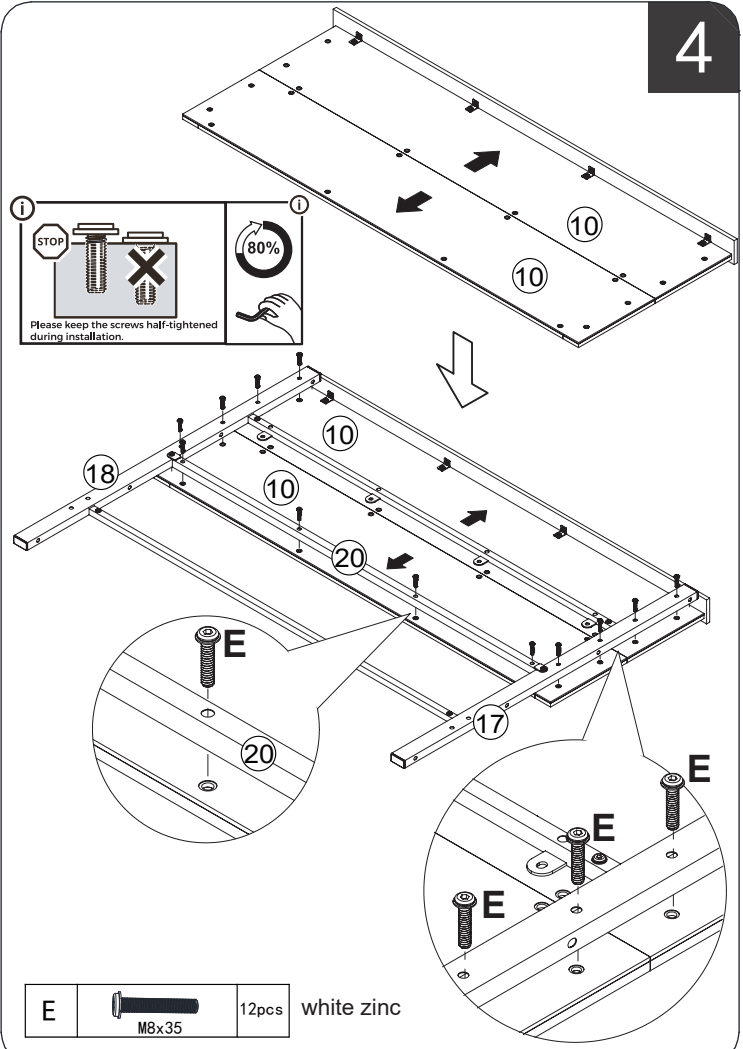
3



A		4pcs
M8x12		
B		2pcs
M8x20		

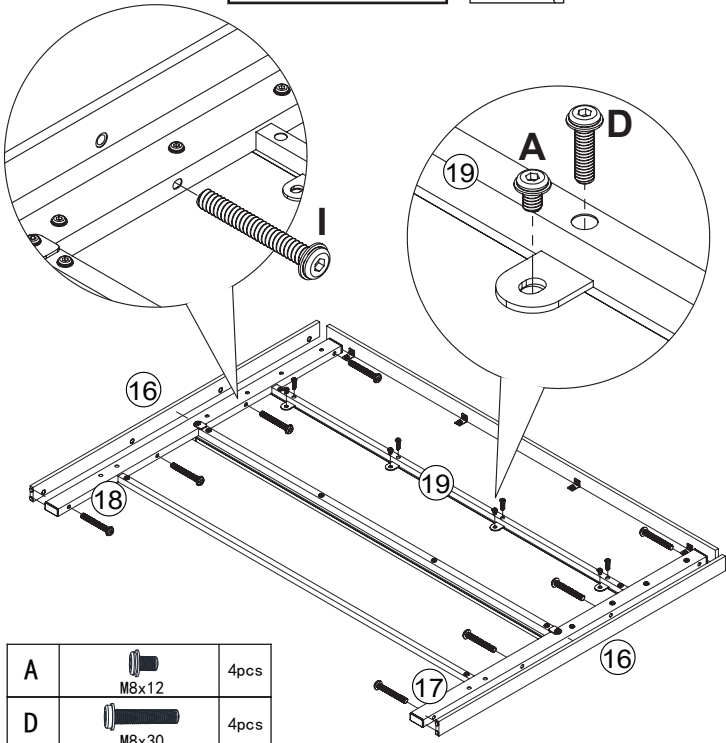
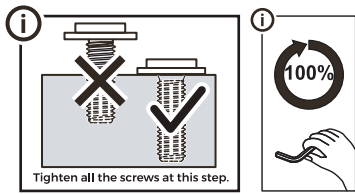


4



E		12pcs	white zinc
M8x35			

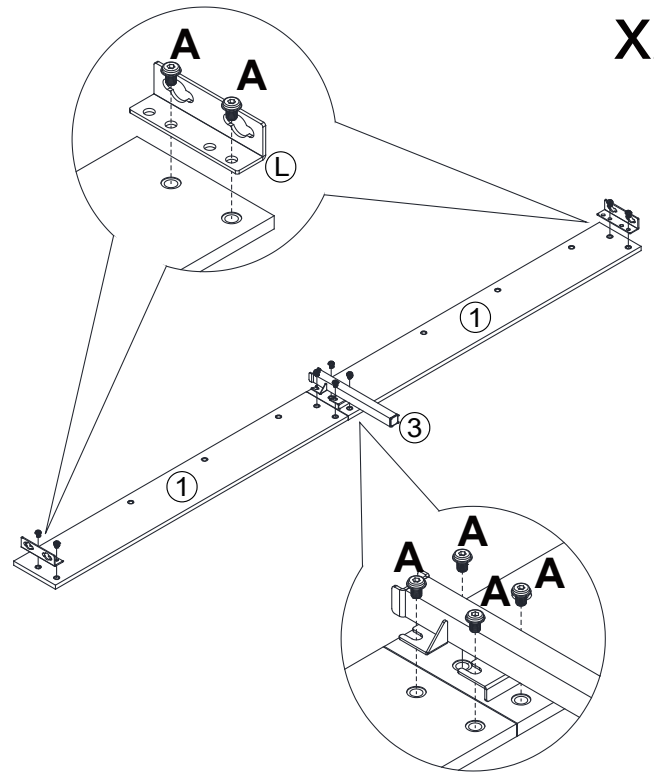
5



A		4pcs
D		4pcs
I		8pcs

6

x2



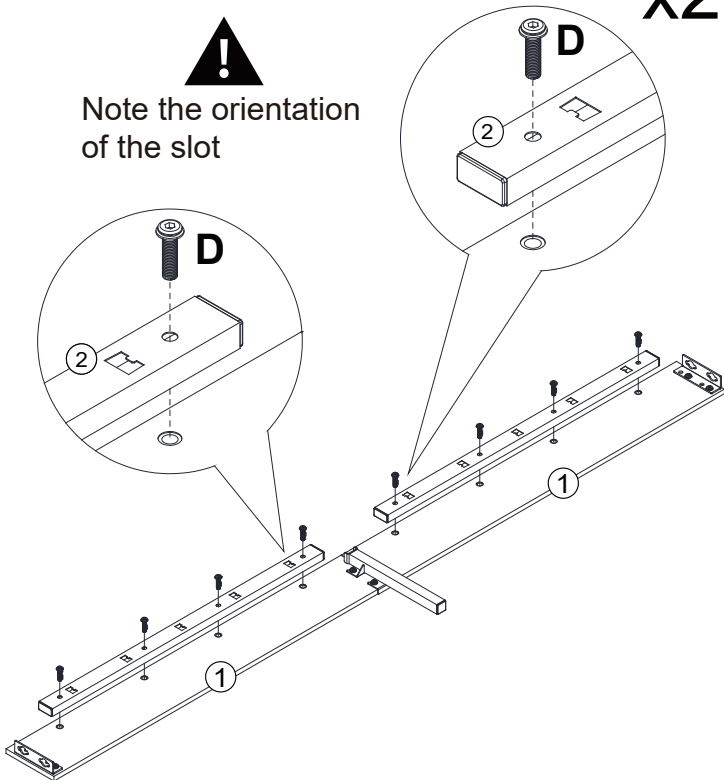
A		16pcs
---	--	-------

7

x2

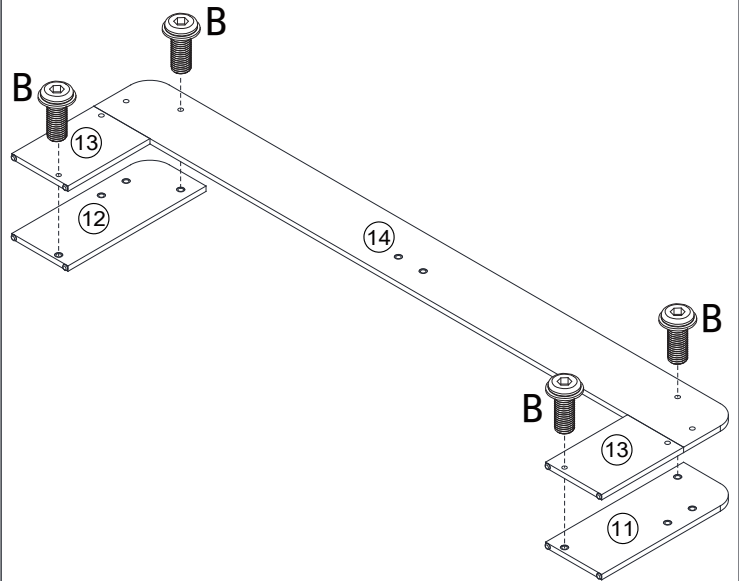


Note the orientation of the slot



D		16pcs
---	--	-------

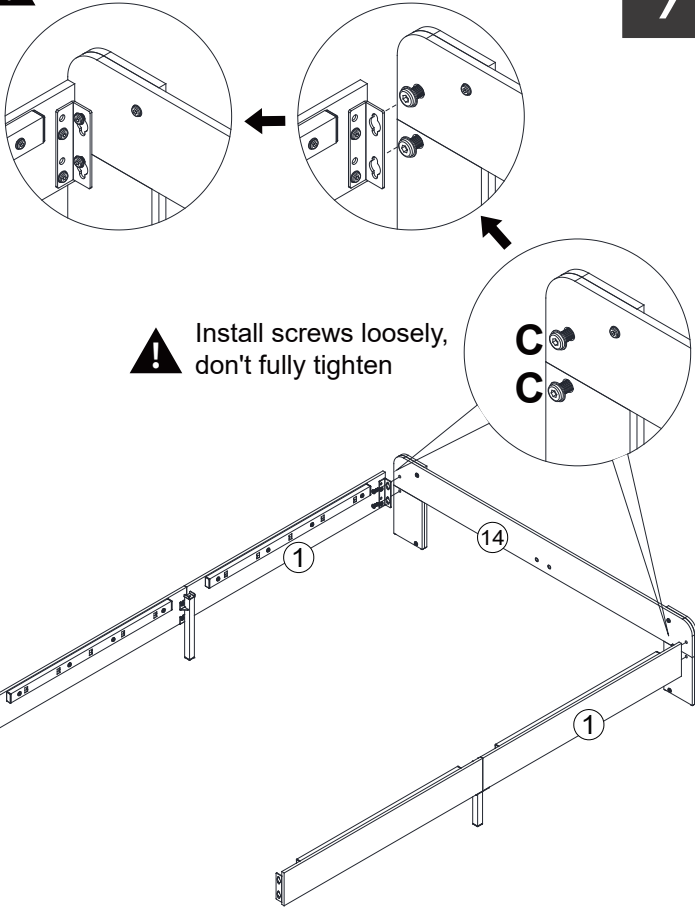
8



B		4pcs
---	--	------

! Tighten screws

9

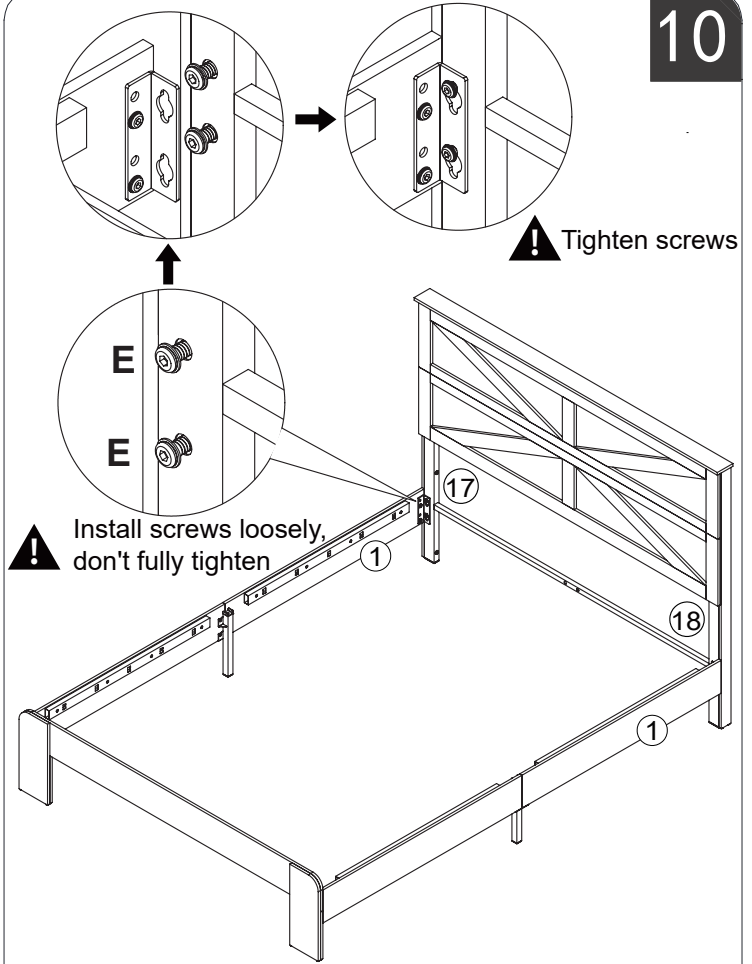


! Install screws loosely, don't fully tighten

C
C

C		4pcs	white zinc
	M8x25		

10



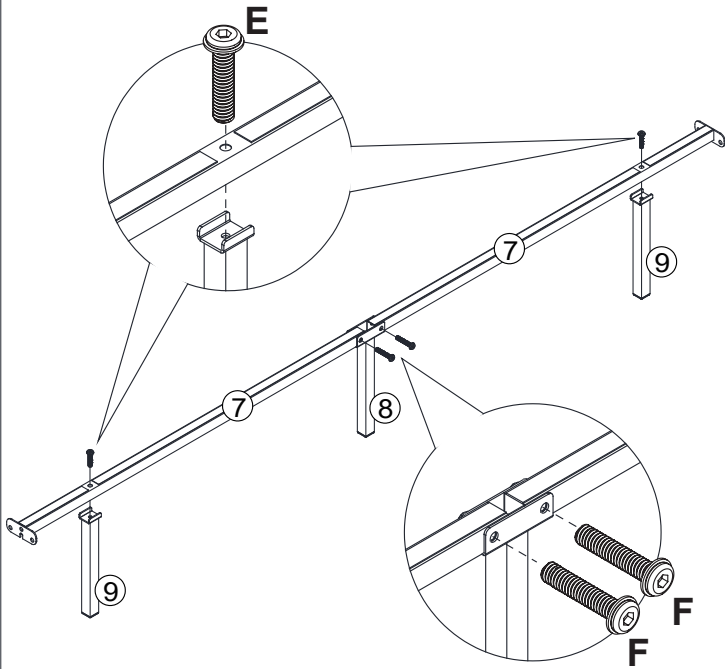
! Tighten screws



! Install screws loosely, don't fully tighten

E
E

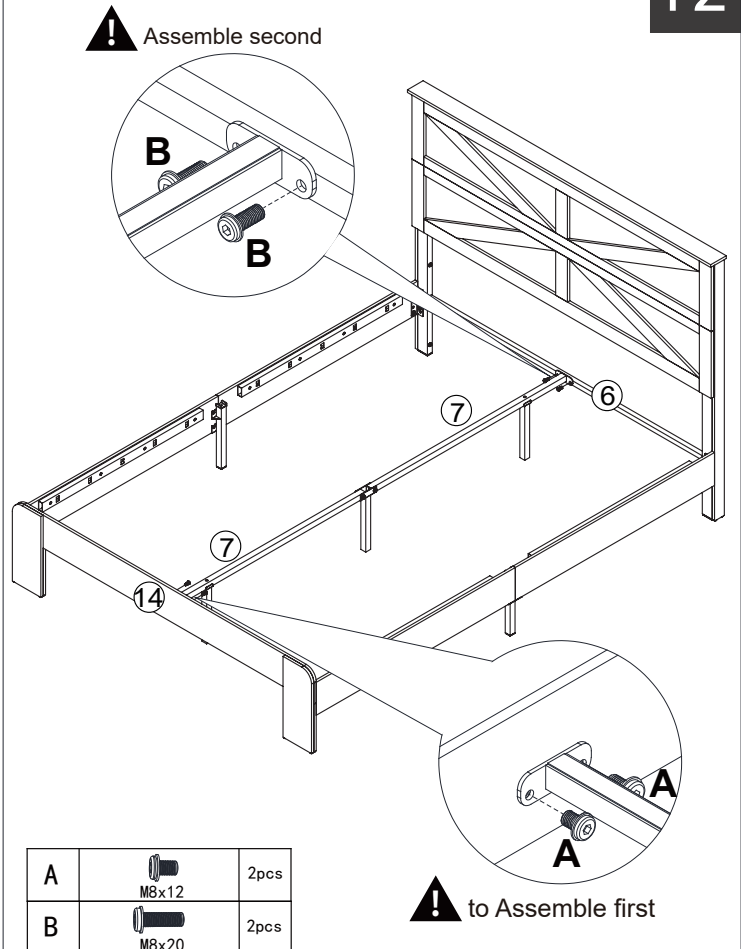
E		4pcs	white zinc
	M8x35		

11





E		2pcs	white zinc
	M8x35		
F		2pcs	
	M8x40		

12

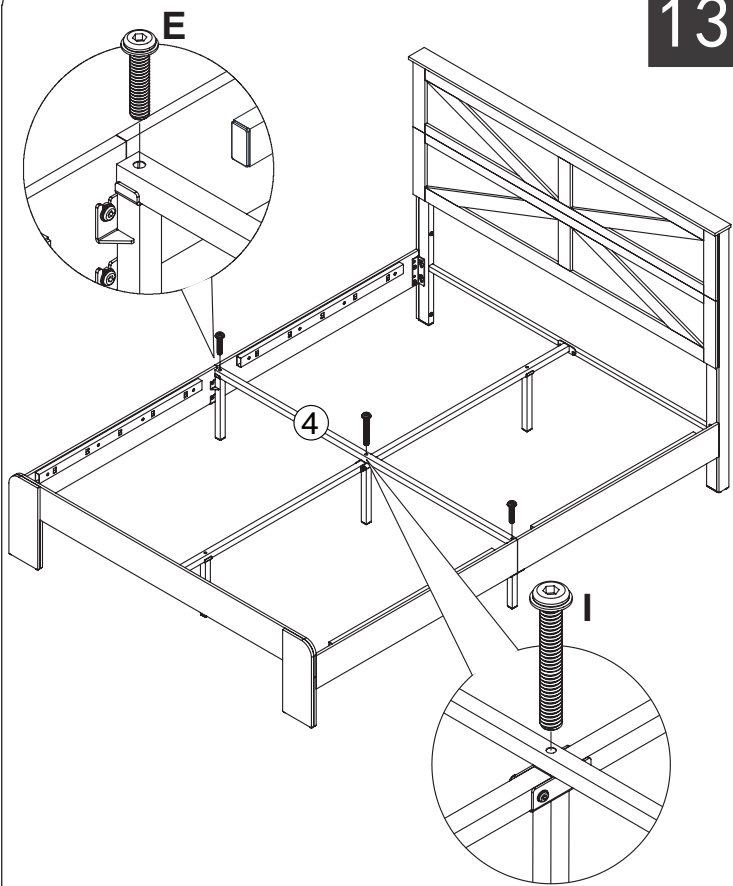




! Assemble second

A		2pcs	
	M8x12		
B		2pcs	
	M8x20		

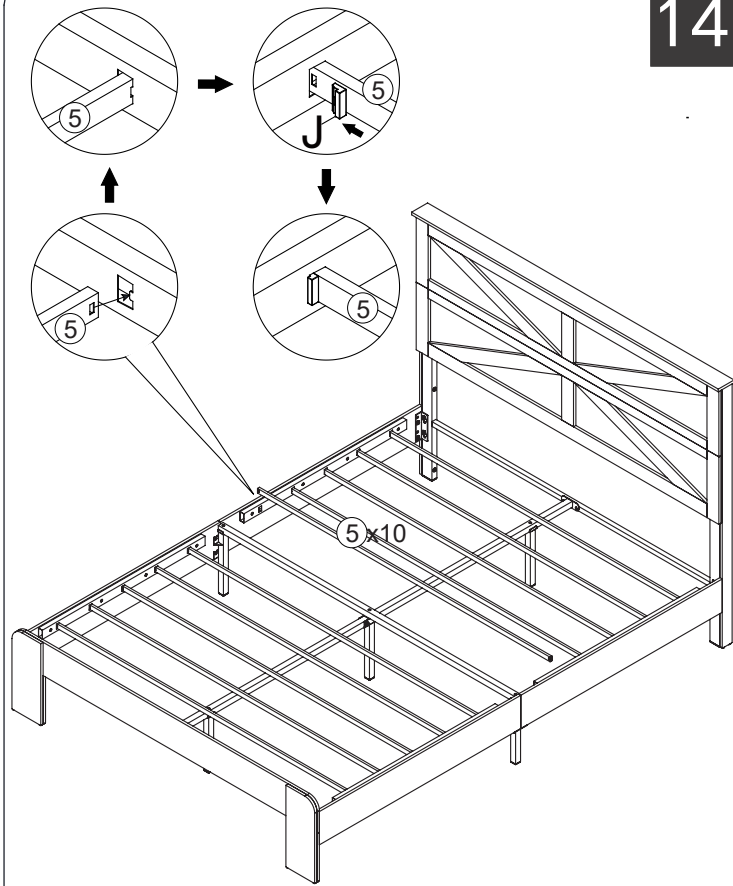
! to Assemble first

13



E		2pcs	white zinc
I		1pc	


14



J		20pcs
---	--	-------

Installation Complete



 Make sure the assembly holes are aligned.
TIGHTEN ALL THE SCREWS COMPLETELY.

