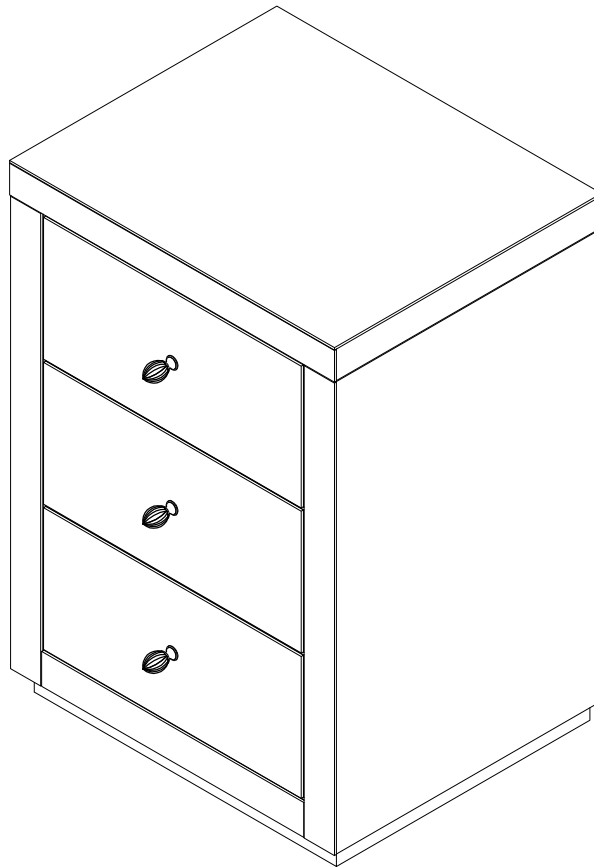


ASSEMBLY INSTRUCTIONS



Safety information

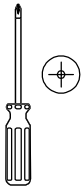
- Do not use power tools to assemble your item. Power tools may strip or damage parts/product.
- Do not over tighten connectors (screws, bolts, etc.) Overtightening can lead to product damage.
- Be sure to check all packing materials carefully for small parts that may have come loose inside the carton during shipment.
- DO NOT USE SUBSTITUTE PARTS.**
- This product should only be used on a flat, level surface.
- Assembly requires 2 people; assembly alone may cause injury.

Pre-assembly

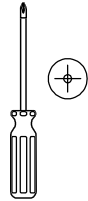
PLANNING ASSEMBLY

Keep children and pets away from build area. Make sure your area is large enough to unpack, sort and assemble the unit.

TOOLS REQUIRED



Small head
Phillips
screwdriver
(Not Included)

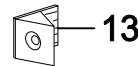
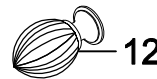
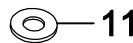
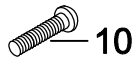
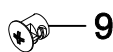
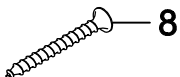
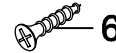
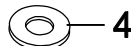
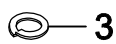
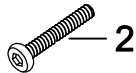
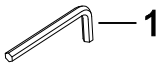


Large head
Phillips
screwdriver
(Not Included)

HARDWARE INCLUDED



NOTE: Hardware not shown to actual size.

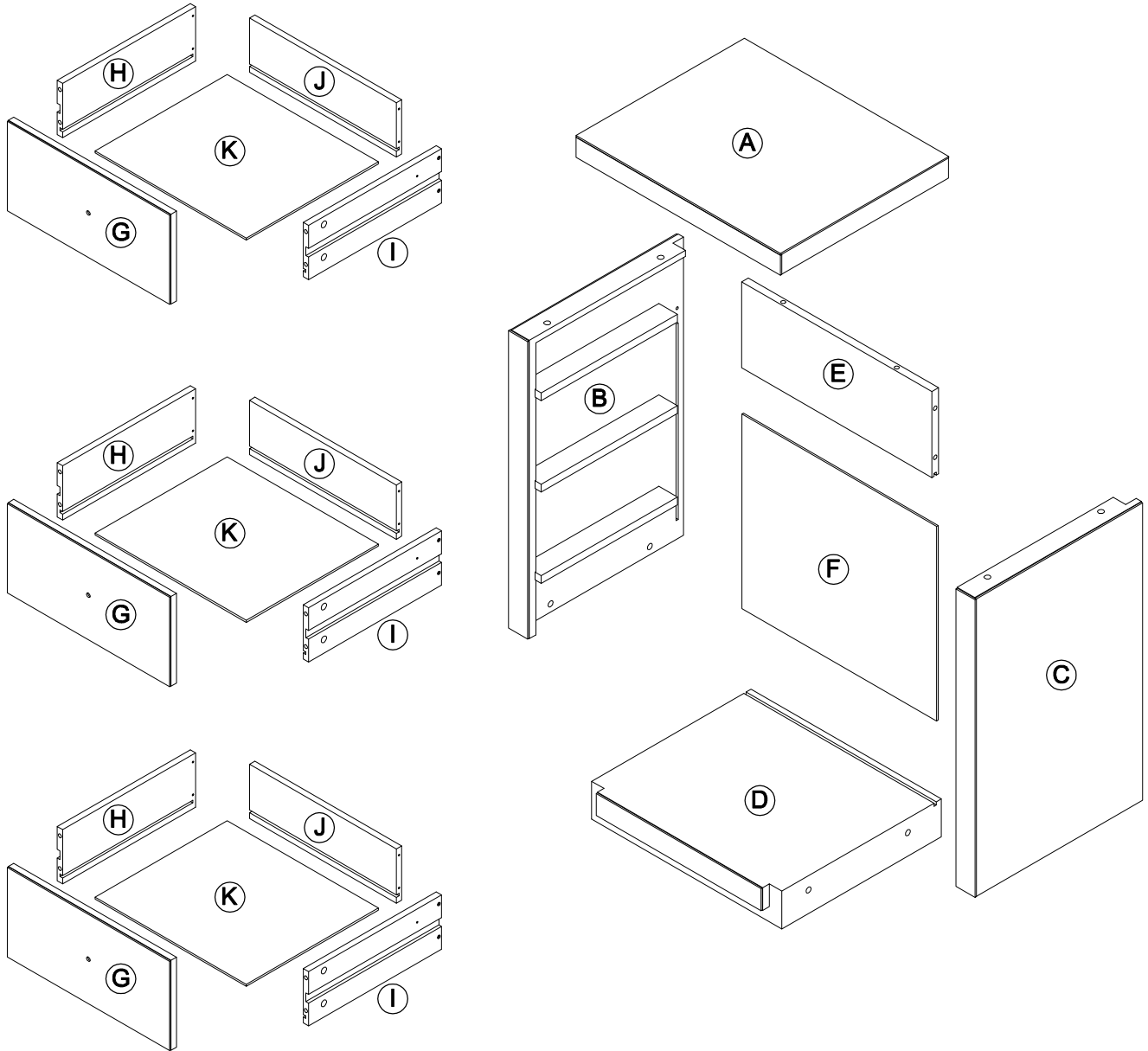


Part	Description	Quantity
1	Allen key	1
2	Hexagon socket bolt	8
3	Spring washer	8
4	Big flat washer	8
5	Cam lock bolt	18+2
6	Flat head screw (short)	6
7	Big cam lock	6+1
8	Flat head screw (long)	12+2

Part	Description	Quantity
9	Small cam lock	12+1
10	Cross head bolt	3
11	Small flat washer	3
12	Handle	3
13	Back panel fixing clip	6
14	Round head screw	6
15	Drawer barrier sheet	6

Pre-assembly(continued)

PACKAGE CONTENTS

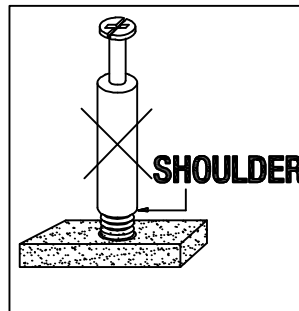
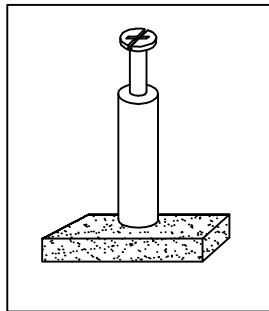


Part	Description	Quantity
A	Top panel	1
B	Left side panel	1
C	Right side panel	1
D	Bottom base	1
E	Cross brace on back panel	1
F	Back panel	1

Part	Description	Quantity
G	Drawer front panel	3
H	Drawer left side panel	3
I	Drawer right side panel	3
J	Drawer back panel	3
K	Drawer bottom panel	3

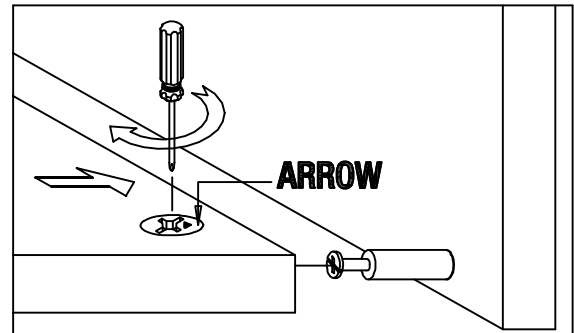
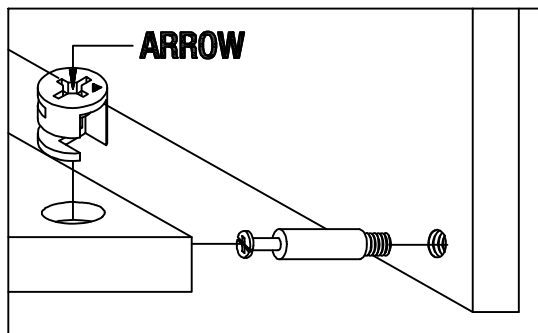
Notification

NOTE: UPON OPENING THOROUGHLY CLEAN ALL WOODS SURFACES TO REMOVE DUST AND DIRT THAT MAY HAVE SETTLED ONTO FINISH DURING SHIPMENT. IN ORDER TO PREVENT DAMAGE DURING ASSEMBLY, PLEASE ASSEMBLE THIS ITEM WITH AT LEAST TWO PEOPLE. SINCE THIS ITEM IS MADE OF MIRROR, IT IS STRONGLY ADVISED TO CONDUCT THE ASSEMBLY ON THE SOFT MAT OR CARPET TO PREVENT ANY DAMAGE OR INJURY.



NOTE: TURN THE CAM-BOLT SCREWS UNTIL THEY ARE TIGHT, THE SHOULDER SHOULD BE AGAINST THE SURFACE OF THE PART.

HOW TO USE THE CAM TOOL

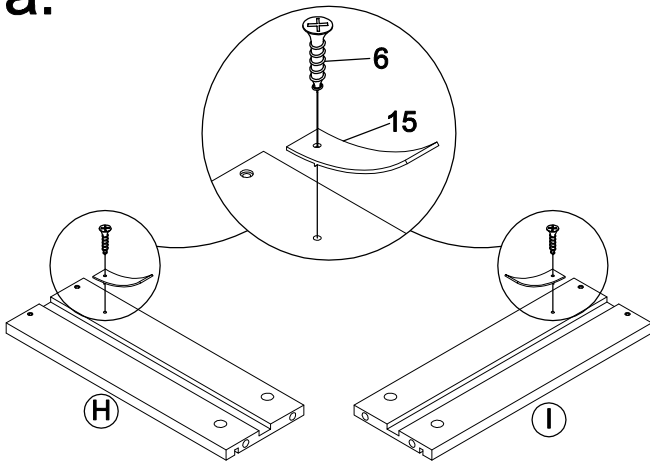


● **NOTE: THE ARROWS ON THE HIDDEN CAM-LOCKS SHOULD POINT TO THE CAM-BOLTS.**

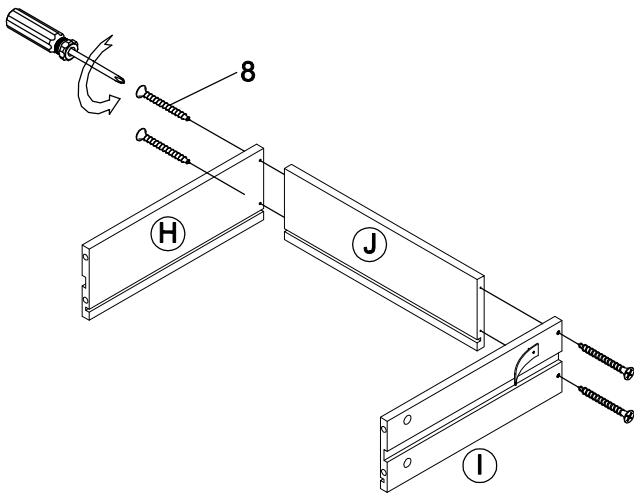
Assembly

1 Assemble drawer

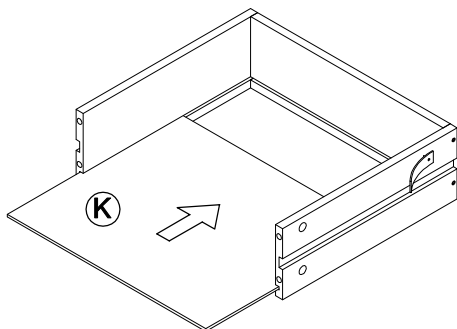
a.



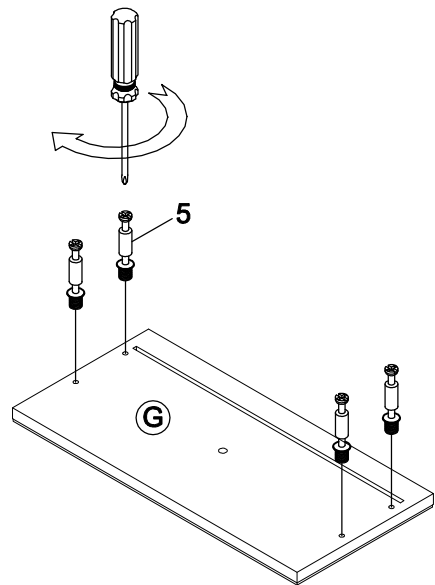
b.



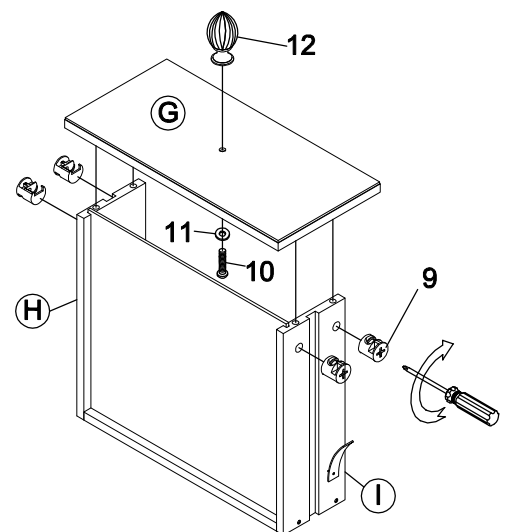
c.



d.



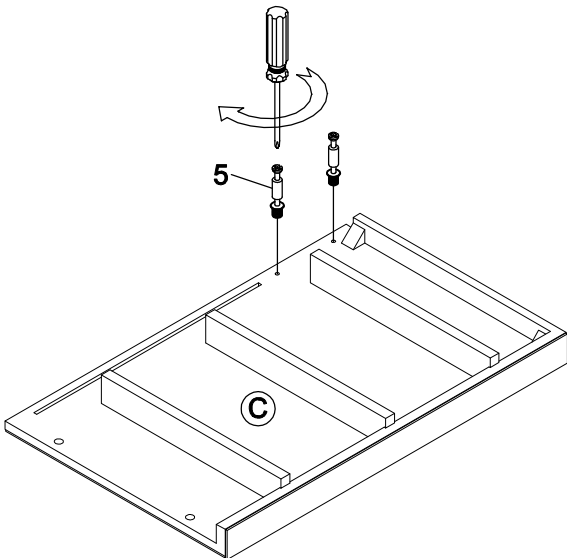
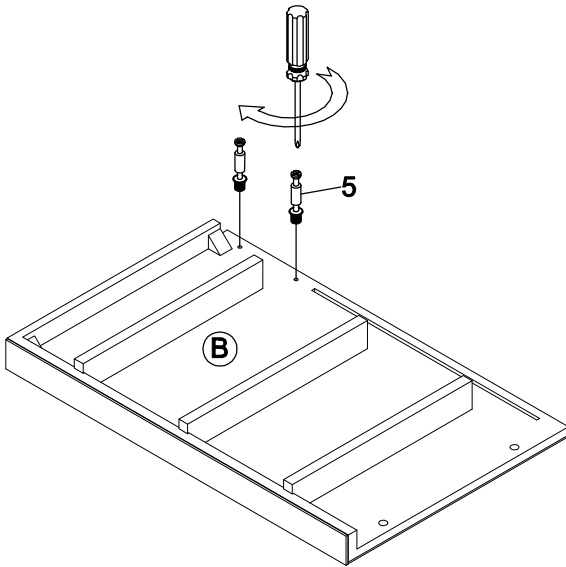
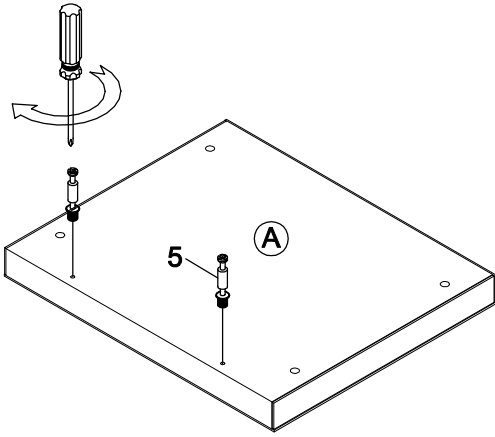
e.



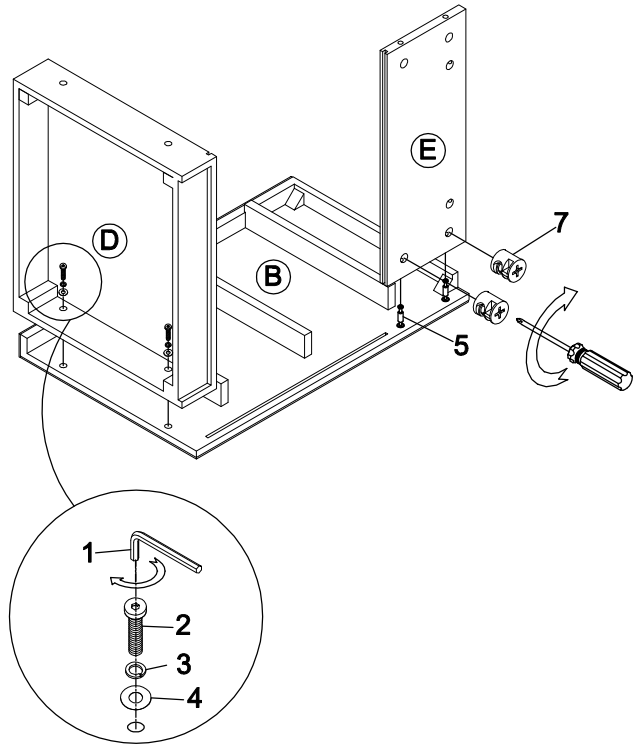
Assembly

2 Assemble the body frame

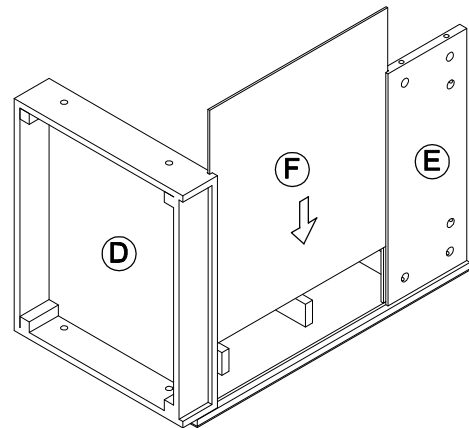
a. Tighten cam lock bolt (5) as illustration below.



b. Connect bottom base (D) and Cross brace on back panel (E) with left side panel (B) and tighten.

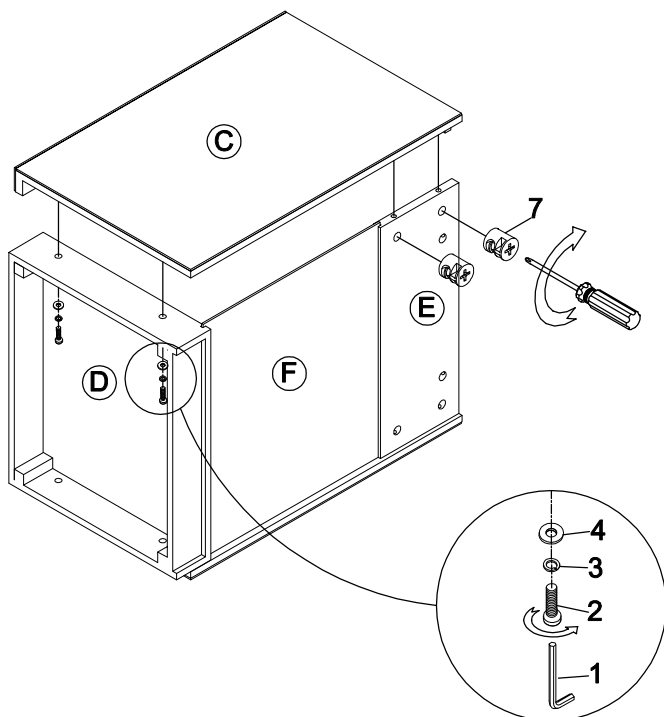


C. Insert back panel (F).

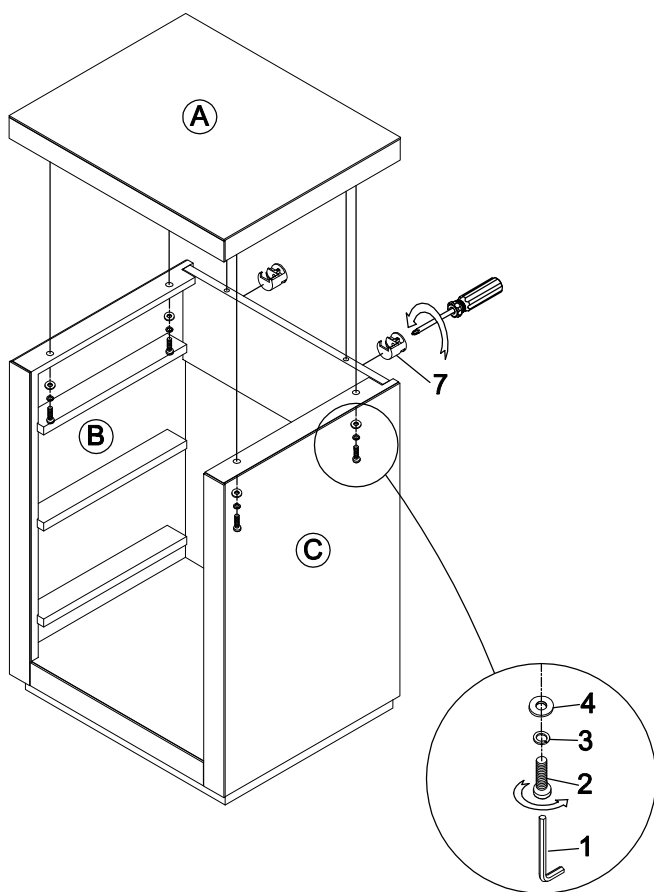


Assembly Continued (body frame)

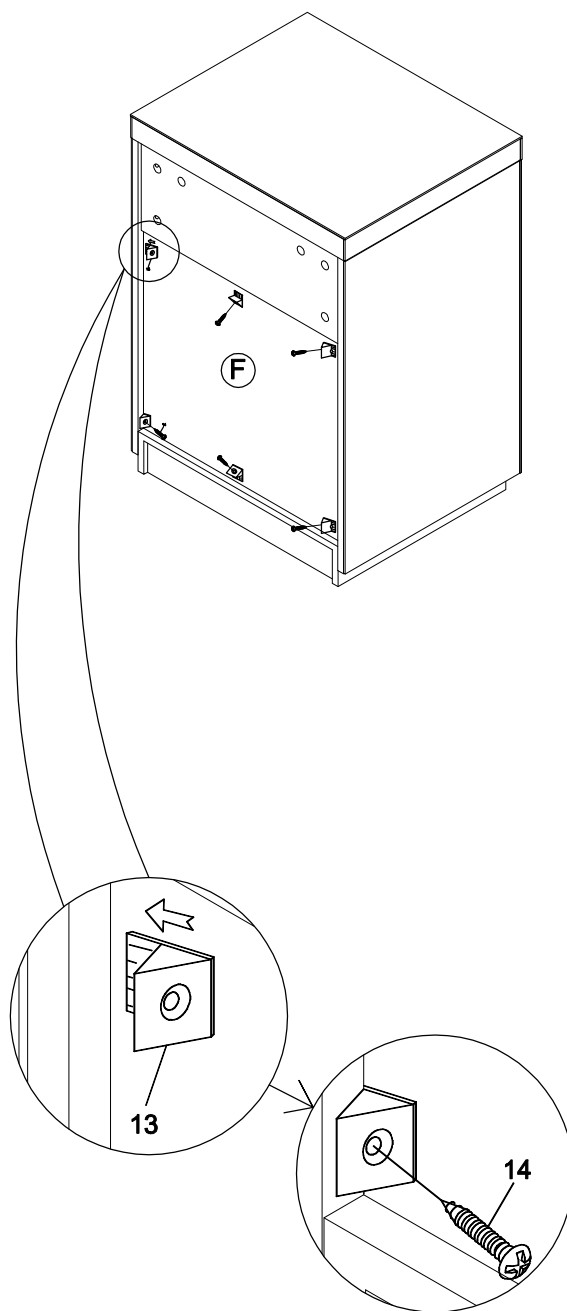
d. Fix right side panel (C).



e. Install top panel (A).



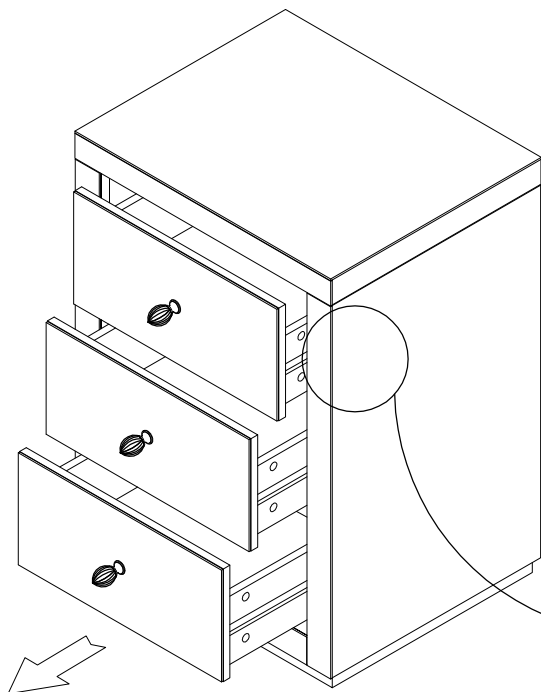
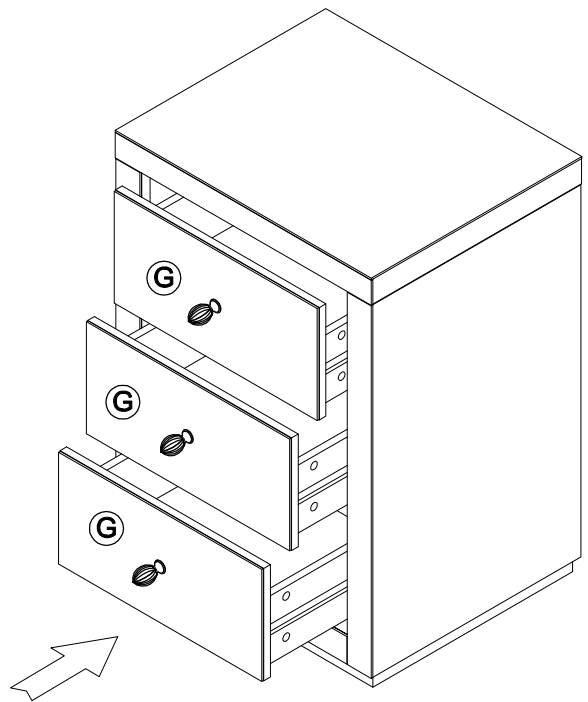
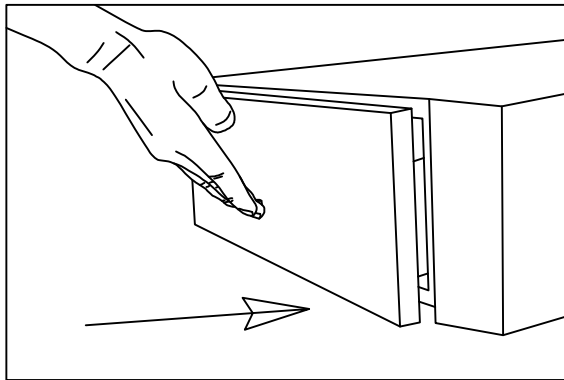
f. Fix back panel as illustration below.



Assembly

3 Inserting the drawer

- insert Drawers into the assembled body as shown.



THE DRAWER BARRIER SHEET IS FUNCTIONED AND DRAWER IS NOT PULLED OUT WHEN YOU ROTATE IT 180° AS ILLUSTRATION BELOW.

NOTE: ROTATE IT 180° BACK TO THE ORIGINAL POSITION IF YOU WANT TO TAKE OUT THE DRAWER.

