



# Pop-Up Drain

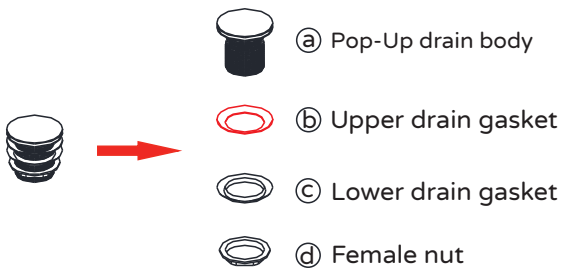
Model # PT-PUD10-BN, PT-PUD10-CH, PT-PUD10-MB, PT-PUD10-ORB, PT-PUD10-WH

## Installation Instructions

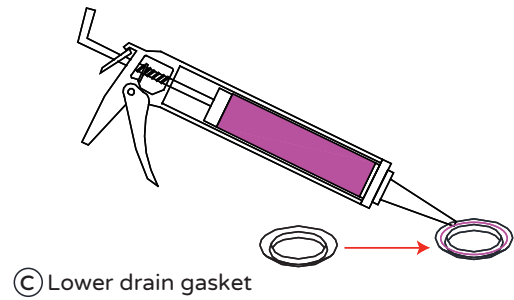
Tools (Not Included):  
Sealant  
Wrench

Parts Included:  
Drain

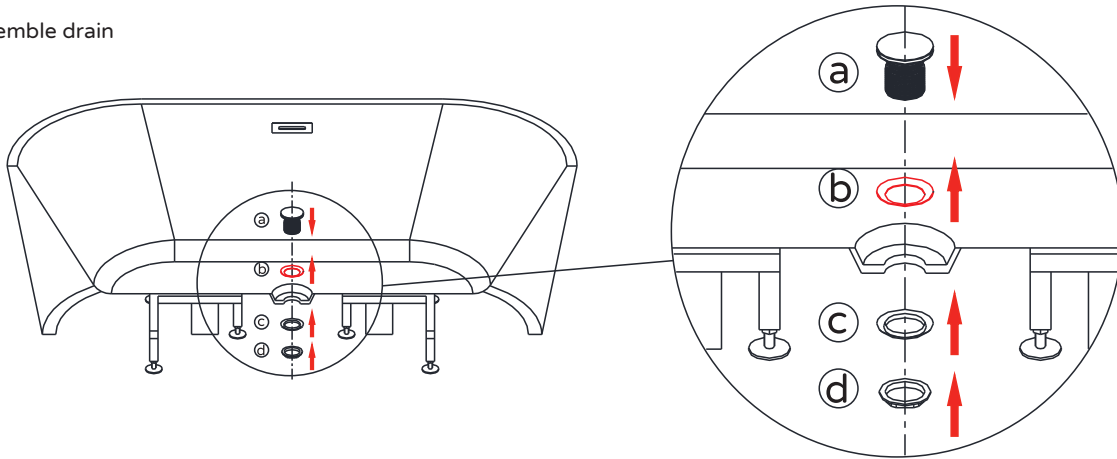
1 Remove drain assembly and disassemble parts a-d



2 Apply sealant to lower drain gasket



3 Assemble drain



4 Tighten Up

