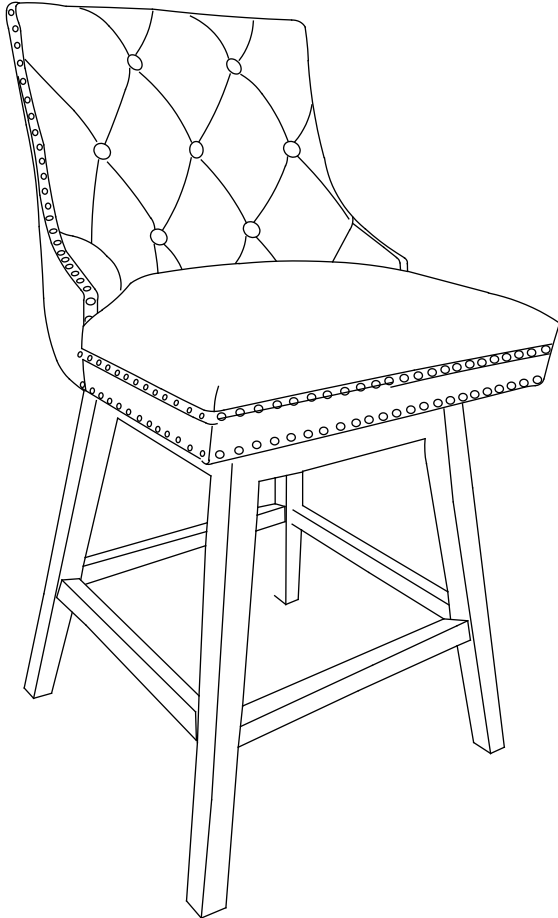
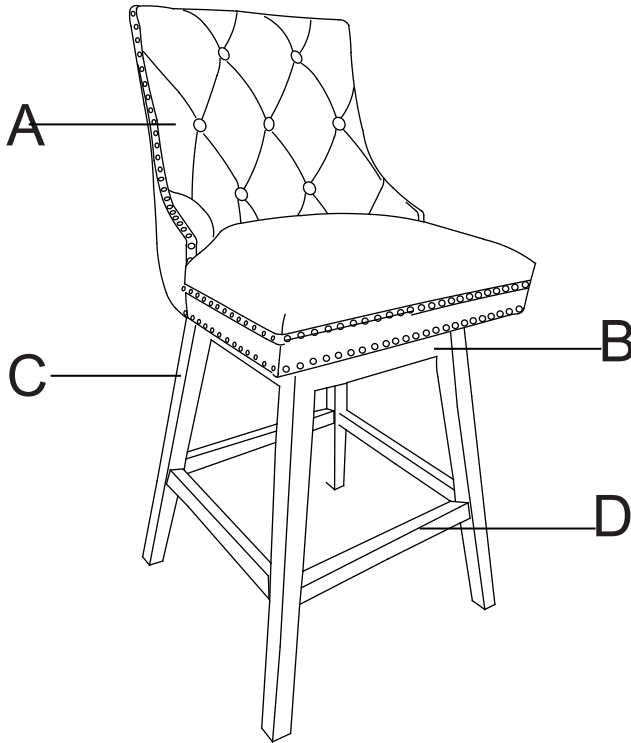



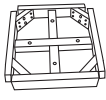
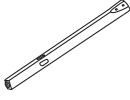
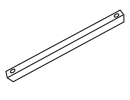







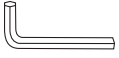
Swivel Bar Stool

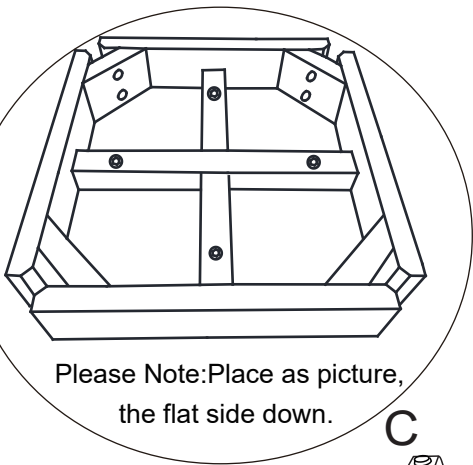


Assembly Instructions

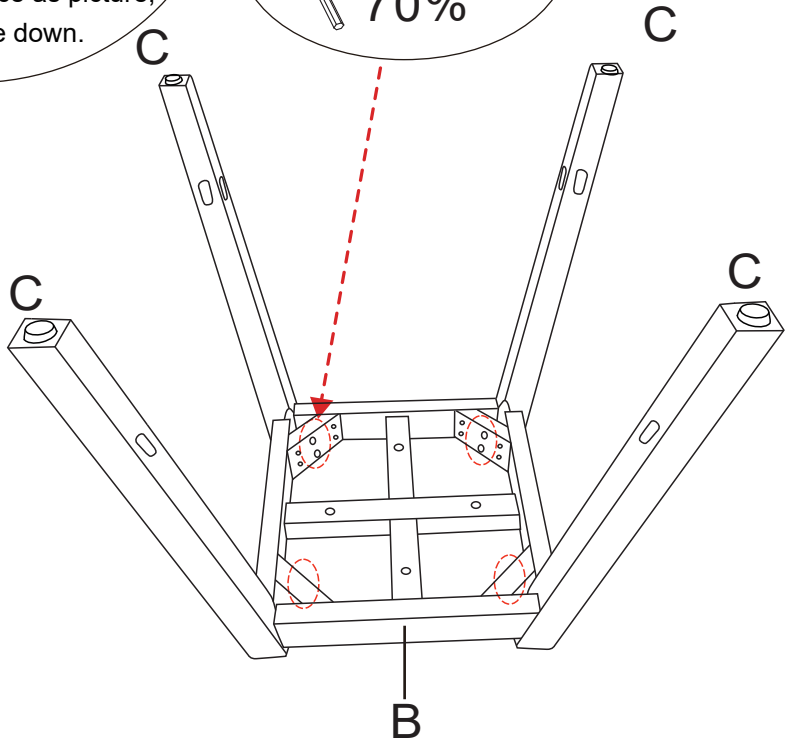
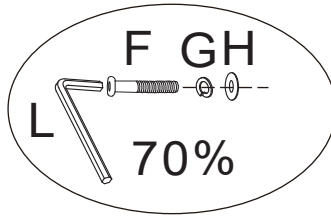
- Please read carefully all instructions before assembly.
- For your safety and ease, assembly two or more adults is recommended.
- Please remain these instructions for future reference.



A×1 	B×1 	C×4 	D×4 	E×1 	F×8  M8*65mm
G×8  M8	H×8  (φ8+φ22)*1MM	I×8  M6*20MM	J×8  M6*35MM	K×8  (φ6+φ14)*1MM	L×1  M6



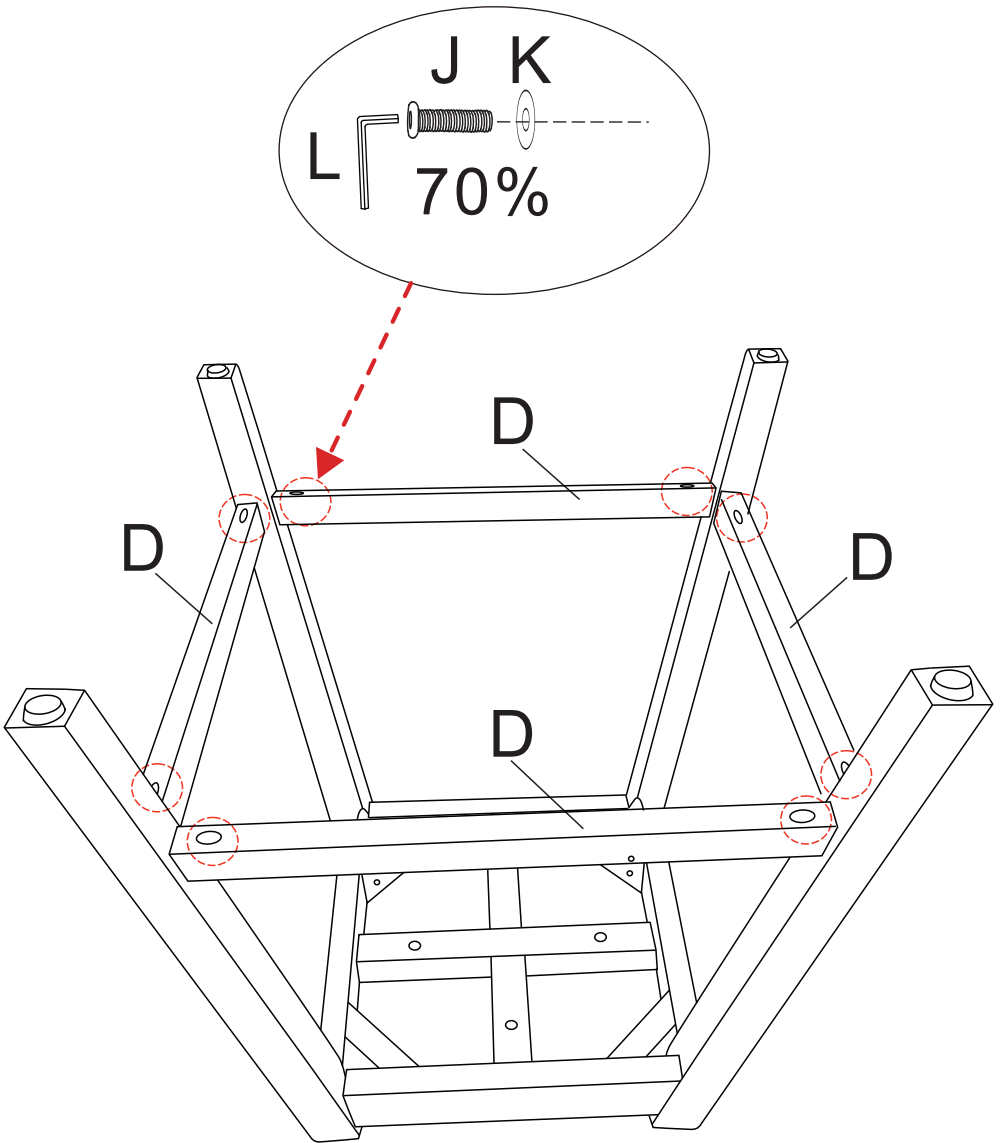
Please Note: Place as picture,
the flat side down.



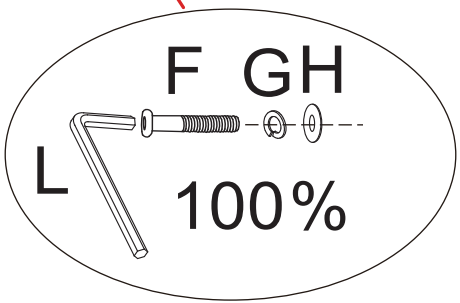
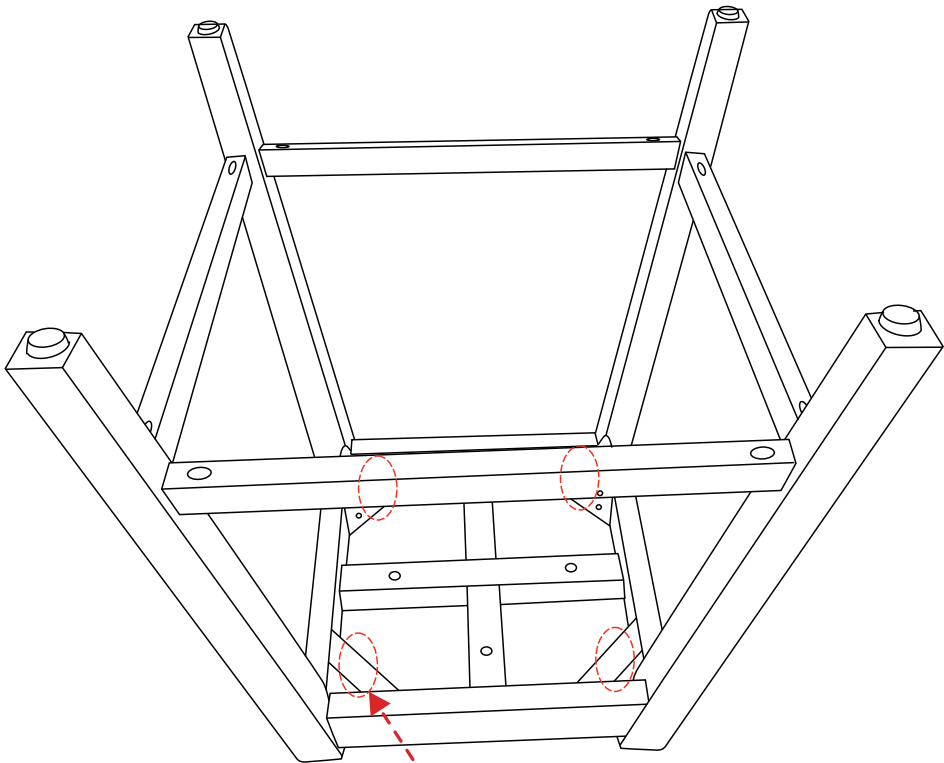
Step 1: Unpack and place out all the pieces on a clean, non-marring surface.

Step 2: Prepare the bolts-Insert (G) and gasket (H) into Bolt (F).

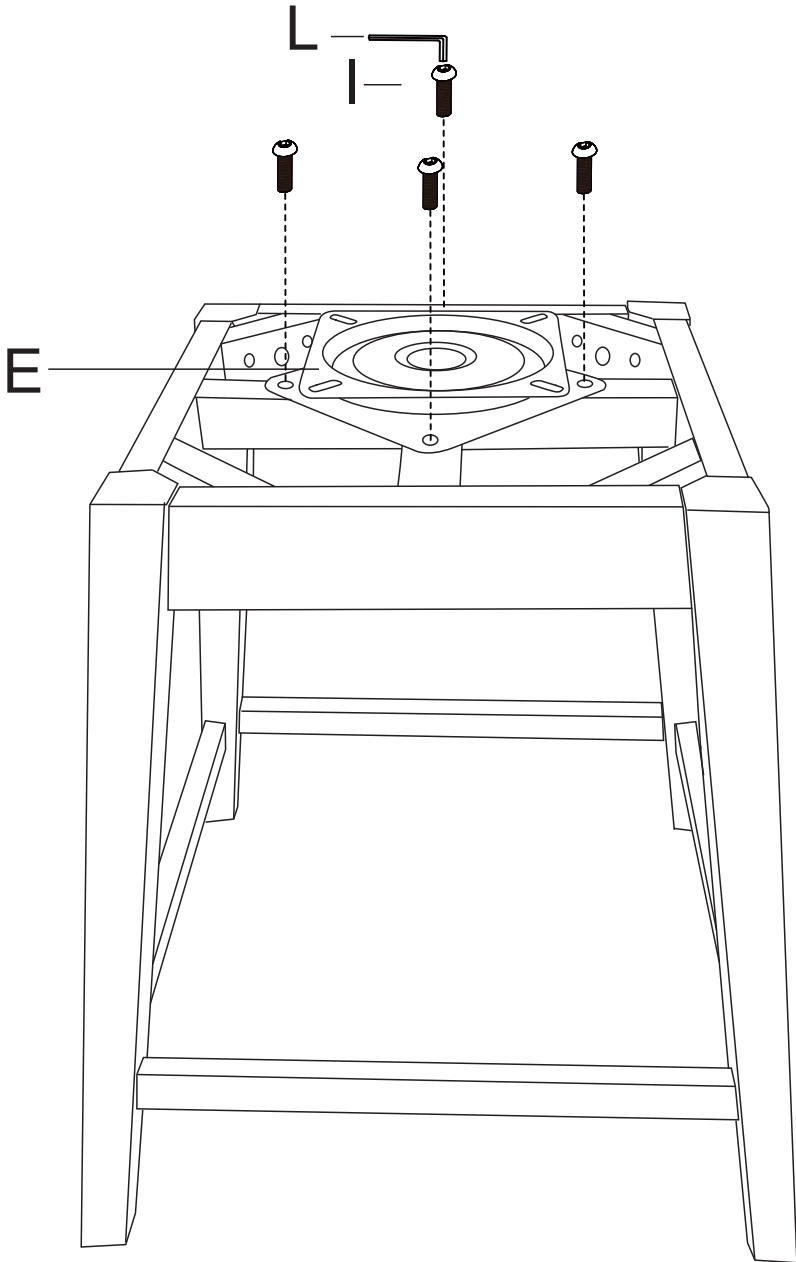
Step 3: Attach the legs (C) and base (B) by using M8*65mm Bolt (F).
Tighten the bolts to 70% using the provided Allen wrench (L),
do not tighten completely.



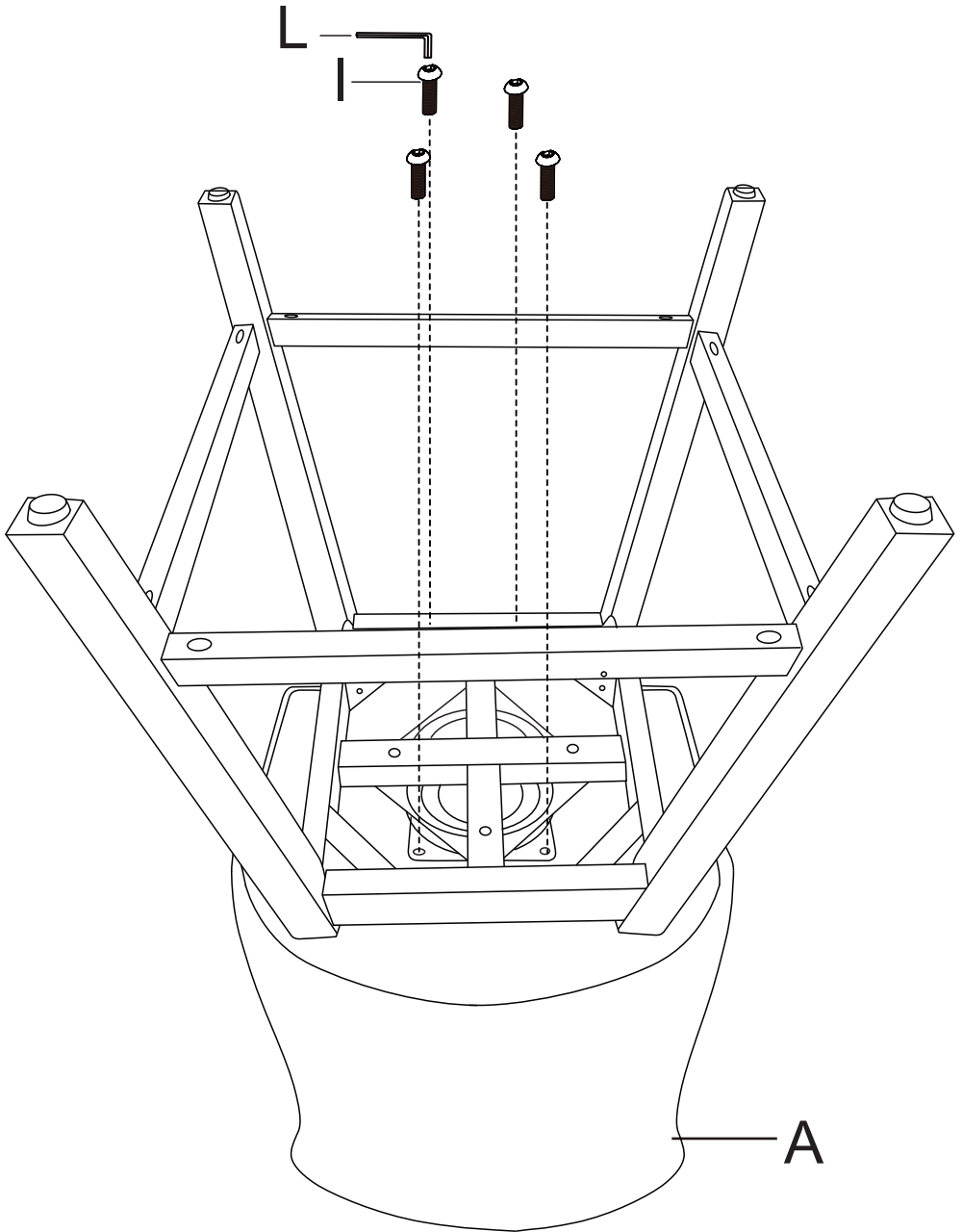
Step 4: Make sure Parts C and D are properly aligned.
Tighten each Bolt (J) to approximately 70% at first.
After all eight bolts are partially secured, go back and fully tighten each one to 100%.



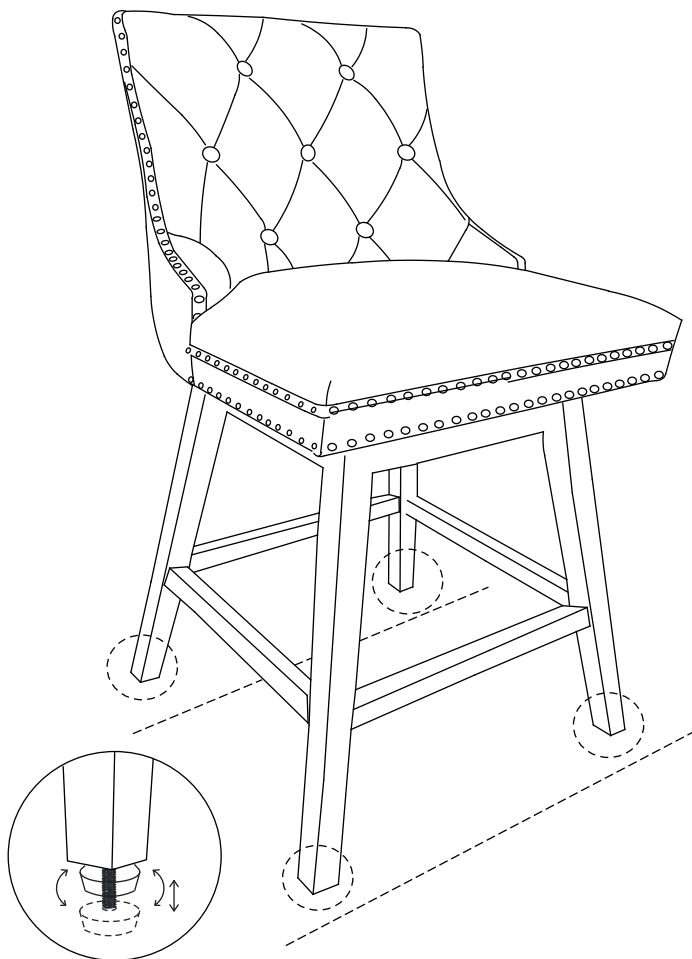
Step 5: Return to step 3 and tighten the M8*65 mm Bolt (F) completely using the Allen wrench (L).



Step 6: Confirm the swivel Mechanism(E) can rotate 360°. Attach the Swivel Mechanism(E) to the assembled Leg Frames(B&C&D) in step 5. Use four M6*20mm Bolts(I) and screw them firmly with Wrench(L).



Step 7: Place the Chair upside down on a table.
Attach the Seat (A) to the assembled Leg Frames(B&C&D)
in step 6. Use four M6*20 mm Bolts(l) and screw them firmly with
Wrench(L).



Adjust the adjuster bolt to keep the chair level again

Step 8: Turn over the barstool and it is ready for use.
Adjust the adjuster bolt to keep the chair level again.
Enjoy your new barstool.