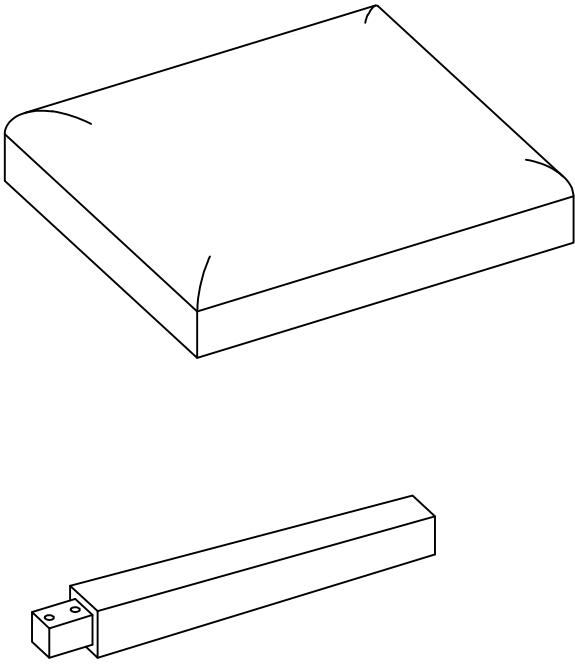
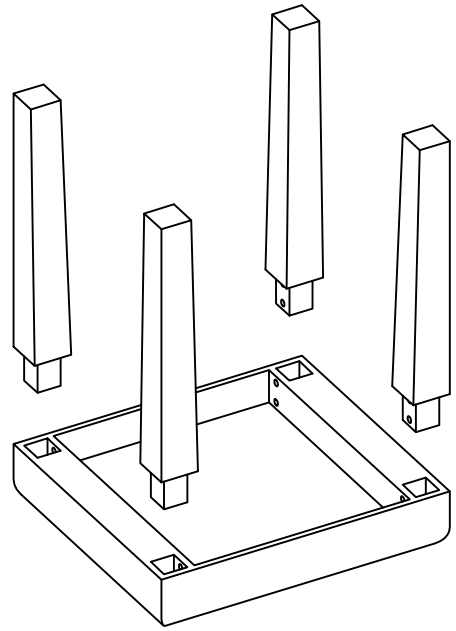


# ASSEMBLY INSTRUCTION

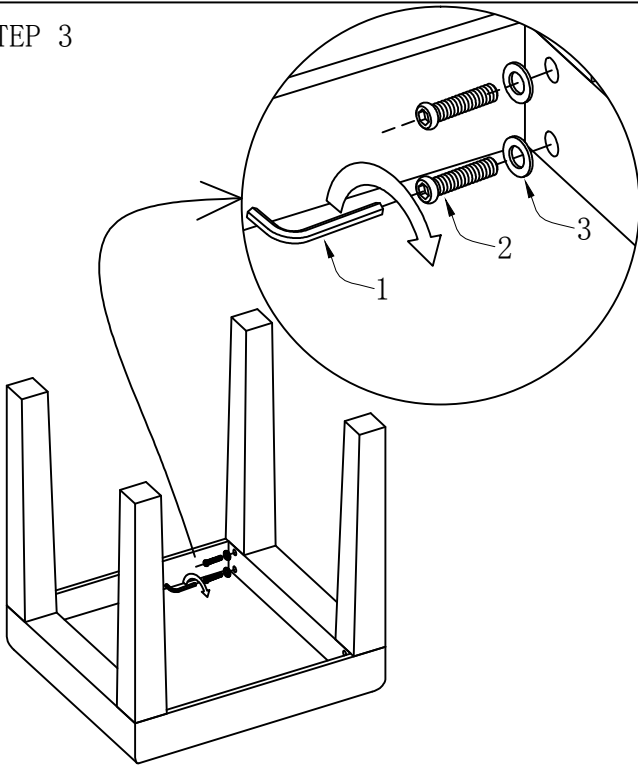
STEP 1



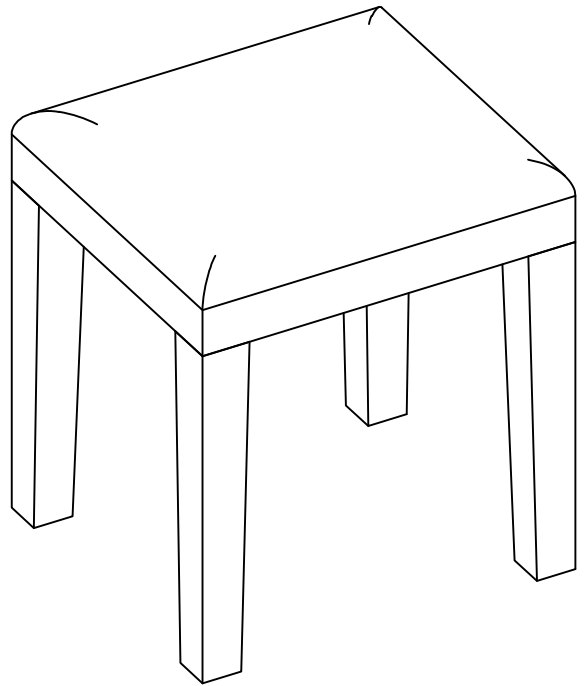
STEP 2



STEP 3



STEP 4

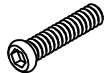


1



1PC

2



8PCS

3



8PCS