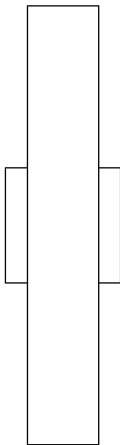




LED Outdoor Wall Light

SKU: HOWL22T
[Instruction Manual]



Please pay attention to the warning signs
Read the instructions with caution before operating
and keep it properly

Warning:

Risk of fire. Min 75°C supply conductors. Consult a qualified electrician to ensure correct installation. Before installation, please turn off the main power of the circuit breaker to prevent possible electric shock.

Packing list

Part	Description	Quantity
1	LED Wall light	2pcs
2	Wire Connectors	6pcs
3	Self Tapping Screw	8pcs
4	Plastic Anchor	8pcs
5	Mounting Screw for J-BOX	4pcs
6	Mounting Plate	2pcs
7	Instruction Manual	1pc

Specifications

- Input Voltage: 120-277VAC, 60Hz
- LED light: 24W, 1699LM, 3CCT (3000K/4000K/5000K)
- CRI: ≥ 90
- Function : 120V TRIAC Dimming(Dimming range:10%-100%)
- Material: iron, PC, aluminium
- Dimensions: 31.5"(H) x 4.13"(W) x 2.16"(D)

Installation Instructions

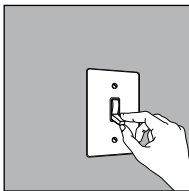


FIG.1 WALL SWITCH

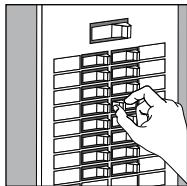


FIG.2 BREAKER PANEL

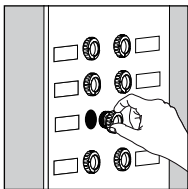


FIG.3 FUSE BOX

NOTE: PLEASE INSTALL THIS WALL LANTERN 1.2 METERS 3.94 FEET ABOVE THE GROUND

STEP 01: POWER OFF

FIG.1. Turn the wall switch to the "OFF" position. Depending on which type of fuse box in your home;

FIG.2. Either turn the main (Master) switch to the "OFF" position to cut off the power supply of the entire home, or turn off the individual switch that supplies power to the fixture installation location.

OR

FIG.3. Either turn the main (Master) switch to the "OFF" position to cut off the power supply of the entire home, or unscrew the fuse that supplies or turn off the individual switch that supplies power to the fixture installation location.

STEP 02: INSTALL THE MOUNTING PLATE

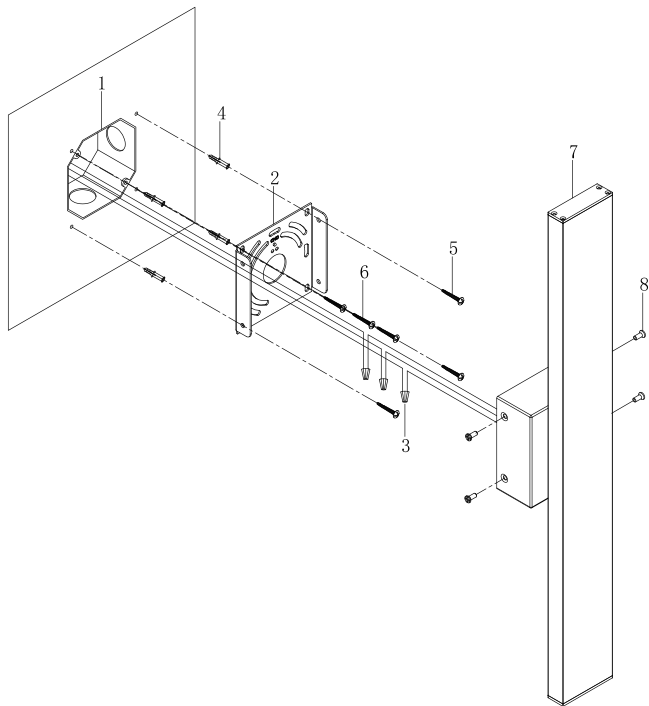
Unscrew the fixture screws(8) and remove mounting plate(2) first, then install the mounting plate to the junction box(1) (not included) in the wall with expansion screws(4) and mounting screw(5). Make sure that the wire can pass through the center hole of the mounting plate from the inside of the junction box(not included).

STEP 03: CONNECT THE WIRE

Connect the fixture wires to the internal wires from the junction box (not included) with the wire connectors(3). Make sure that the wires are connected correctly. Black wire to live wire, white wire to neutral wire, ground wire to ground wire. Wrap the ground wire around the screw on the mounting plate, then secure the screw to the mounting plate.

STEP 04: FIX THE LIGHT

Secure the light body(7) to the mounting plate(2) and tighten the fixture screws(8) on both sides. Make sure that the light body(7) is perfectly fixed and that the wires are not pinched between the mounting plate and the fixture.



NOTE:

To ensure waterproofing, please fill Sealant or Glue in all gaps where the wall and lighting fixtures are attached after fixing the light.

Instructions for use

1: Why is the color temperature of 2-pack fixtures not consistent after lighting? How to adjust to the same?

(1) Common causes: outdoor LED wall light will have a memory function, will save the user's last adjustment of the color temperature. If the two lights memory color temperature is different, after the power on will appear "color temperature inconsistent" situation. The main reasons include:

1. Misadjustment before installation: When users try one of the lights individually before installation, they may accidentally adjust the color temperature of the light (e.g. from the default 3000K warm white to 4000K neutral white), and the other one is still the default 3000K warm white after installation, resulting in inconsistency;

2. Few batch problems: due to factory production batch differences, individual lights may not be in the default state (such as factory non-3000K warm white), the color temperature is not the same after installation.

(2) Tune into consistent operating procedures:

1. Ensure that both lights are in the light state (the main switch in the "ON" position);

2. Quickly complete "Off→On→Off→On" within 1 second by clicking the switch four times;

3. Result: the color temperature of the two lights will be synchronized reset to 5000K (cool white), at this time their color temperature is the same.

2: How to adjust the color temperature?

Applicable scenarios: need to switch the color temperature of the light (3000K warm white → 4000K neutral white → 5000K cool white) .

Operating tools: To be used in conjunction with - ordinary switch (without dimming function) or - switch with dimming function (neither product includes switch).

The two switches to adjust the color temperature method is the same, the specific steps are as follows: 1. first switch off (lights off); 2. within 1 second to quickly complete the "on →off→on" operation; 3. every time

you complete the “on→off→on”, the color temperature will be switched in the following order: The first: 3000K (warm white) → light; the second: 4000K (neutral white) → light; the third: 5000K (cold white) → light; the fourth: back to 3000K (cycle); 4. Turn off the light fixture after adjusting to the desired color temperature. After being turned off for more than 10 seconds and turned on again, the light fixture will automatically return to its color temperature setting before you turned it off.

3: what color temperature and brightness is the default?

The default color temperature is 3000K (warm white) and brightness is 100% (maximum) when you turn on the power for the first time.

4: How do I keep the same color temperature and brightness every time I open it?

The lamp has a memory function: when you adjust the color temperature and brightness through a regular switch (without dimming function) or a switch with dimming function, and keep it turned off for more than 10 seconds, it will automatically return to the set state before you turned it off the next time it is turned on, without the need to readjust.

List of compatible dimmers

Brand	Model number
Lutron	DVCL-153PR (15%)
	MACL-153MLH-WH (10%)
	P-PKG1W-WH-R (7.5%)
	STCL-153PH-WH (5%)
Leviton	R11-DSL06-1TW (15%)
	R00-RNL06-0TW (10%)
	R02-DW6HD-2RW (5%)
	R68-06674-P0T (2.5%)
Legrand	RHCL453PNICCV4 (10%)
TP-link	HS220 (5%)
Commercial Electric	HPDA311CWB (15%)

One Year Limited Warranty

Supported by our professional R&D team and QC team, we provide One Year Warranty for materials and workmanship from the purchase date. Please note that the warranty does not cover damage caused by personal misuse or improper installation. Please attach your Order ID and Name so that our dedicated customer service team can help you better.



Intertek

Made in China