

Features

- VibrAcoustic calms and soothes with sound vibration technology.
- Six concealed speakers send sound waves through the water to gently massage the body.
- Four original instrumental compositions offer different levels of relaxation.
- Plug in your smart phone, tablet, or MP3 player via auxiliary-in cable. Add your own receiver to stream wirelessly via Bluetooth®*.
- Customize your experience with the high-resolution color touch screen.
- Fully adjustable volume above and below the water.
- Functions as a hydrotherapy bath when full of water and a stereo system when empty.
- Bask™ heated surface creates spa-like relaxation with soothing warmth on your back and neck.
- Three heat settings allow you to customize the surface temperature.
- Hourglass shape adds style and elegance to your bathroom.
- Tile flange helps prevent water from seeping behind wall and simplifies alcove installation.
- Textured bottom surface.
- Reversible drain.
- *The BLUETOOTH® word mark and logos are registered trademarks owned by Bluetooth SIG, Inc. and any use of such marks by Kohler Co. is under license. Other trademarks and trade names are those of their respective owners.
- 60" (1524 mm) x 36" (914mm) x 20" (508 mm)

Material

- Acrylic

Hydrotherapy

- VibrAcoustic

Installation

- Drop-in



Codes/Standards

CSA B45.5/IAPMO Z124
ASTM E162
ASTM E662
UL 1795
CSA C22.2 No. 218.2






KOHLER® One-Year Limited Warranty

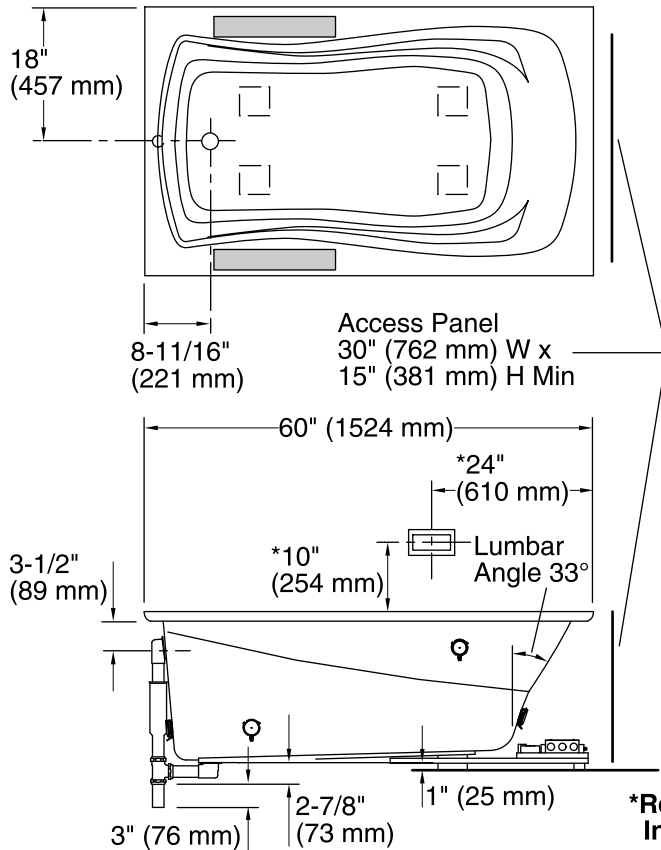
See website for detailed warranty information.

Available Color/Finishes

Color tiles intended for reference only.

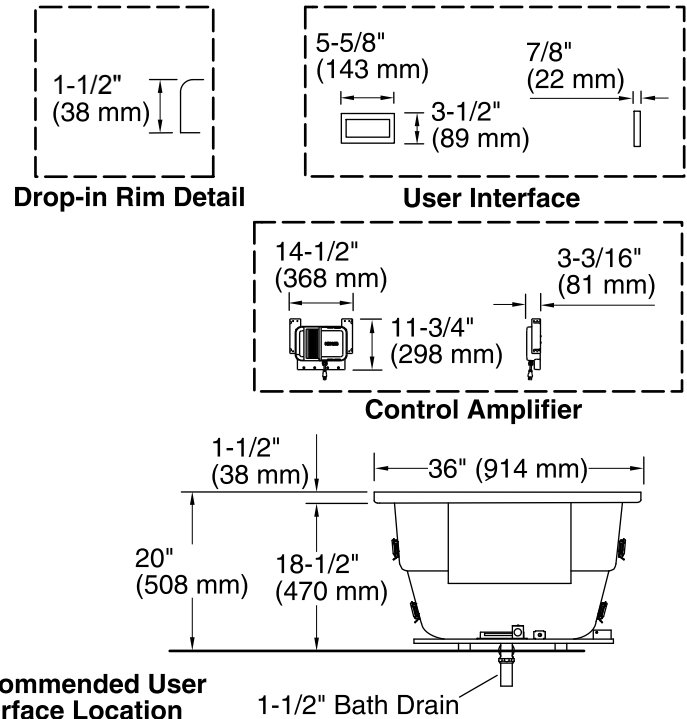
Color	Code	Description
-------	------	-------------

	0	White
	96	Biscuit
	47	Almond
	NY	Dune
	G9	Sandbar



No changes in measurements if connected with drain illustrated. (K-7161-AF)

■ Recommended Faucet Area



Required Electrical Service

One dedicated circuit required, protected with Class A Ground-Fault Circuit-Interrupter (GFCI) or Residual Current Device (RCD).

Amplifier, Heater: 120 V, 15 A, 50/60 Hz

Technical Information

All product dimensions are nominal.

Installation:	Drop-in
Drain location:	Reversible
Basin area, bottom:	46" x 24" (1168 mm x 610 mm)
Basin area, top:	54" x 24" (1372 mm x 610 mm)
Weight:	73 lbs (33.1 kg)
Minimum floor load:	41.6 lbs/ft ² (203.1 kg/m ²)
Water depth:	14" (356 mm)
Water capacity:	63 gal (238.5 L)
Cutout:	Drop-in, 58" x 34" (1473 mm x 864 mm)
Electrical rating:	Amplifier: 120 V, 50/60 Hz, 15 W Heater: 120 V, 1.1 A, 60 Hz, 65 W

Notes

Install this product according to the installation guide. Ensure that the interface, amplifier, and transducers are functional before completing the installation.

Control amplifier fits 16" (406 mm) center studs. 25' (7.6 m) cables are included.

Locate the bath within 24" (610 mm) of a GFCI-protected 120 V, 15 A grounded electrical outlet. A second grounded outlet within the wall framing must be within 24" (610 mm) of the planned control amplifier. One electrical service may be used for the entire bath and related electrical components.

If installing a rim mount faucet, make sure any plumbing does not interfere with the drain overflow before drilling any holes. Consult local and national codes for minimum air gap requirements if installing a spout on the faucet deck.