
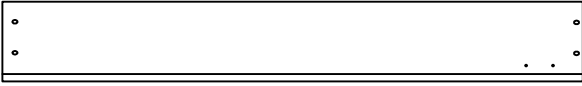
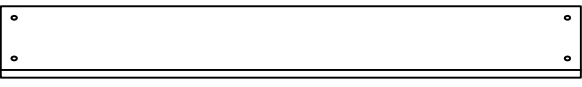
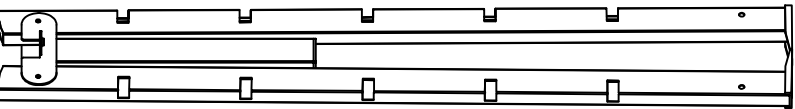
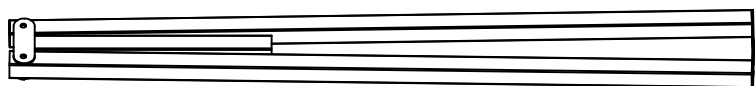
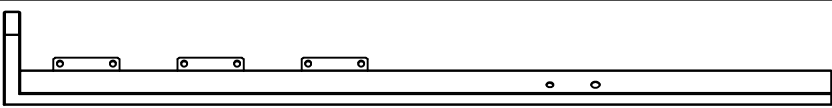
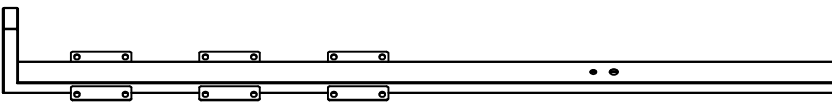
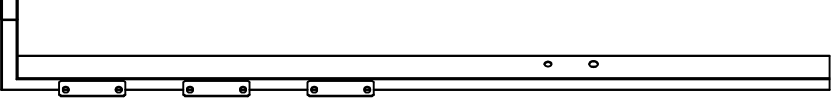
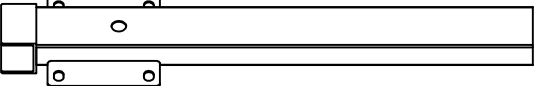


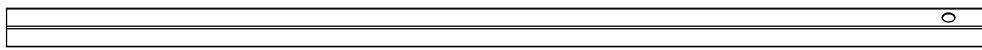
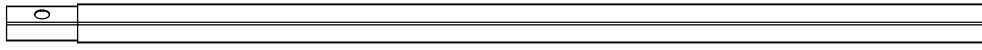
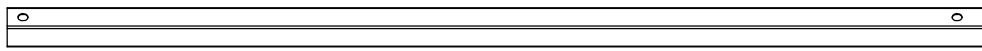

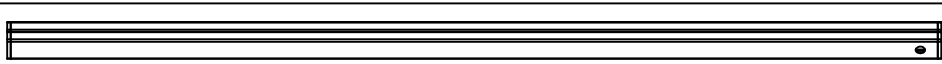







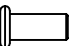

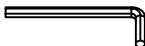



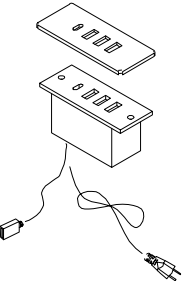
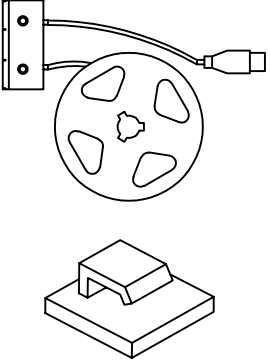


ASSEMBLY INSTRUCTION

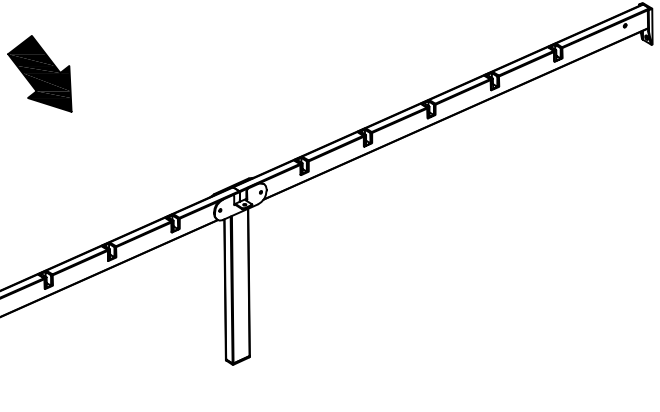
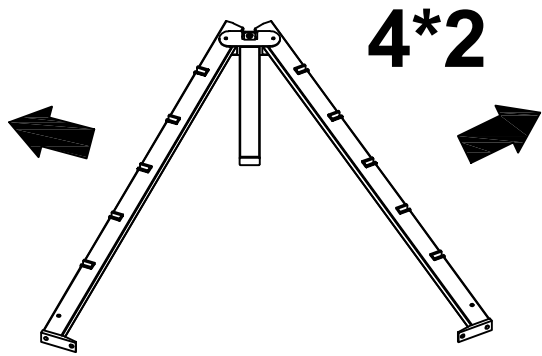


PARTS AND HARDWARE LIST

1		1 PC
2		1 PC
3		8 PCS
4		2 PCS
5		1 PC
6		1 PC
7		1 PC
8		1 PC
9		1 PC
10		1 PC
11		1 PC
12		2 PCS
13		2 PCS
14		1 PC
15		1 PC
16		10 PCS
17		2 PCS

A		M8*35mm	6 PCS	H		M6*55mm	1 PC	
B		M6*28mm	4 PCS	I		M4*25mm	2 PCS	
C		M6*22mm	4 PCS	L		M4*10mm	2 PCS	
E	 M8*20mm	 M8*15mm	6 PCS	M		M8 5mm	1 PC	
F		M6*35mm	7 PCS	N		M6 4mm	1 PC	
G		M6*10mm	34 PCS					
J				1 PC	K			1 PC

STEP 1

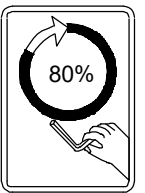
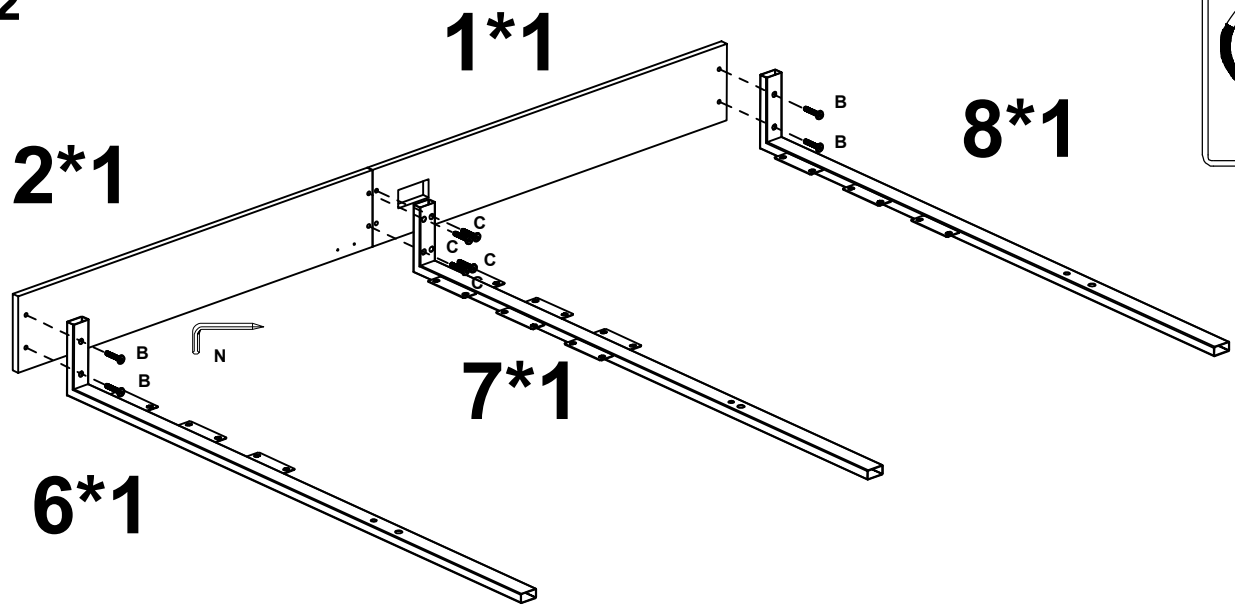


4



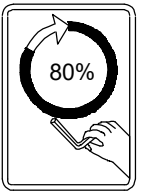
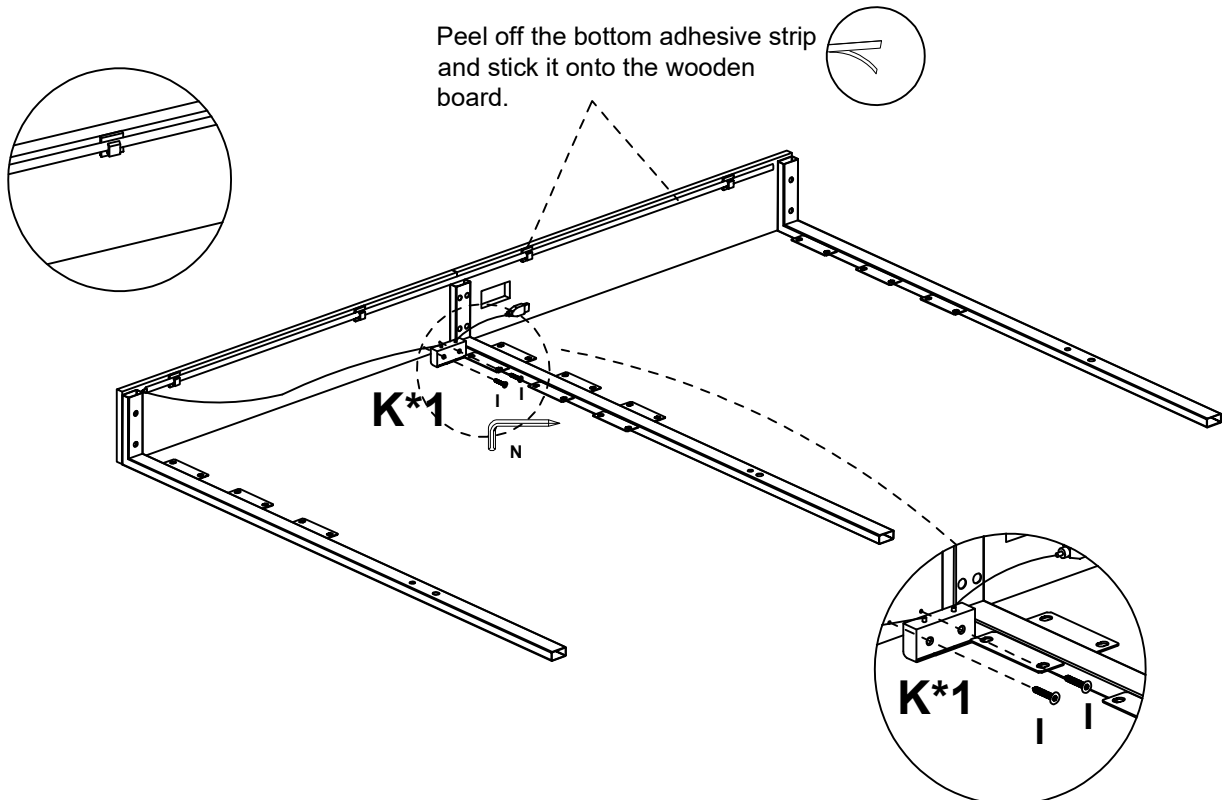
2 PCS

STEP 2



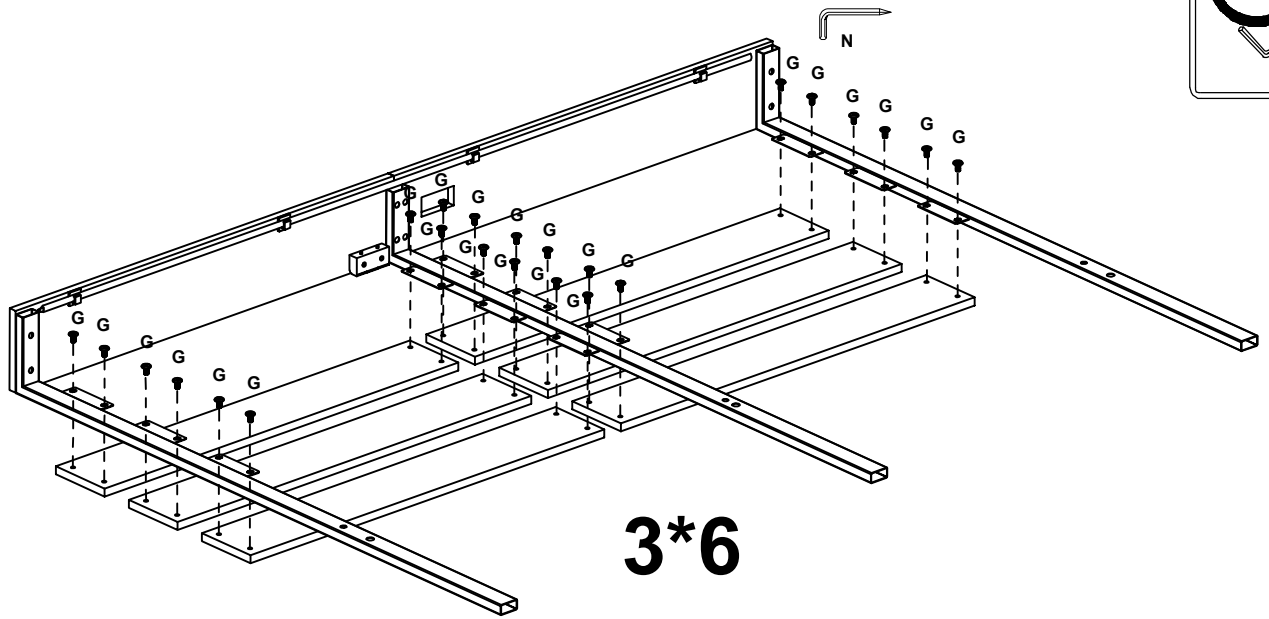
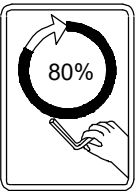
1		1 PC	8		1 PC
2		1 PC	B		4 PCS
6		1 PC	C		4 PCS
7		1 PC	N		1 PC

STEP 3



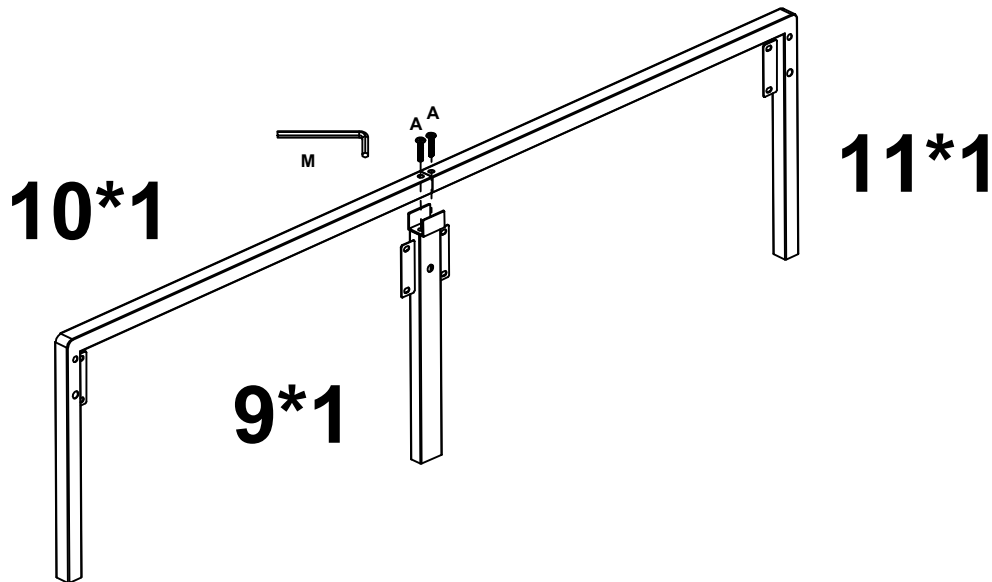
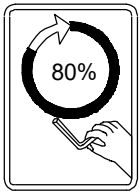
K		1 PC	I		2 PCS	N		1 PC
----------	--	------	----------	--	-------	----------	--	------

STEP 4



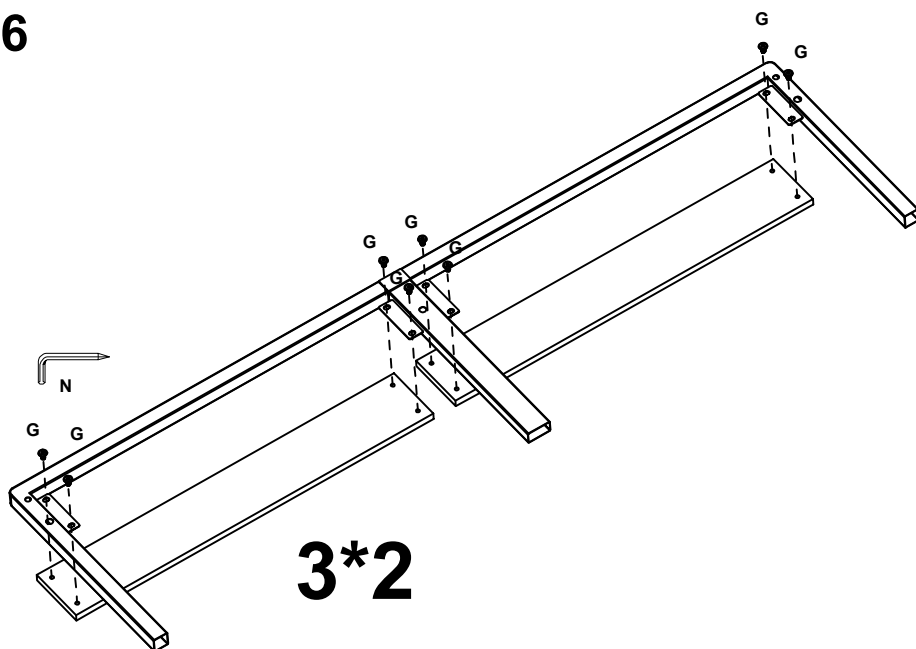
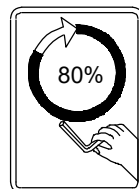
3		6 PCS				
G		M6*10mm	24 PCS	N		M6 4mm 1 PC

STEP 5



9		1 PC				
10		1 PC	A		M8*35mm	2 PCS
11		1 PC	M		M8 5mm	1 PC

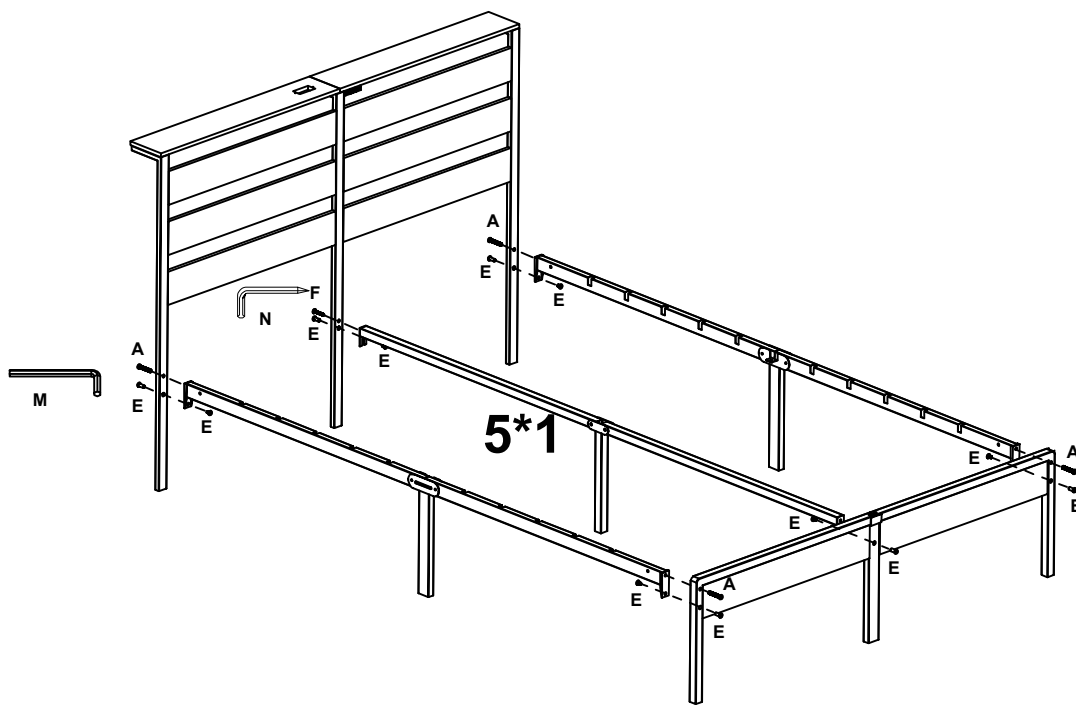
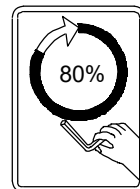
STEP 6



3		2 PCS
----------	--	-------

G		M6*10mm	8 PCS	N		M6 4mm	1 PC
----------	--	---------	-------	----------	--	--------	------

STEP 7

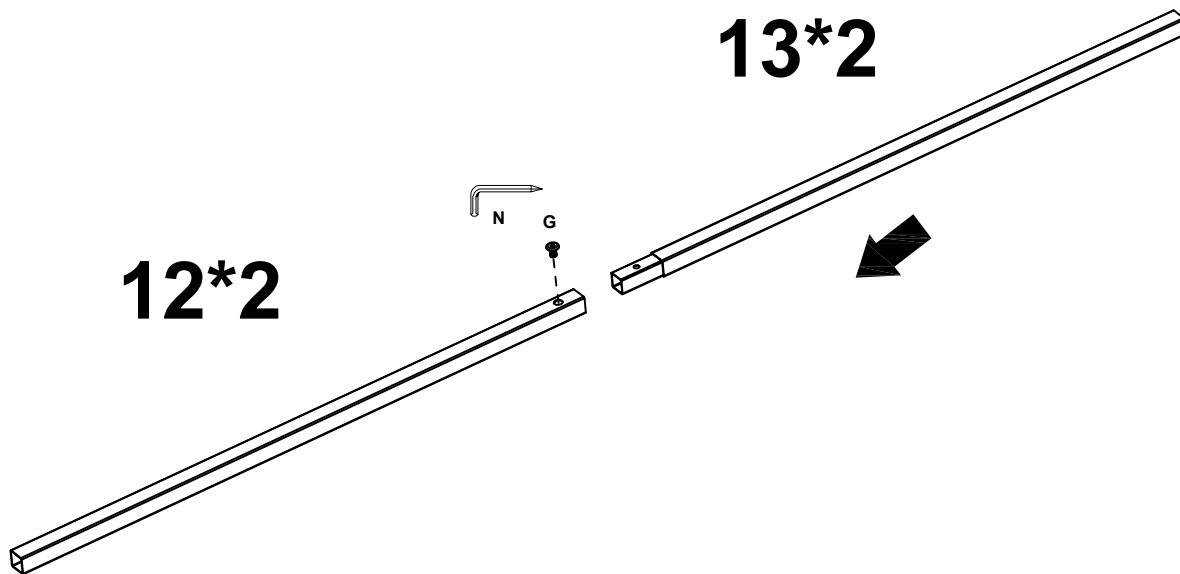
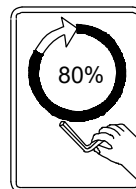


A		M8*35mm	4 PCS
----------	--	---------	-------

E		M8*20mm	M8*10mm	6 PCS	M		M8 5mm	1 PC
----------	--	---------	---------	-------	----------	--	--------	------

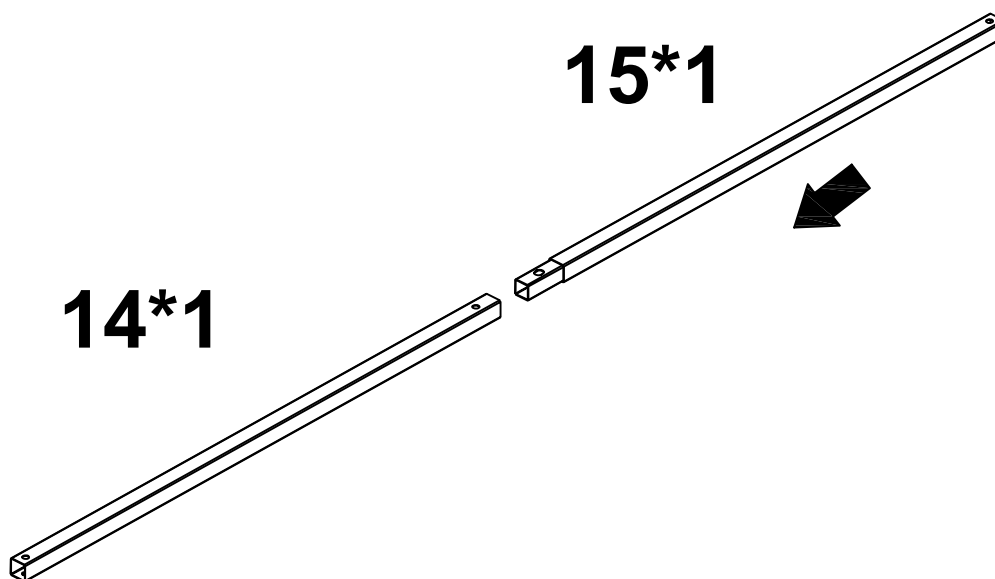
F		M6*35mm	1 PC	N		M6 4mm	1 PC
----------	--	---------	------	----------	--	--------	------

STEP 8



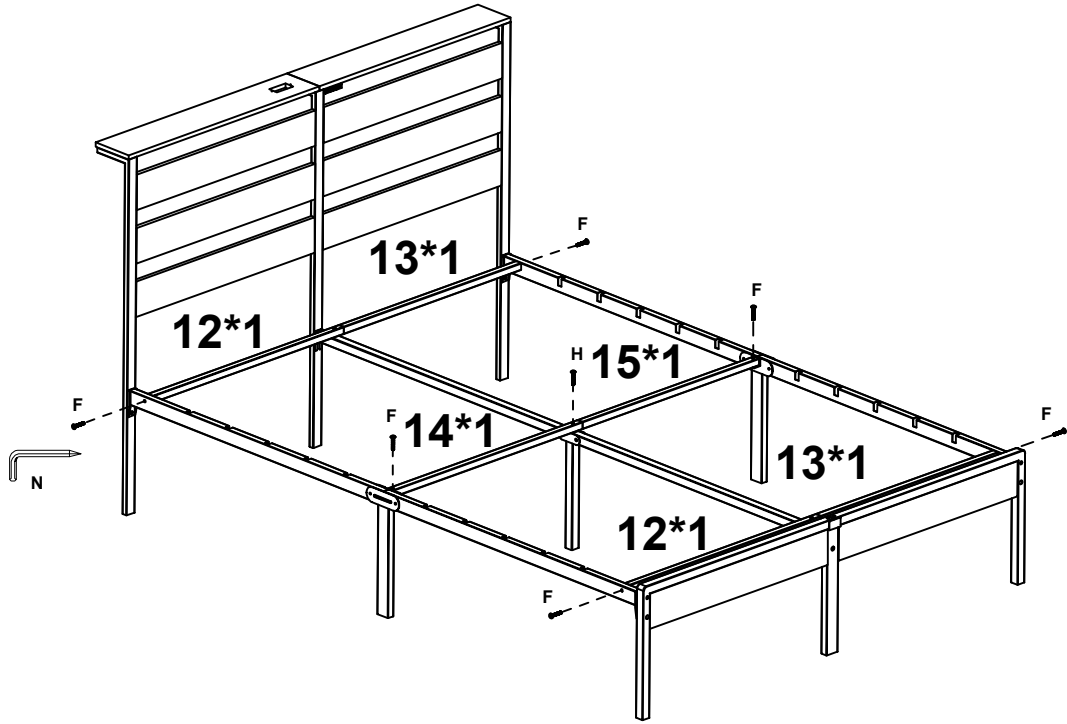
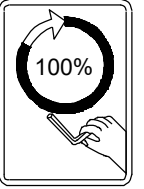
12		2 PCS	G		M6*10mm	2 PCS
13		2 PCS	N		M6 4mm	1 PC

STEP 9



14		1 PC	15		1 PC
-----------	--	------	-----------	--	------

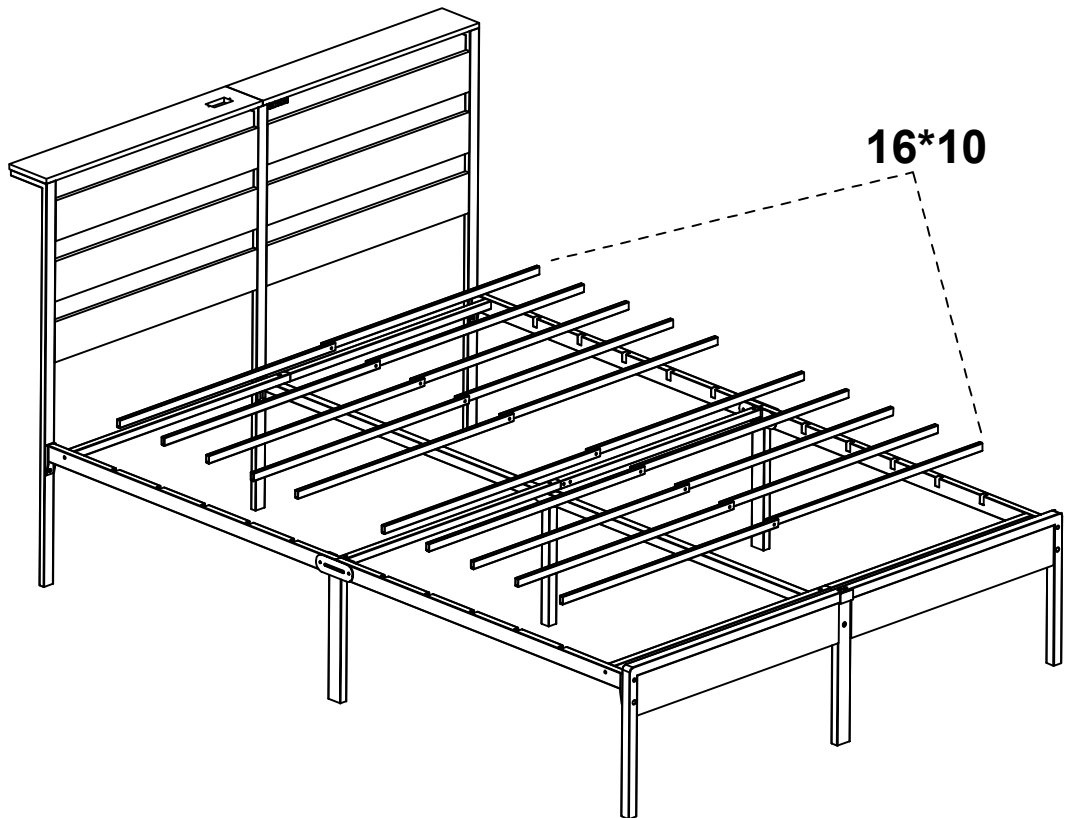
STEP 10



F		M6*35mm	6 PCS
----------	--	---------	-------

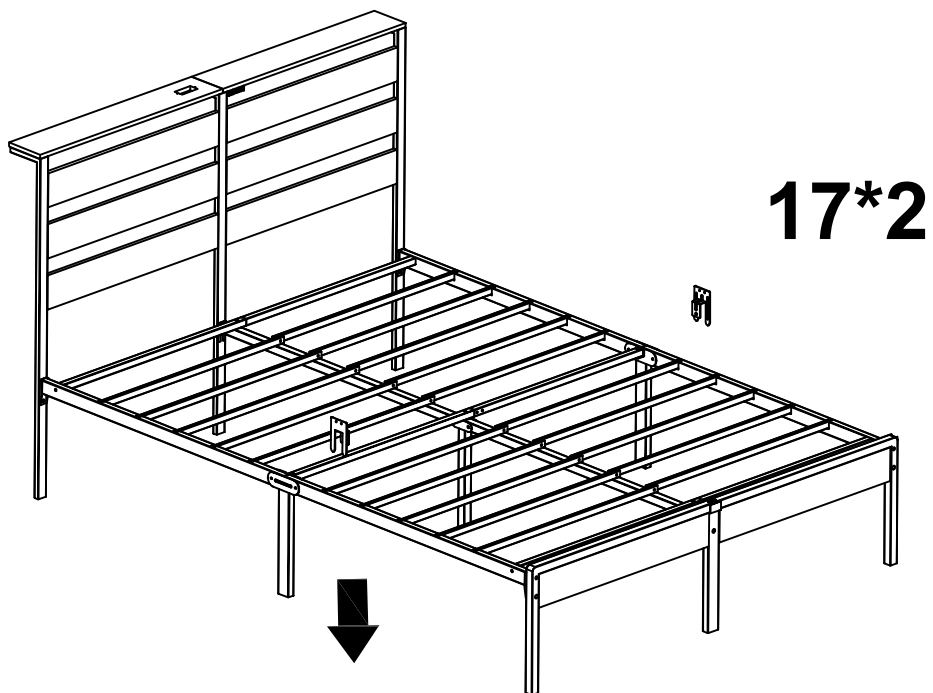
H		M6*55mm	1 PC	N		M6 4mm	1 PC
----------	--	---------	------	----------	--	--------	------

STEP 11



16		10 PCS
-----------	--	--------

STEP 12

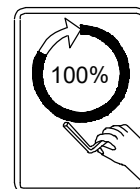
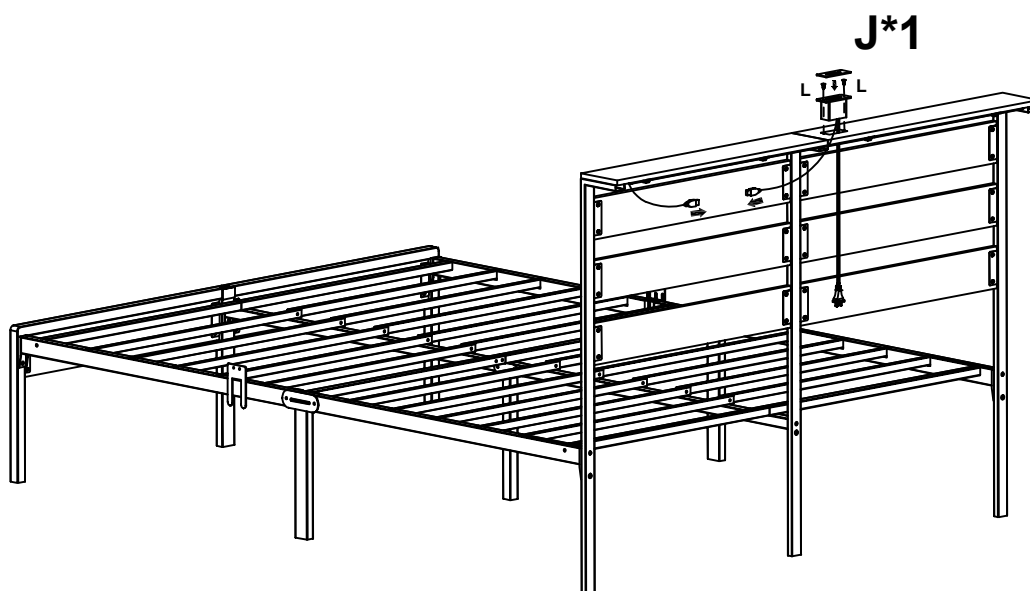


17



2 PC

STEP 13



J



1 PC L



M4*10mm 2 PCS