


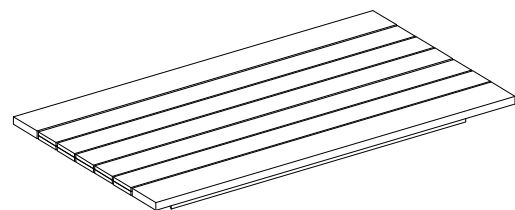


SKU: KS-029-2

ASSEMBLY INSTRUCTION

No	Hardware	Fig	Q.ty
①	Bolt M6 x 55mm		8
②	Washer Iron M6 x 18 x 2mm		8
③	Allen Key M4		1



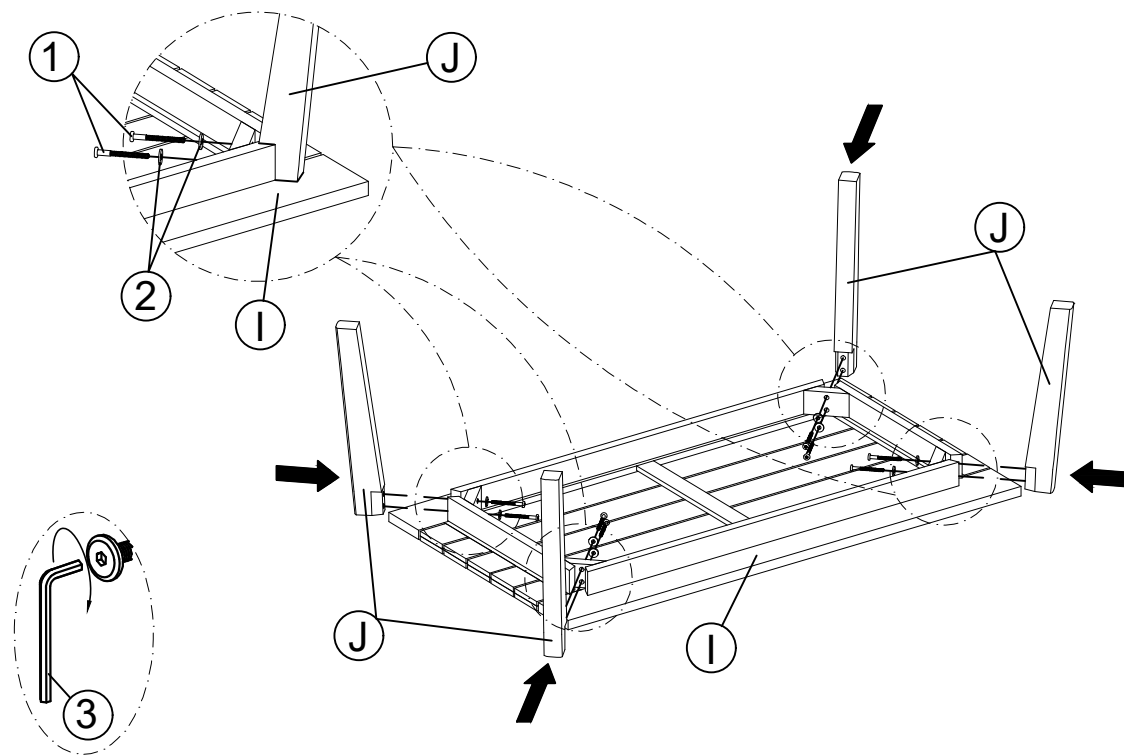
① x 1

Table Top



④ x 4

Table Legs

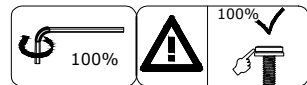
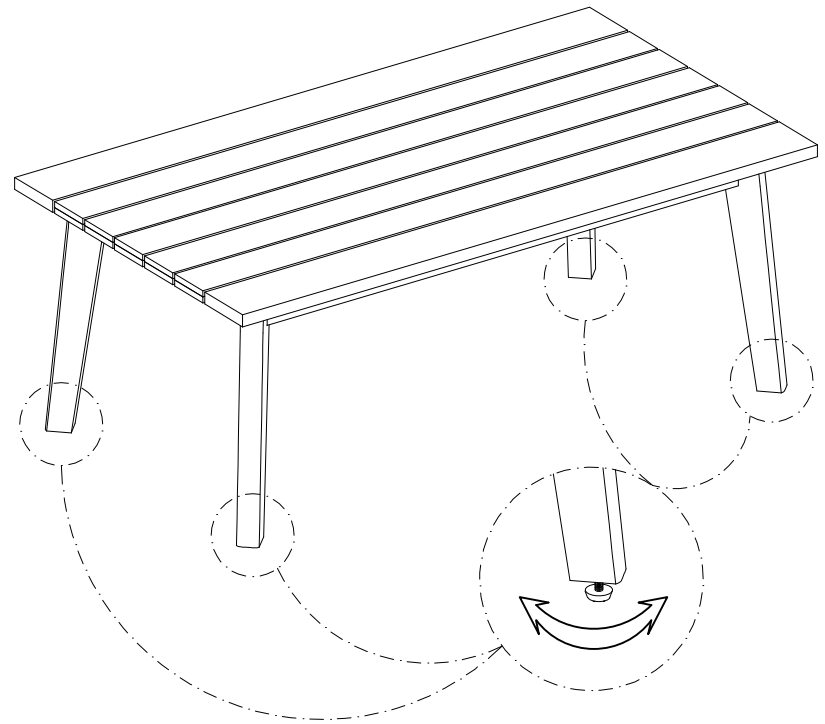
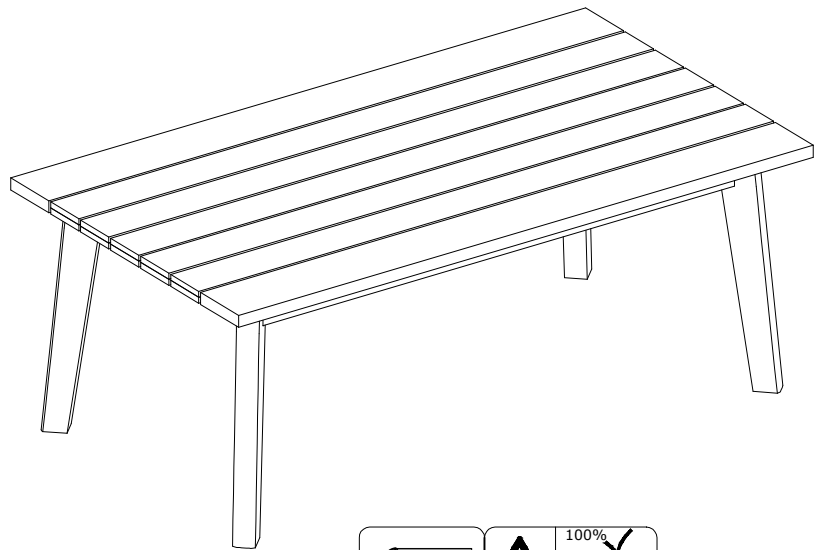


STEP 1

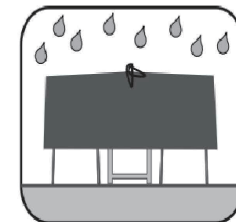
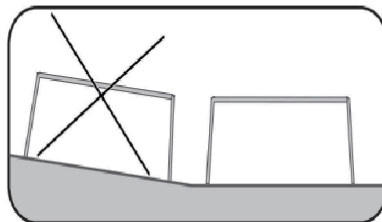


SKU: KS-029-2

ASSEMBLY INSTRUCTION



FINISH



STEP 2