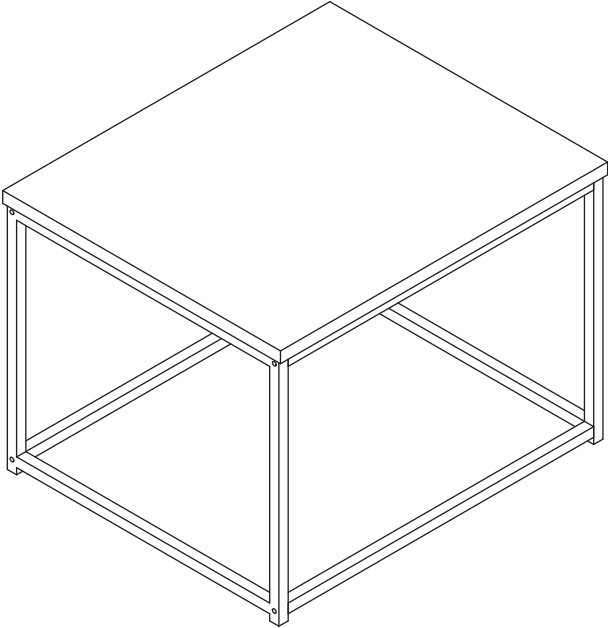


# Instruction Manual

## Side Table



# CONTENTS

---

|                        |          |
|------------------------|----------|
| Safety and care advice | <b>1</b> |
| Components             | <b>2</b> |
| Assembly instructions  | <b>4</b> |
| Copyright              | <b>6</b> |

---

# ⚠ SAFETY AND CARE ADVICE ⚠

---

## PLEASE READ THESE INSTRUCTIONS CAREFULLY AND KEEP FOR FUTURE REFERENCE

- **Warning:** Please lift with care.
- Check you have all the components and tools listed on pages 2 and 3.
- Remove all fittings from the plastic bags and separate them into their groups.
- Keep children and animals away from the work area, small parts could choke if swallowed.
- Make sure you have enough space to lay out the parts before starting.
- Do not stand or put weight on the product, this could cause damage.
- Assemble the item as close to its final position (in the same room) as possible.
- Assemble on a soft level surface to avoid damaging the unit or your floor (use opened out unit carton).



- We do not recommend the use of power drill/drivers **for inserting screws**, as this could damage the unit. Only use hand screwdrivers.
- Dispose of all packaging carefully and responsibly.

## CARE AND MAINTENANCE

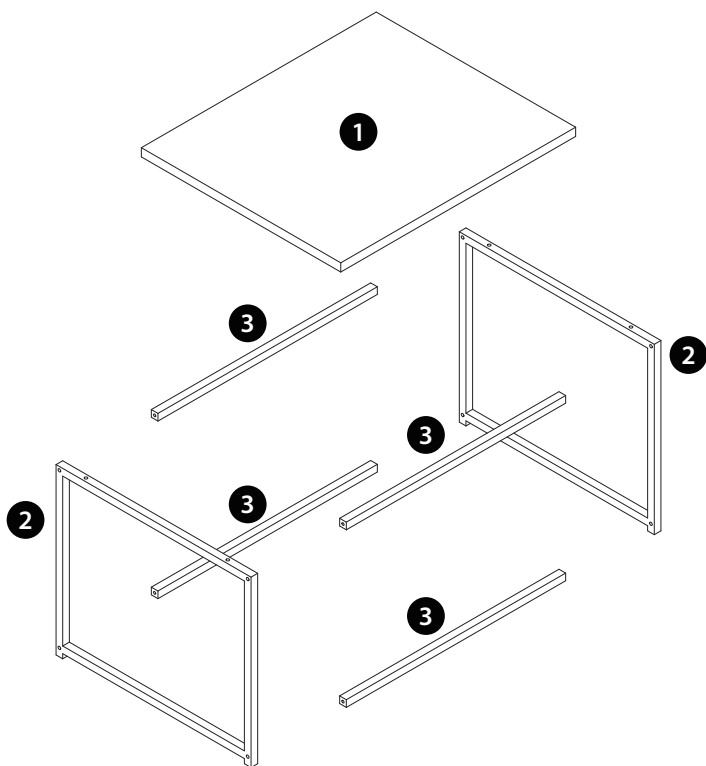
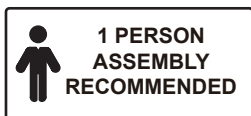
---

- Only clean using a damp cloth and mild detergent, do not use bleach or abrasive cleaners.
- From time to time check that there are no loose screws on this unit.
- This product should not be discarded with household waste. Take to your local authority waste disposal center.

**Note** *If required the next page can be cut out and used as reference throughout the assembly. Keep this page with these instructions for future reference.*

# COMPONENTS

Please check you have all the panels listed below:



|   |                       |    |   |             |    |
|---|-----------------------|----|---|-------------|----|
| 1 | Top Panel             | x1 | 3 | Support bar | x4 |
| 2 | Left/Right Side Frame | x2 |   |             |    |

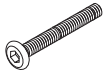


# COMPONENTS

---

Please check you have all the fittings listed below:

**A**



Screw( $\text{\O}6 \times 25\text{mm}$ ) x 12

**C**

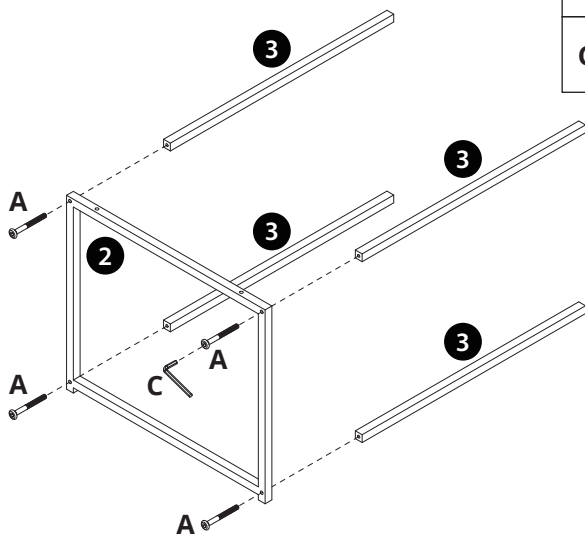




Allen wrench x 1



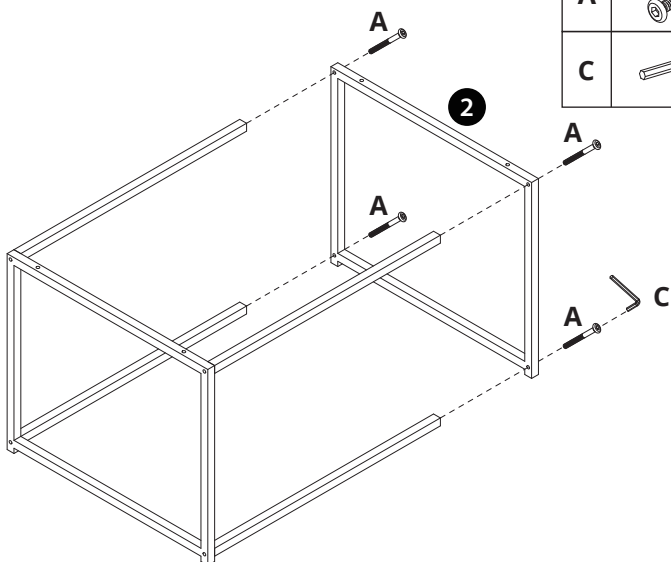
# ASSEMBLY INSTRUCTIONS



## Step 1



|   |   |   |  |
|---|---|---|--|
| A |  | 4 |  |
| C |  | 1 |  |

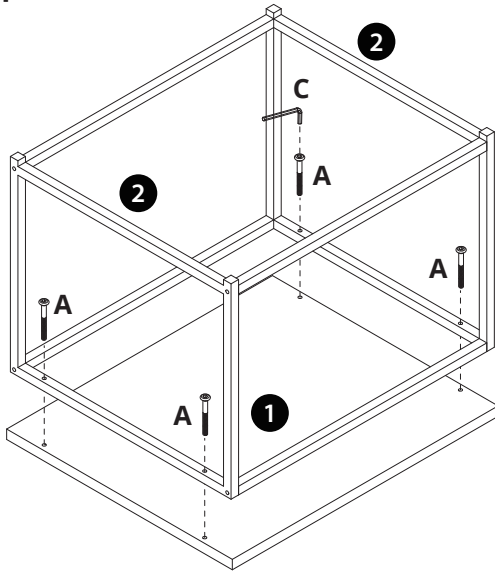
## Step 2





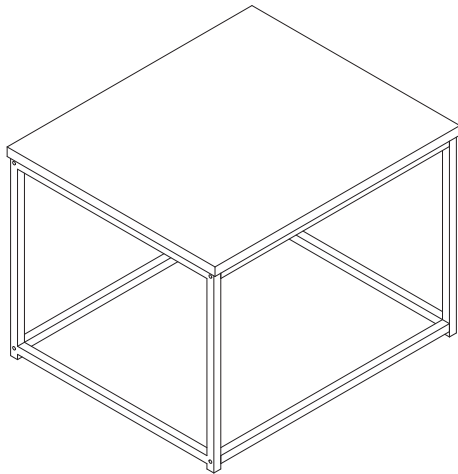
|   |   |   |  |
|---|---|---|--|
| A |  | 4 |  |
| C |  | 1 |  |

# ASSEMBLY INSTRUCTIONS

## Step 3



|   |   |   |  |
|---|---|---|--|
| A |  | 4 |  |
| C |  | 1 |  |



Congratulations! Now you have finished assembling the product.