

ASSEMBLY INSTRUCTIONS



Fine Furniture for every stage of life

Accent Bench

REVISION 0 : 07/01/2020
REVISION 1 : 03/01/2021
REVISION 2 : 12/08/2021

PAGE 1 OF 3

ASSEMBLY INSTRUCTIONS

ASSEMBLY TIPS:

1. Remove hardware from box and sort by size.
2. Please check to see that all hardware and parts are present prior to start of assembly.
3. Please follow attached instructions in the same sequence as numbered to assure fast & easy assembly.



WARNING!





1. Don't attempt to repair or modify parts that are broken or defective. Please contact the store immediately.
2. This product is for home use only and not intended for commercial establishments.



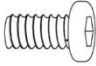

ASSEMBLY TIME

15 MINUTES

PARTS IDENTIFICATION

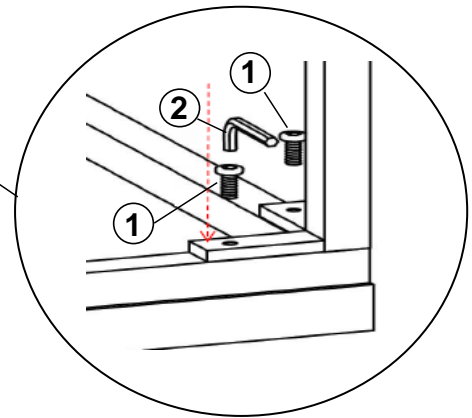
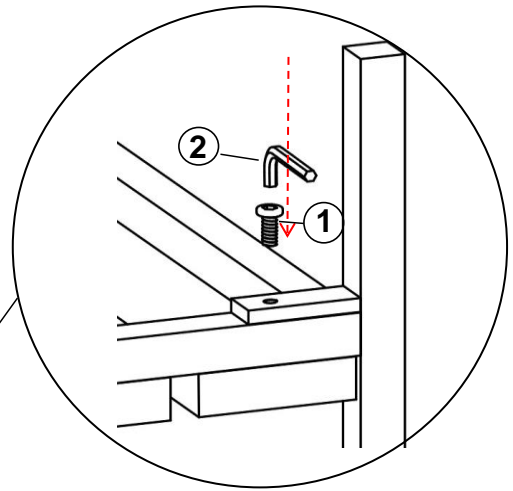
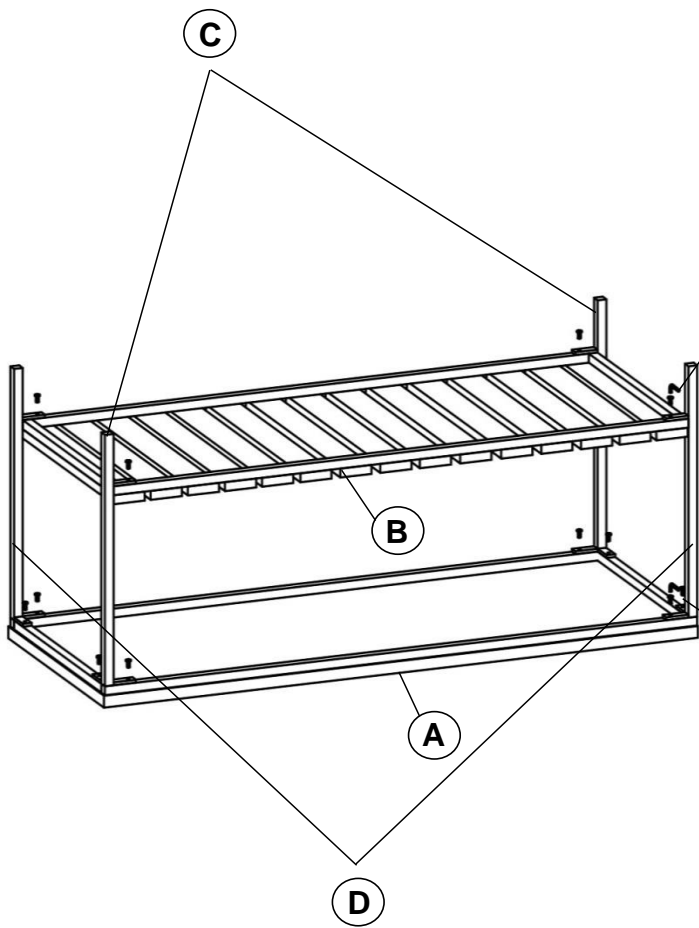
A	SEAT		1PC
B	BOTTOM SHELF		1PC
C	LEG FRAME (WITH "C" LABEL)		2PCS
D	LEG FRAME (WITH "D" LABEL)		2PCS

HARDWARE IDENTIFICATION

1	BOLT (M8 x 12mm - BLK)		12PCS
2	ALLEN WRENCH (5mm - BLK)		1PC

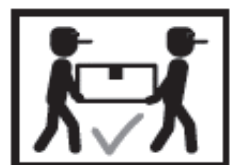
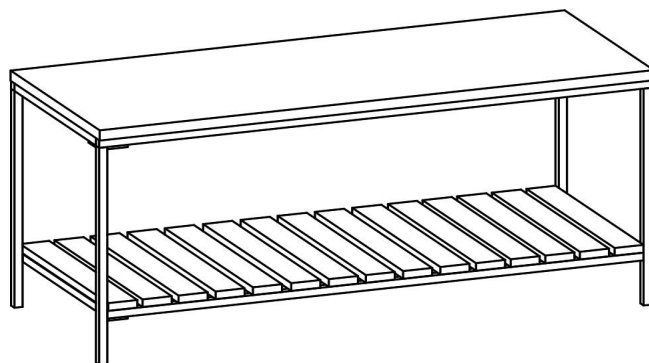
ASSEMBLY INSTRUCTIONS

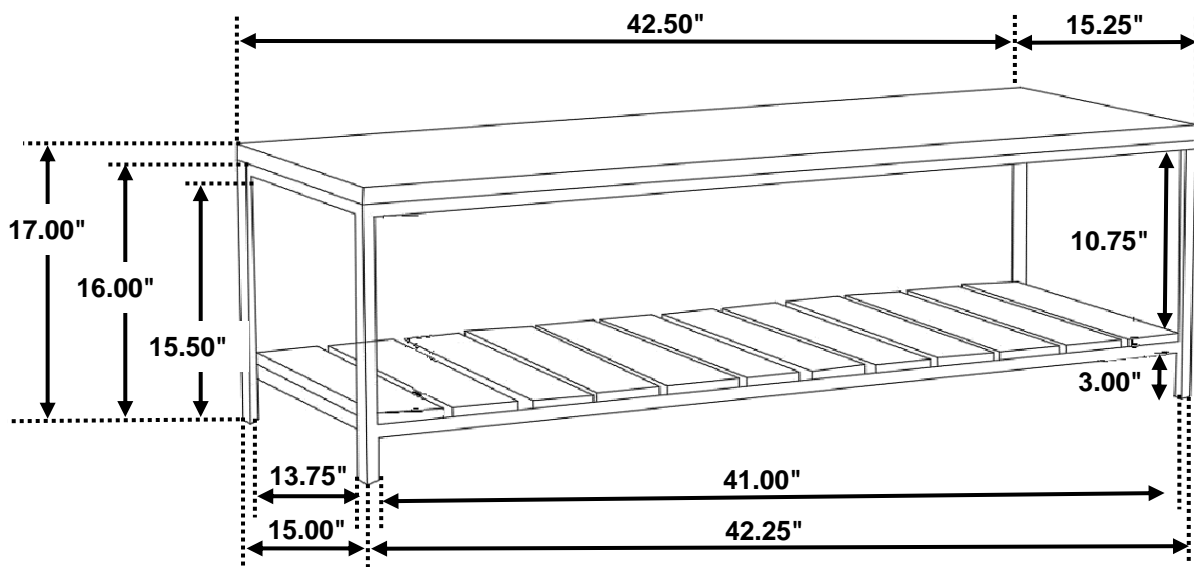
STEP 1



STEP 2

COMPLETE





Note : Dimension tolerance $\pm 5\%$