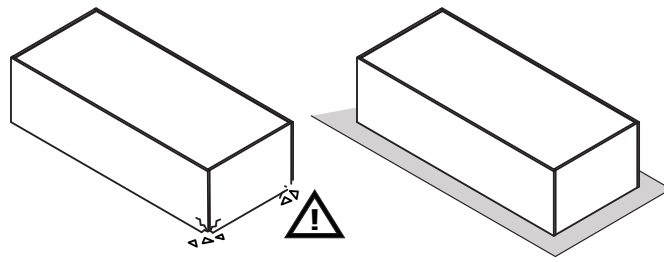
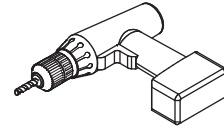
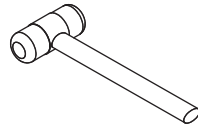
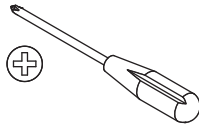


1h



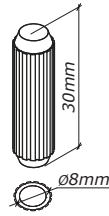
**G119**  
x2



**G122**  
x7



**G123**  
x2



**H1**  
x7



**H70**  
x3



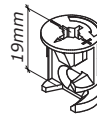
**H118**  
x2



**P14**  
x2



**T28**  
x7



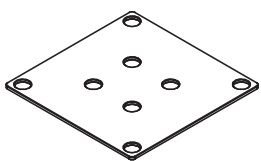
**T97**  
x7



**V10**  
x8

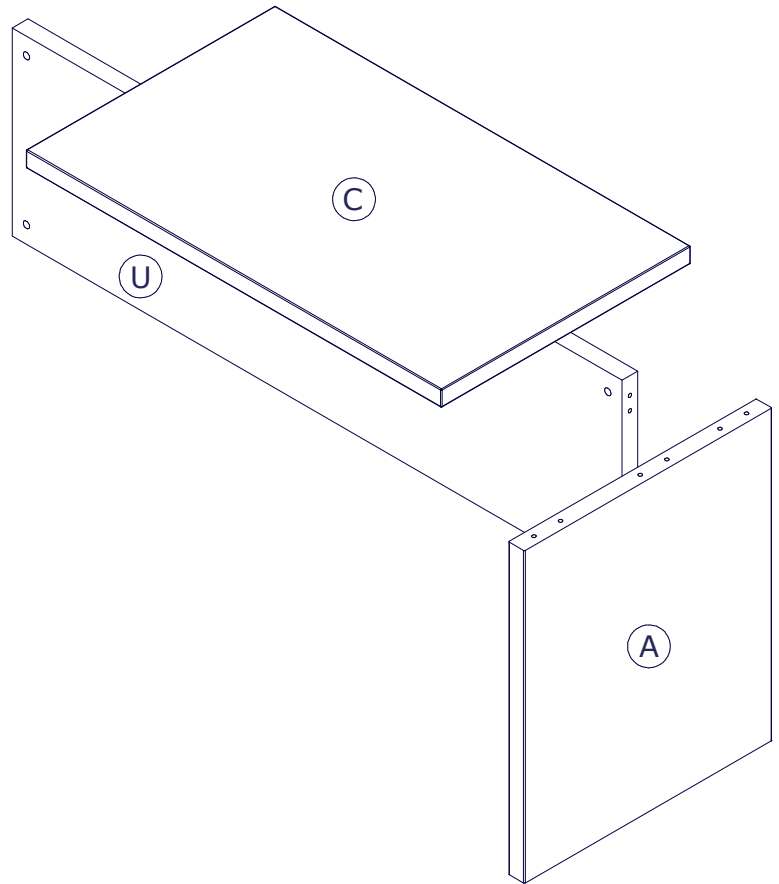
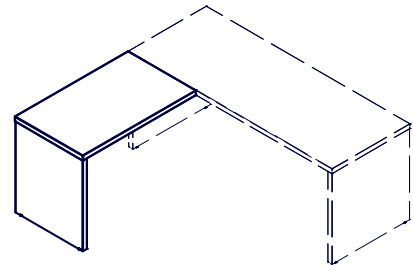
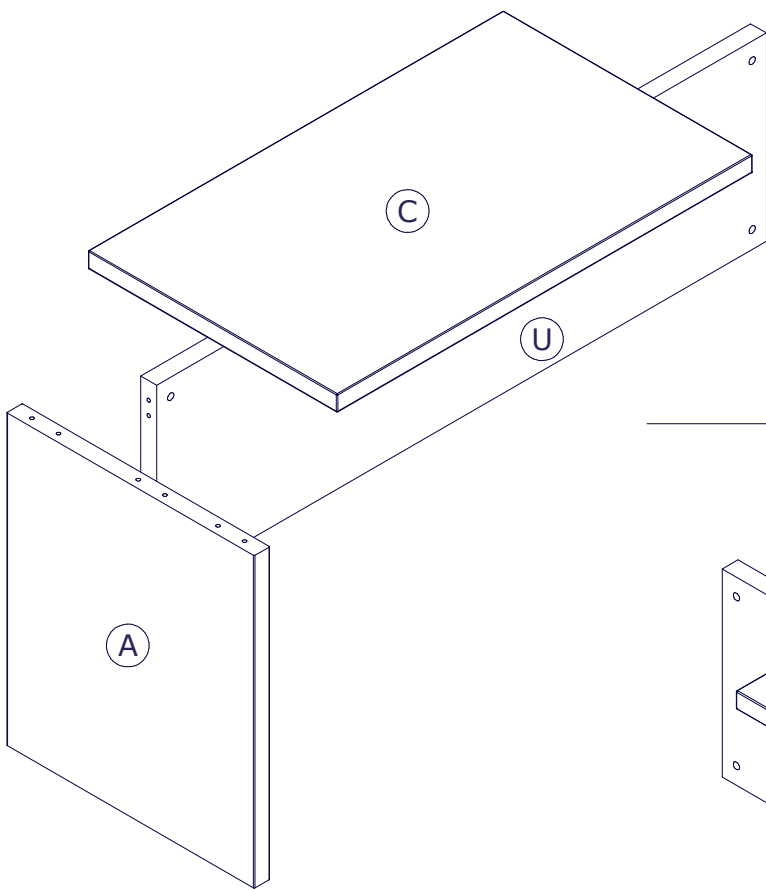


**V13**  
x6

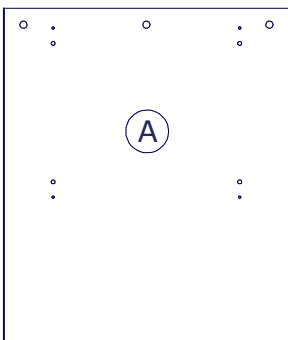
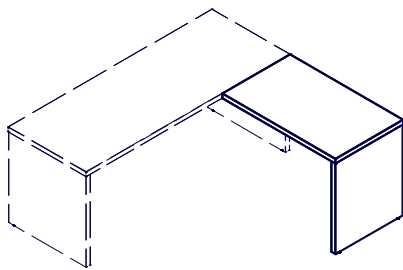


**W37**  
x2

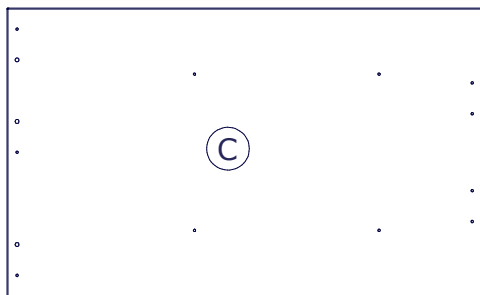
L



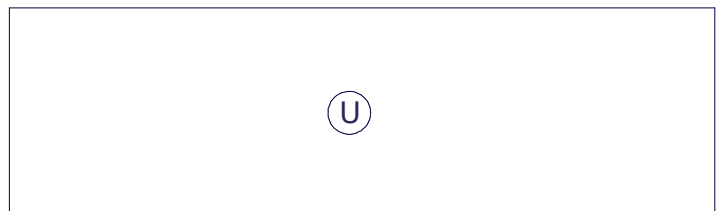
R



• **FI7107**  
693x596x38mm

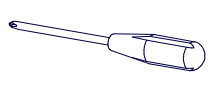
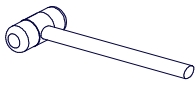


• **CA2901**  
1000x600x38mm



• **FS2462**  
1468x434x38mm

1

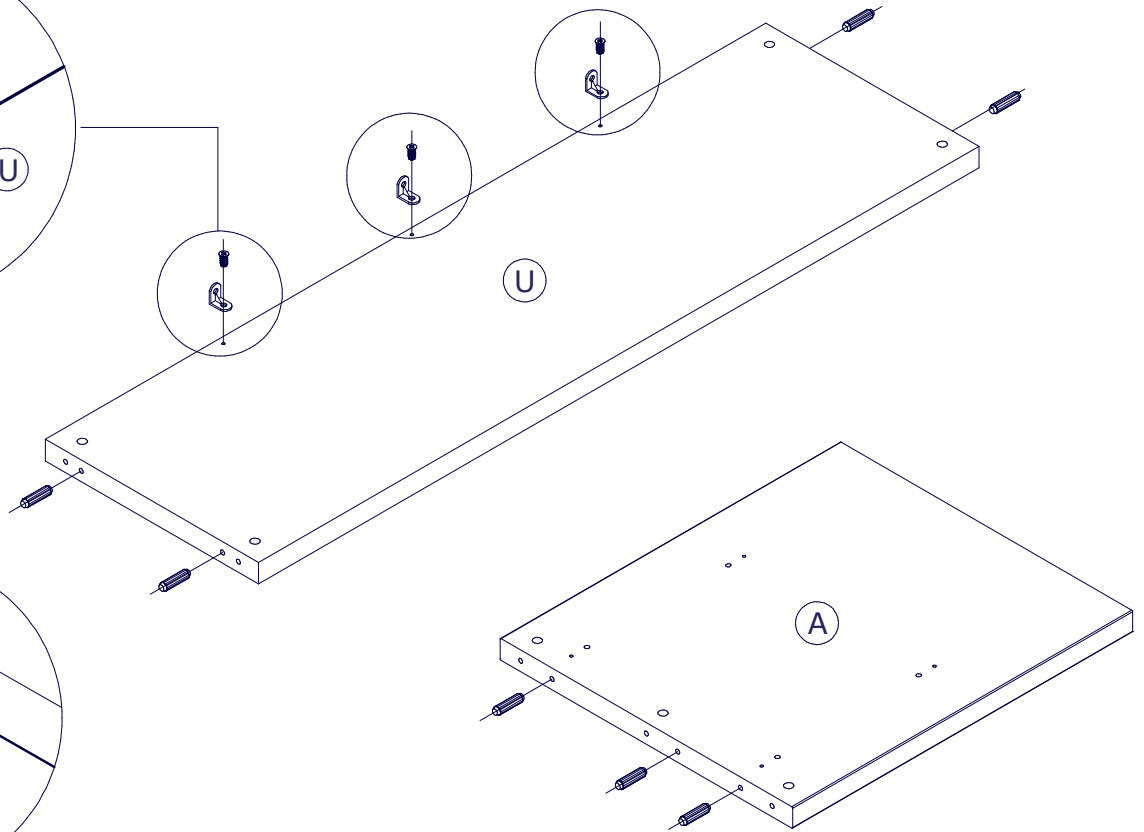
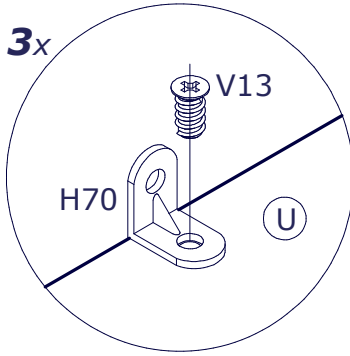


2x

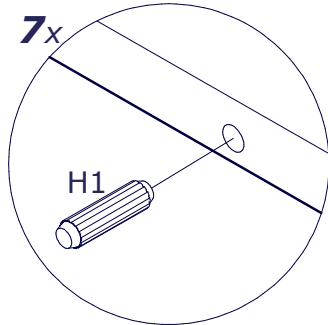


V13

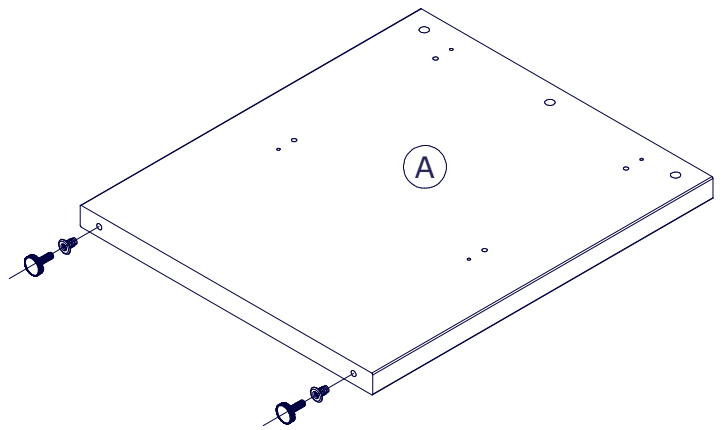
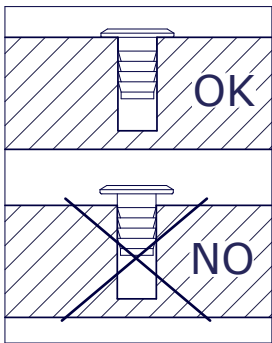
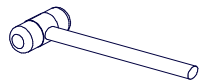
3x



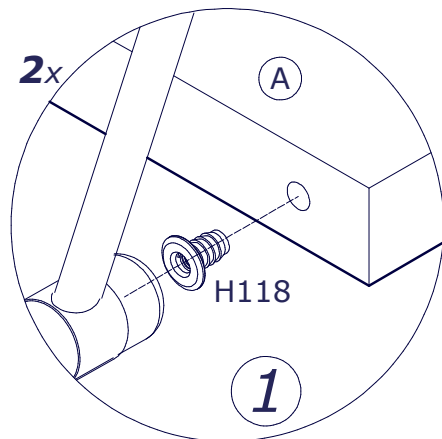
7x



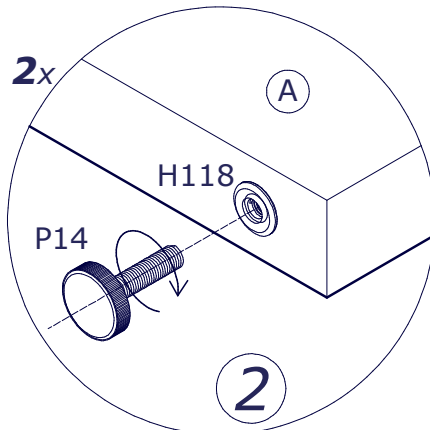
2



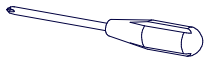
2x



2x



3



4x



V10

2x

W37

V10

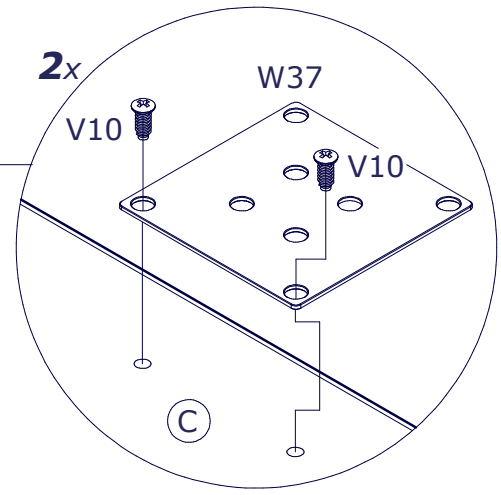
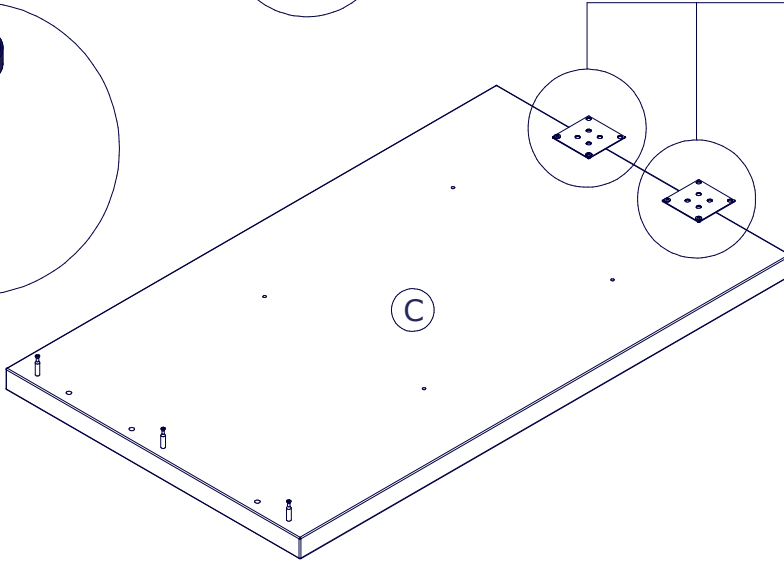
V10

(C)

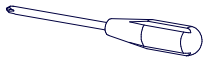
3x



T28

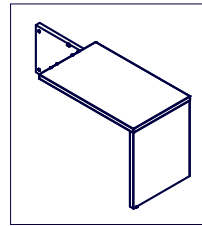
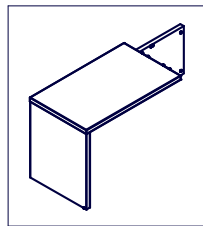


4



L

R



2x

G123

2x

G119

2x

G123

2x

G119

2x

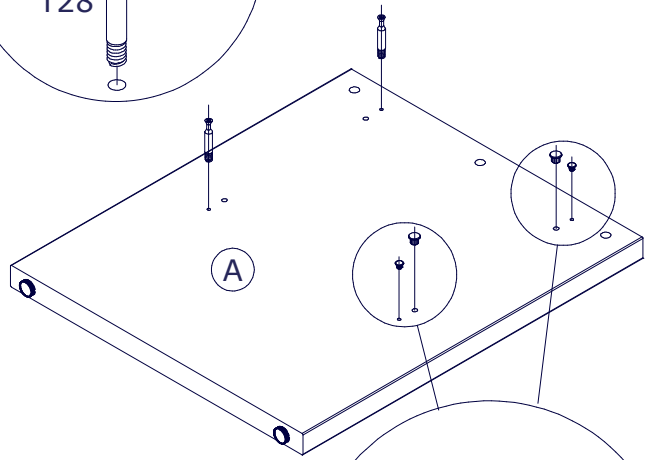
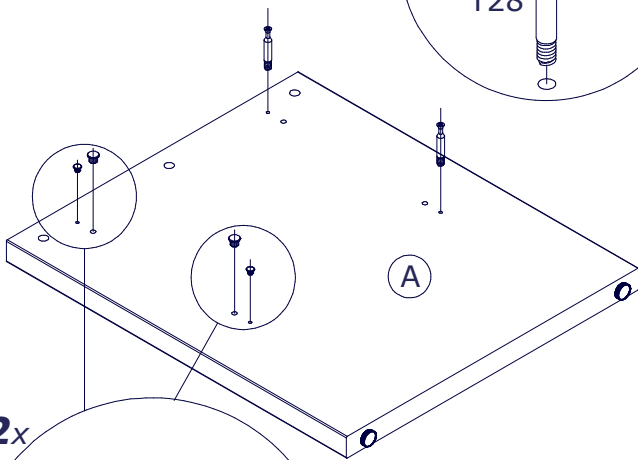


T28

2x



T28



2x

G119

G123

Ø5mm

Ø8mm

2x

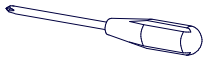
G123

G119

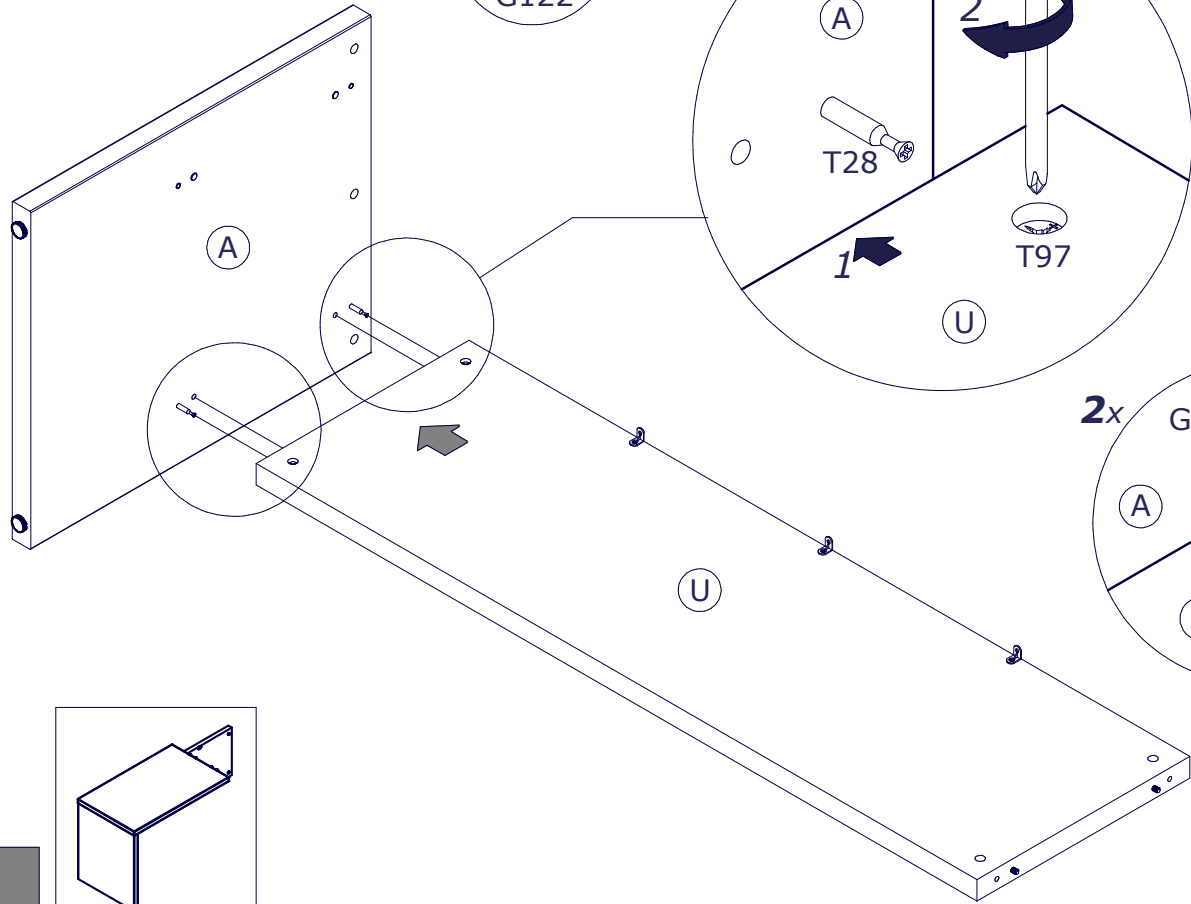
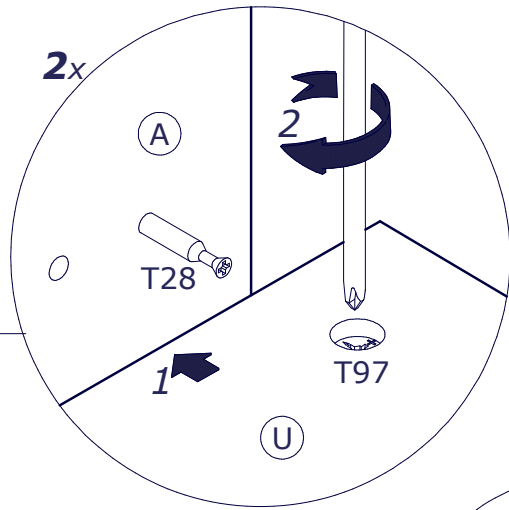
Ø8mm

Ø5mm

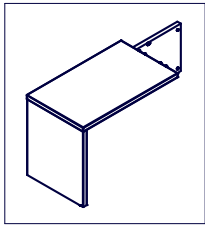
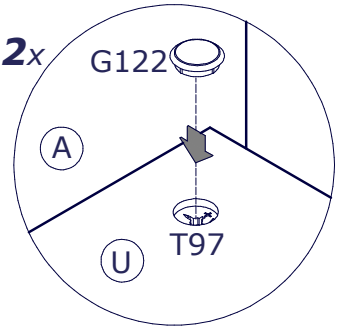
5



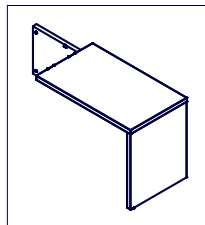
2x



2x

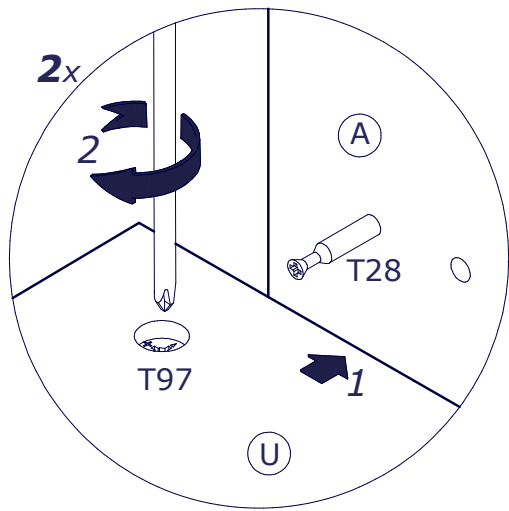


L

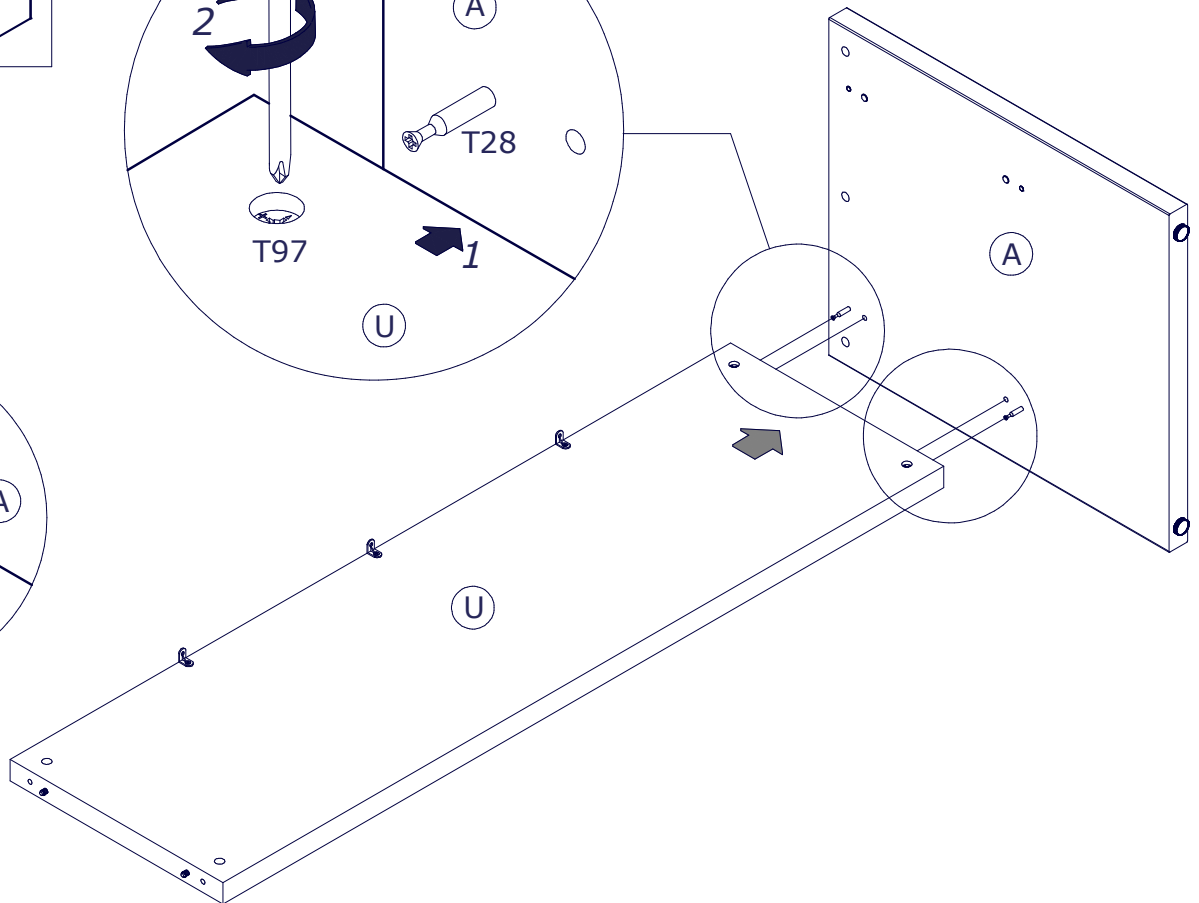


R

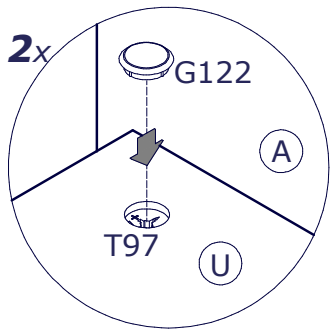
2x



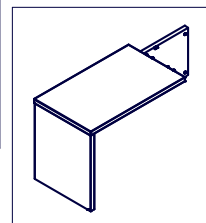
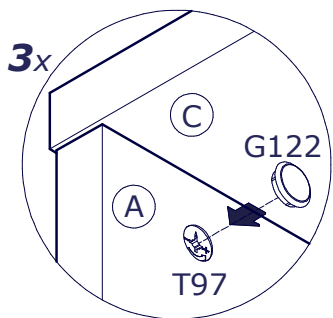
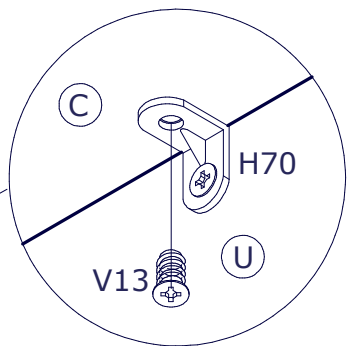
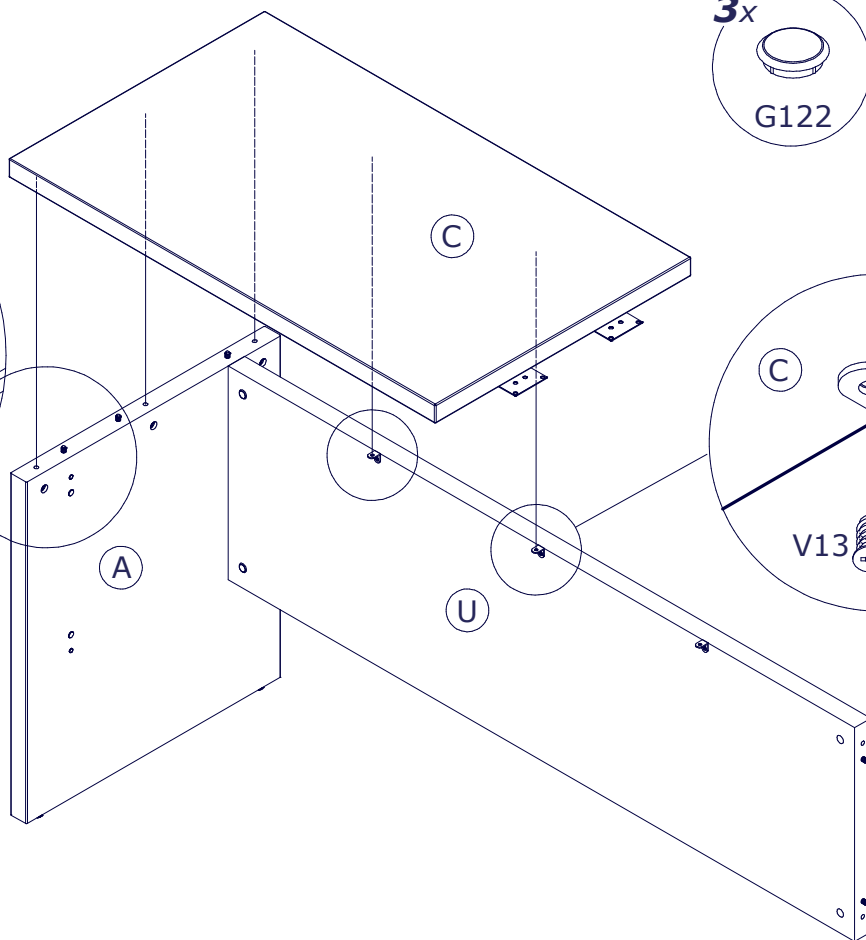
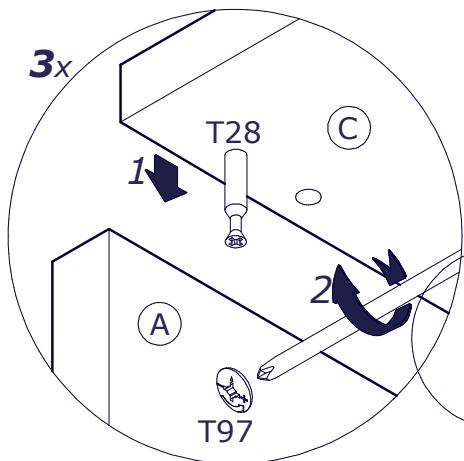
2x



2x

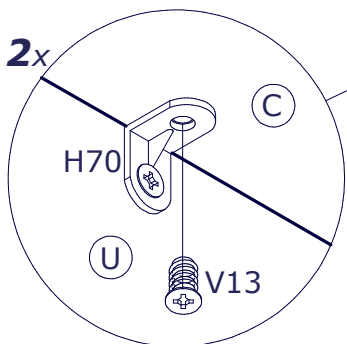
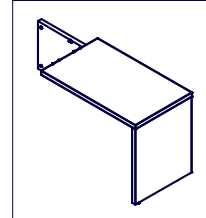
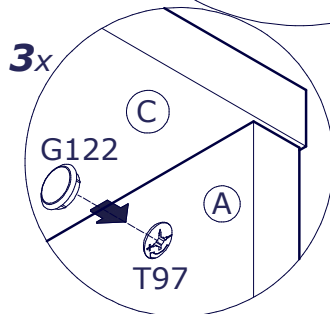
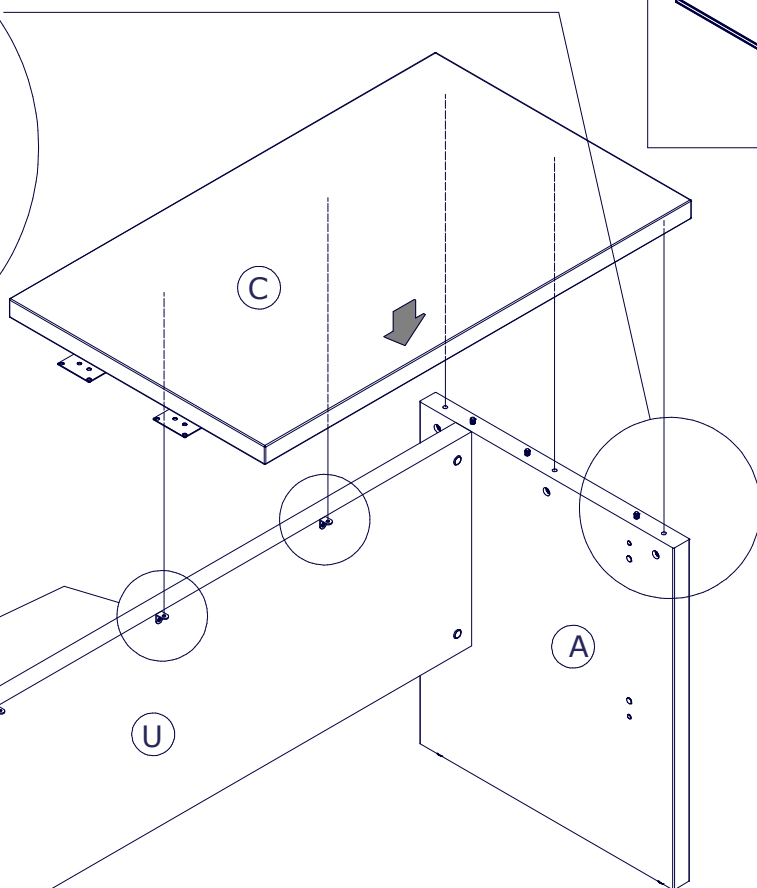
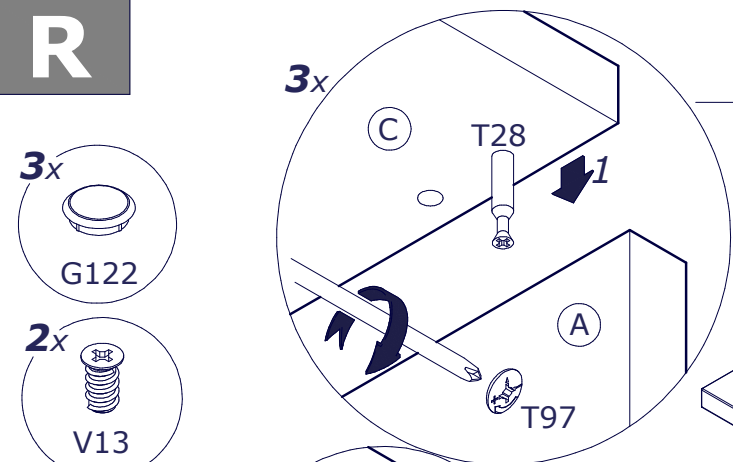


6

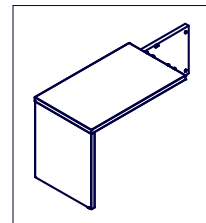
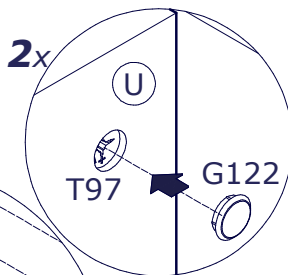
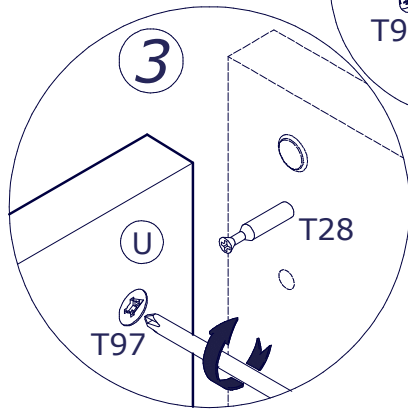
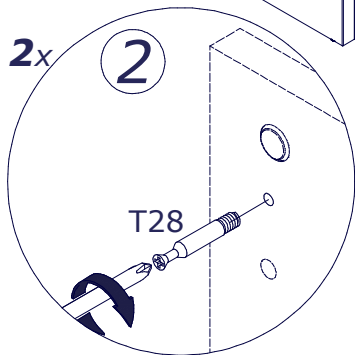
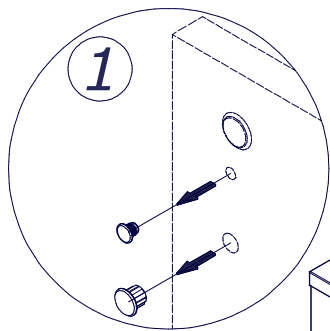


L

R

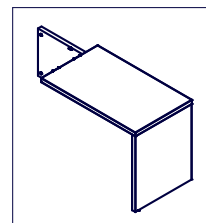
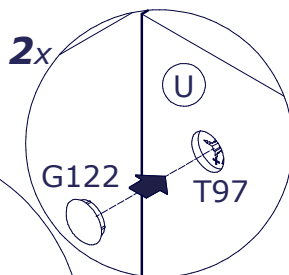
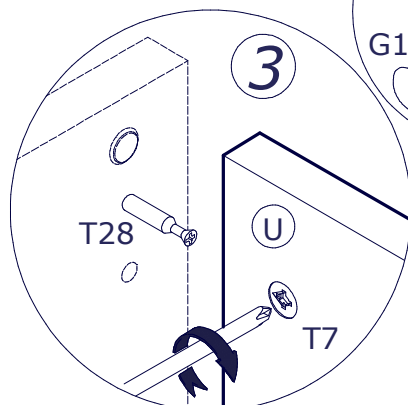
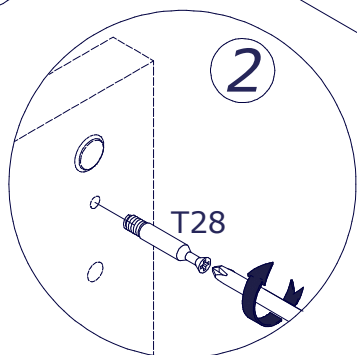
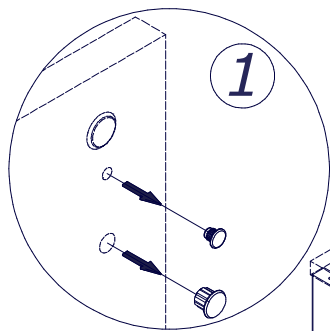


7

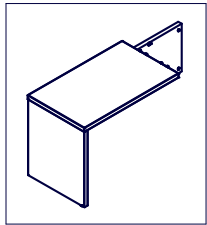
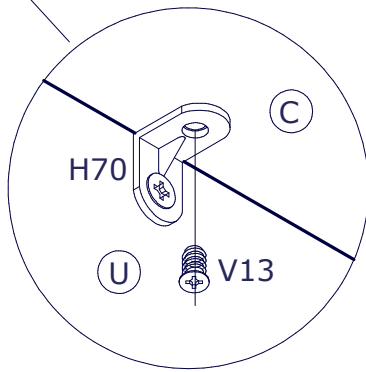
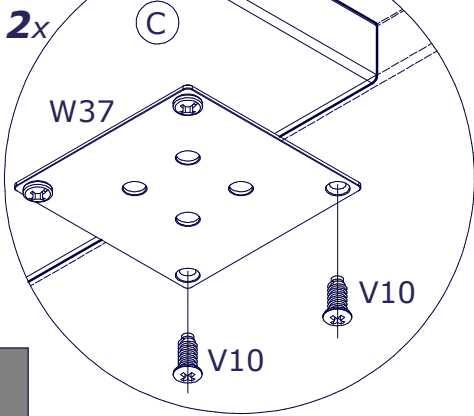
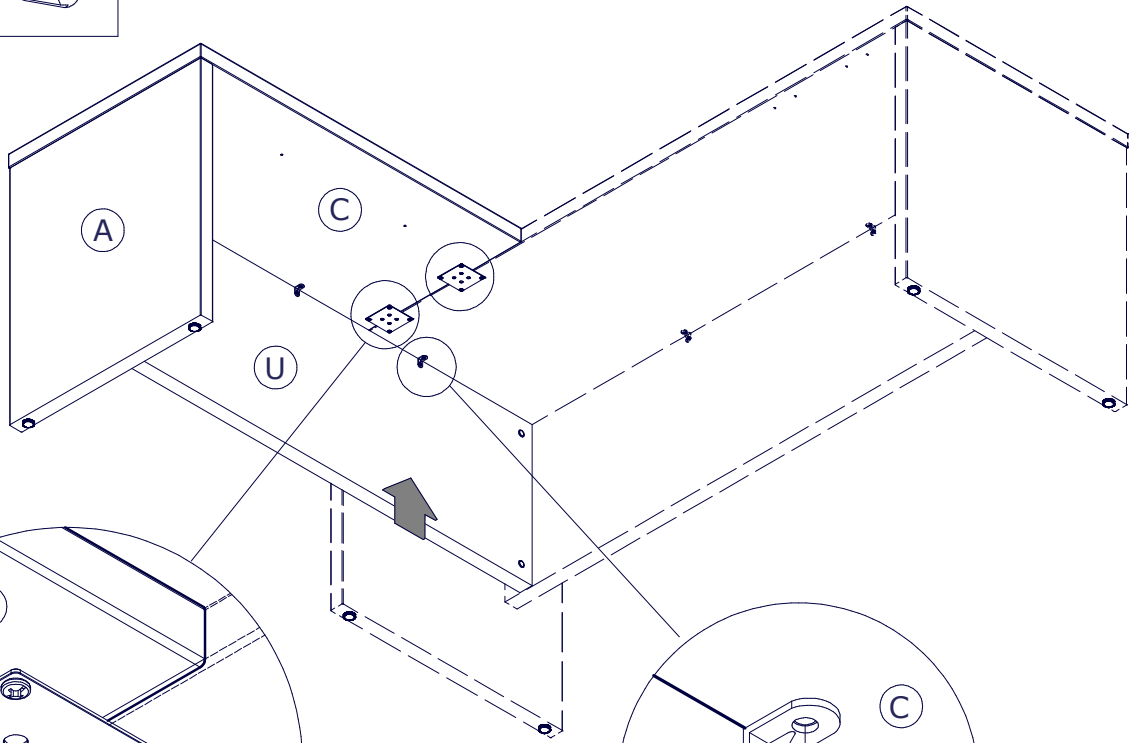
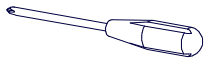


L

R

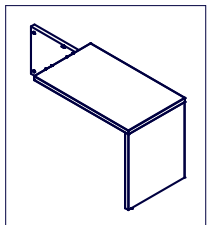
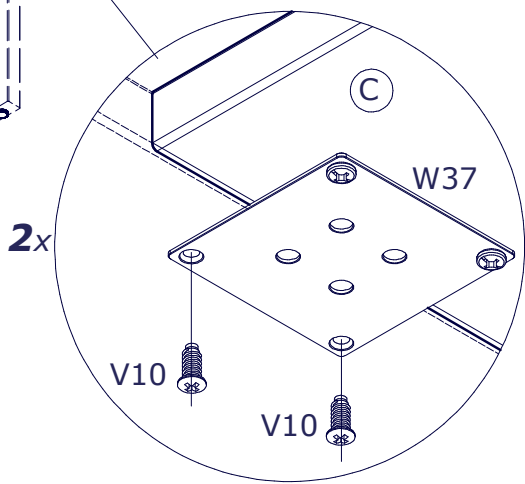
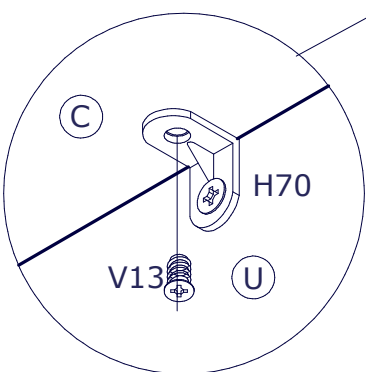
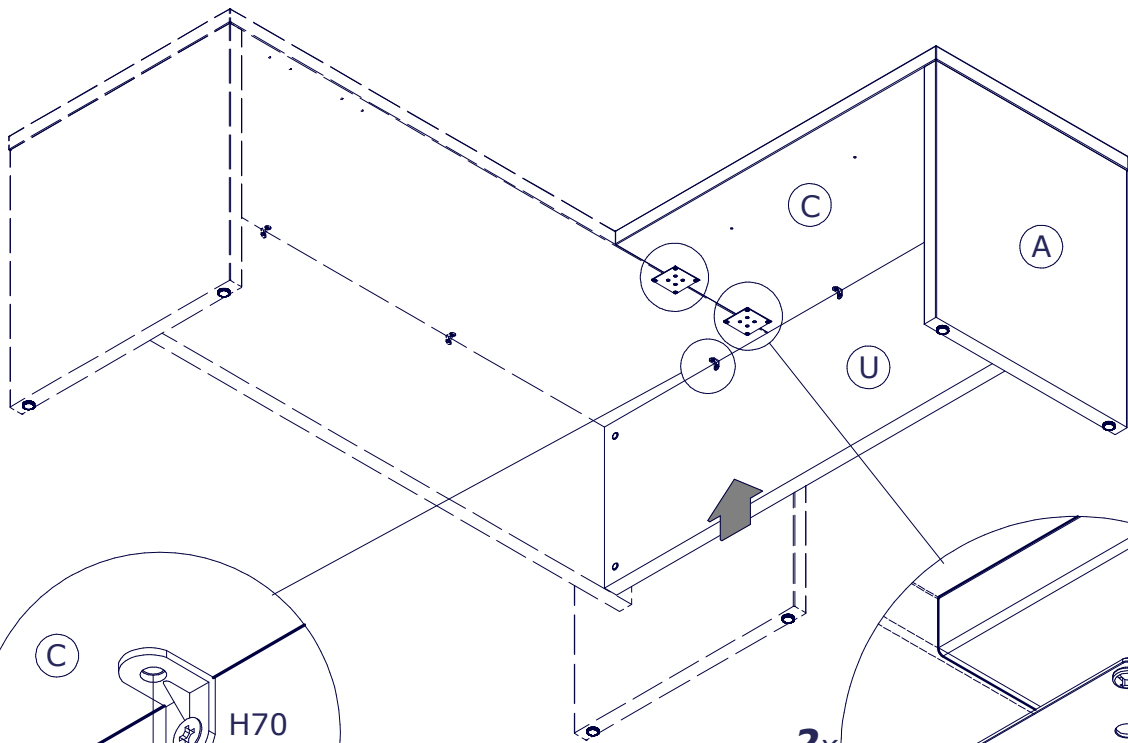


8

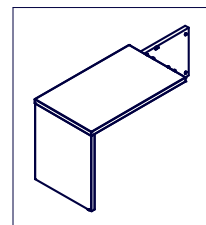
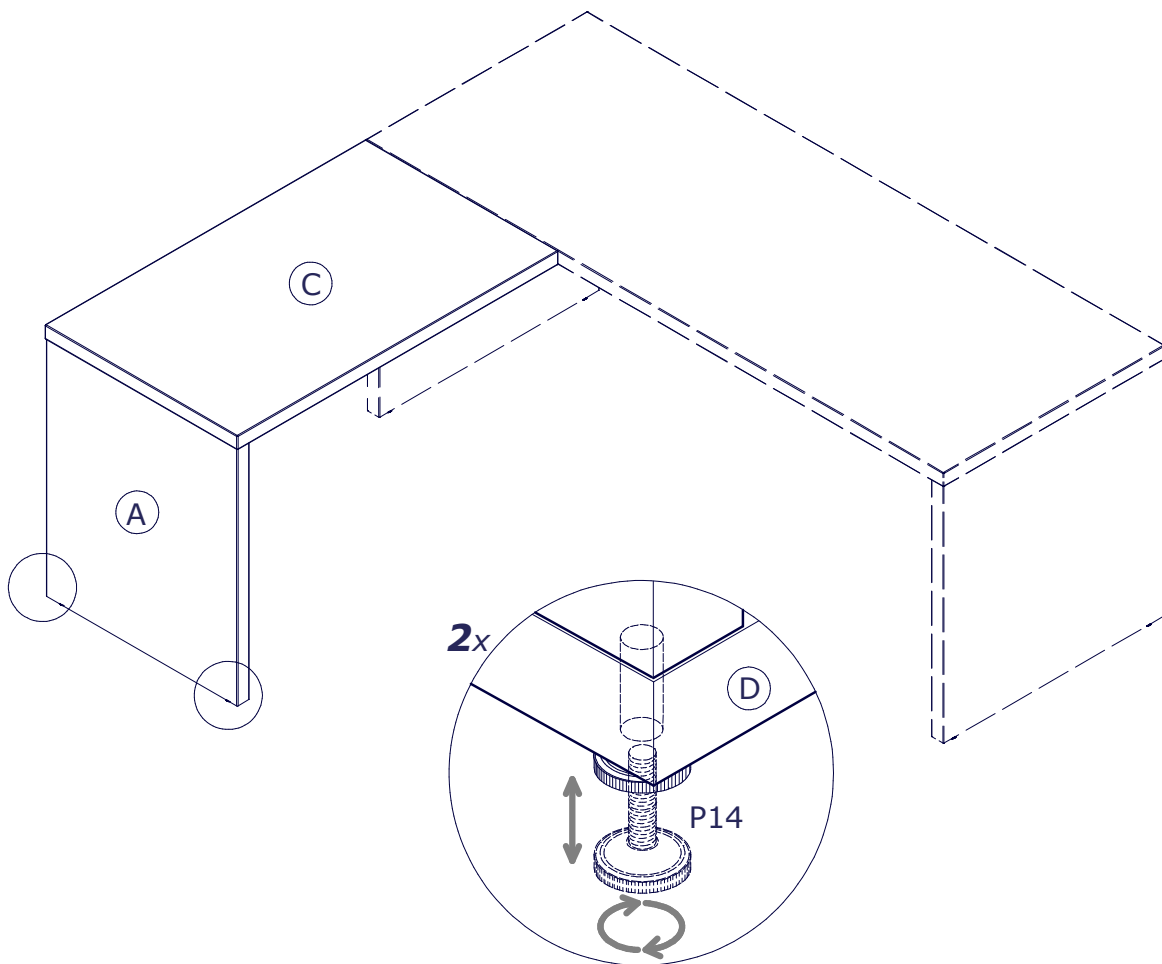


L

R



9



L

R

