

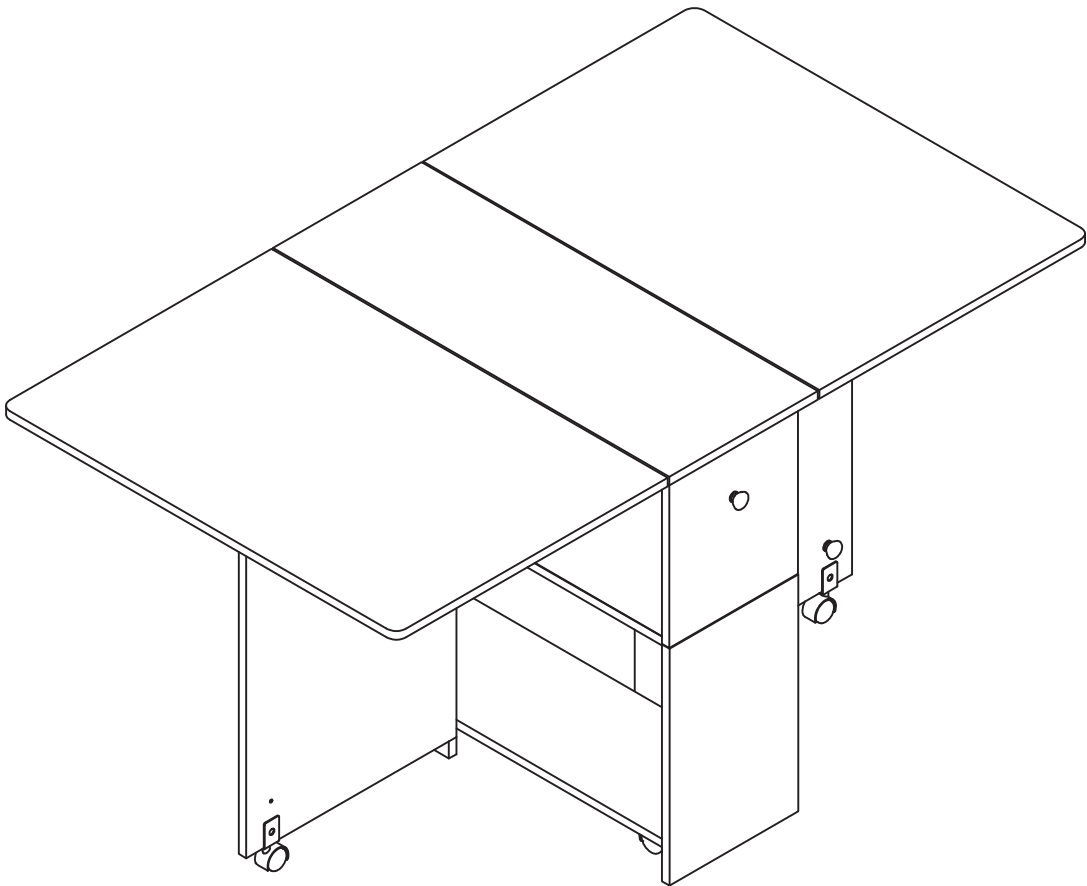
DINING TABLE

WITH DRAWER

User Manual

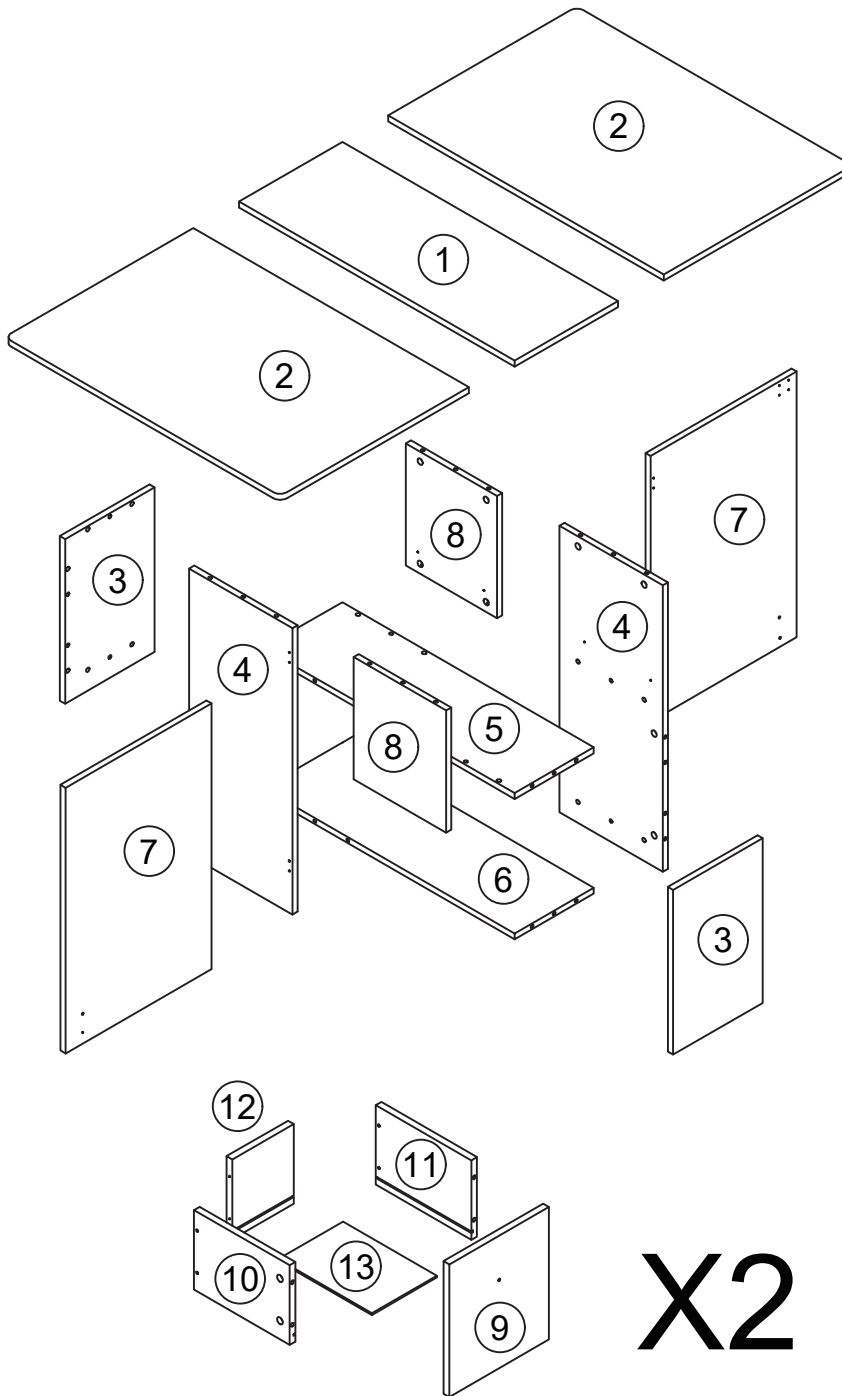
1

ASSEMBLY INSTRUCTIONS



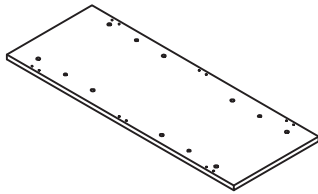
2

BOARD IDENTIFICATION



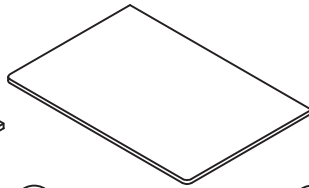
X2

PARTS LIST



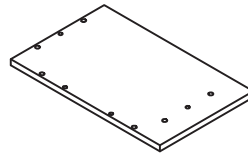
①

MAIN PANEL



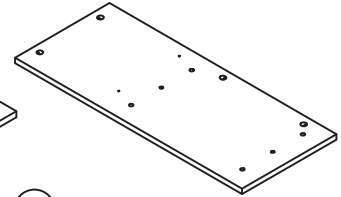
②

MAIN PANEL
QTY:2



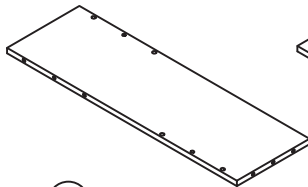
③

SIDE PANEL
QTY:2



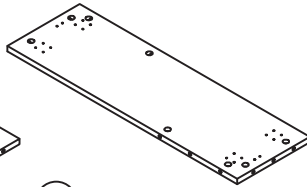
④

SIDE PANEL
QTY:2



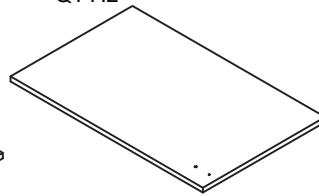
⑤

LAYER BOARD



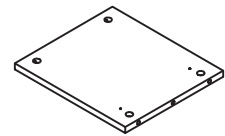
⑥

BOTTOM



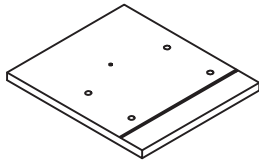
⑦

DOOR
QTY:2



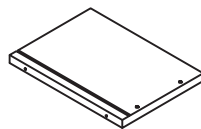
⑧

RAIL STANDING PANEL
QTY:2



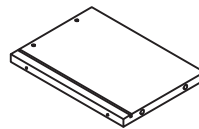
⑨

DRAWER RIGHT
QTY:2



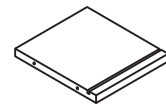
⑩

DRAWER LEFT
QTY:2



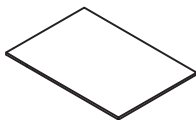
⑪

DRAWER RIGHT
QTY:2



⑫

DRAWER BACK
QTY:2

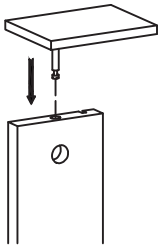


⑬

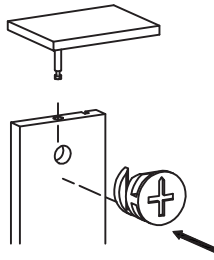
DRAWER BOTTOM
QTY:2

4

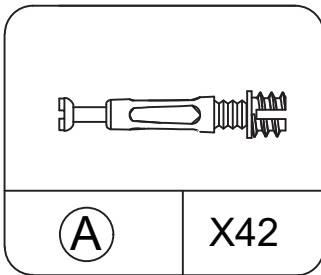
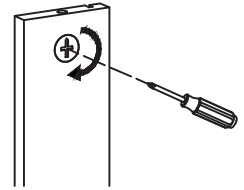
1



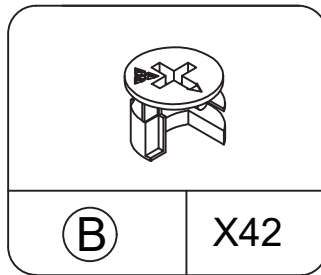
2



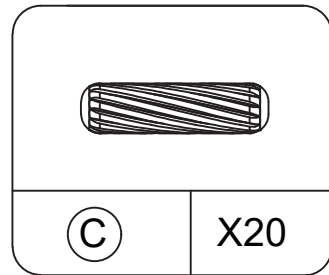
3



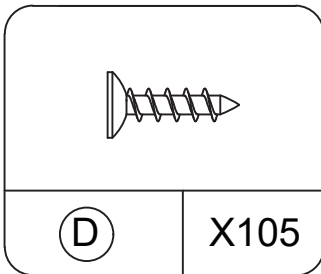
CAM BOLT
F7*30



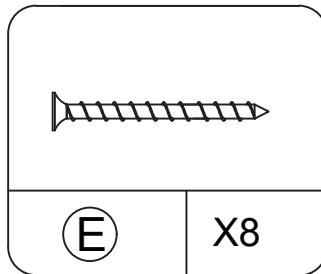
CAM LOCK
F15*11



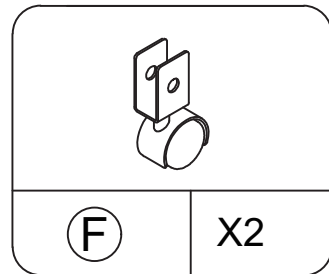
WOOD DOWEL
F8*30



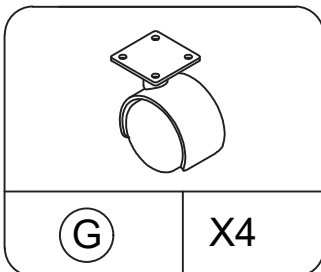
SCREW
F3.5*14



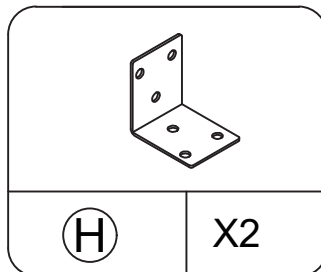
SCREW
F4*35



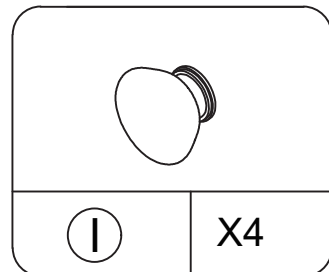
PULLEY



PULLEY



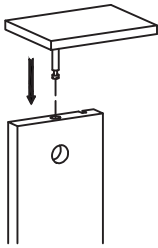
CORNER CODE



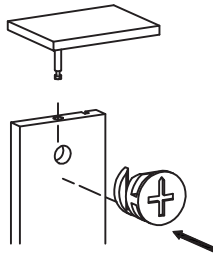
HANDLE

5

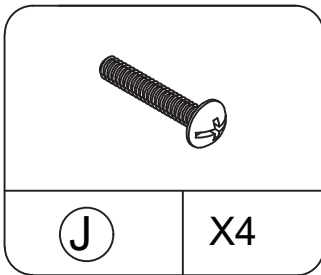
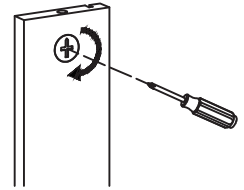
1



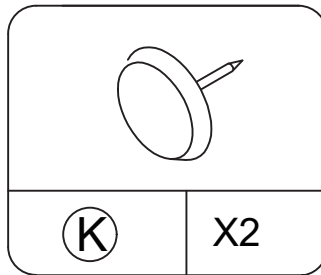
2



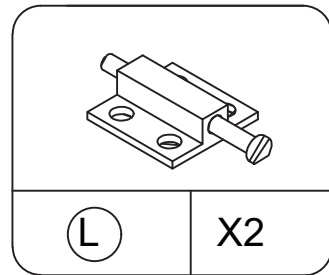
3



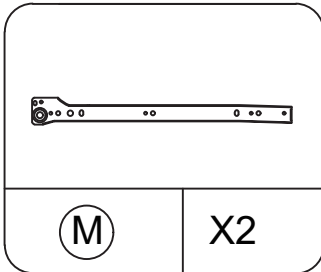
SCREW
F4*18



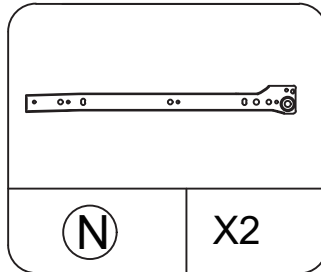
SPIKES



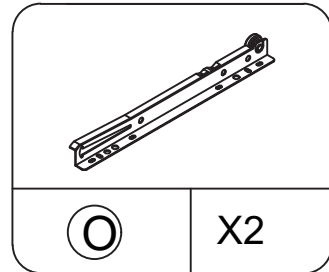
MAGNETIC PUSH
LATCH



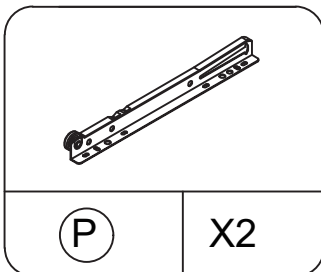
LEFT OUTER TRACK
F20*300



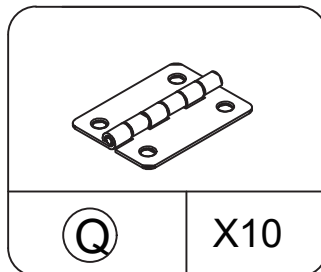
RIGHT OUTER TRACK
F20*300



LEFT INNER TRACK
F20*300



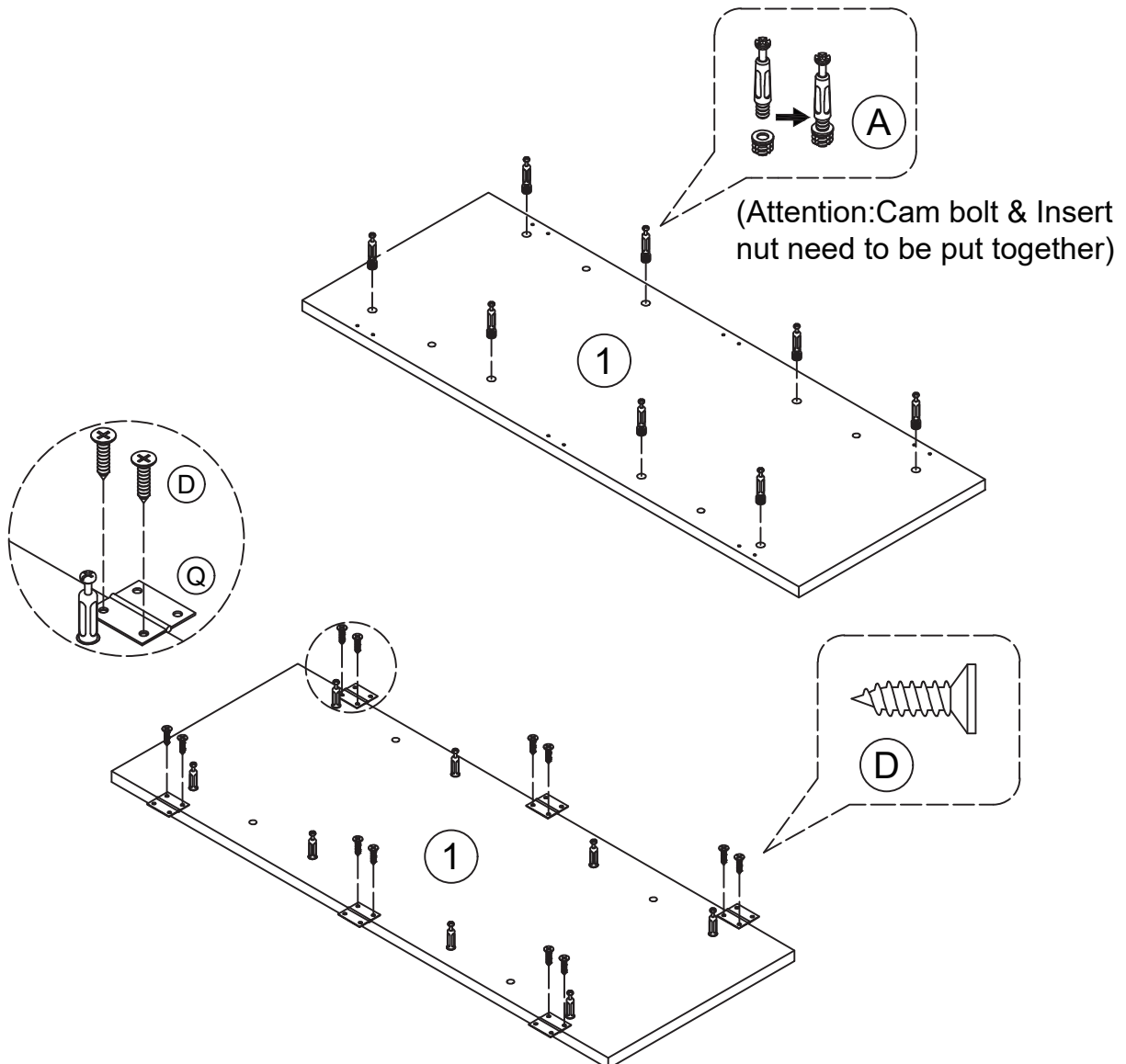
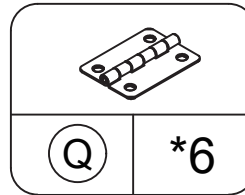
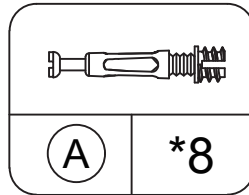
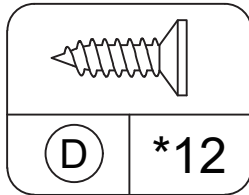
RIGHT INNER TRACK
F20*300



HINGE

STEP 1

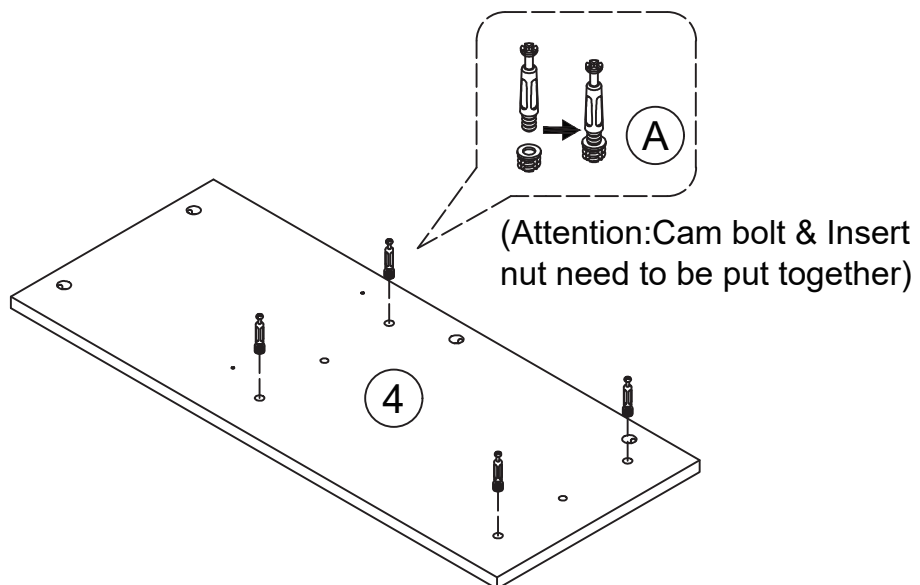
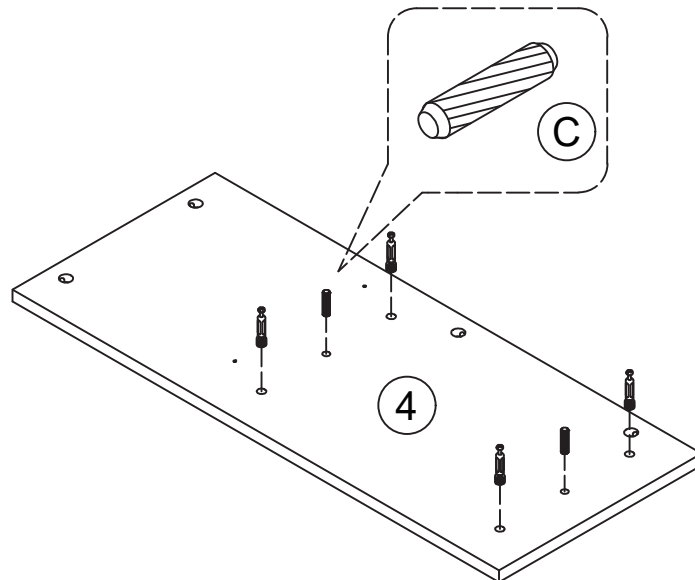
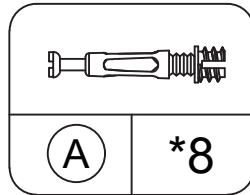
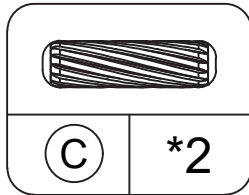
- Screw the cam bolt (A) into the panel (1).
- Install hinge (Q) to panel (1) with screws (D).



7

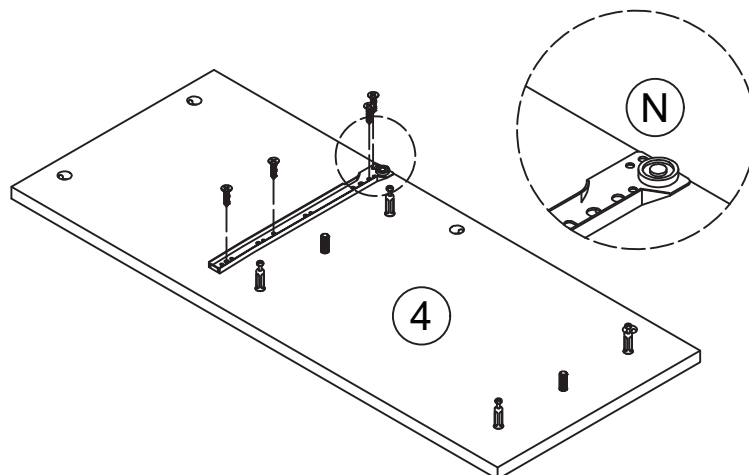
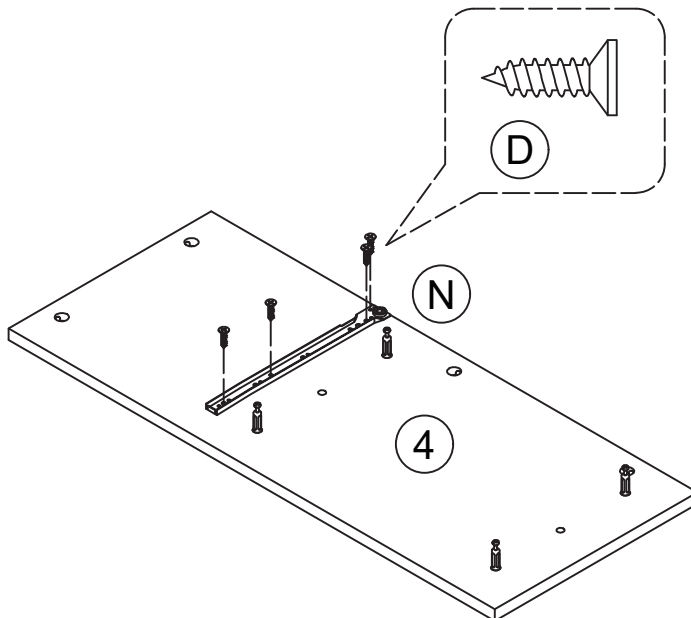
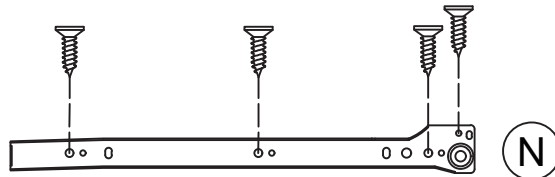
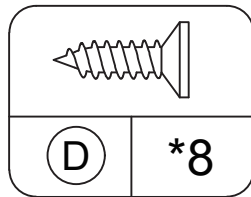
STEP 2

- Screw the cam bolt (A) into the panel (4).
- Insert wood dowels (C) into panel (4).



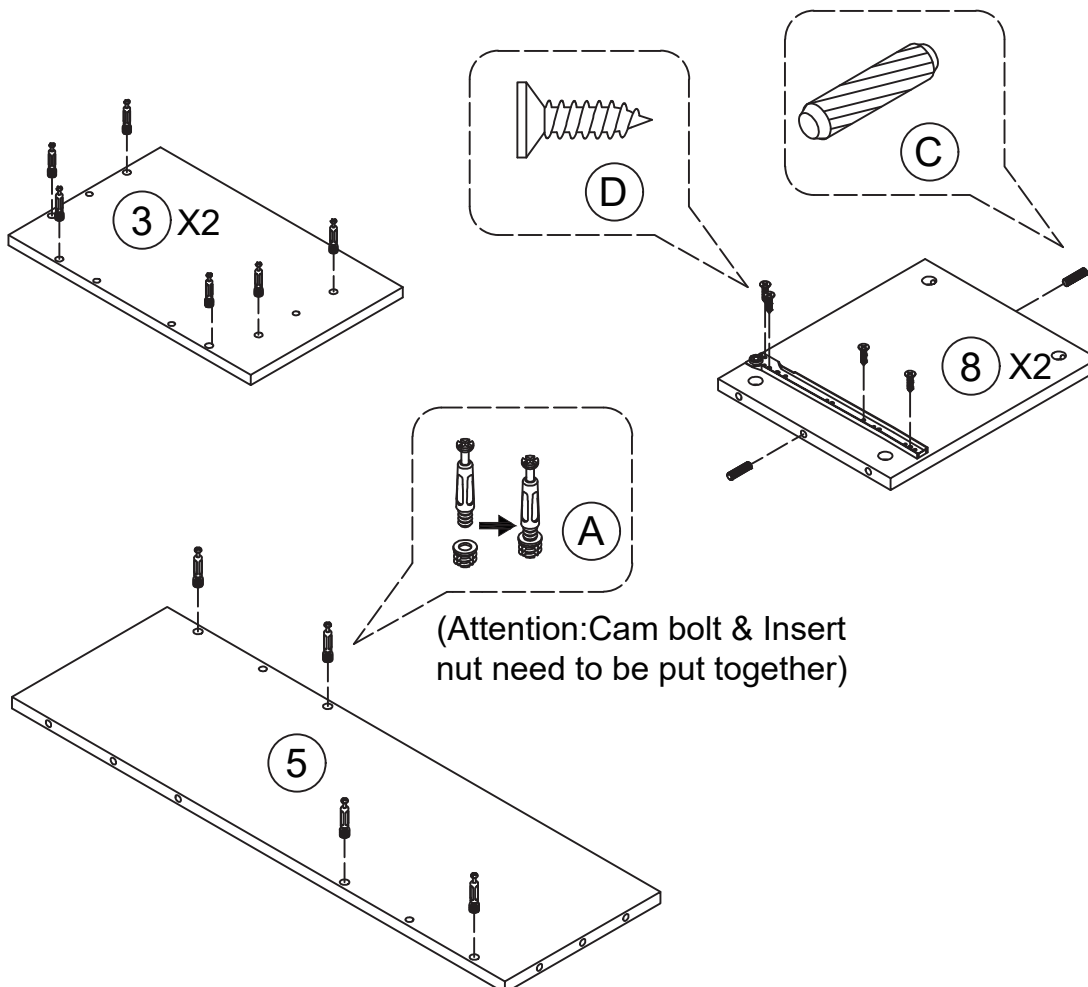
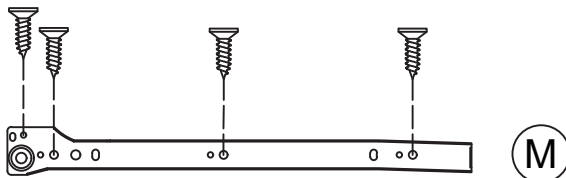
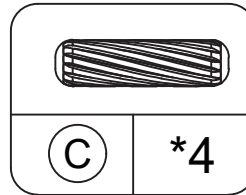
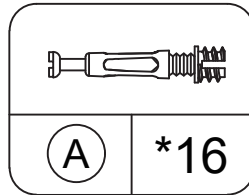
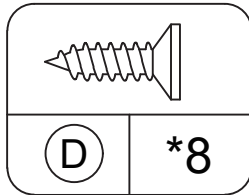
STEP 3

-Install drawer track (N) to panel (4) with screws(D).



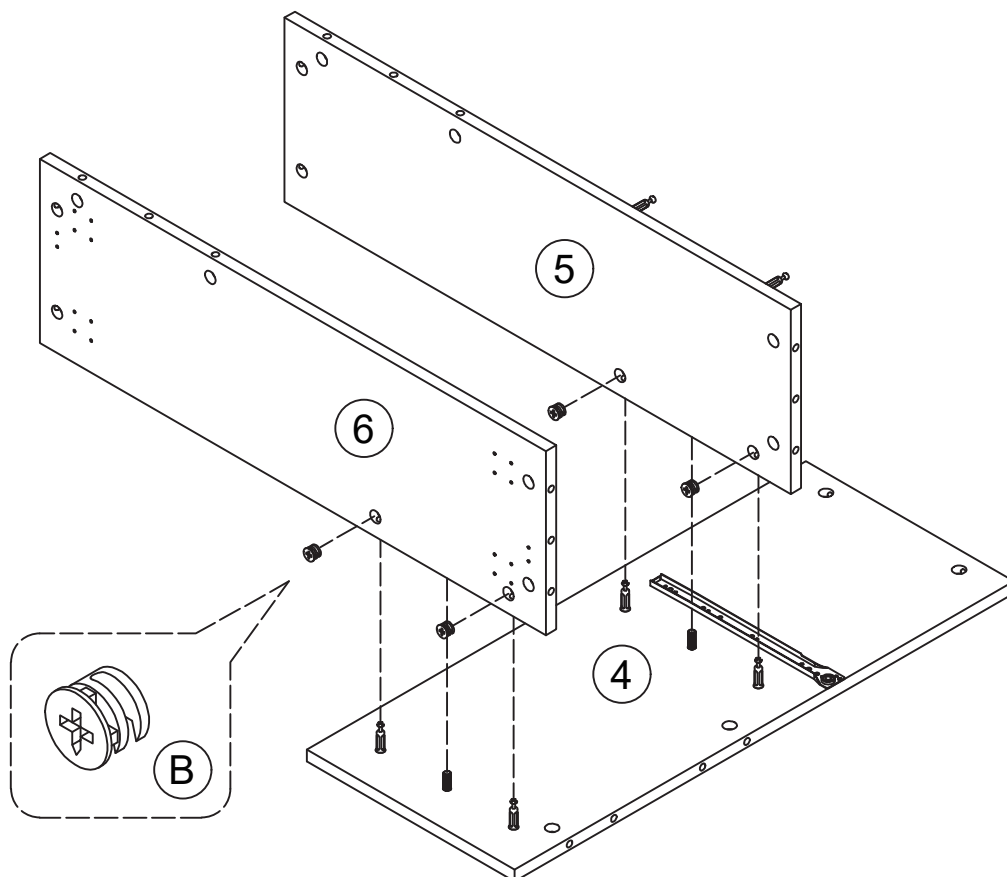
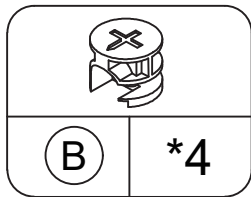
STEP 4

- Screw the cam bolt (A) into the panel (3) & (5).
- Insert wood dowels (C) into panel (8).
- Install drawer track (M) to panel (8) with screws(D).



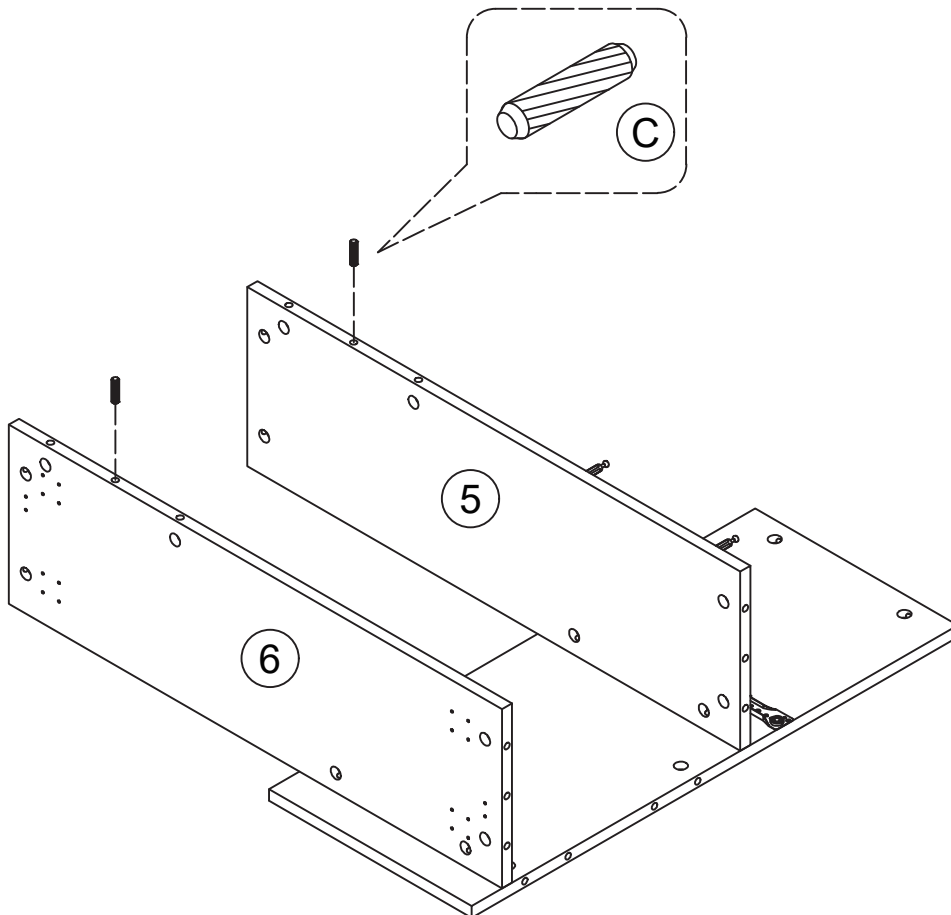
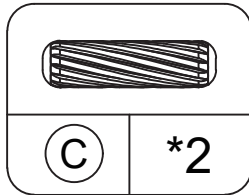
STEP 5

-Attach panel (5) & (6) to (4) and lock with cam (B).



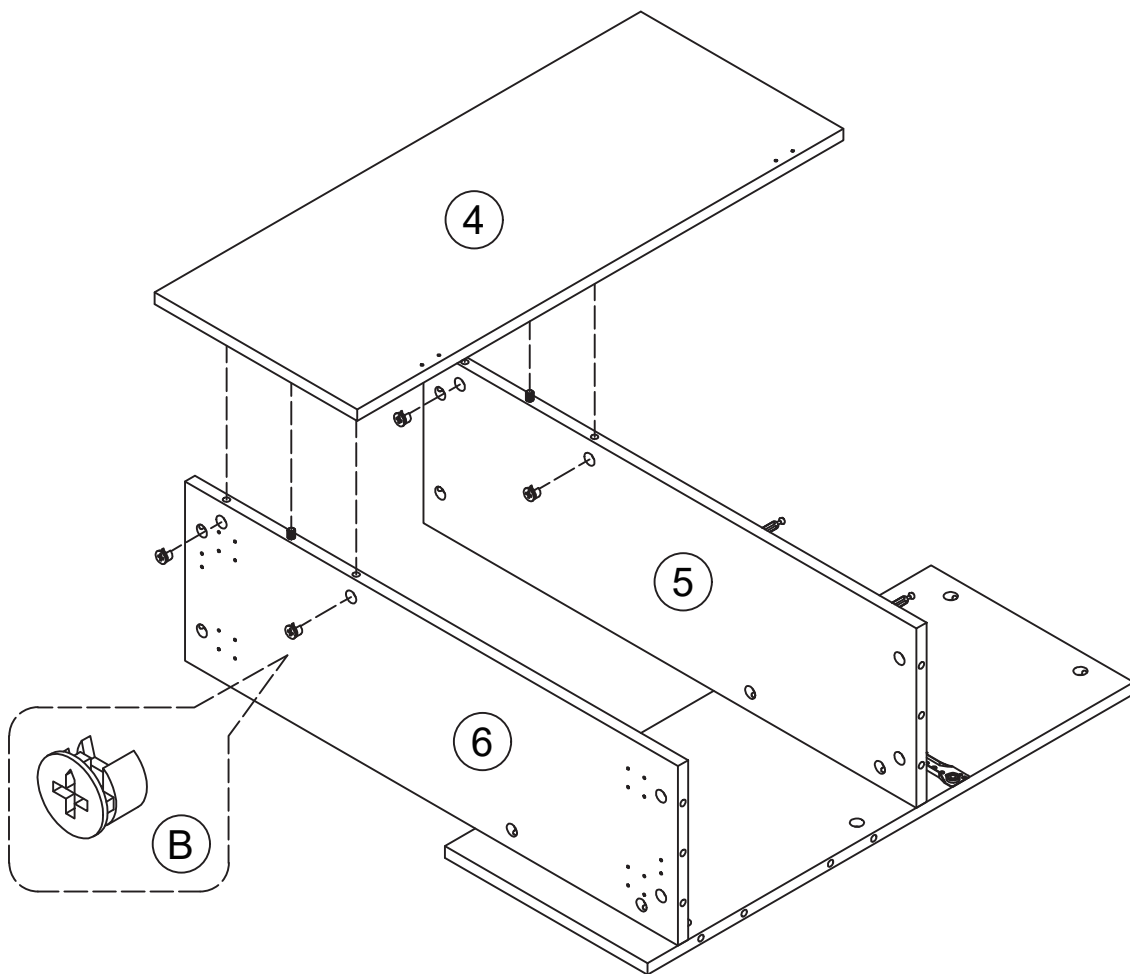
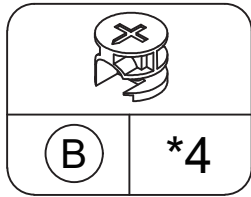
STEP 6

-Insert wood dowels (C) into panel (5) & (6) .



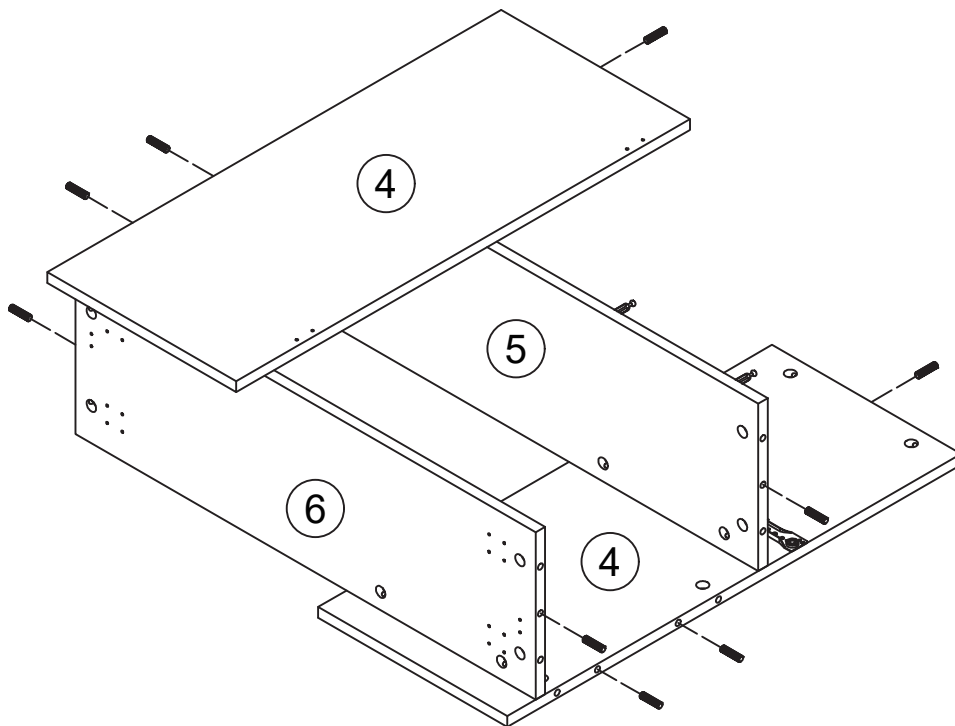
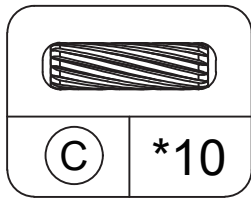
STEP 7

-Attach panel (4) to (5) & (6) and lock with cam (B).



STEP 8

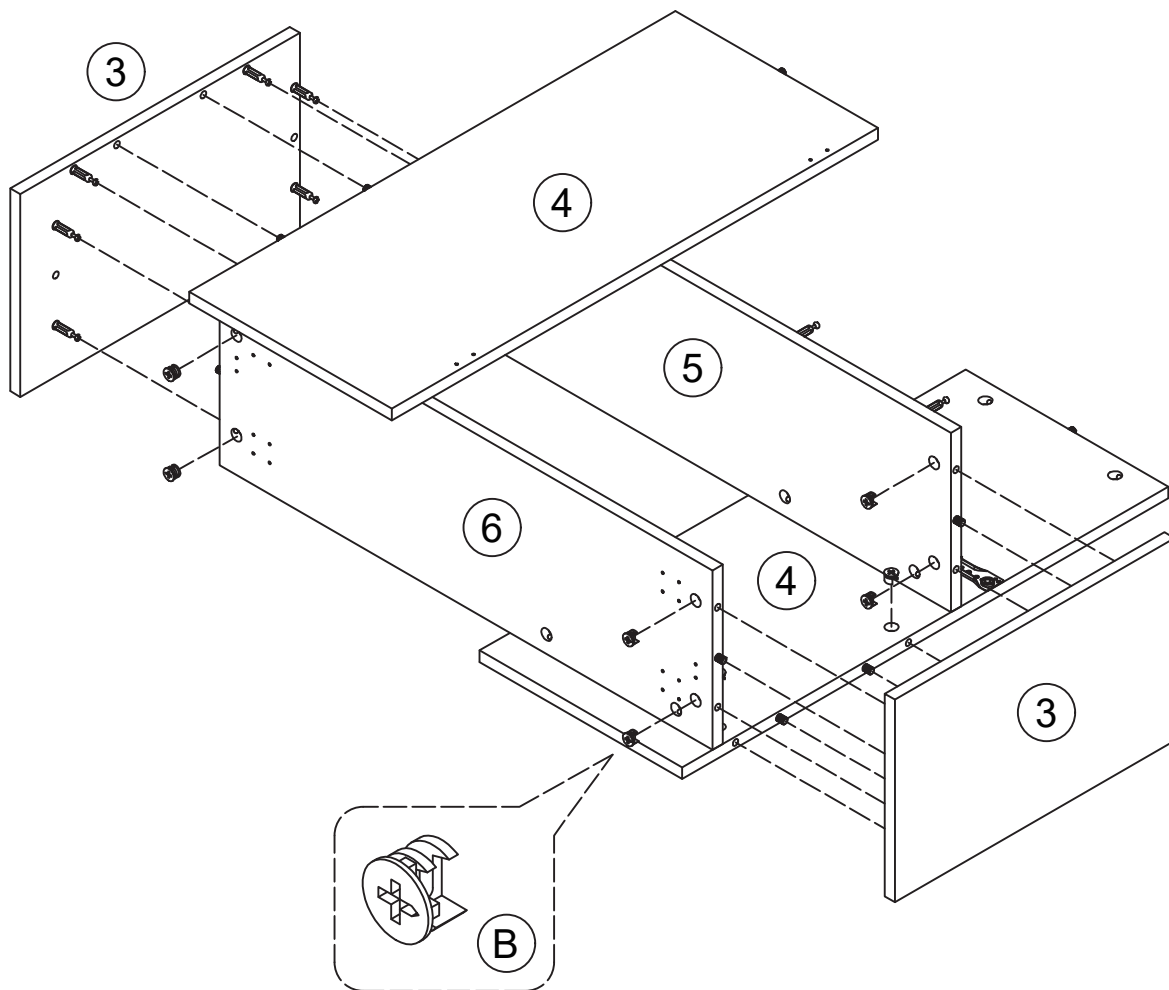
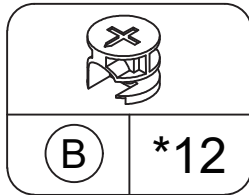
-Insert wood dowels (C) into panel (4) & (5) & (6) .



14

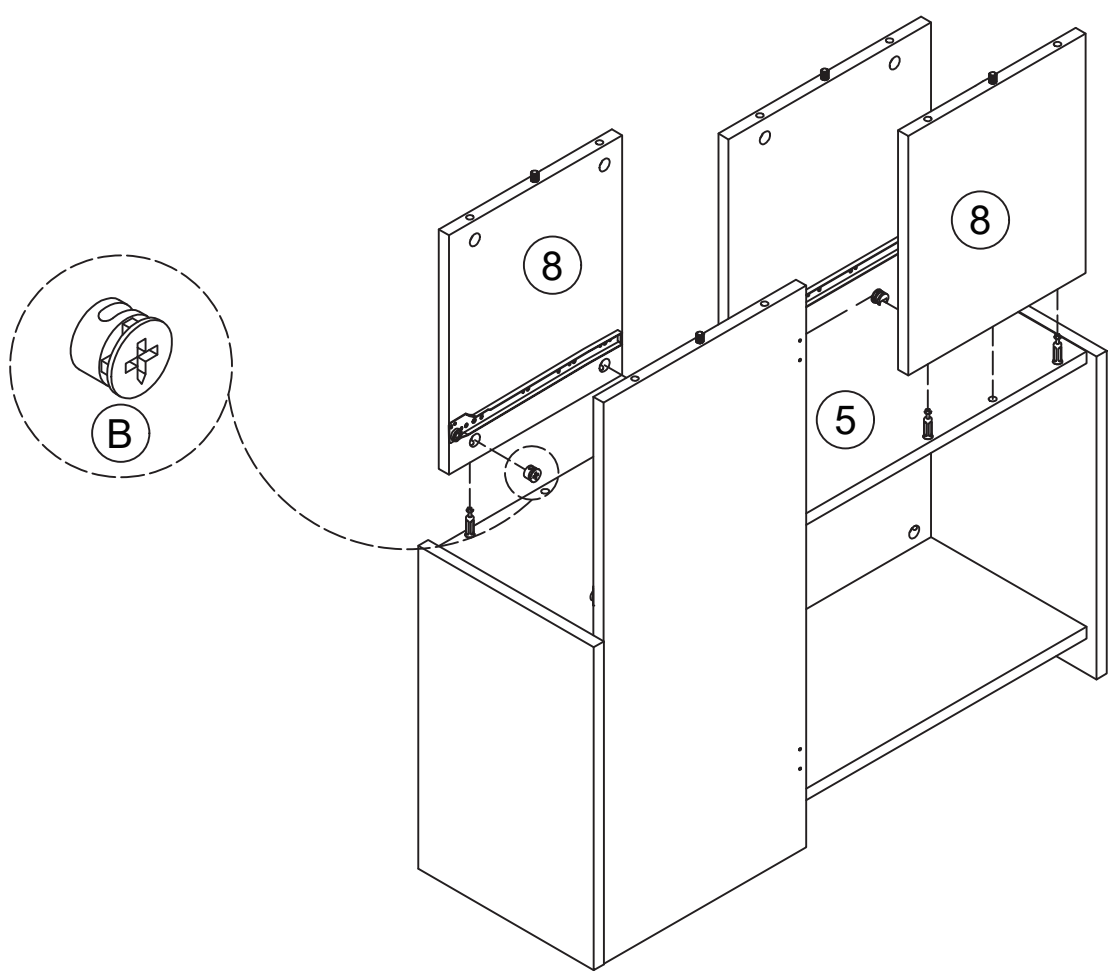
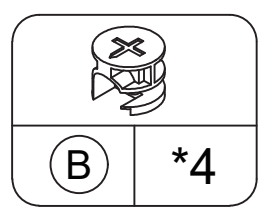
STEP 9

-Attach panel (3) to (4) & (5) & (6) and lock with cam (B).



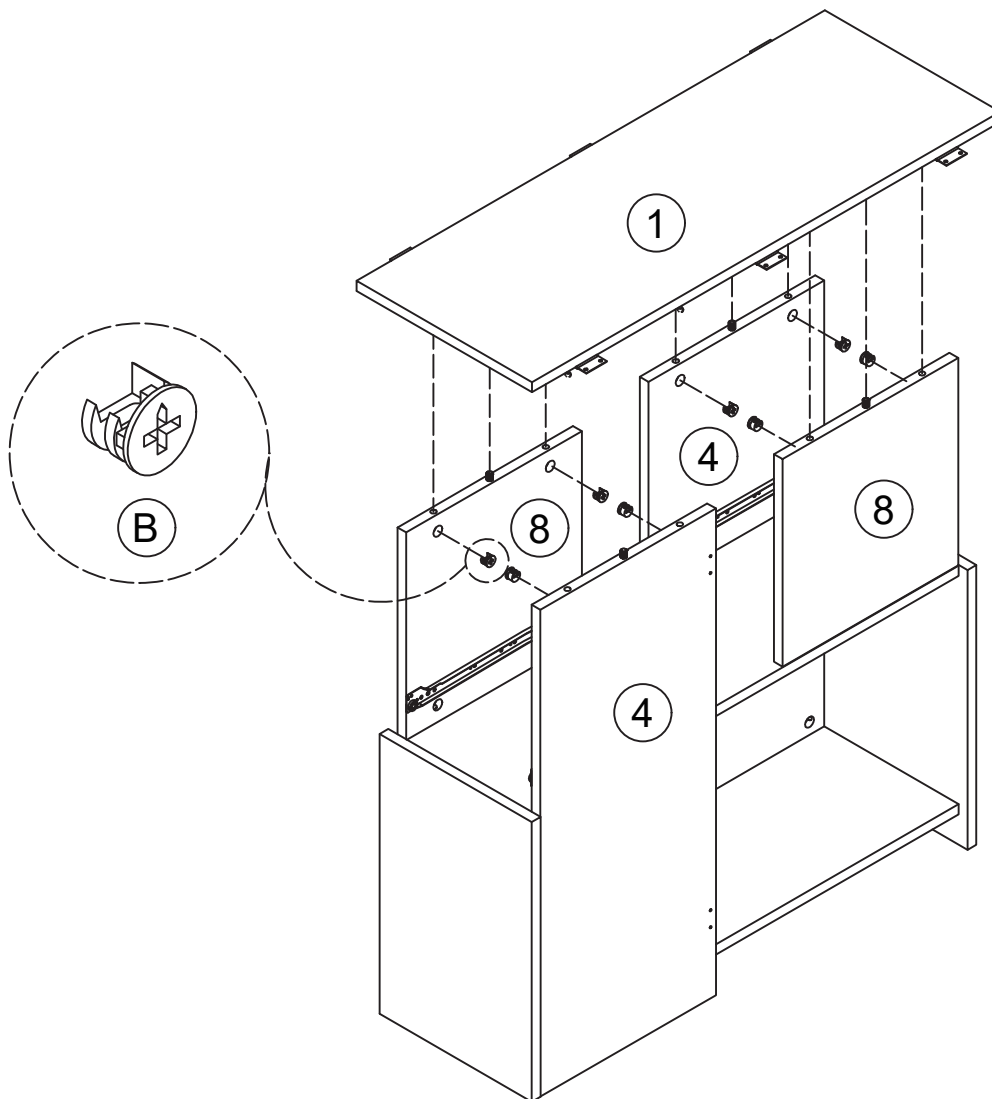
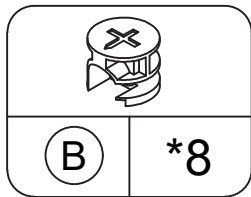
STEP 10

-Attach panel (8) to (5) and lock with cam (B).



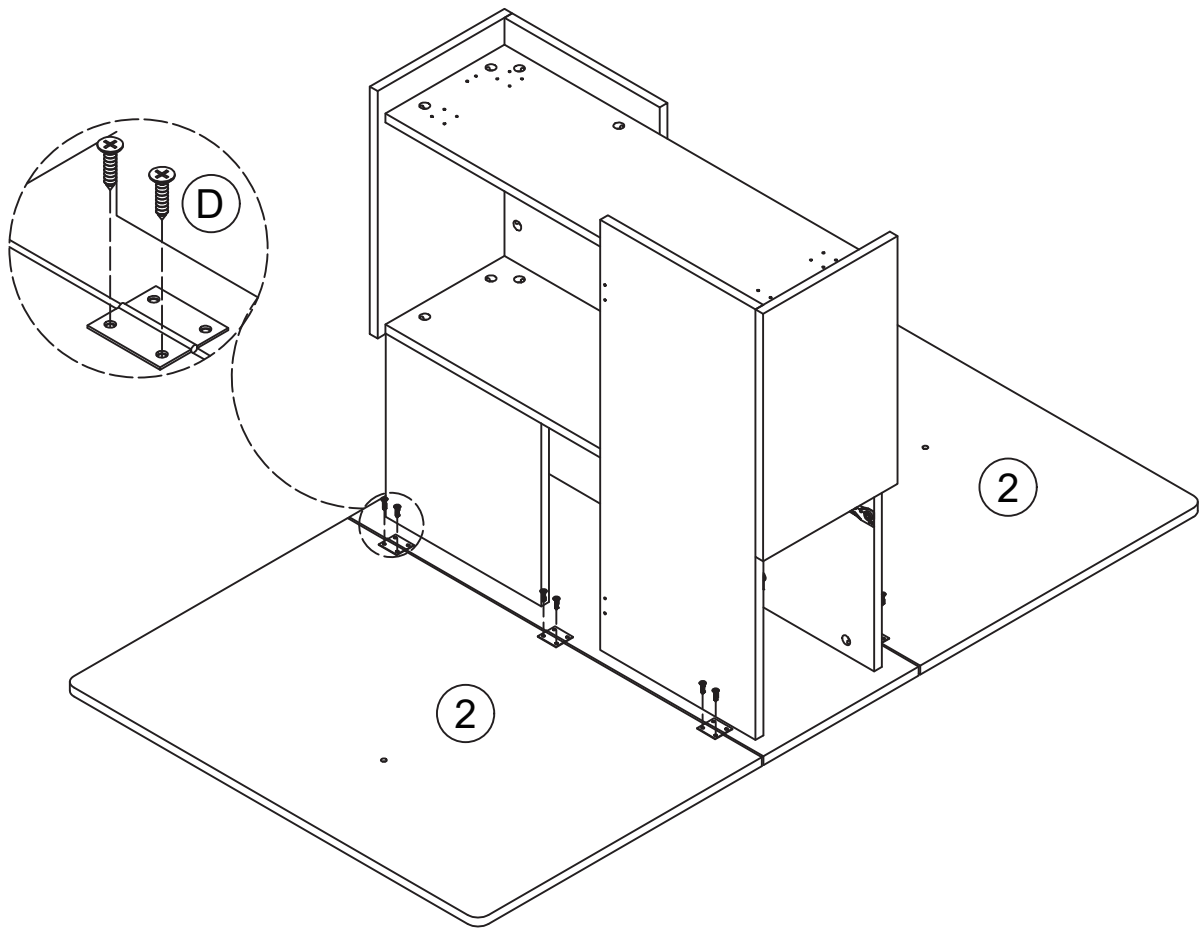
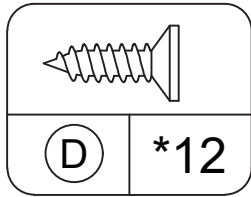
STEP 11

-Attach panel (1) to (4) & (8) and lock with cam (B).



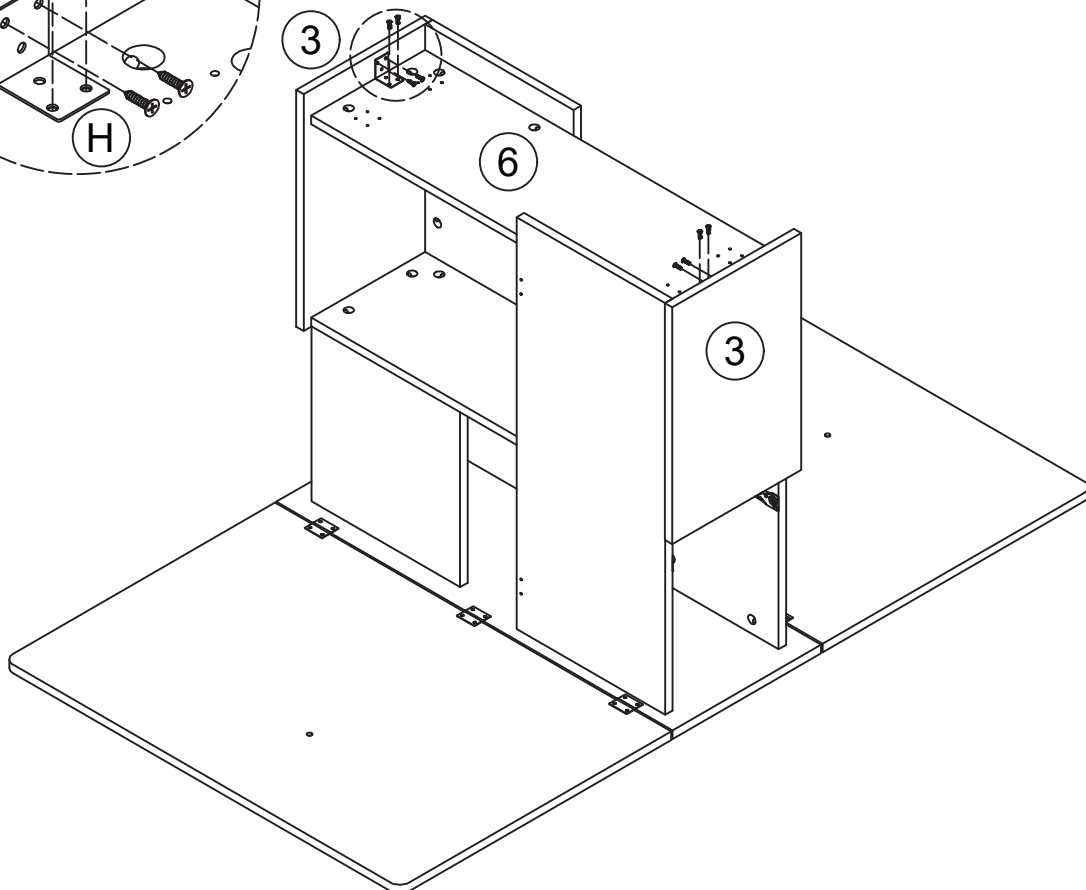
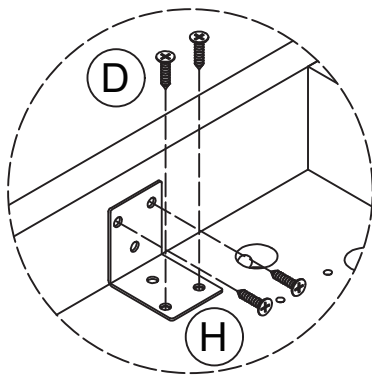
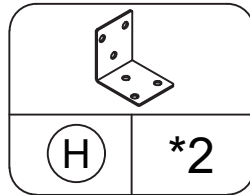
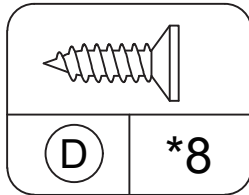
STEP 12

-Install hinge (Q) to panel (2) with screws (D).



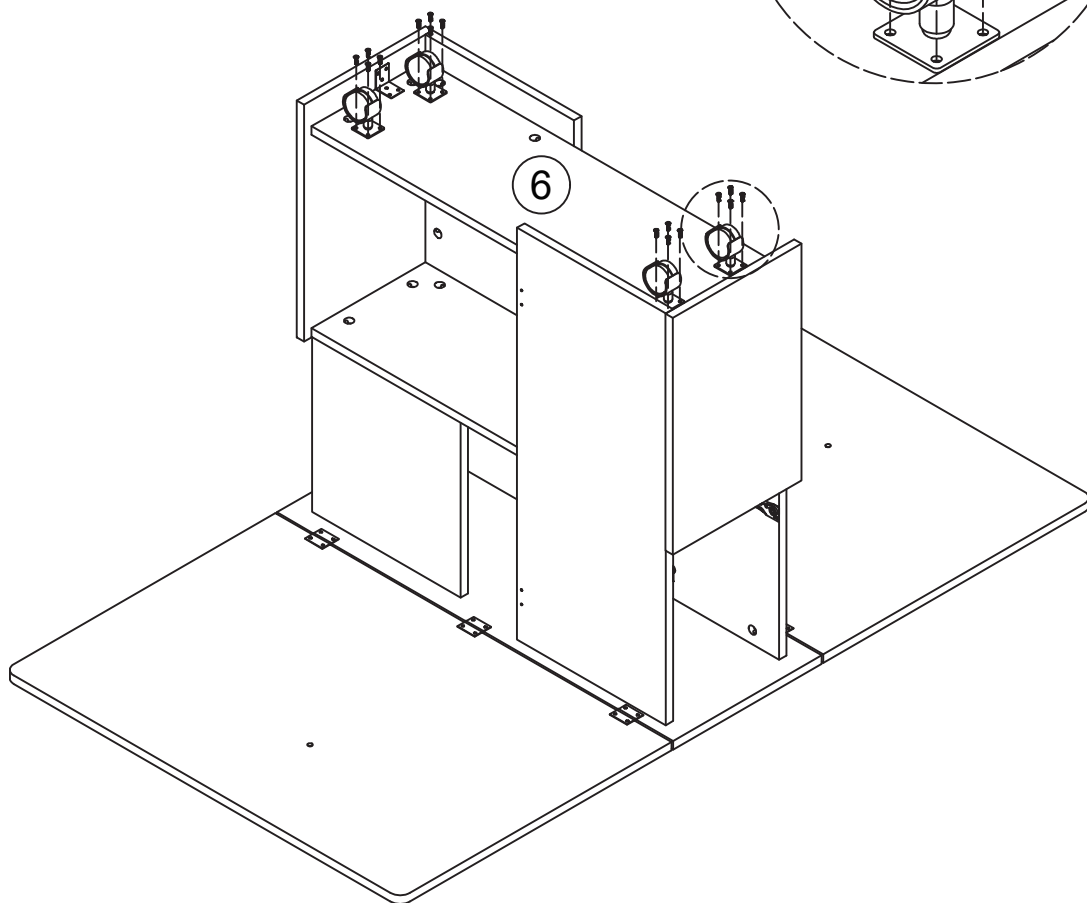
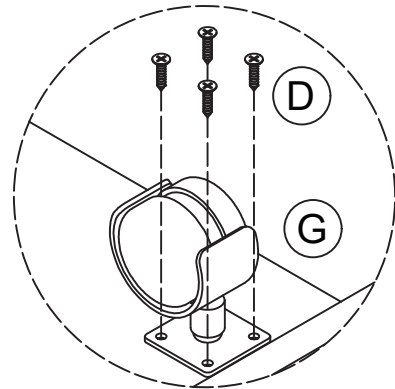
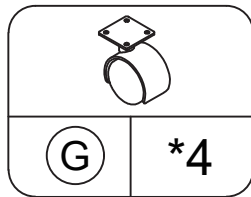
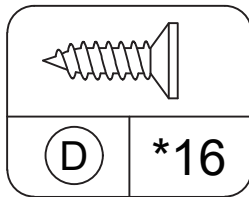
STEP 13

-Attach corner code (H) to plane (3) & (6) with screw (D)



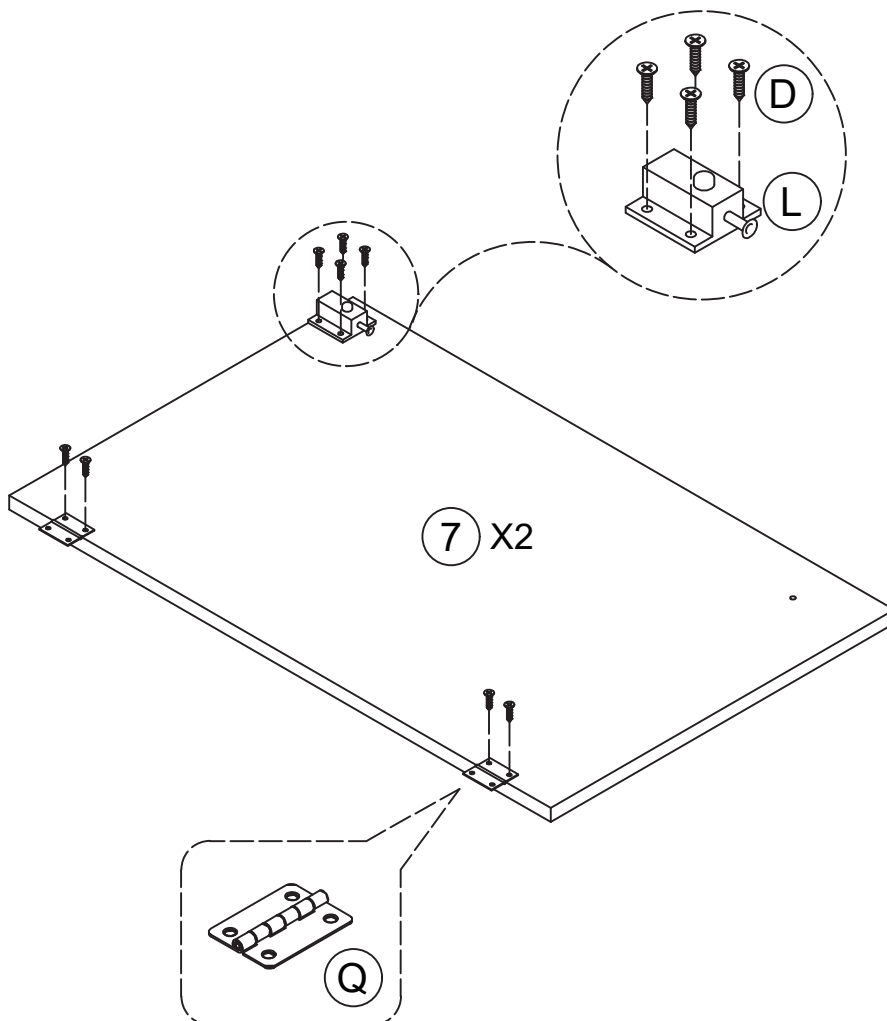
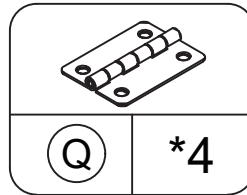
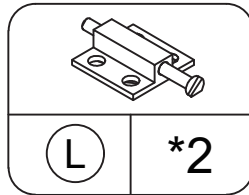
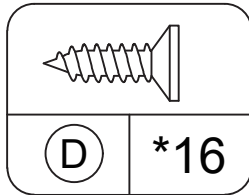
STEP 14

- Install pulley (G) to panel (6) with screws (D).



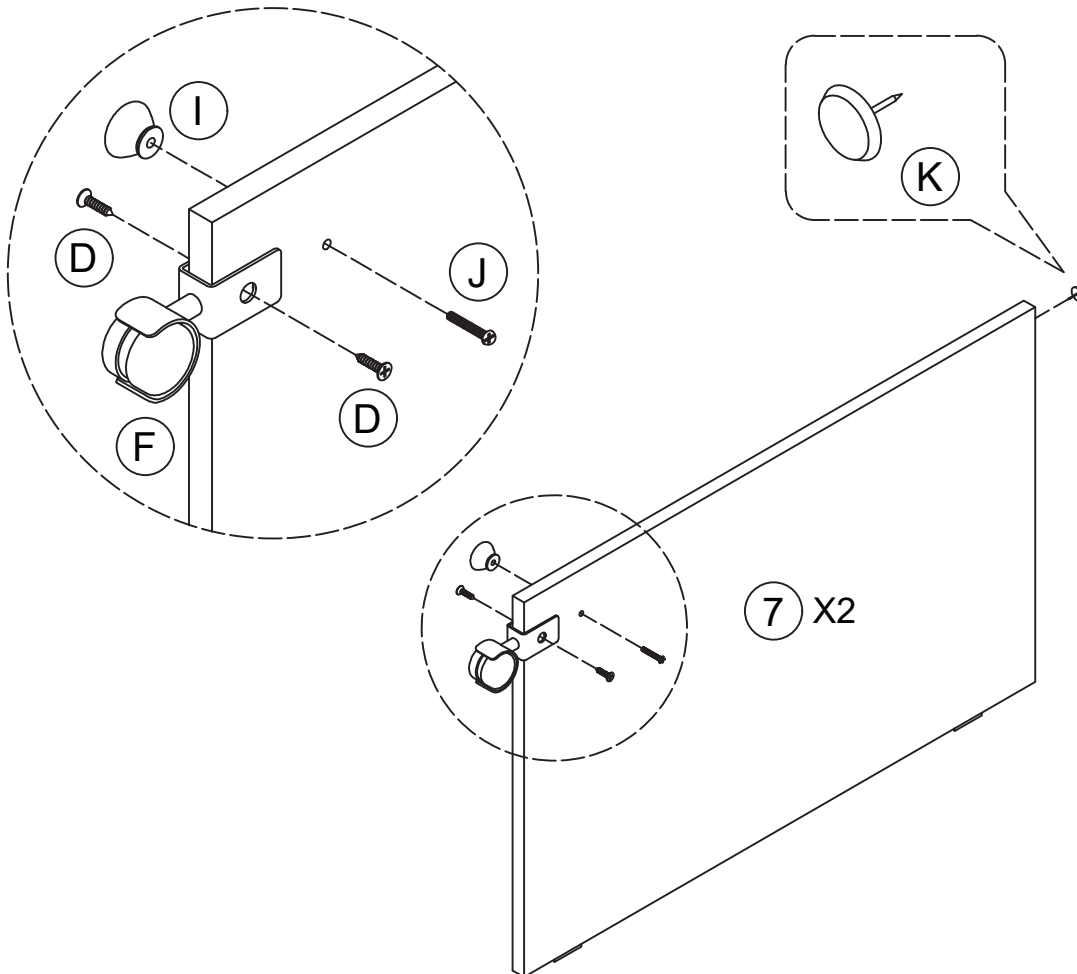
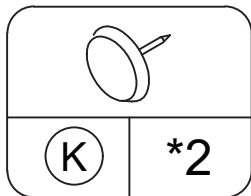
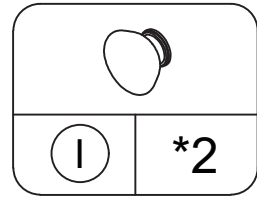
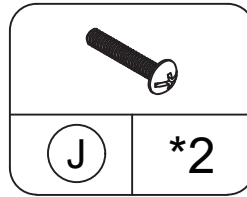
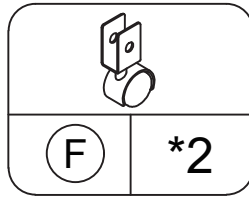
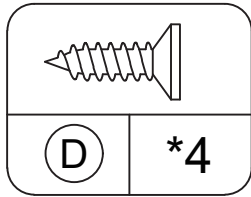
STEP 15

- Install magnetic push latch (L) to panel (7) with screws (D).
- Install hinge (Q) to panel (7) with screws (D).



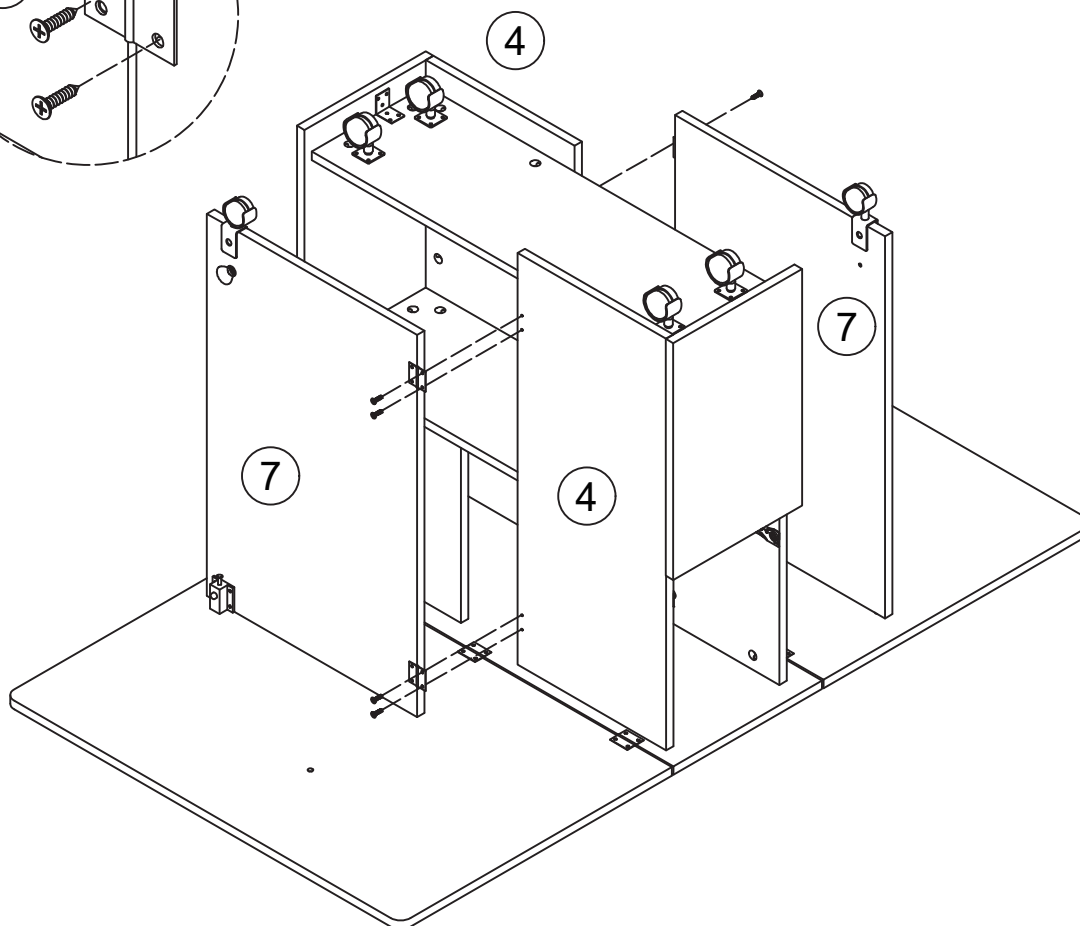
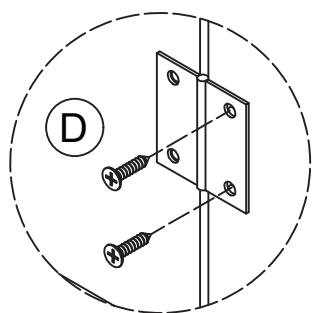
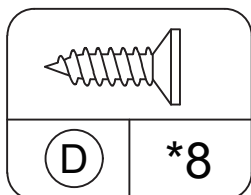
STEP 16

- Install handle (I) to panel (7) with bolts (J).
- Knock spikess (K) into panel (7) as below shown.
- Install pulley (F) to panel (7) with screws (D).



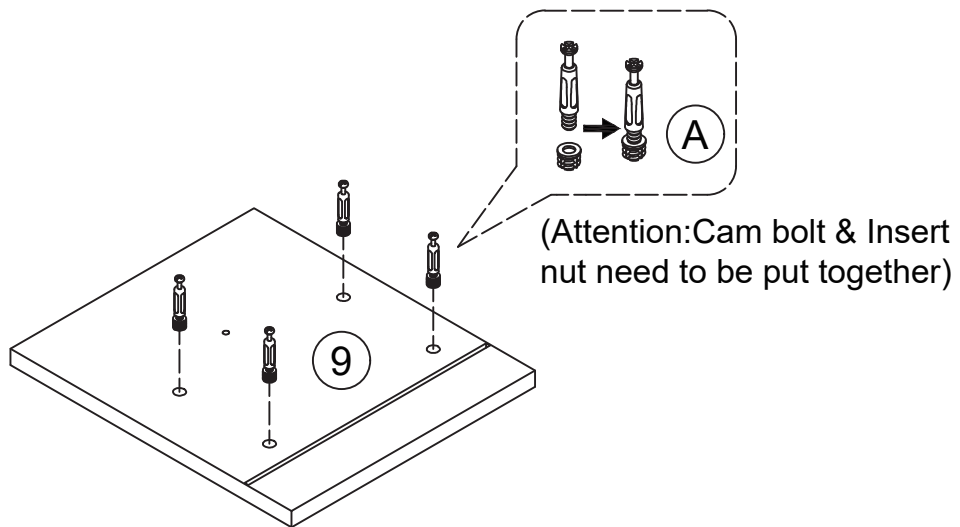
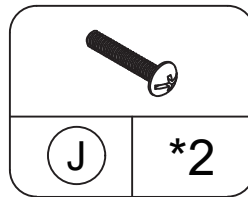
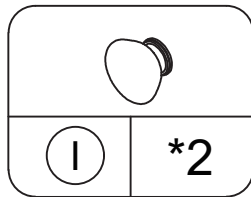
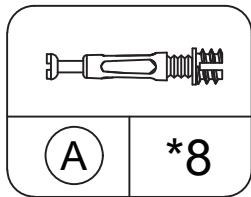
STEP 17

- Install hinge (Q) to panel (4) with screws (D).

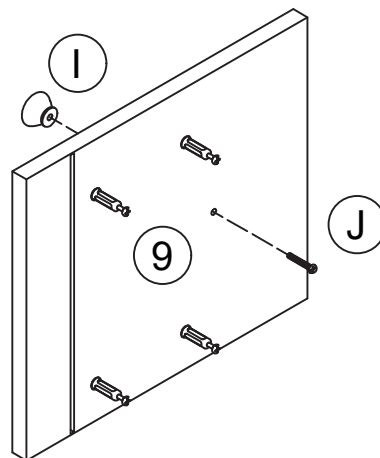


STEP 18

- Screw the cam bolt (A) into the panel (9).
- Install handle (I) to panel (9) with bolts (J).

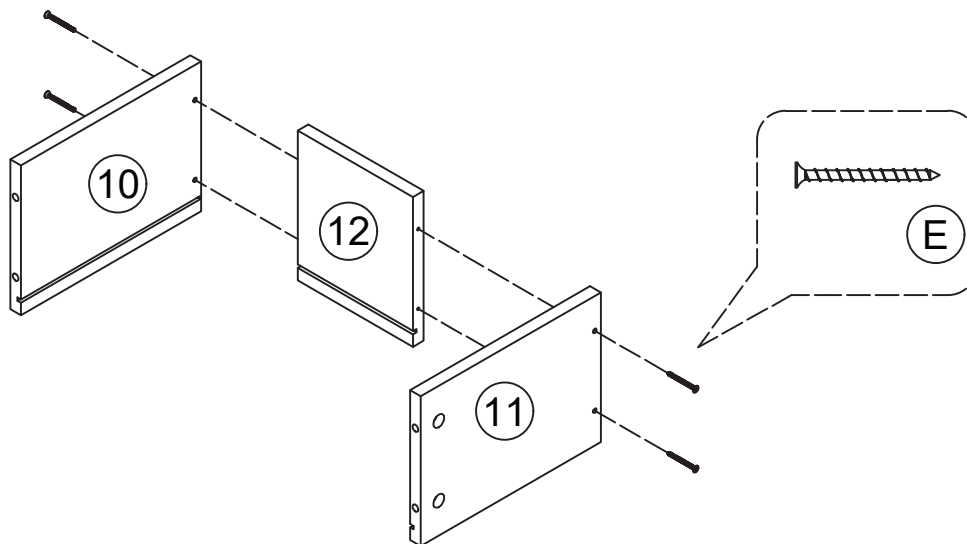
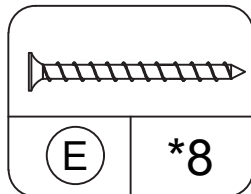
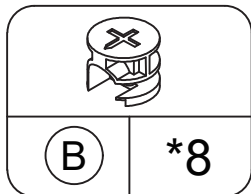


X2

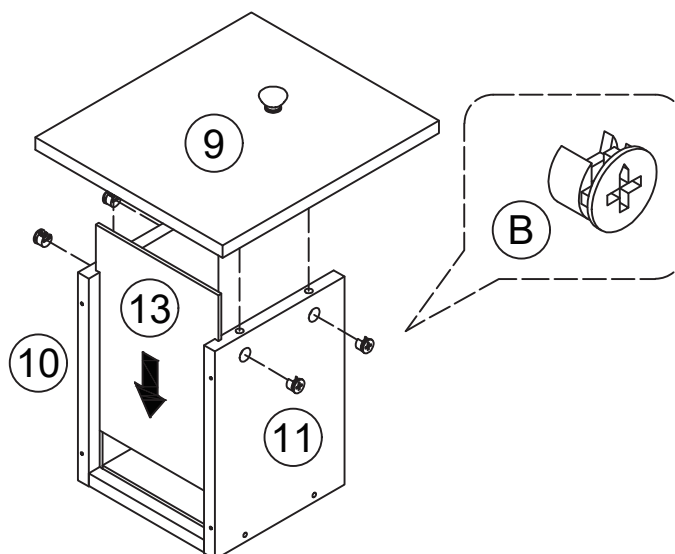


STEP 19

- Attach panel (10) & (11) to (12) with screw (E).
- Insert panel (13) into the grooves.
- Attach panel (9) to (10) & (11) with cam locks (B).

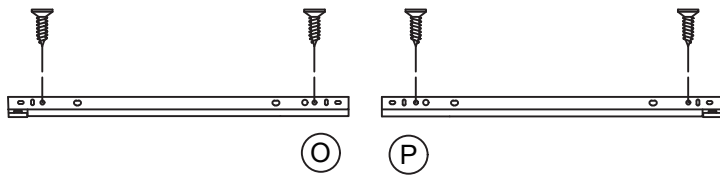
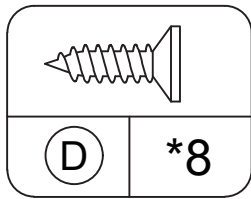


X2



STEP 20

- Install drawer track (O) & (P) to panel (10) & (11) with screws (D).
- Insert the drawers.



X2

