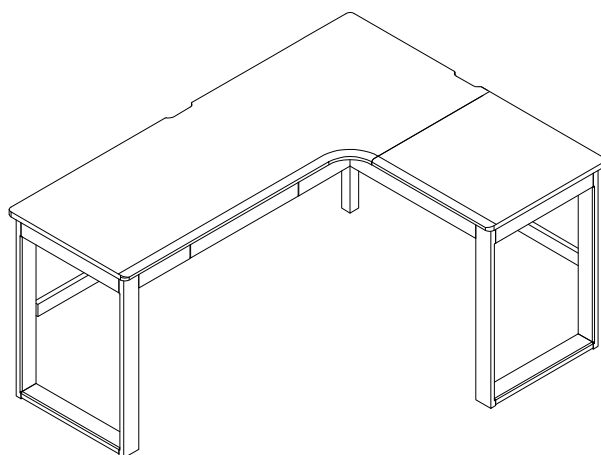
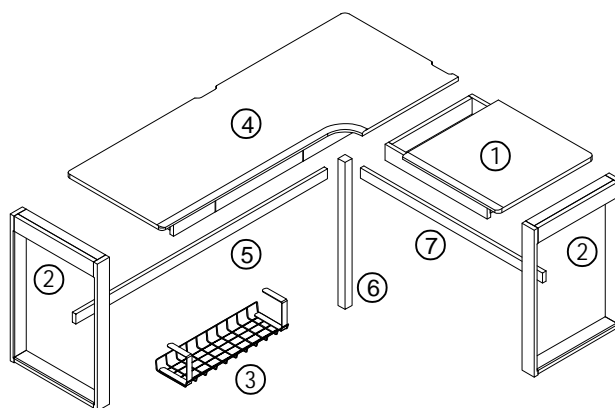


Desk assembly manual

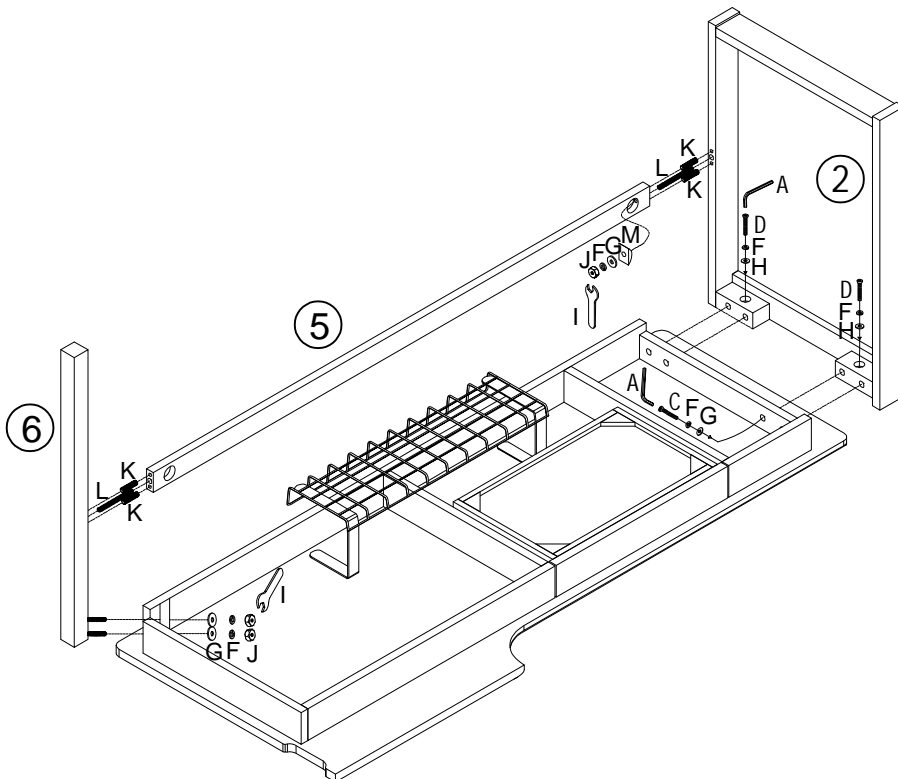
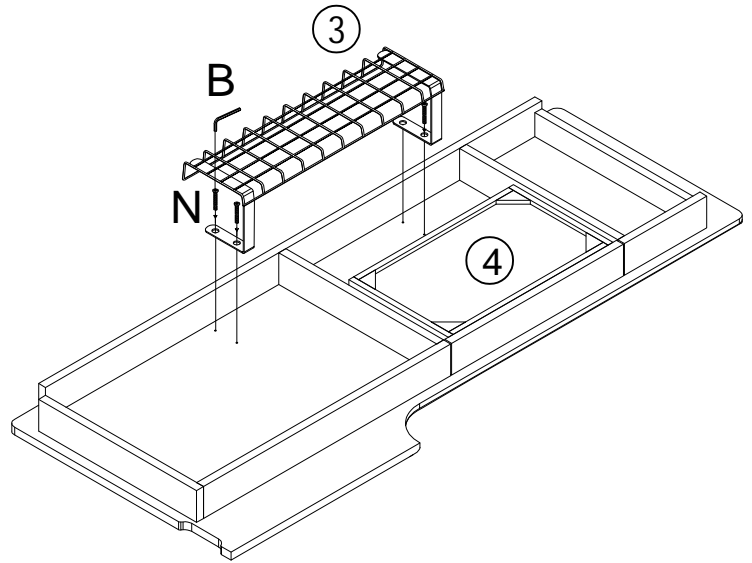
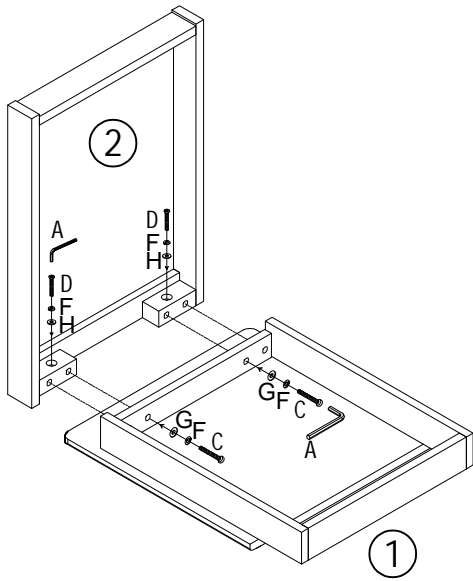


List of components

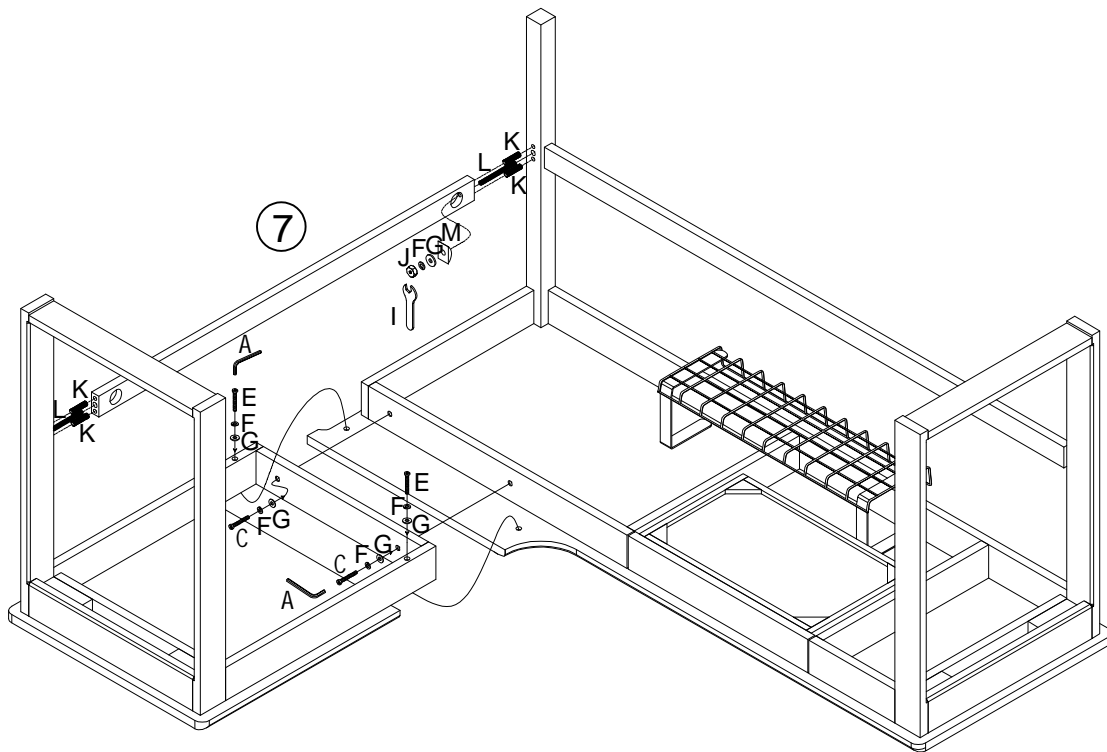


A:Hex key5#=1	B:Hex key4#=1	C:screw M8*3=10	D:screw M8*55=4	E:screw M8*65=2	F:Spring washerø8=22	G : Flatgasket 14*8=18	H: Flat gasket16*8=4
I:Open end wrenchM8=1	J:nut M8=6	K:dowel 4*10=8	L:Double lead screwM8*80=4	M:Lune M8=4	N : screw M6*15=4		

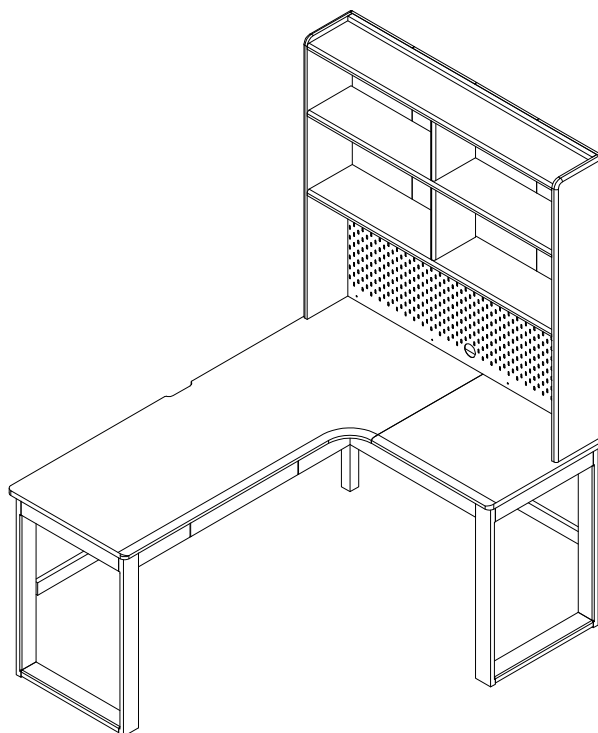
step 1: First, assemble the legs, lower transverse plate and Cable organizer Assemble in order of component position and hardware.



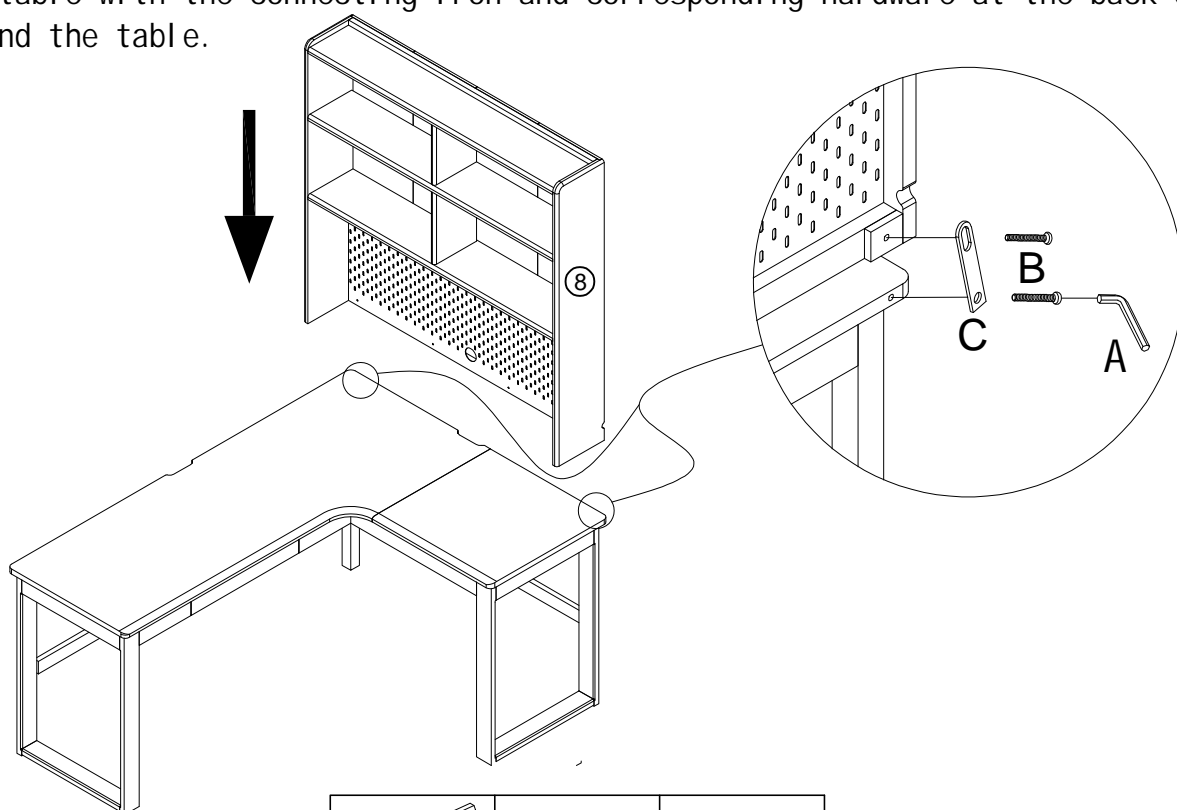
step 2: Assemble the small table top and the lower side plate according to the positions of the parts, corresponding holes and hardware sequence.






Bookshelf assembly manual



step 1: Straighten the table, place the shelf on the table, and connect the shelf and the table with the connecting iron and corresponding hardware at the back of the shelf and the table.



		
A:Hex key4#=1	B:screw M6*15=4	C:Connecting iron =2