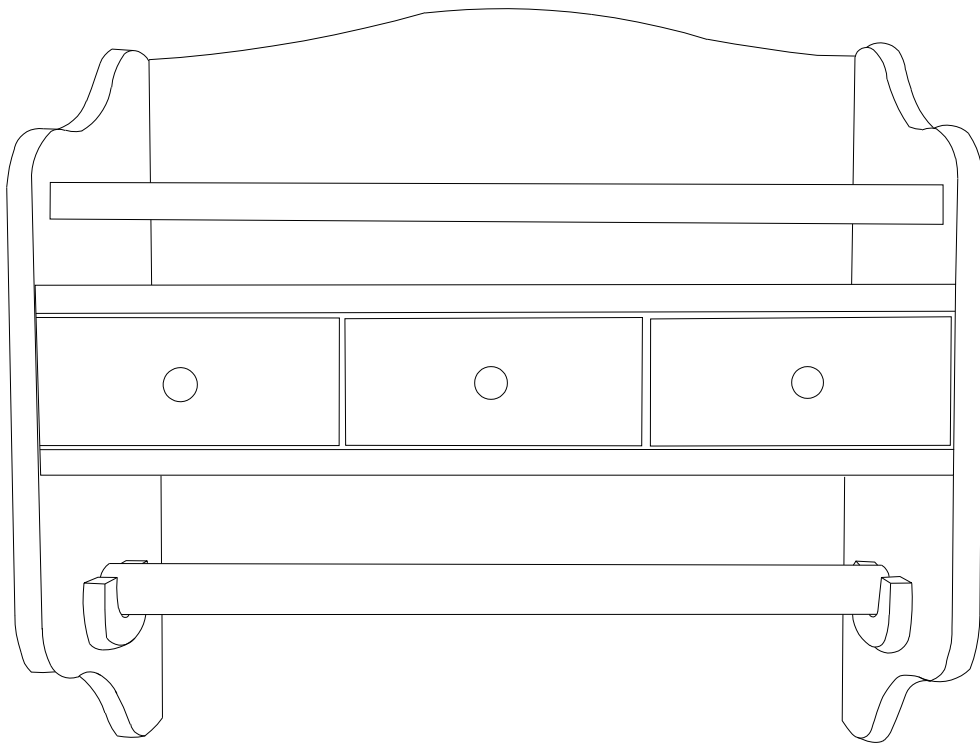


# Instruction Manual

## 3 in 1 Floating Shelf



Thank you for your order.  
We hope you enjoy your purchase.

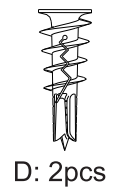
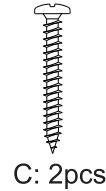
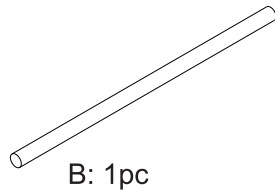
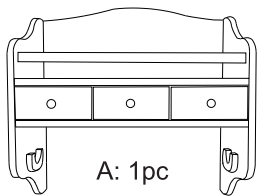
# PRE-ASSEMBLY PREPARATION:



THIS PACKAGE MAY CONTAIN SMALL ITEMS WHICH SHOULD BE KEPT AWAY FROM CHILDREN

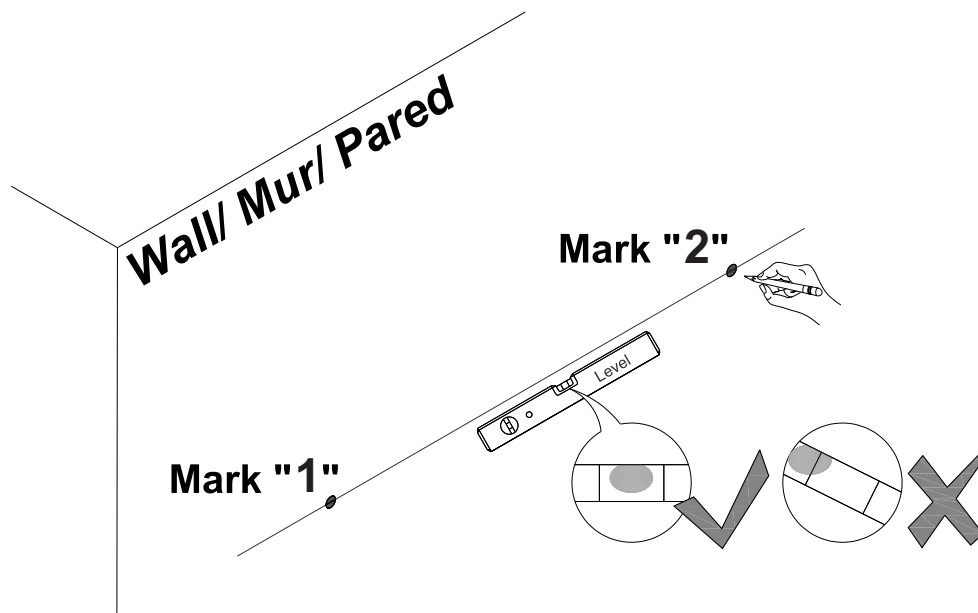
- Please check that all parts and hardware are included before beginning assembly.
- Save all packing materials until assembly is complete to avoid accidentally discarding smaller parts or hardware.
- Read through the preparation and assembly instructions in full before beginning assembly.
- Please use CAUTION AND CARE WHEN LIFTING the product to avoid personal injury and (or) damage to the product.
- For ease of assembly, two adults are recommended.

## LIST:

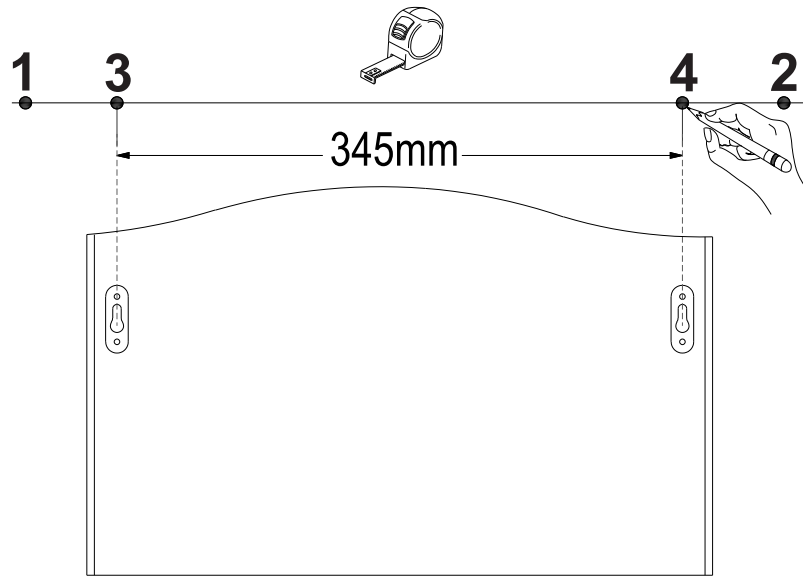


## STEP-BY-STEP ASSEMBLY:

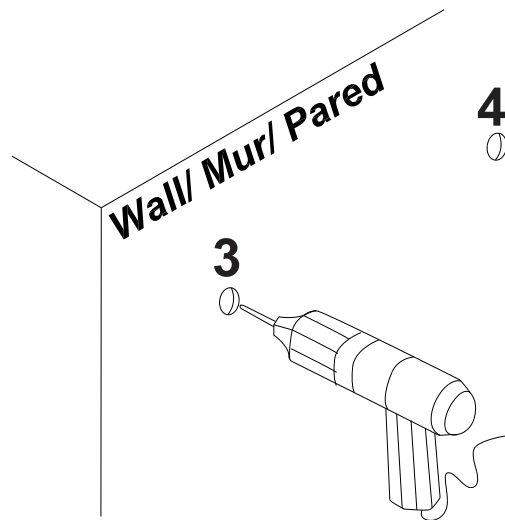
### STEP 1:



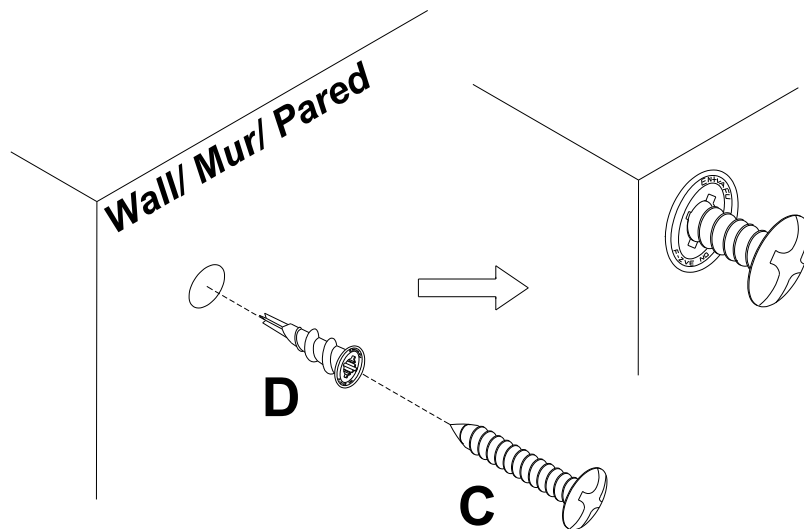
STEP 2:



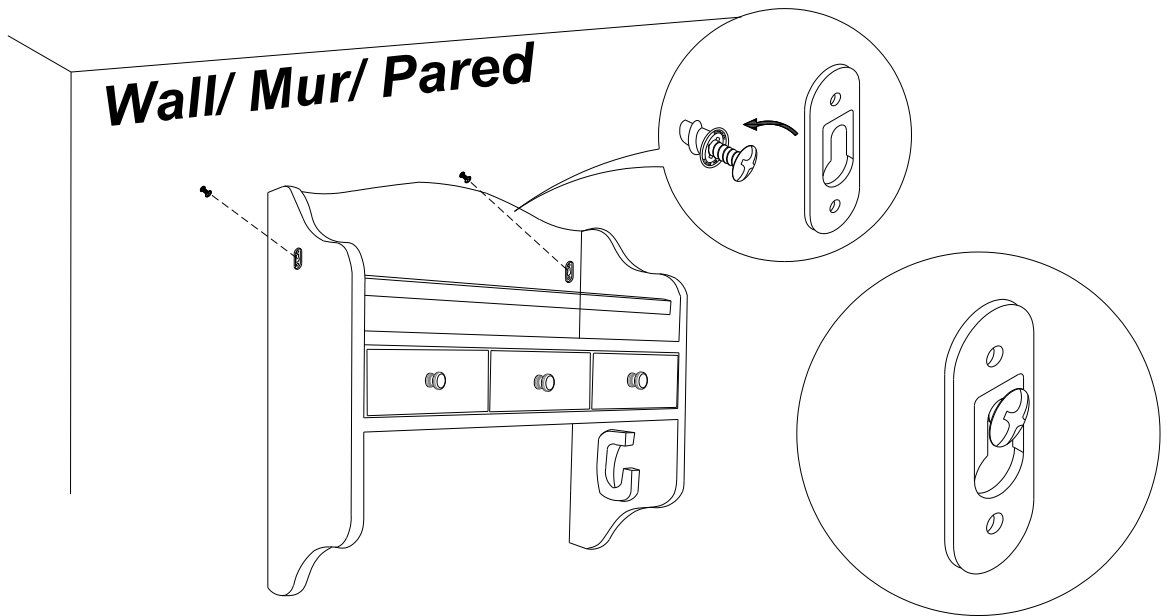
STEP 3:



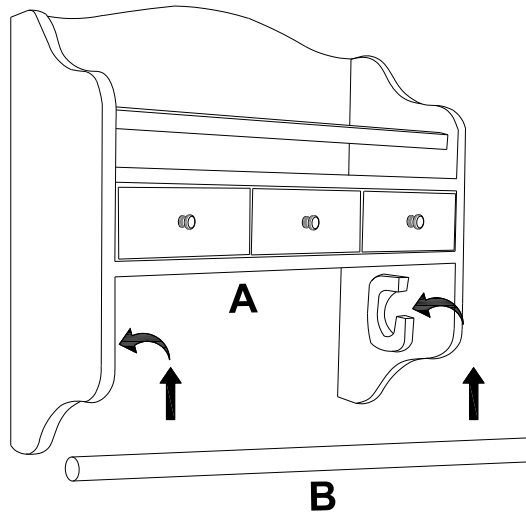
STEP 4:



**STEP 5:**



**STEP 6:**



**MAX. Weight Capacity : 33.0 LBS**

**Care Instructions:**

- Wipe with a soft, dry cloth only.
- Avoid cleaners and abrasives as they may damage finish.
- When blot spills, wipe with a clean, damp cloth immediately.
- Hardware may loosen over time. Periodically check to make sure all connections are tight. Re-tighten if necessary.