

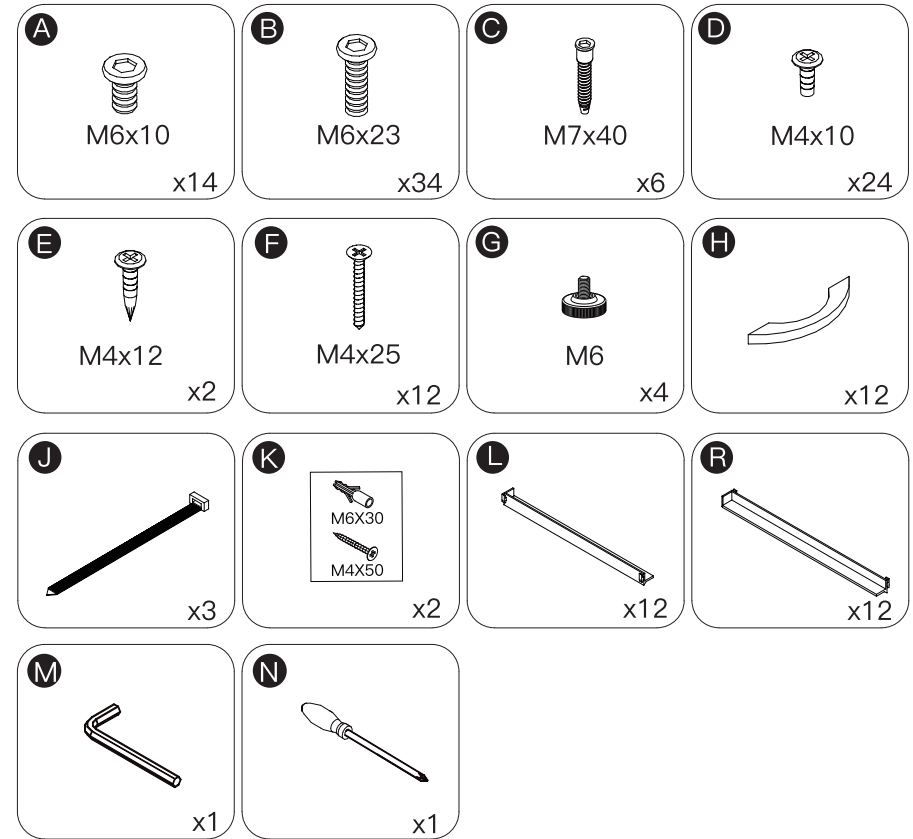
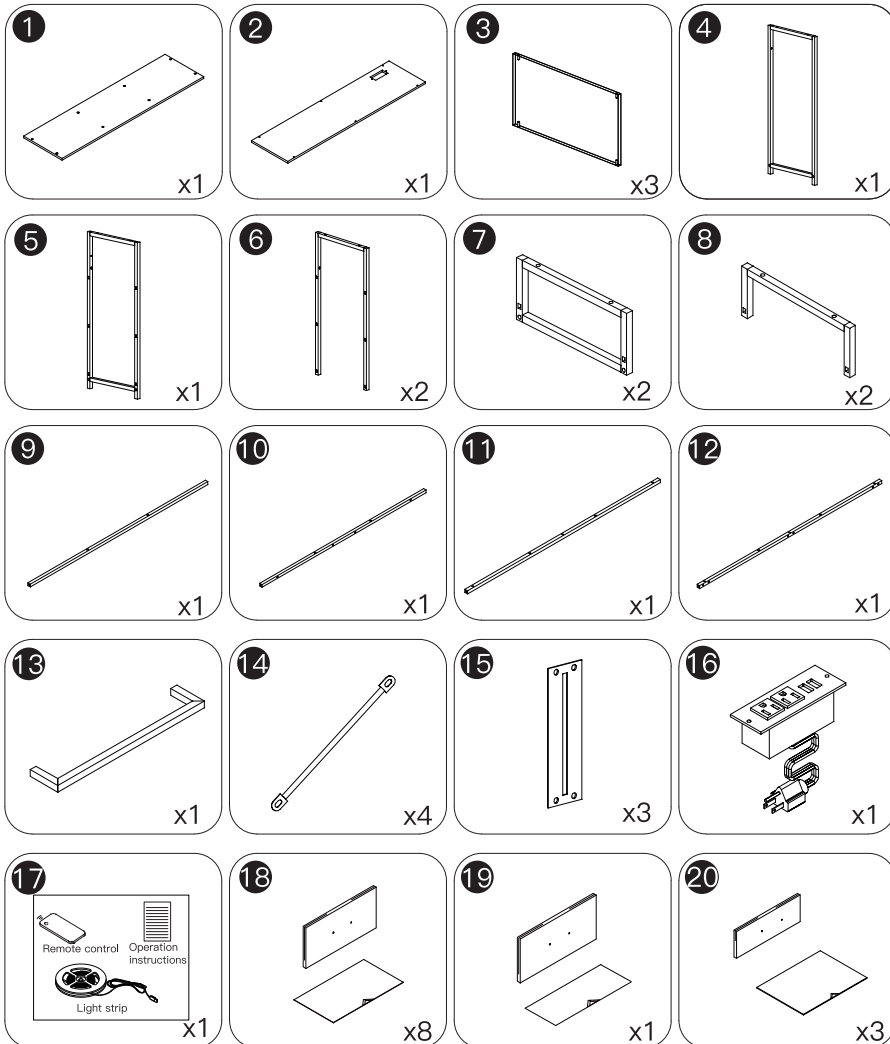
# ASSEMBLY INSTRUCTION



Please check all parts and accessories according to the parts list before assembling, make sure all contents are sufficient and in good condition.

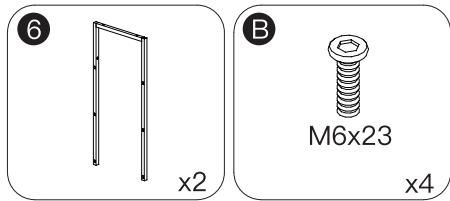
If there is any parts missing or defective, please contact us immediately with purchase platform message to get replacement parts.

## PARTS:

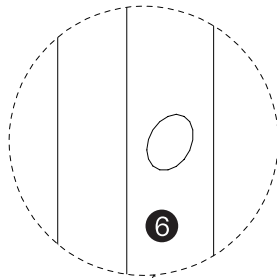




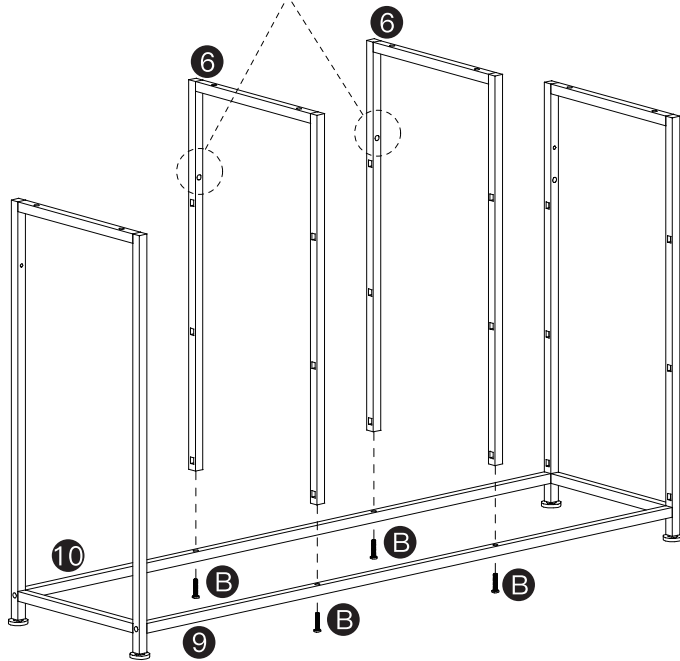
### STEP 3



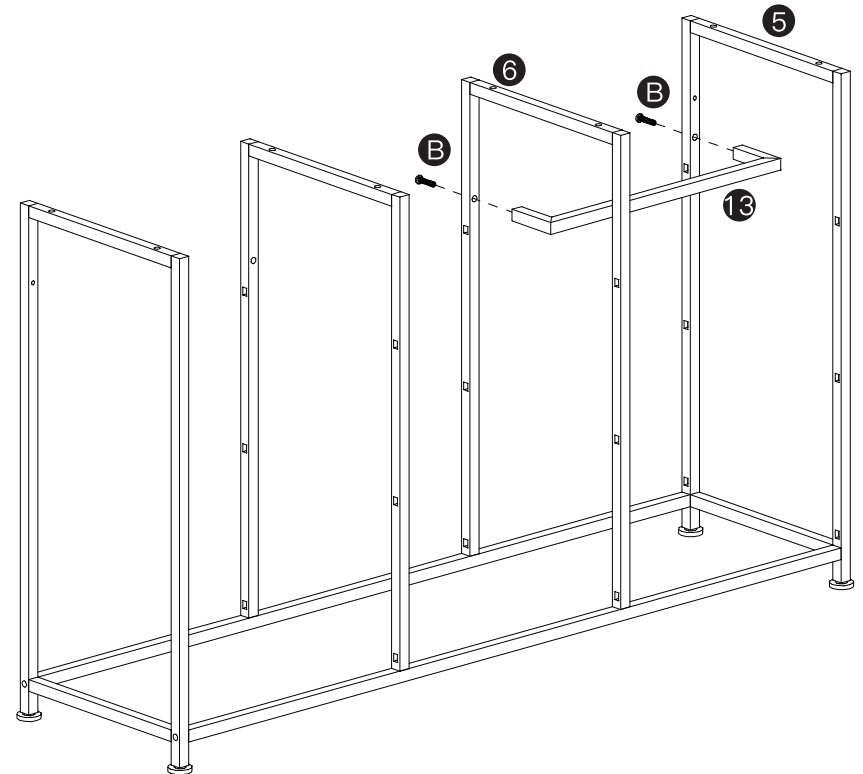
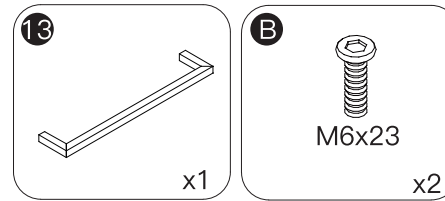
BACK  
FRONT



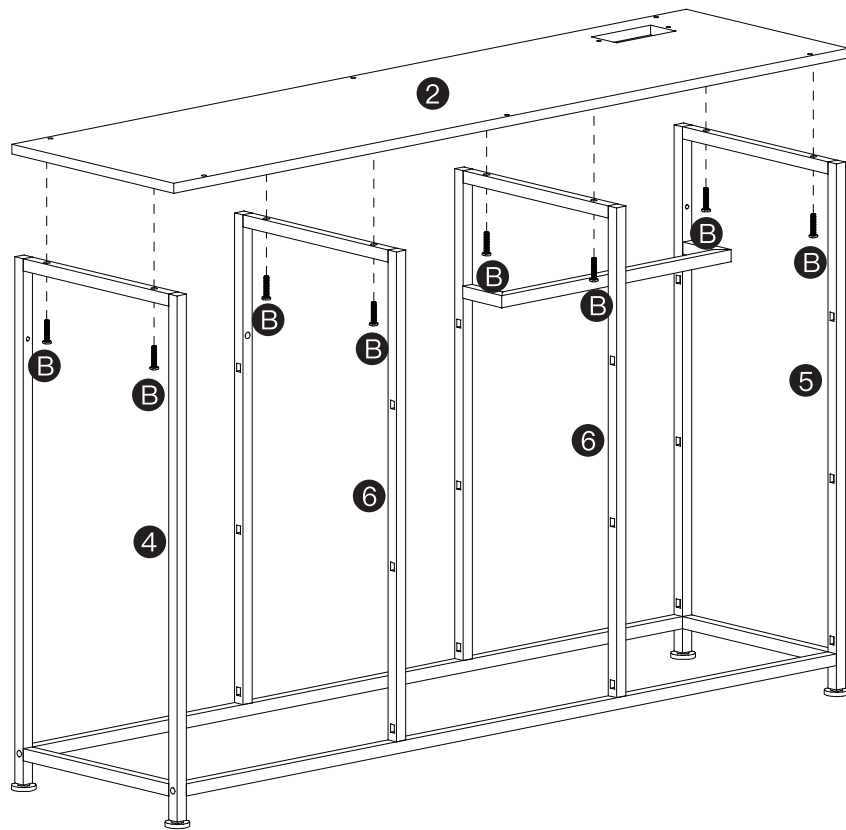
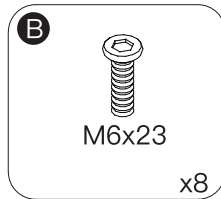
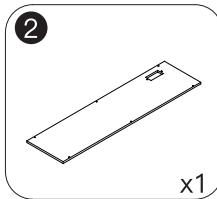
NOTICE:  
Make sure the hole for part 6 is located at the back.



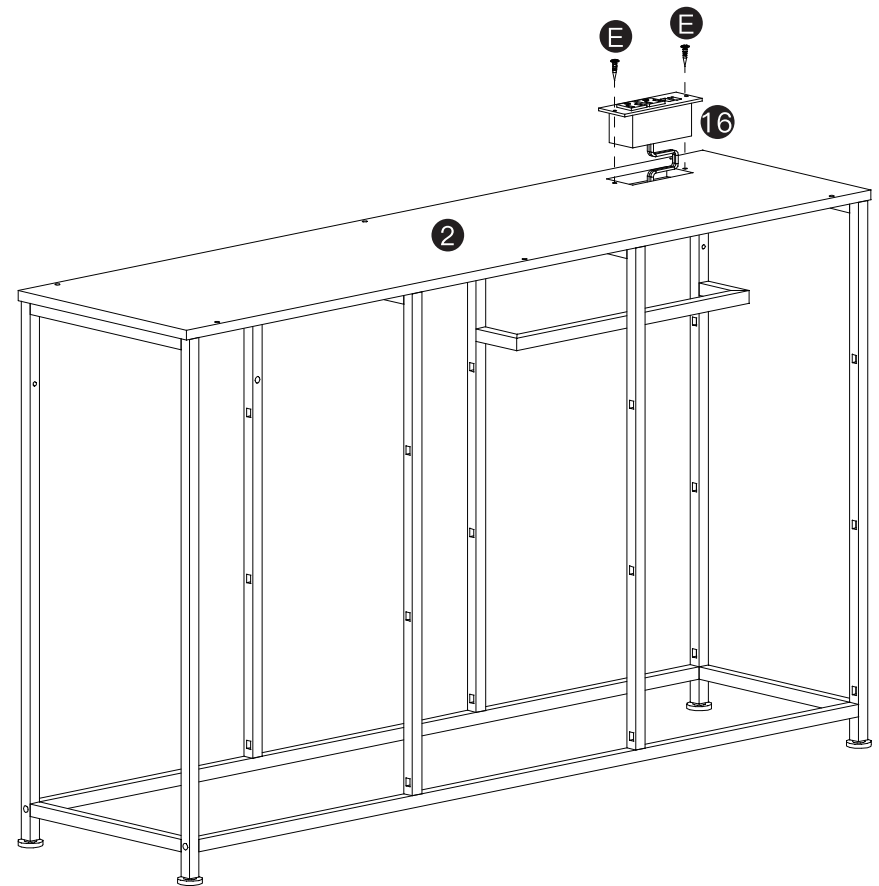
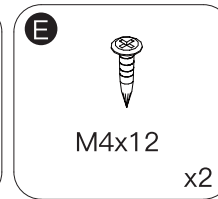
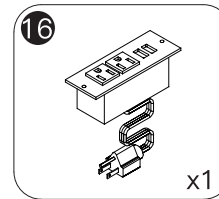
### STEP 4



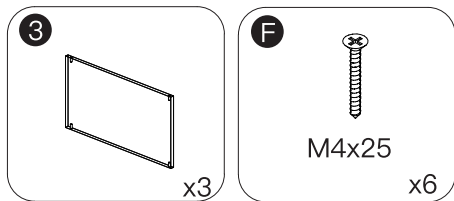
## STEP 5



## STEP 6

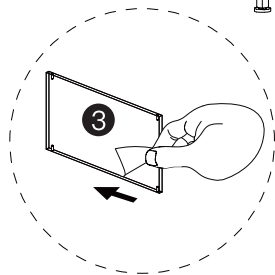
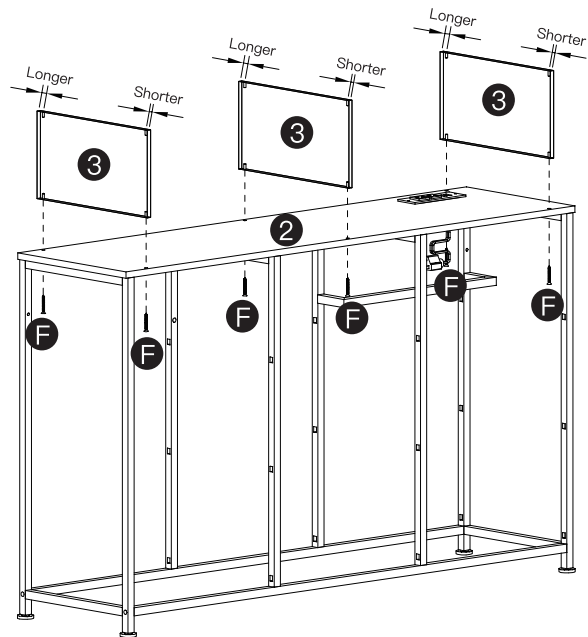


## STEP 7



### NOTICE:

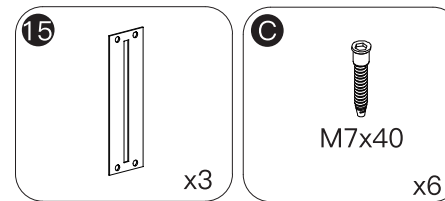
Make sure the side with the longer distance between the hole and the edge of part ③ is located at the back.



### NOTICE:

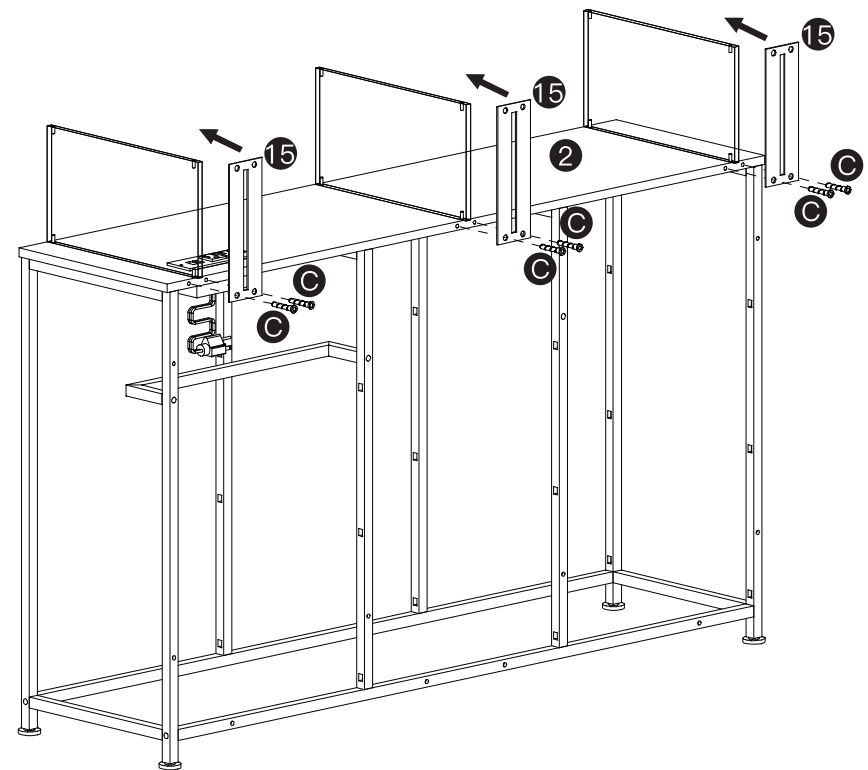
Please tear the protective film on both sides of the acrylic board.

## STEP 8

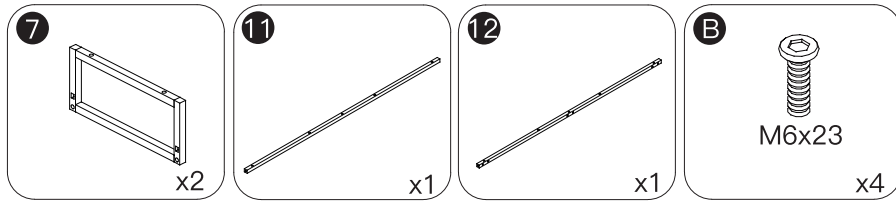


FRONT

BACK



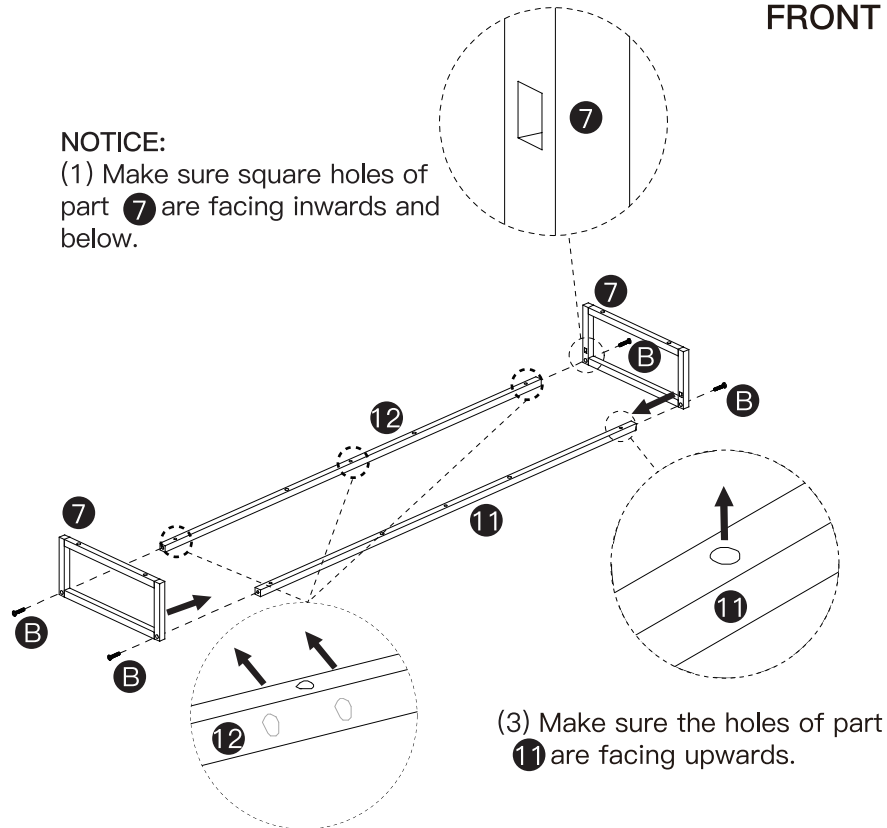
## STEP 9



BACK  
FRONT

**NOTICE:**

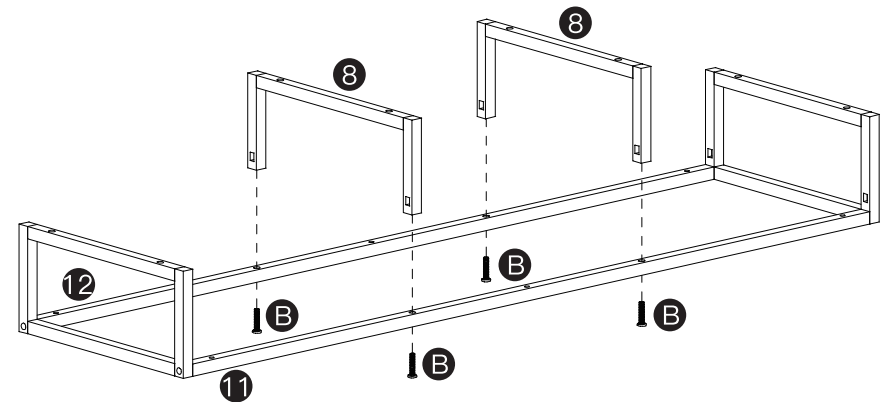
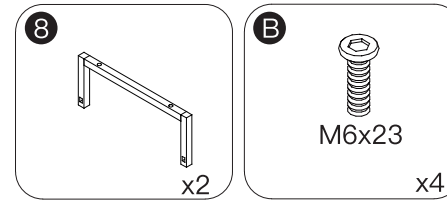
(1) Make sure square holes of part 7 are facing inwards and below.



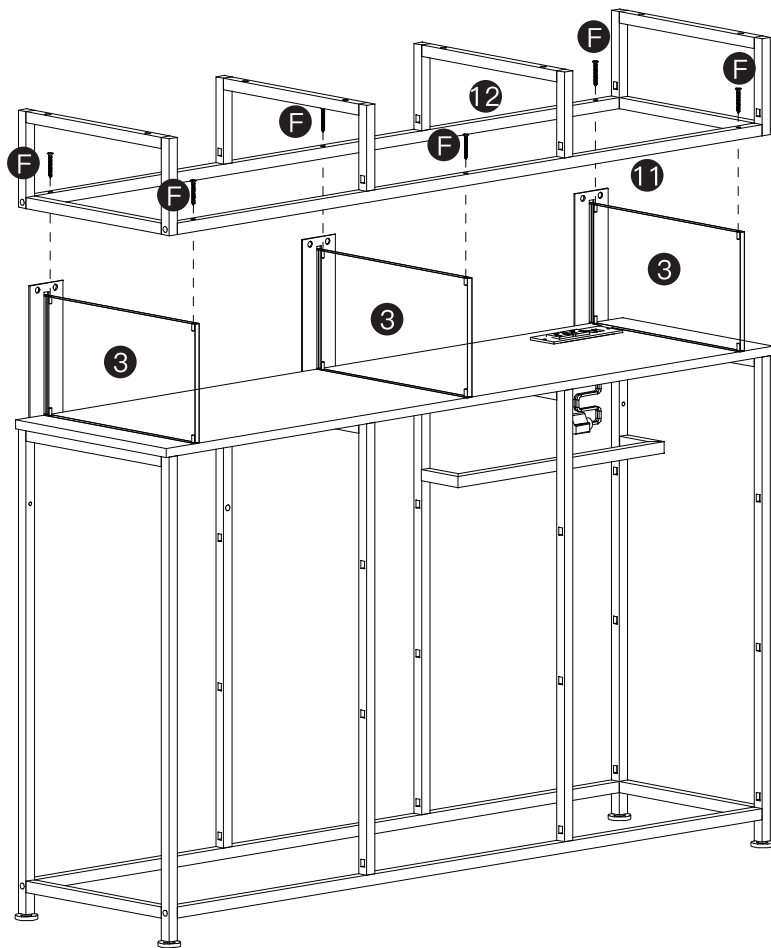
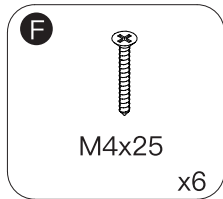
(2) Make sure the side with 6 holes of part 12 is facing backwards.

(3) Make sure the holes of part 11 are facing upwards.

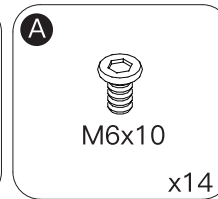
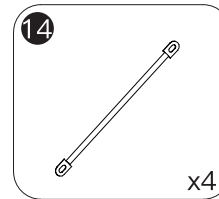
## STEP 10



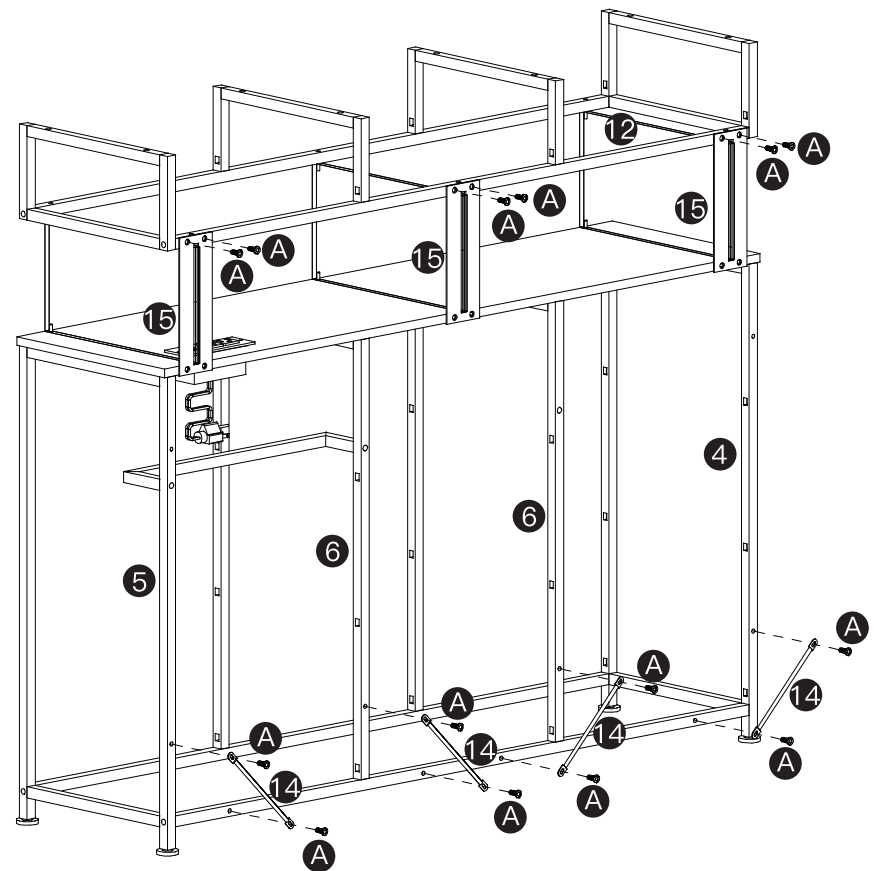
# STEP 11



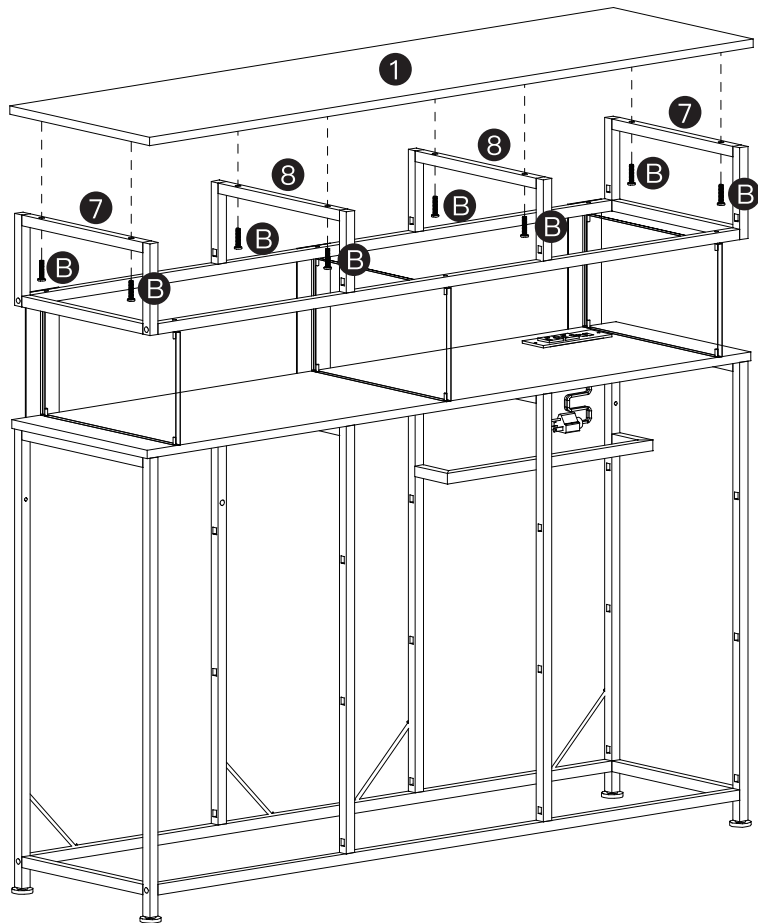
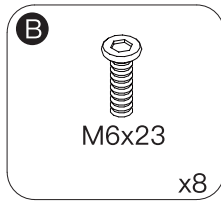
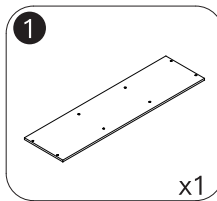
# STEP 12



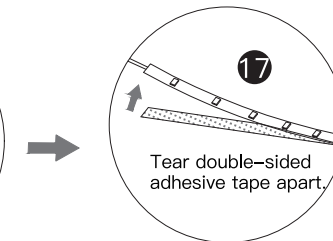
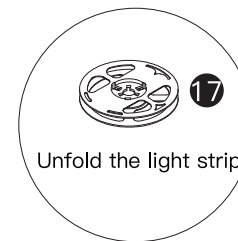
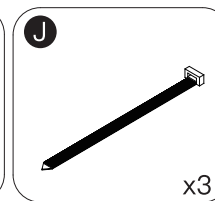
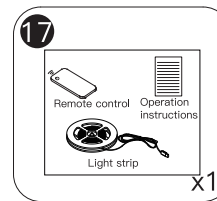
FRONT  
↔  
BACK



## STEP 13

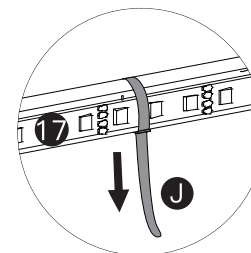
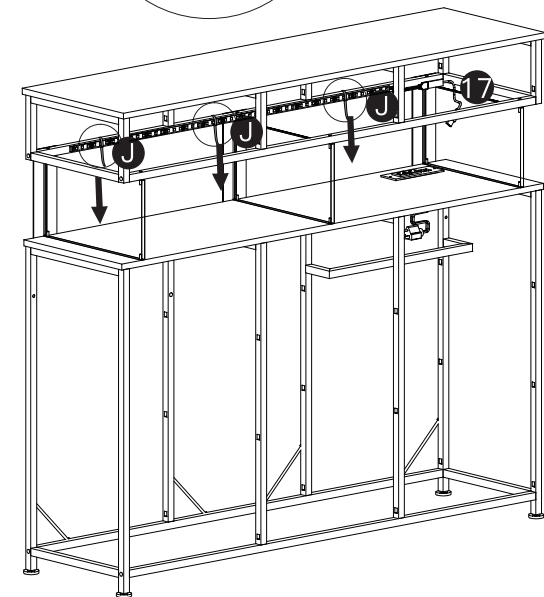


## STEP 14



### NOTICE:

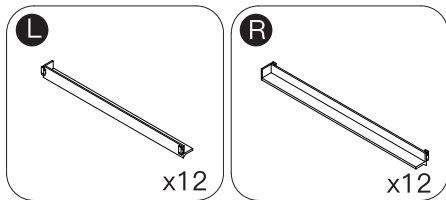
Please be careful not to tear off the adhesive surface, when removing the double-sided tape.



### NOTICE:

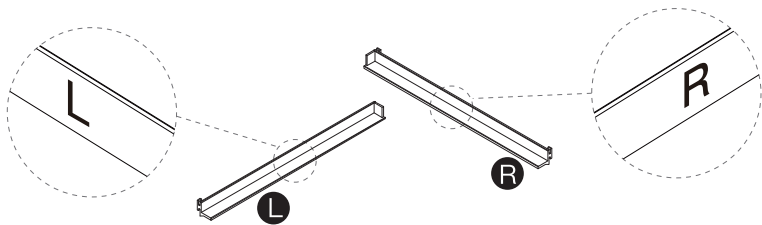
Make sure the special part of part J is facing downwards. Please straining part J as tightly as possible.

## STEP 15

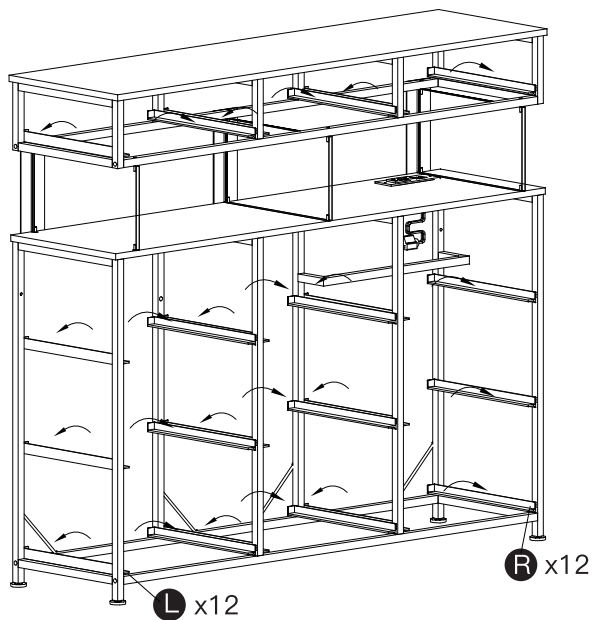


### NOTICE:

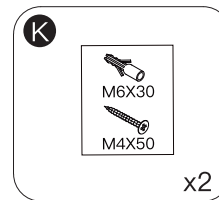
There's a corresponding L and R mark on each part located in a specified spot designed to distinguish them from each other easily.



- ① Insert the upper part into the square hole.
- ② Then insert the rest part horizontally.
- ③ Press down the rail to ensure proper installation.



## STEP 16



NOTICE

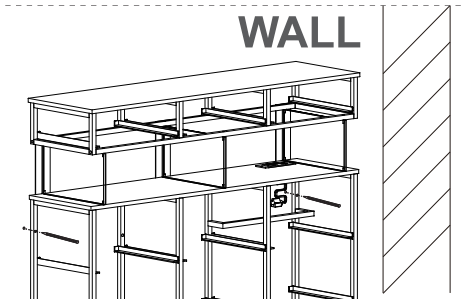
For the safety of you and your family, it is necessary to install Anti-Tip Device Kit.

### NOTICE:

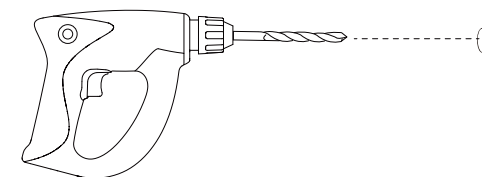
Electric drill does not included in our parts, please prepare it by yourself.

1

Place the rack against the wall, locate and mark out two holes.



2

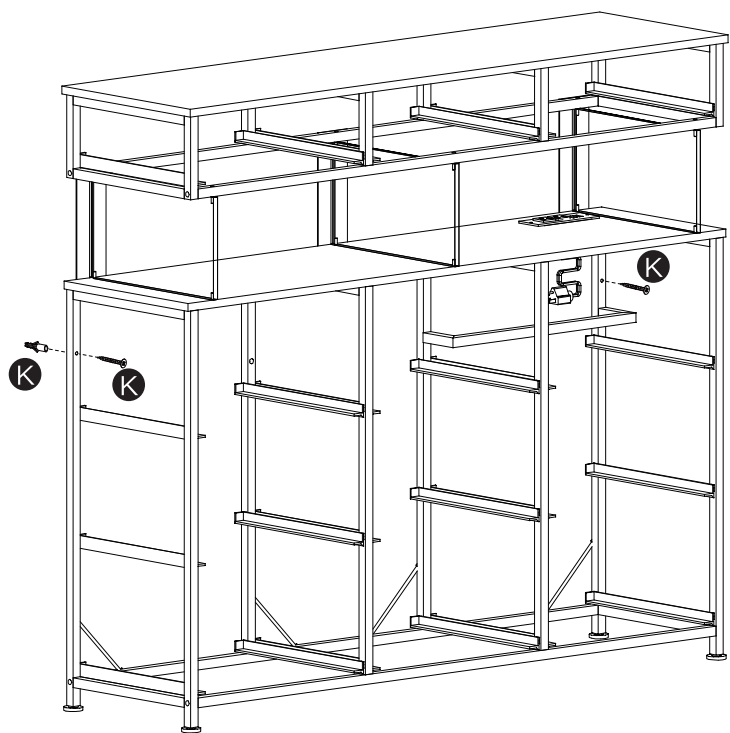
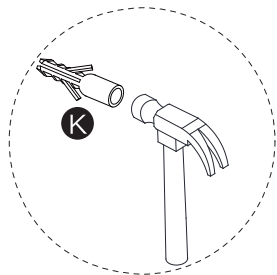
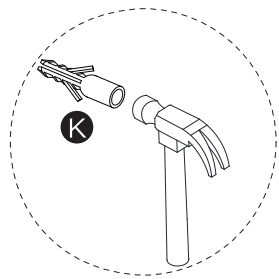


3

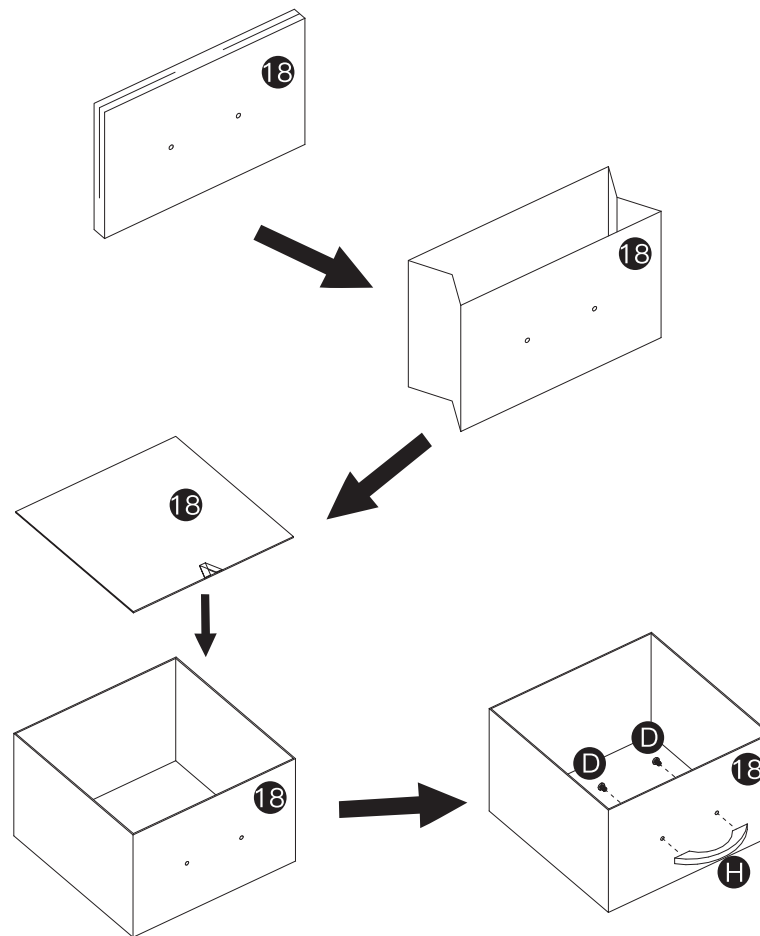
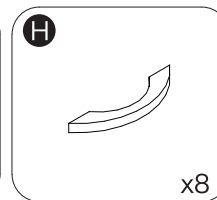
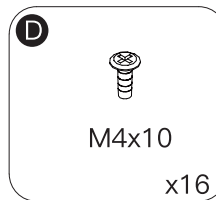
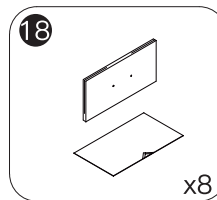


4

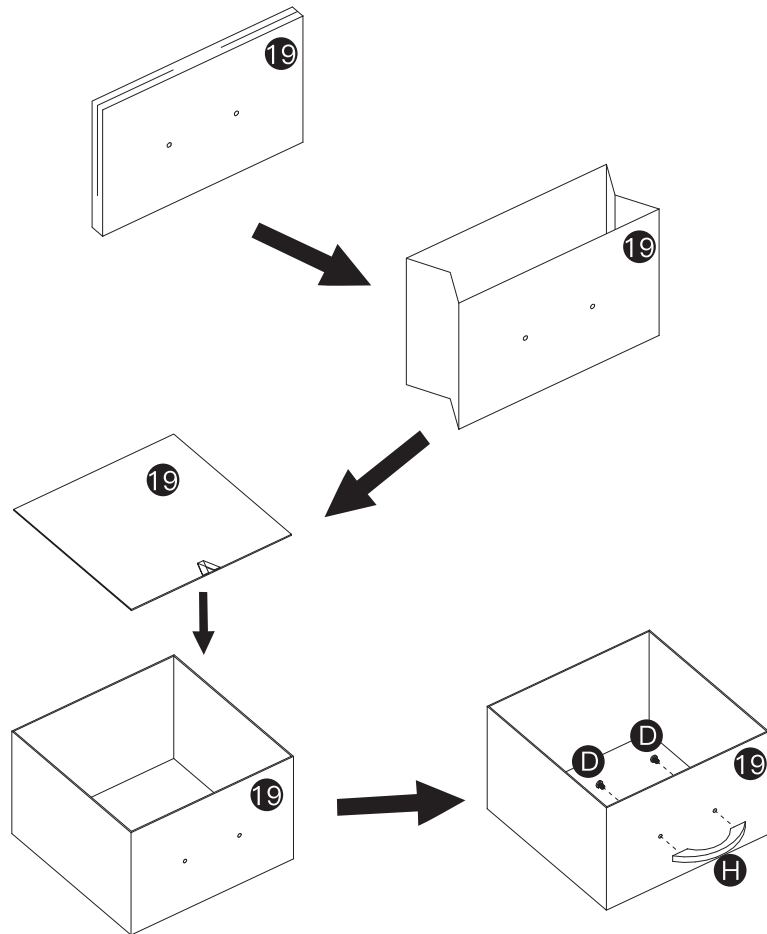
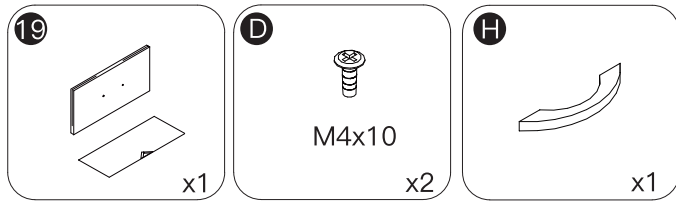
# WALL



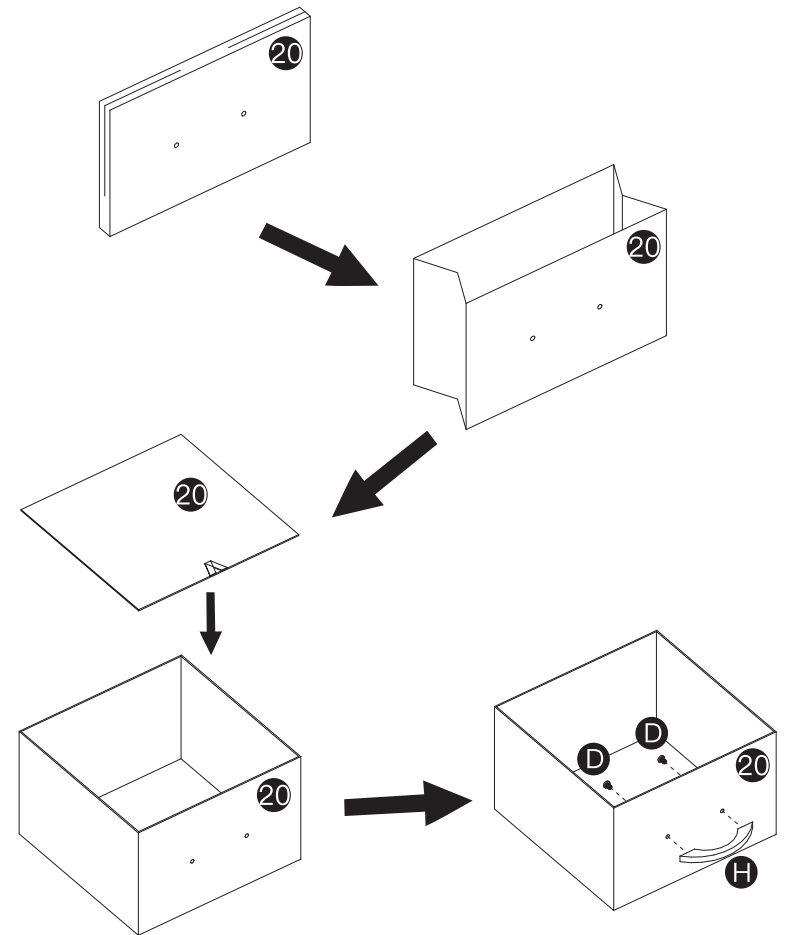
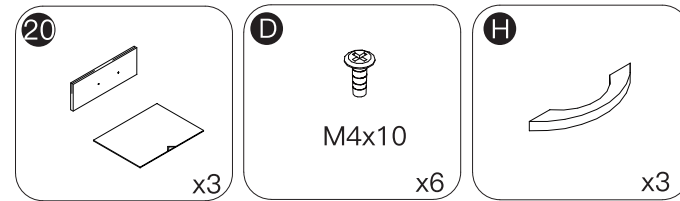
# STEP 17



## STEP 18



## STEP 19



## STEP 20



## AFTERSALE SERVICE

**Dear customer,**

Thank you so much for purchasing the product from us, we really appreciate your support.

We are aimed to provide the best shopping experience to our customers. We also want to build a mutually beneficial relationship with our customers, and step further to make our brand both reliable, responsible and recommendable.

We hope that our products could meet your needs and expectations, please consider us again if you need more products for your home and kitchen.

The package would be out of our control during shipping, please contact us through your purchasing channel directly if there is anything wrong with the box or contents. We are always here offering you our service.

We will reply your messages within 24 hours, please kindly wait for the response from our professional service team.

Your comfort and contentment are of utmost importance.

Best Regards,  
Customer Care Specialist