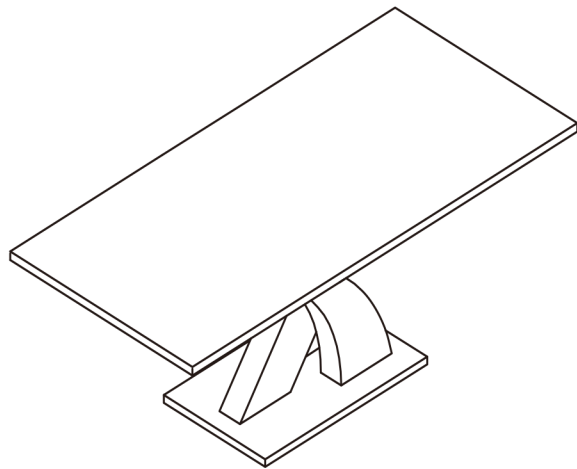


Assembly Instructions



Safety and Care Advice

Important – Please read these instructions fully before starting assembly

Check you have all the components and tools listed.

Remove all fittings from the plastic bags and separate them into their groups.

Keep children and animals away from the work area, small parts could choke if swallowed.

Make sure you have enough space to layout the parts before starting.

Assemble the item as close to its final position (in the same room) as possible.

Do not overtighten the nuts to avoid causing damage to the threads.



We do not recommend the use of power drill/drivers **for inserting screws**, as this could damage the unit. Only use hand screwdrivers and Allen keys.

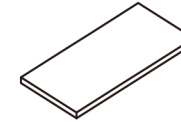
Care and maintenance

Only clean using a damp cloth and mild detergent, do not use bleach or abrasive cleaners.

From time to time check that there are no loose screws on this unit.

This product should not be discarded with household waste. Take to your local authority waste disposal centre.

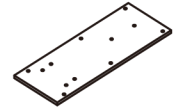
Please check you have all the panels listed below



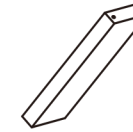
1 Table Top x 1



2 Curved Leg x 1



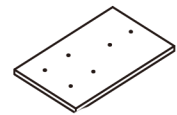
3 Connecting frame x 1



4 Diagonal Leg x 1



5 Curved Leg x 1



6 Base







2 Person Build

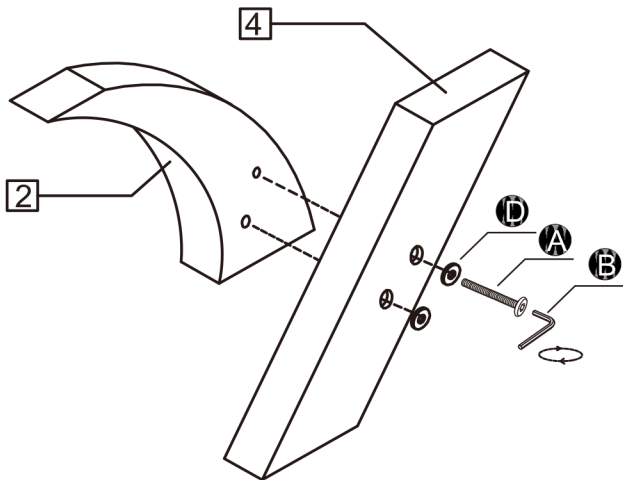


Please check you have all the fittings listed below

Note: The quantities below are the correct amount to complete the assembly. In some cases more fittings may be supplied than are required.

<p>A</p>  <p>M8x95mm Long Allen Screw X2</p>	<p>B</p>  <p>M5 mm Allen Key X1</p>	<p>C</p>  <p>M8x30mm Allen Screw X18</p>
<p>D</p>  <p>M8x22mm Metal Washer X20</p>		

Assembly Instructions



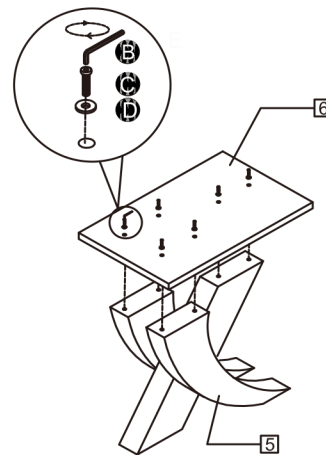
Step 1

Carefully place the Long Allen Screw **A** and Metal Washer **D** into the two holes of frame **4** and **2**.

Tighten using Allen Key **B**.

Step 2

Baseplate Assembly
Place part **2**, **4** and **5** down onto a clear flat surface. Carefully align the base plate **6** onto part **2** and **4** and **5** and secure using fixings **C** and **D**. Tighten using allen key **B**.

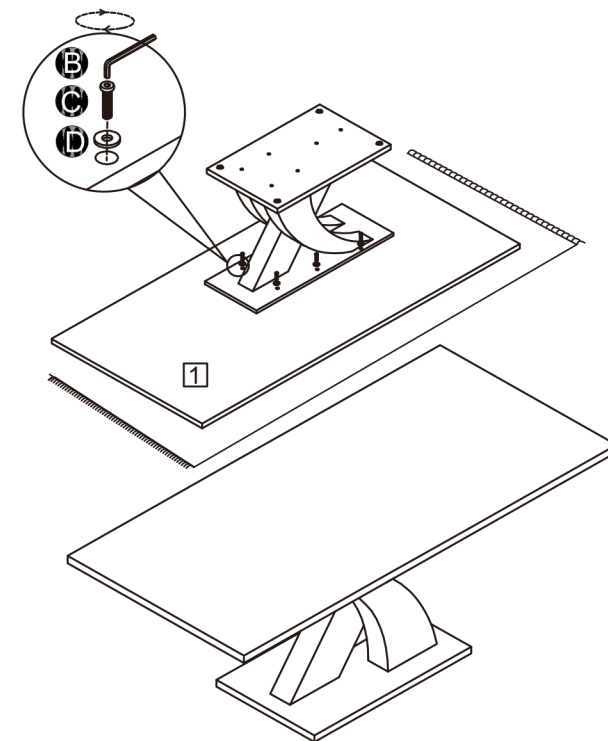
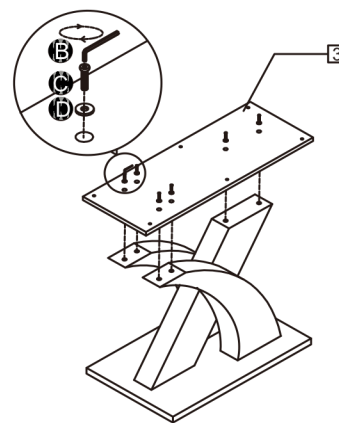


Step 3

Connecting frame Assembly

Warning: With help, turn the stand around. Carefully align the connecting frame **3** with parts **2**, **4**, & **5**.

Secure using fixings **C** and **D**. Tighten using allen key **B**.



Step 4

Table Top / Base Assembly

Warning: With help, place the table top **1**, upside down onto a clear flat surface. Carefully align the table frame onto table top **1** and secure using fixings **C** and **D**. Tighten using allen key **B**.

Step 5

Assembly Completion

Warning: With help, turn the table around to complete assembly.