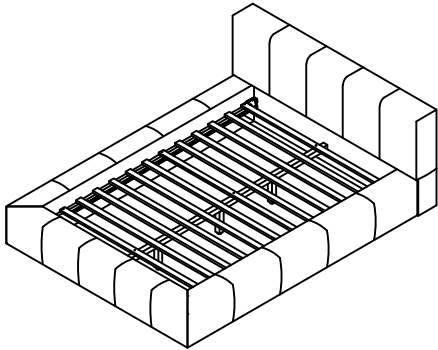


# ASSEMBLY INSTRUCTIONS

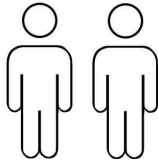
## FULL



### + Do Not Use Power Tools



### + Suggested Adults



#### NOTE:

- 1 Read instructions cover to cover.
- 2 Save all packaging until assembly is completed.

### 1 IMPORTANT SAFETY INFORMATION

Do not assemble the product if any of the following parts arrived damage:

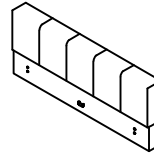
- Part 3 - Side Rails
- Part 4 - Center Support Bar
- Part 5 - Support Legs
- Part 6 - Slats

### 2 IMPORTANT ASSEMBLY INFORMATION

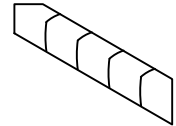
**Assembly Step** Ensure the side rail bracket is fully hooked onto bolt loosely threaded with both washers on the OUTSIDE of the bracket first, then proceed to fully tightening all 4 corners.

### + Parts Included

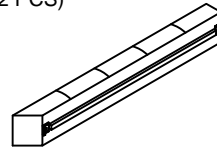
① HEADBOARD  
(1 PC)



② FOOTBOARD  
(1 PC)



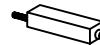
③ SIDE RAILS  
(2 PCS)



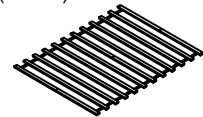
④ CENTER SUPPORT BAR  
(1 PC)



⑤ SUPPORT LEGS  
(3 PCS)



⑥ SLATS  
(1 SET)



### + Hardware Included

**A** M4 x 38mm  
(9 PCS)



**B** M4 x 20mm  
(2 PCS)



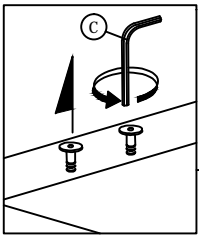
**C** M5  
(1 PC)



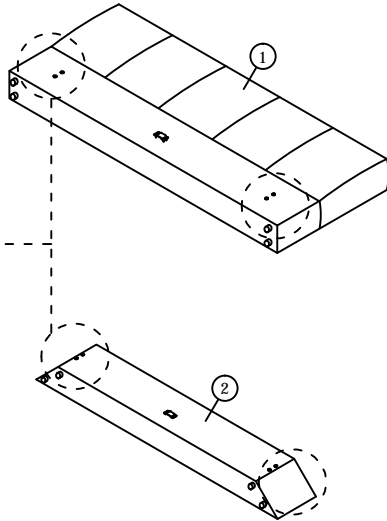
# ASSEMBLY INSTRUCTIONS

## FULL

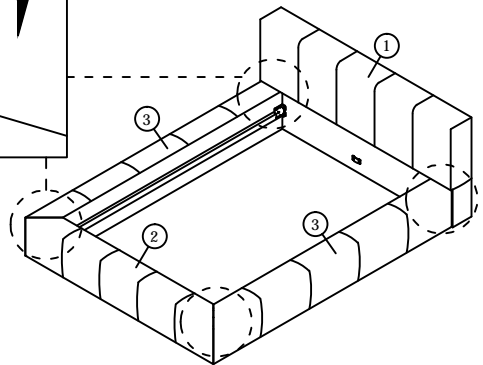
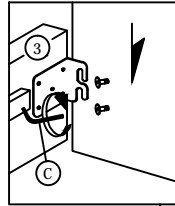
1



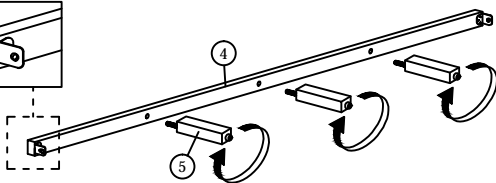
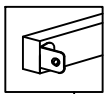
Loosen the pre-inserted bolt on the headboard and footboard using Allen key ball shape (C).



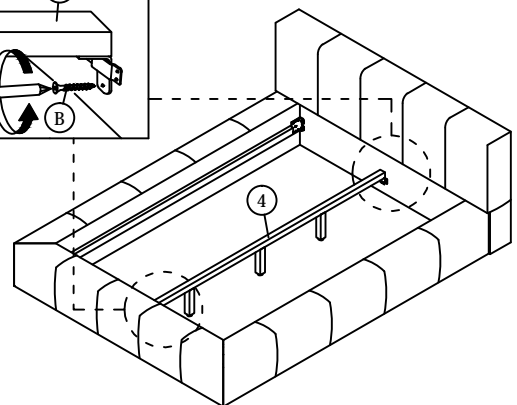
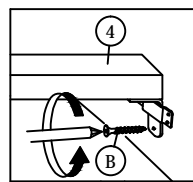
2



3



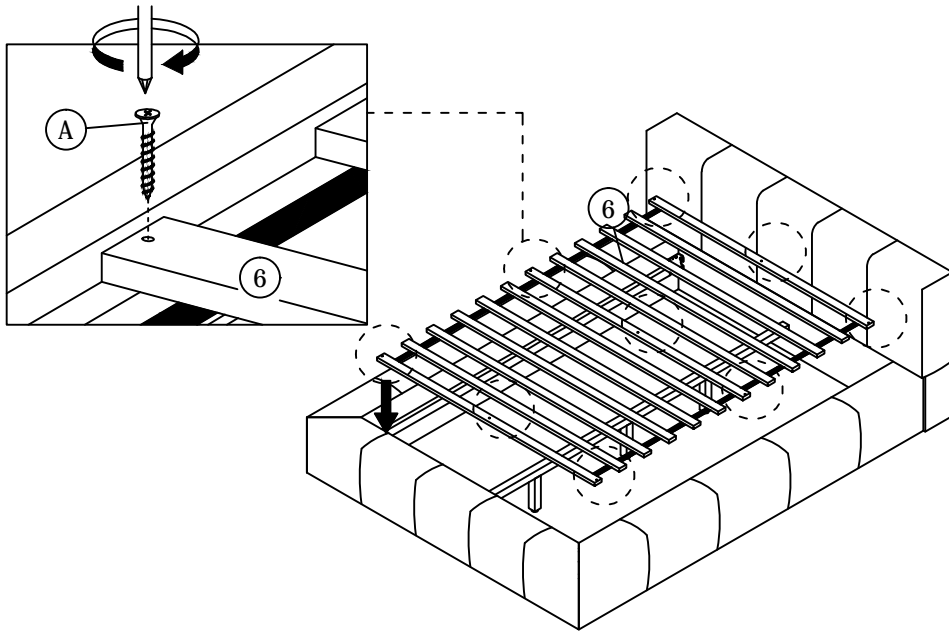
4



# ASSEMBLY INSTRUCTIONS

## FULL

5



6

