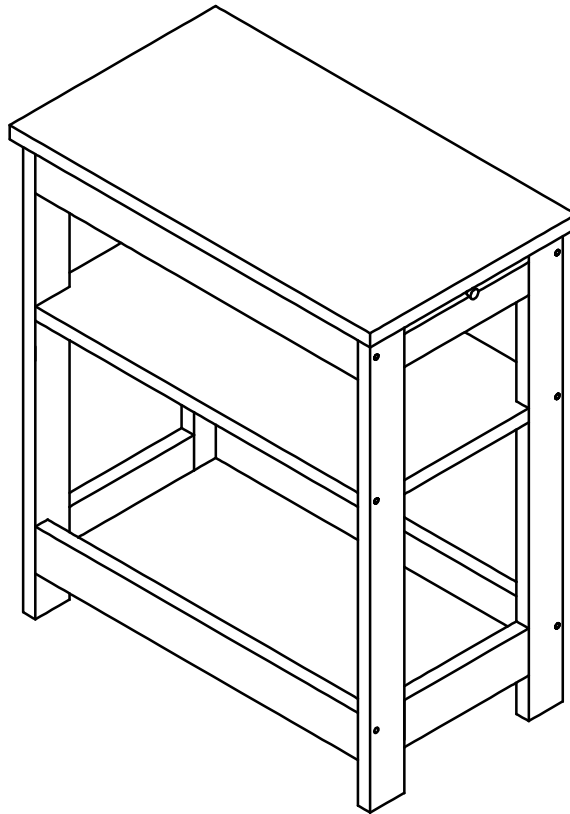


# ASSEMBLY INSTRUCTIONS

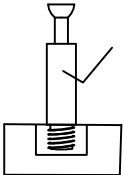
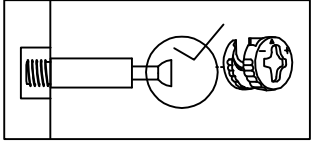
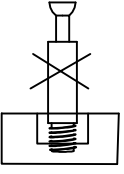
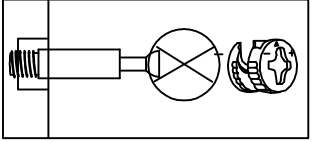
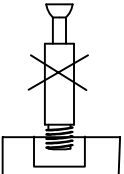
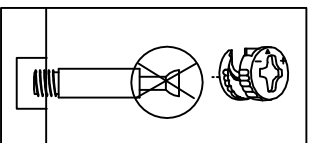
## Side Table

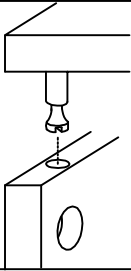
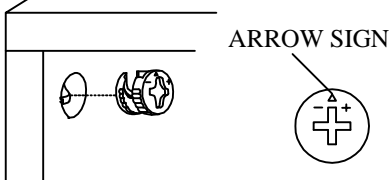
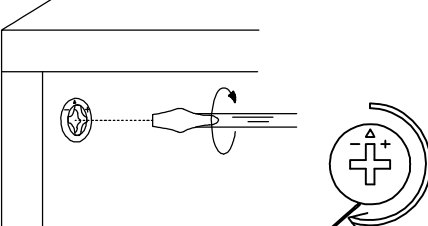


### NOTE TO CUSTOMERS:

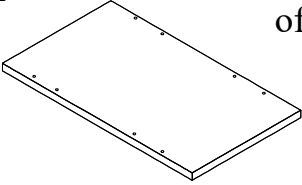
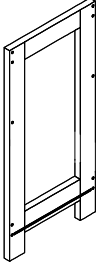
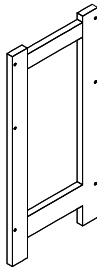
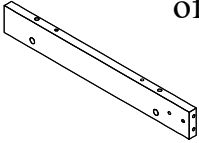
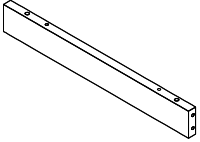
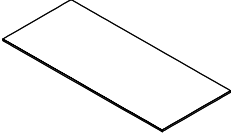
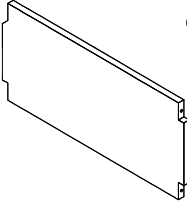
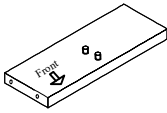
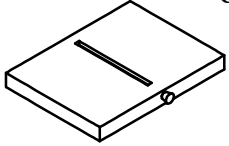

- For ease and speed of assembly we recommend that before you commence each step of the assembly that you identify all the parts required to complete that step.
- We recommend that where possible you allow sufficient space to assemble the item as close as possible to the place where it will be once assembled.
- For the protection of your furniture we recommend that the product is placed on protected surfaces during assembly to prevent any damage.
- During assembly do not over tighten, as this may damage the product.
- Please ensure you retain all the product packaging until the item completely assembled.
- Please periodically check all fittings and re-tighten as necessary.
- It is recommended that this item should be assembled by two adults.

## To insert a cam lock: (Please read below instructions before assembling)

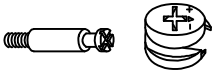



		<p>Diagram A</p> <p>1. Insert cam screw into hole as shown in diagram A .</p>
		<p>Diagram B</p> <p>Make sure not to insert the cam screw: Too deep as shown in figure B as this will cause the cam screw to be misaligned and unable to interlock properly.</p>
		<p>Diagram C</p> <p>Also avoid inserting the cam screw too close to the surface of the hole as shown in figure C, as this will cause the cam lock to be too loose, and not interlock properly.</p>

	<p>2. Connect the panels together.</p>
	<p>3. When inserting the cam lock make sure the arrow of the cam lock faces the cam screw.</p>
	<p>4. To tighten the cam lock turn the cam lock clockwise 90-180 degree or until the arrow is facing opposite the place cam lock was inserted.</p> <p><b>NOTE: DO NOT USE AN AUTOMATIC SCREWDRIVER TO TIGHTEN CAM LOCKS.</b></p>

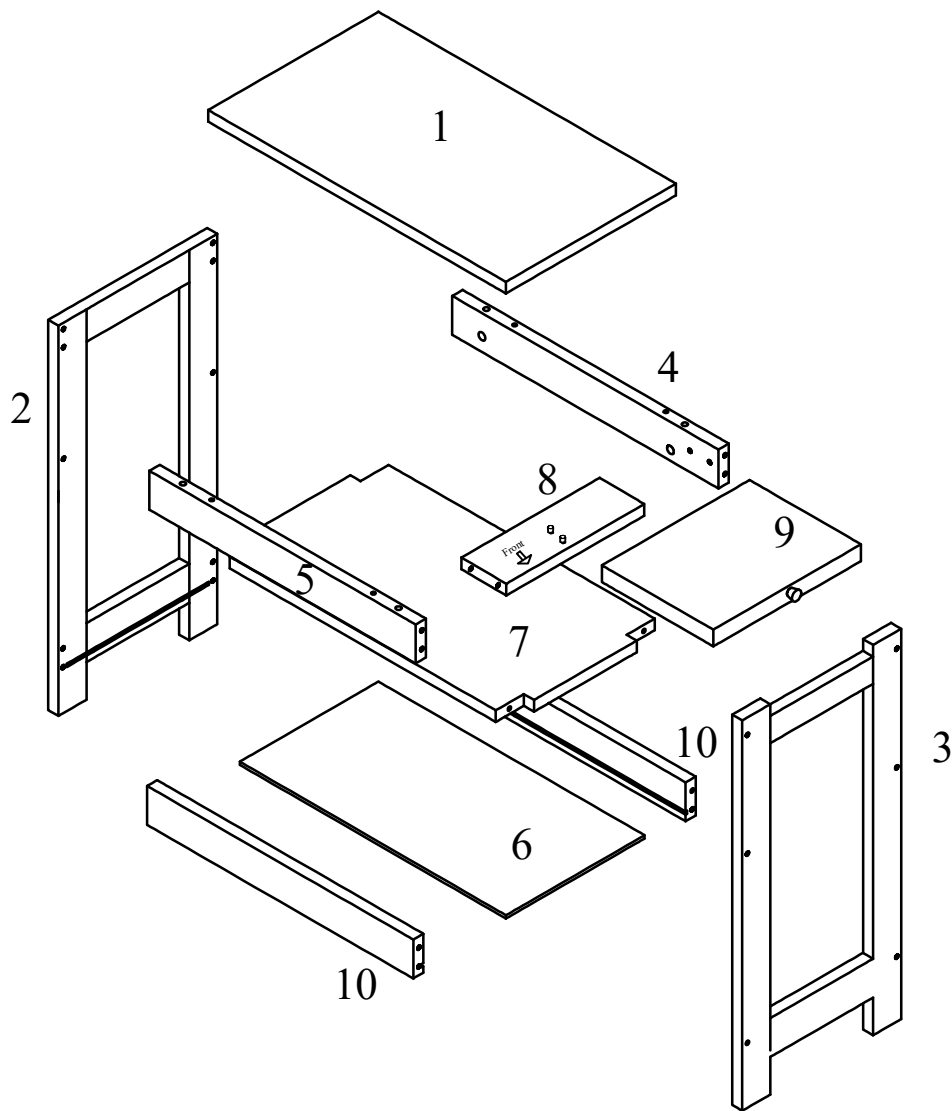
# Part List

<p>1</p>  <p>Top Panel</p>	<p>Quantity of 1</p>	<p>2</p>  <p>Back Frame</p>	<p>Quantity of 1</p>	<p>3</p>  <p>Front Frame</p>	<p>Quantity of 1</p>
<p>4</p>  <p>Upper Apron</p>	<p>Quantity of 1</p>	<p>5</p>  <p>Upper Apron</p>	<p>Quantity of 1</p>	<p>6</p>  <p>Bottom Panel</p>	<p>Quantity of 1</p>
<p>7</p>  <p>Shelf</p>	<p>Quantity of 1</p>	<p>8</p>  <p>Connect Panel</p>	<p>Quantity of 1</p>	<p>9</p>  <p>Pull-out Panel</p>	<p>Quantity of 1</p>
<p>10</p>  <p>Lower Apron</p>	<p>Quantity of 2</p>				

# Hardware List


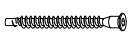

<p>A</p>  <p>Camlock</p>	<p>Quantity of 4</p>	<p>B</p>  <p>1/4"*1.25"</p> <p>Wood Dowel</p>	<p>Quantity of 16</p>	<p>C</p>  <p>1/4"*1.5"</p> <p>Screw</p>	<p>Quantity of 12</p>	<p>D</p>  <p>Allen Wrench</p>	<p>Quantity of 1</p>
---	----------------------	--	-----------------------	---	-----------------------	--	----------------------

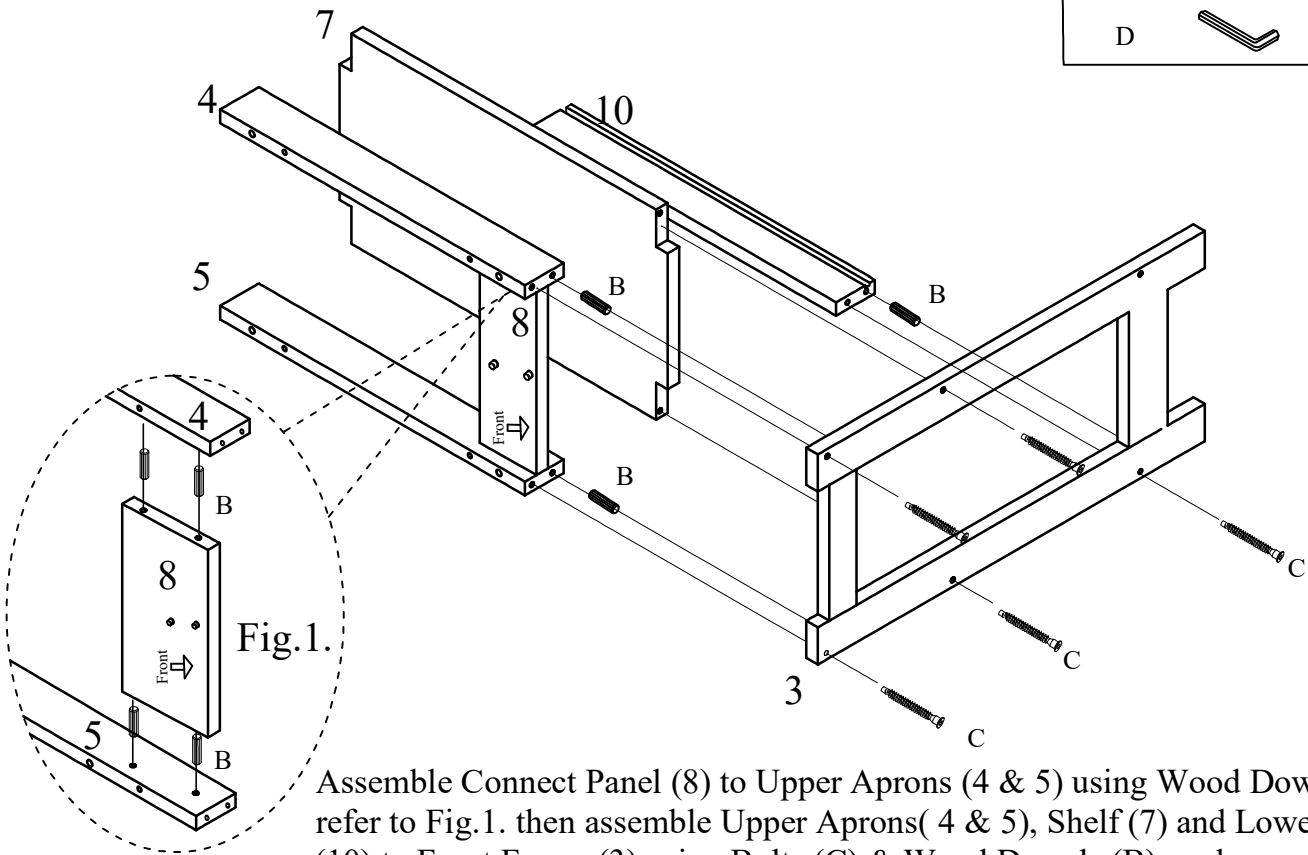
# Part List



# Assembly instructions


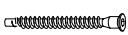

## Step 1:

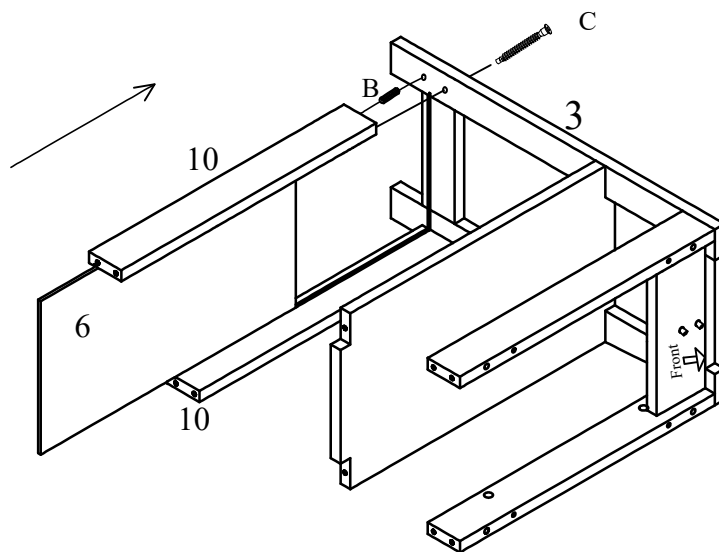
B		7PCS
C		5PCS
D		1PCS



Assemble Connect Panel (8) to Upper Aprons (4 & 5) using Wood Dowels (B), refer to Fig.1. then assemble Upper Aprons( 4 & 5), Shelf (7) and Lower Apron (10) to Front Frame (3) using Bolts (C) & Wood Dowels (B) as shown above.

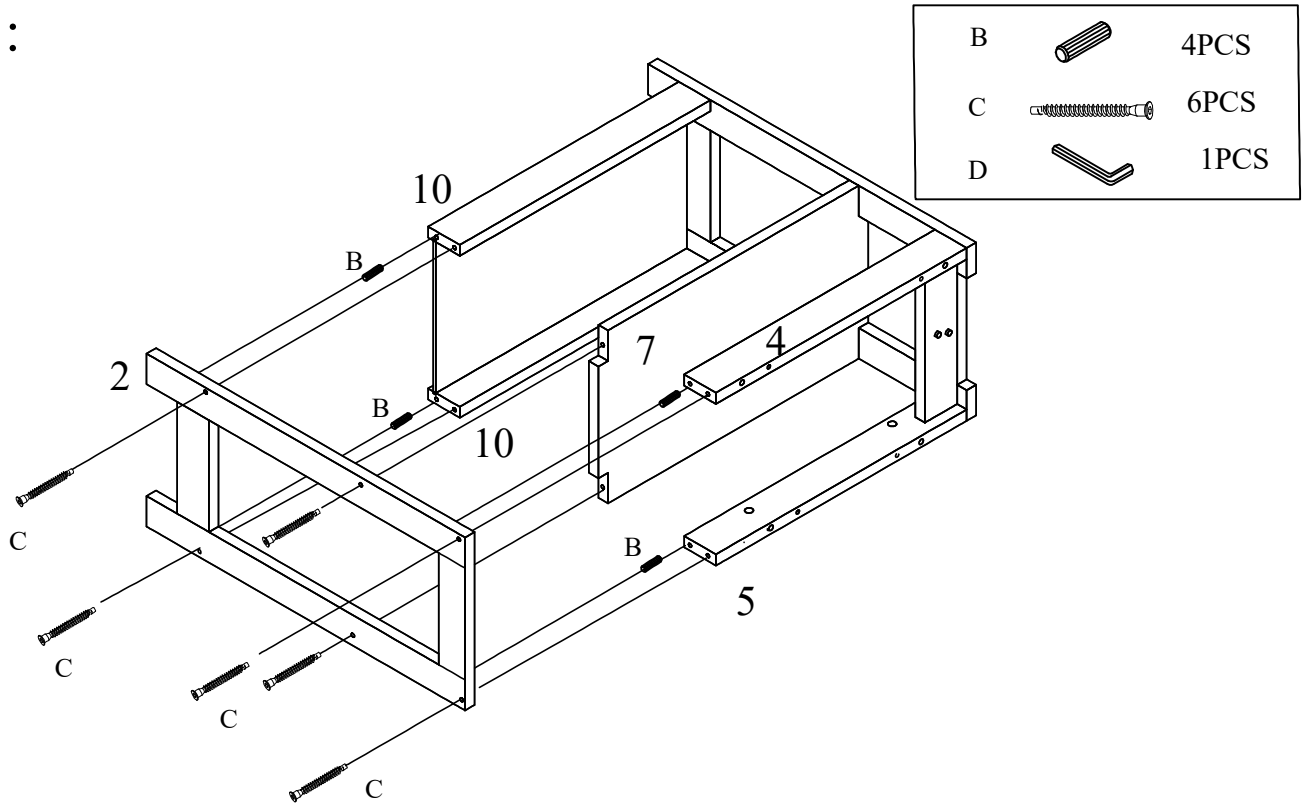
## Step 2:

B		1PCS
C		1PCS
D		1PCS



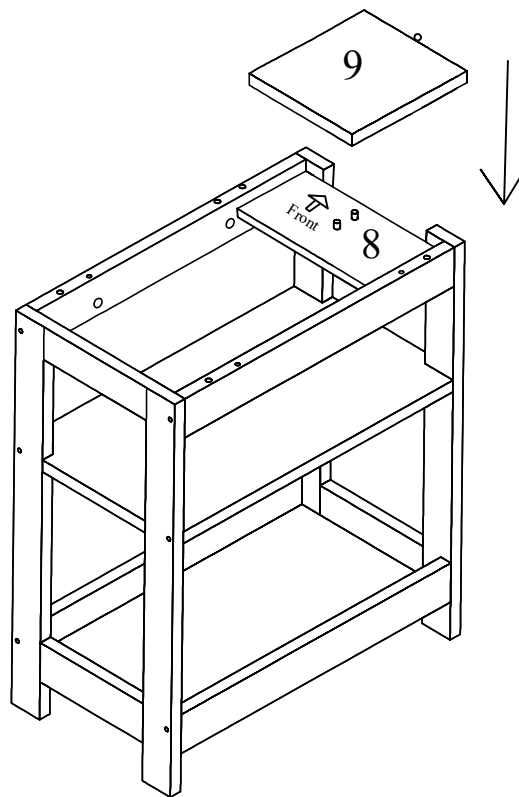
Assemble Lower Apron (10) to Front Frame (3) using Bolts (C) & Wood Dowels (B), then insert Bottom Panel (6) into grooves on both Lower Aprons (10) as shown above.

### Step 3:



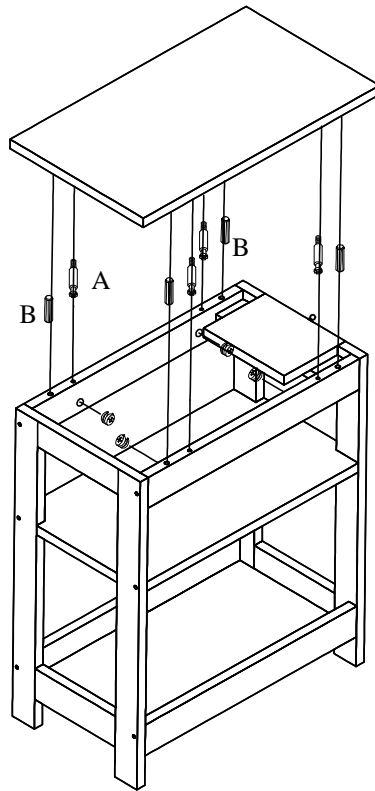
Assemble Upper Aprons( 4 & 5), Shelf (7) and Lower Aprons (10) to Back Frame (2) using Bolts (C) & Wood Dowels (B) as shown above.



### Step 4:



Attach Pull-out Panel (9) onto Connect Panel (8) as shown above.

## Step 5:



B		4PCS
A		4SETS

Assemble Top Panel (1) to Upper Aprons (4 &5), using Camlocks(A) & Wood Dowels (B) as shown above.

## Step 6:

