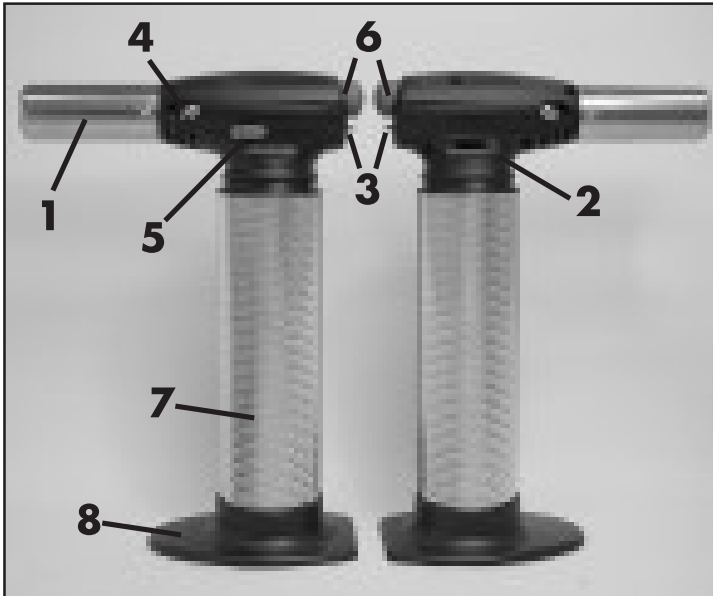


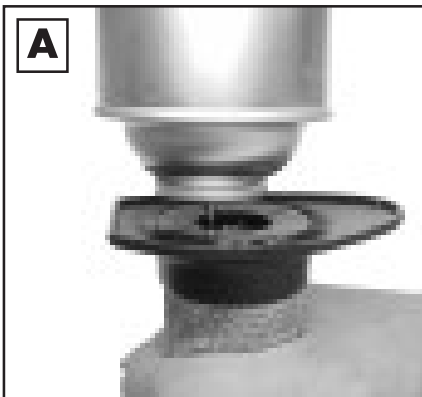
OPERATING INSTRUCTIONS

This torch does not contain any butane gas when first purchased.
Please retain these instructions for future use.



Parts Identifications

1. Flame Guard
2. Flame Adjustment Slide
3. Safety Lock
4. Air Control lever
5. Continuous Flame Lock Lever
6. Ignitor Button
7. Fuel Level Indicator
8. Removable Stand
9. Filler Valve (not shown, under torch)



Fueling:

- Use only high quality butane gas.
- Shake gas container a few times to warm fuel up.
- Move flame adjustment slide (2) to “-” position.
- Do not overfill. Back spray of liquid gas from filler valve indicates that the torch is full. Always clean up any butane overspray before lighting torch.
- Insert the container nozzle vertically down into the gas refill valve. Use a pumping action for best results. **(FIGURE A)**
- After fueling, allow 5 minutes for gas to stabilize.

Igniting:

- Move flame adjustment slide (2) to the mid-range of “-” and “+” positions.
- Push down the safety lock (3) until it clicks in place **(FIGURE B)**.
- Press ignition button (6). The flame will ignite instantly **(FIGURE C)**. **For safety reasons, the ignitor button will not depress unless safety lock is locked in place!**
- If the ignition button (6) is not fully pressed, the safety lock (3) will click up and you will not be able to light the torch. If this occurs, repeat lighting procedures.

Flame Adjustment:

- Adjust the **flame length** during use by moving flame adjustment slide (2). Sliding towards the “+” symbol will make the flame longer, sliding towards the “-” symbol will make the flame shorter. For best results, keep the flame length at about 1/2" - 1" (10-25 mm). Don't make the flame too long as it will only waste fuel and make the flame unstable.
- Adjust the **flame width** during use by pushing the air control lever (4) with fingers. It is advised to operate and light with air control knob as far back as possible.
- At higher altitudes, torch may not operate on maximum flame length setting (with slide pushed all the way to “+”). For best results, adjust the slide to the mid-range between “+” and “-”.

Turning Off:

- To turn the flame off, simply release ignitor button. Make sure flame is out and unit is cool before storing.

Using Continuous Flame Feature:

- **CAUTION: Use extreme caution when flame is locked on as flame will be continuous and will not turn off until the continuous flame lock lever (5) is MANUALLY disengaged!!!!**
- While holding down the ignitor button (6), slide the continuous flame lock lever (5) towards you **(FIGURE D)**.
- Release the ignitor button (6), the flame will remain on **(FIGURE E)**.
- To turn off flame, slide the continuous flame lock lever (5) away from you **(FIGURE F)**.

WARNING: When torch is filled with butane, contents are under pressure - use extreme caution as unit is highly flammable!

Caution:

- Read directions before use
- Keep out of reach of children.
- Do not touch flame guard when hot!
- Keep nozzle clean from dust and do not drop the torch, as these are the normal causes of malfunction.
- Always point away from face, body and clothing when igniting and operating.
- Do not store under direct sunlight or any place where temperatures will exceed 104°F (40°C).
- Butane gas is extremely flammable, handle with care. If butane gas spills, clean thoroughly before lighting torch.
- Do not tamper with or disassemble torch as this could cause product to malfunction.
- Make sure adjustment knob is firmly closed and flame is completely extinguished after each use.
- After use allow the torch to cool down before storing.
- Do not continually use torch for over 1 hour.
- Never puncture or place torch near heat or open flame.
- Follow all instructions and cautions on the fuel canister.

BonJour® Quality Assurance

Thank you for purchasing our product. We wish you years of culinary enjoyment.

BonJour® is dedicated to producing a trusted brand of culinary products, which are manufactured and inspected to ensure the highest quality standards. Please let us know immediately if you find any defects when you open your new BonJour® product. All products found defective upon receipt will be replaced. To inquire about a replacement item, please call our Consumer Relations team at 1-800-2-BONJOUR or via our website at www.bonjourproducts.com.