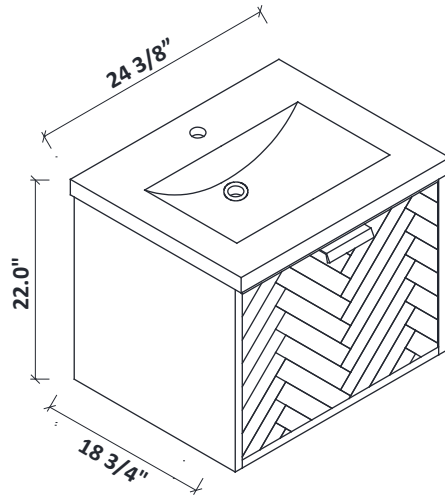
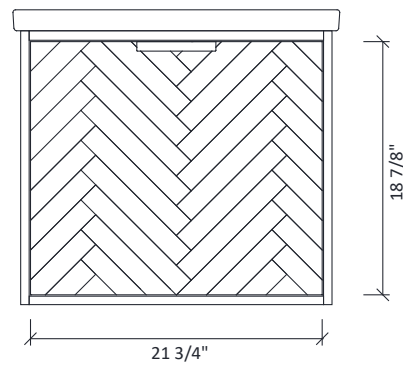
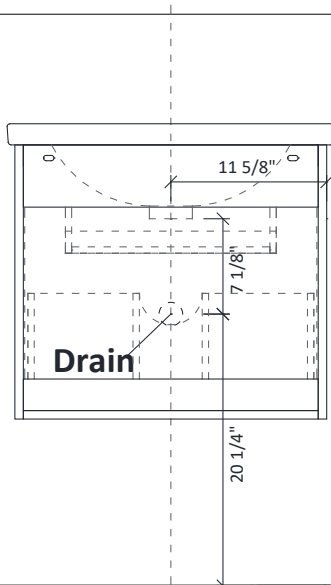
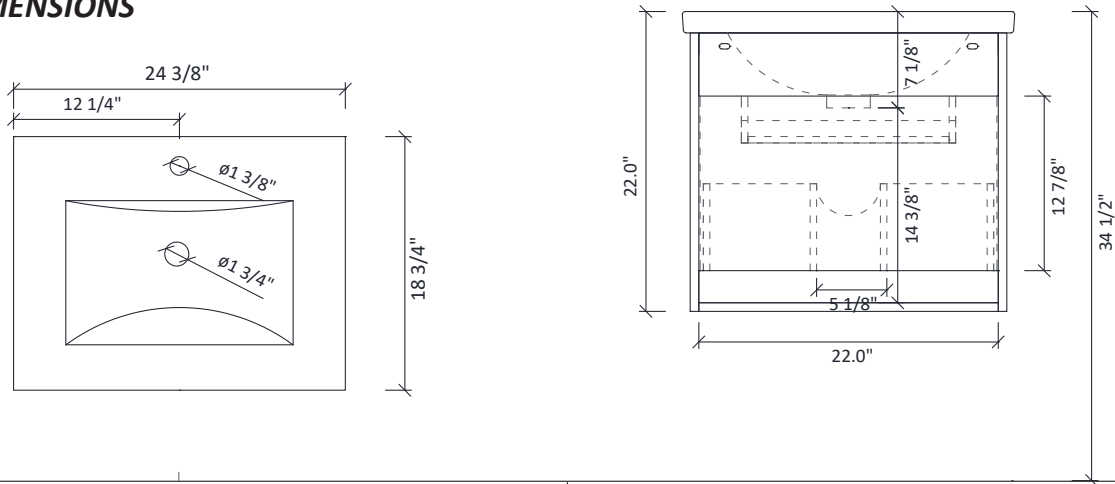


S2405-24 Floating Vanity Installation Instruction



DIMENSIONS



WARNING !

In the hole on the wall, please be sure to be careful to avoid the internal cables and pipelines.

MATERIALS & TOOLS






Safety glasses, Pencil, Level, Tape measure, Stud Finder, Assorted screwdrivers, Assorted Wrenches, Drill, Screw gun, Caulking gun, Hammer, Screws, Nail anchors/Molly screws.

Vanity Installation

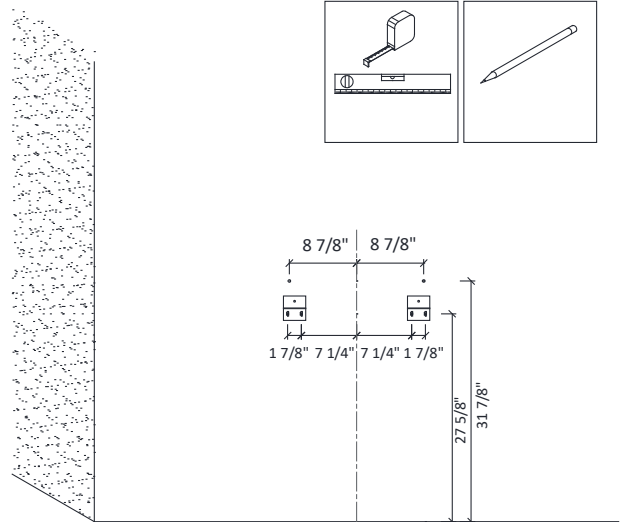
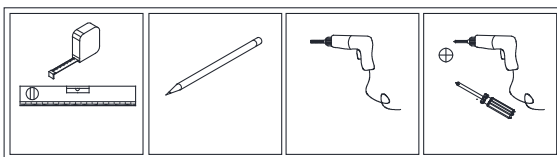
Step 1

Step 2

PARTS

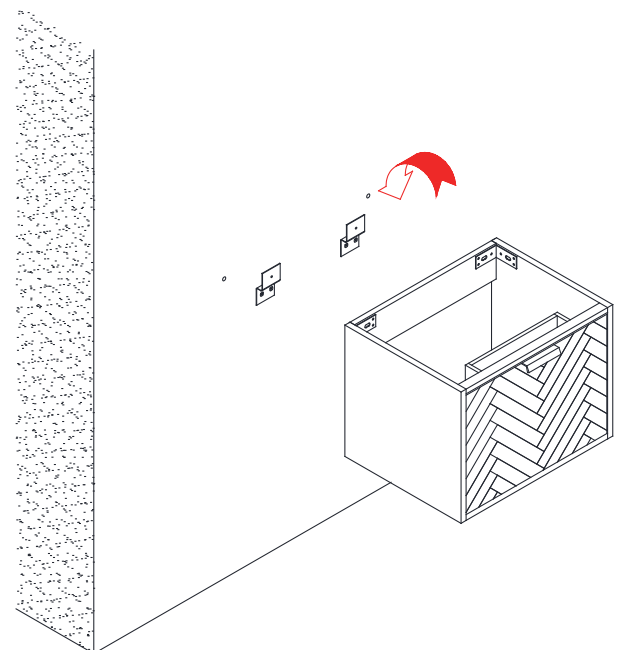
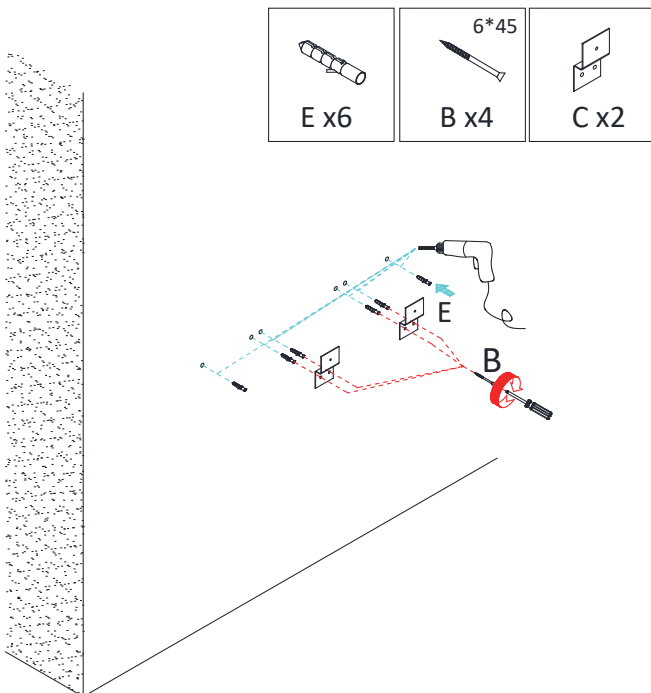
 A x2	 6*45 B x6	 C x2	 3.5*15 D x2
 E x6			

TOOLS REQUIRED



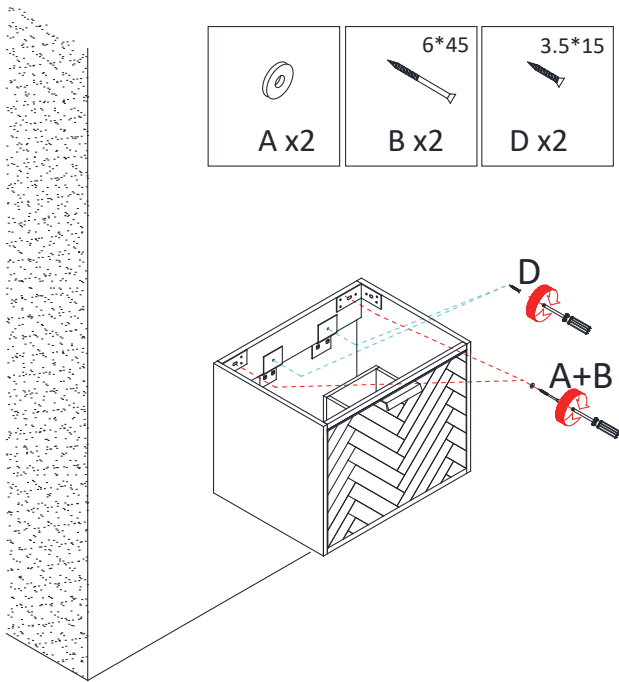
Step 3

Step 4

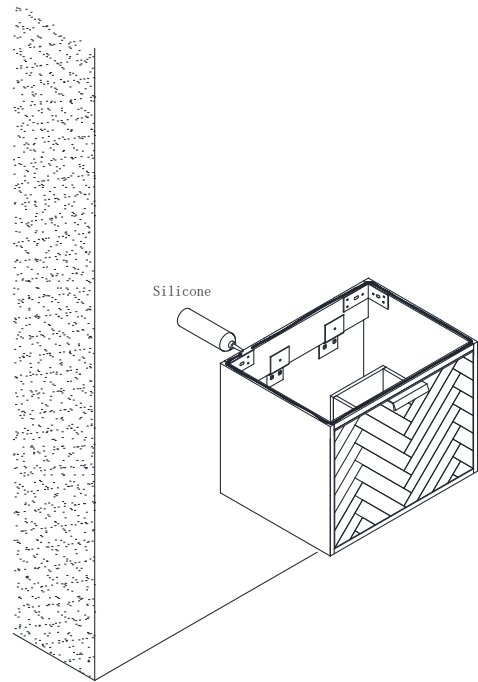


Vanity Installation

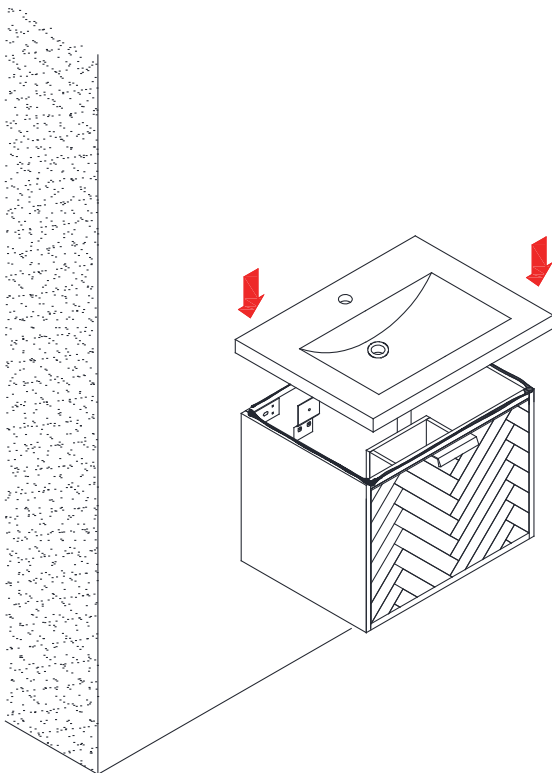
Step 5



Step 6



Step 7



Step 8

