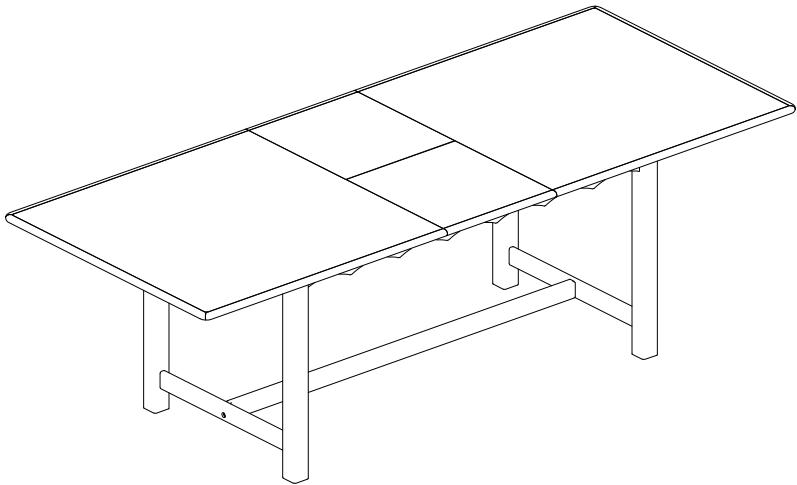


RHYLEE EXTENDABLE WOOD DINING TABLE

DESIGN #SFV4217

Assembly Instructions



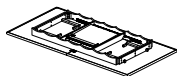
SAFAVIEH
C O U T U R E

Thanks for bringing Safavieh Couture into your home

Everything we make is incredibly simple to set up, including your new table. You won't need any additional tools.

Parts List

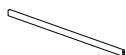
A x 1
TABLE TOP



B x 2
LEGS



C x 1
Support bar



Hardware List

HW1 x 12
Bolt M8x60mm



HW2 x 14
Flat Washer M8x16mm



HW3 x 14
Spring washer M8x14mm



HW4 x 1
Allen key



HW5 x 2
Bolt 8x35mm

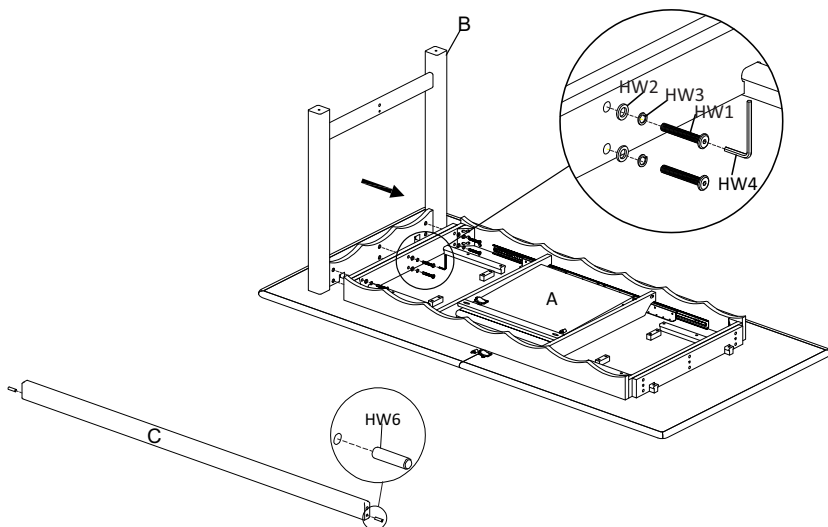


HW6 x 2
Wooden dowel



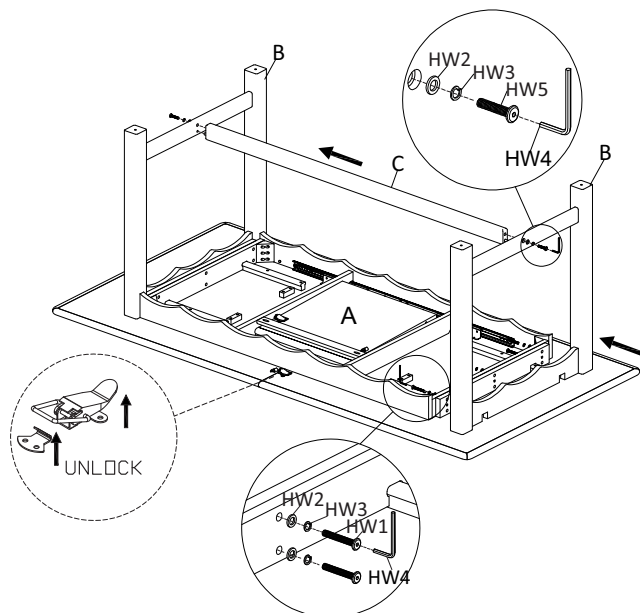
1

Place the table top (A) upside down on a soft surface. Place the spring washers (HW3) and the flat washers (HW2) on the bolts (HW1). Attach one leg (B) to the table top (A) by using the Allen Key (HW4) to screw in the bolts (HW1) with the washers as shown. Insert the wooden dowels (HW6) into the 2 ends of the support bar (C) as shown.

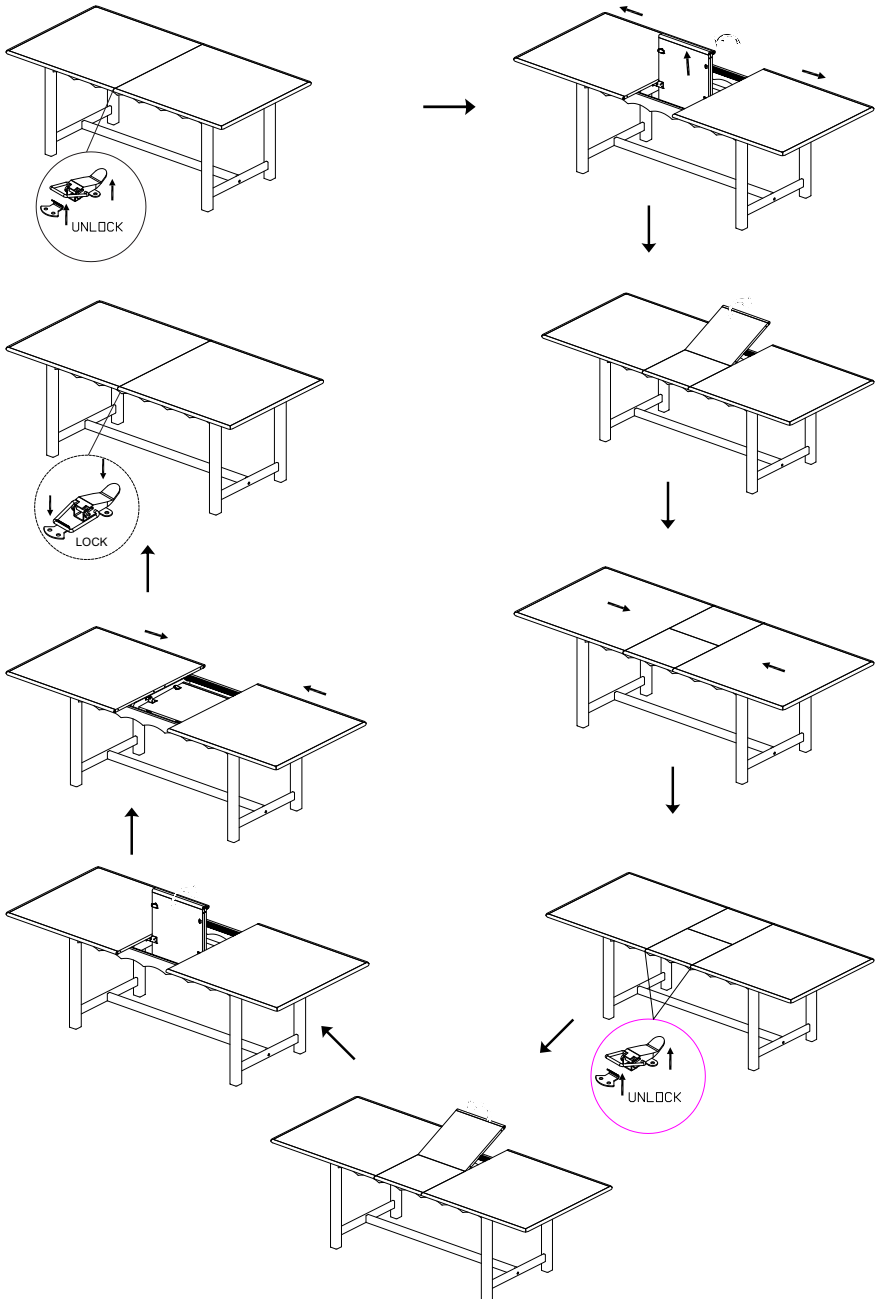


2

Attach the support bar (C) to the legs by using the Allen Key (HW4) to screw in the bolts (HW1) with the washers as shown. Then attach the second leg (B) to the table top by repeating step 1.



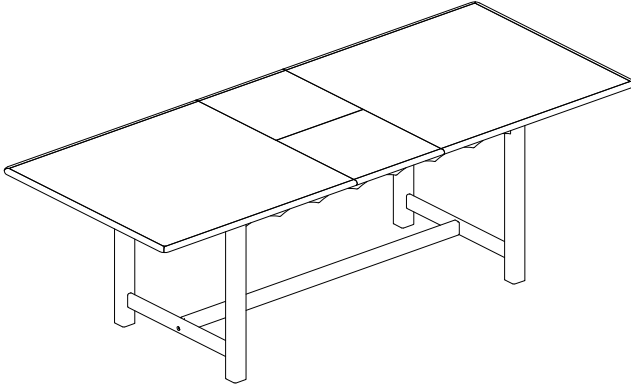
Unlock the lock underneath the table top. Pull the table top apart to access the leaf. Unfold the leaf and place it in between the 2 halves of the table top. Push the table top back together.



4

Place the dining table in the place where you will use it. We'd love to see it – just tag us (we're @safavieh) and use the hashtag #safavieh on Instagram!

@safavieh



Need help?

Feel free to contact us via email or call
if you have any specific questions!

contact us:

cs@safavieh.com

866-422-9070