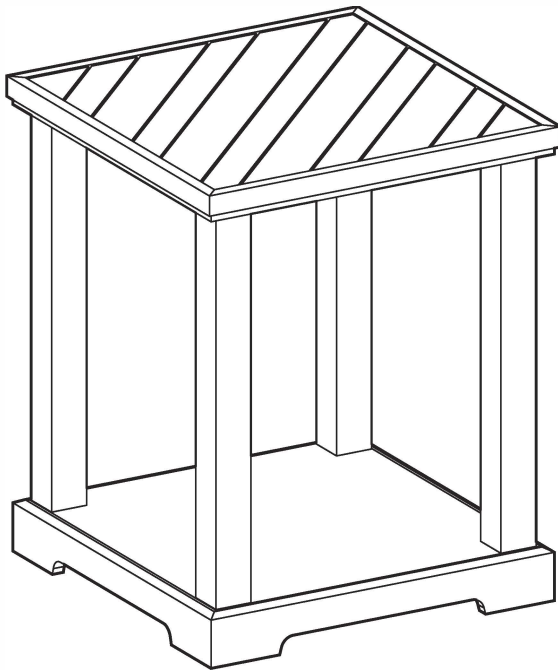
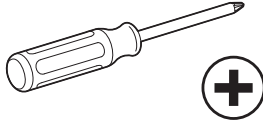


INSTRUCTION MANUAL



End Table

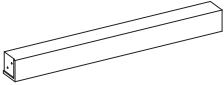
Tools Needed (Not Included)



Phillips Screwdriver

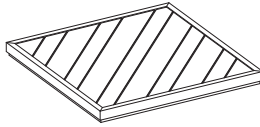
Supplied Parts and Hardware

01 x 4



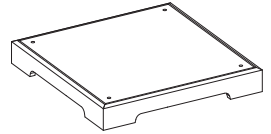
Leg

02 x 1



Tabletop

03 x 1



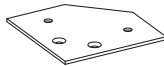
Base

A x 16



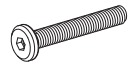
M4 x 25mm
Screw

B x 4



Bracket

C x 4



M6 x 40mm
Bolt

D x 4



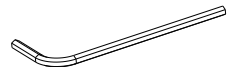
1/4" x 1.5mm
Washer

E x 4



Φ16 x 1/4" x 1mm
Washer

F x 1

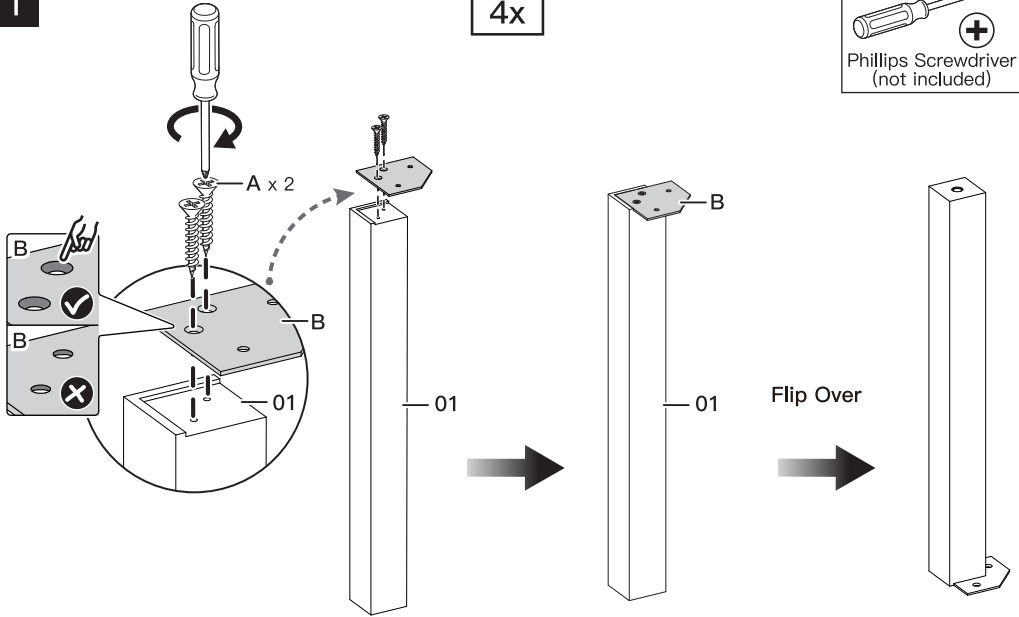


5/32" (4mm)
Allen Key

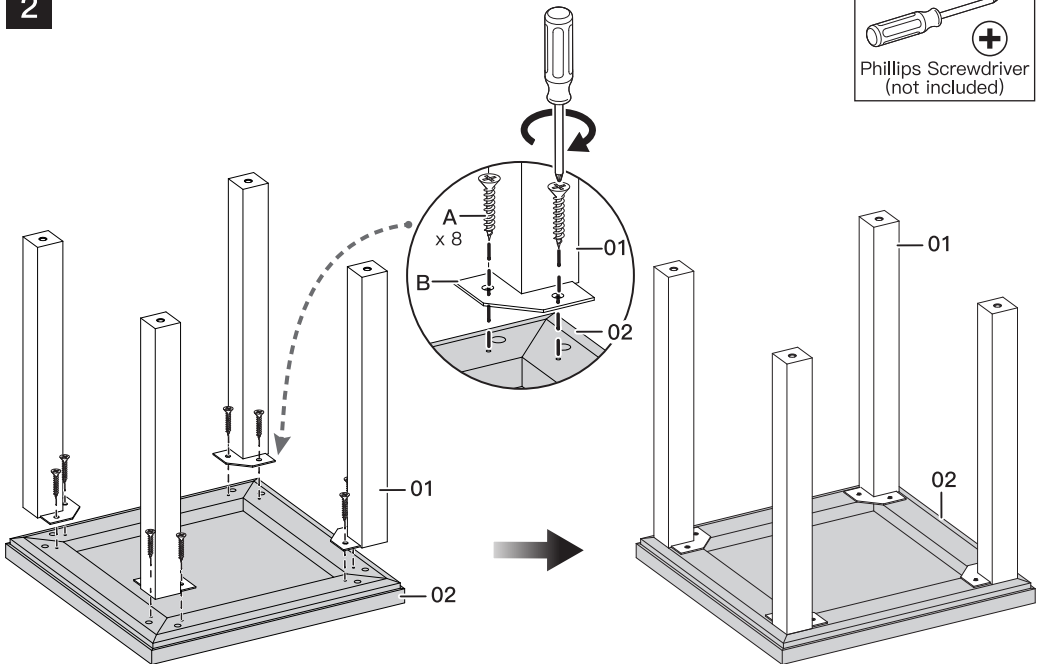
Installation

1

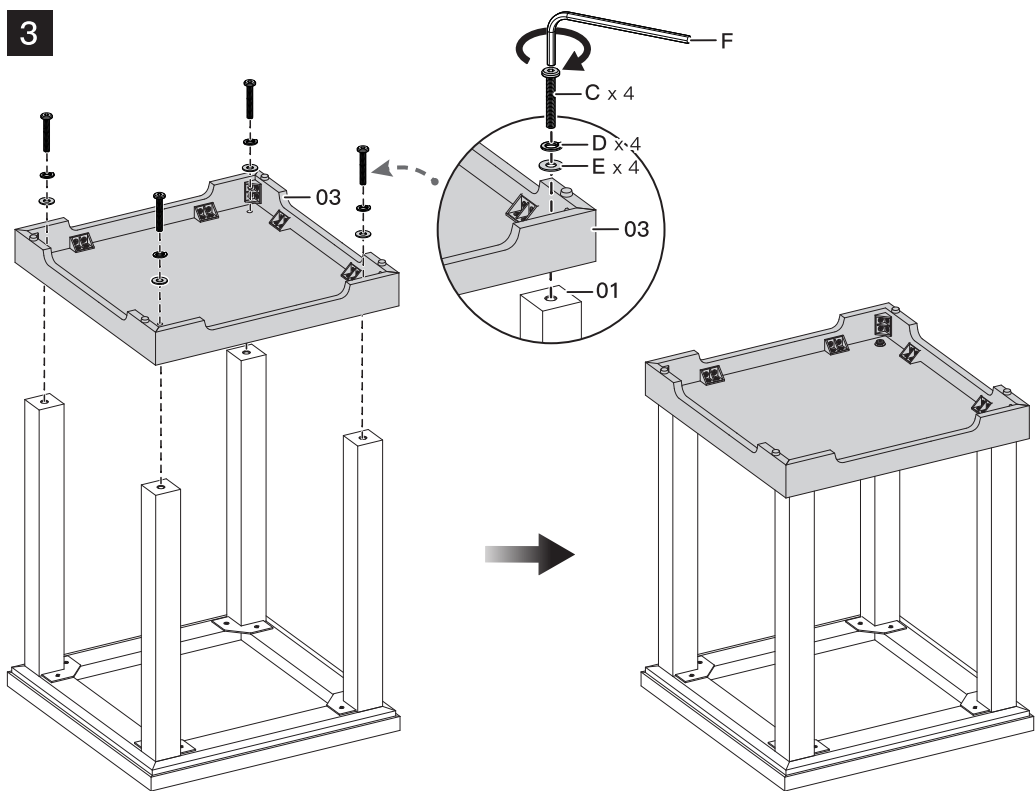
4x



2



3



4

