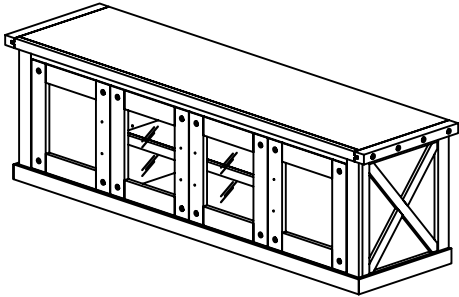
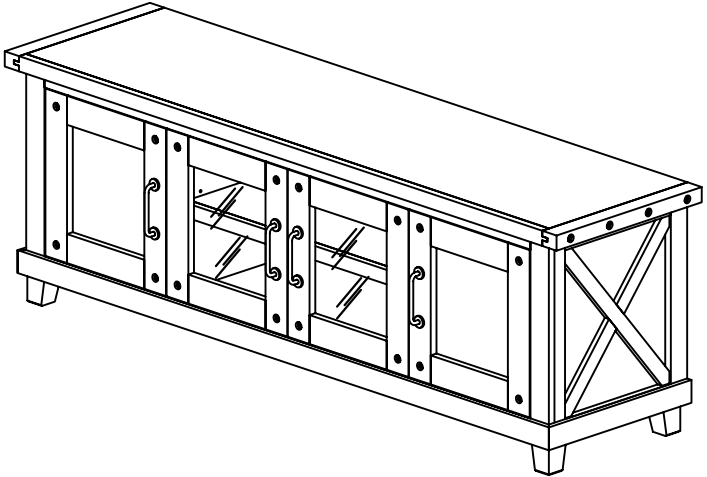

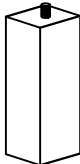


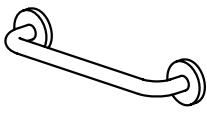

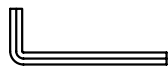


ASSEMBLY INSTRUCTIONS

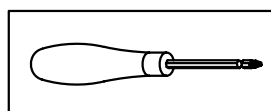
<p>A. CASE GOOD 1PC</p> 	<p>ASSEMBLY INSTRUCTIONS</p> 
<p>B. LEGS 4PCS</p> 	
<p>C. SUPPORT LEG 2PCS</p> 	

HARDWARE PACKED IN CARTON

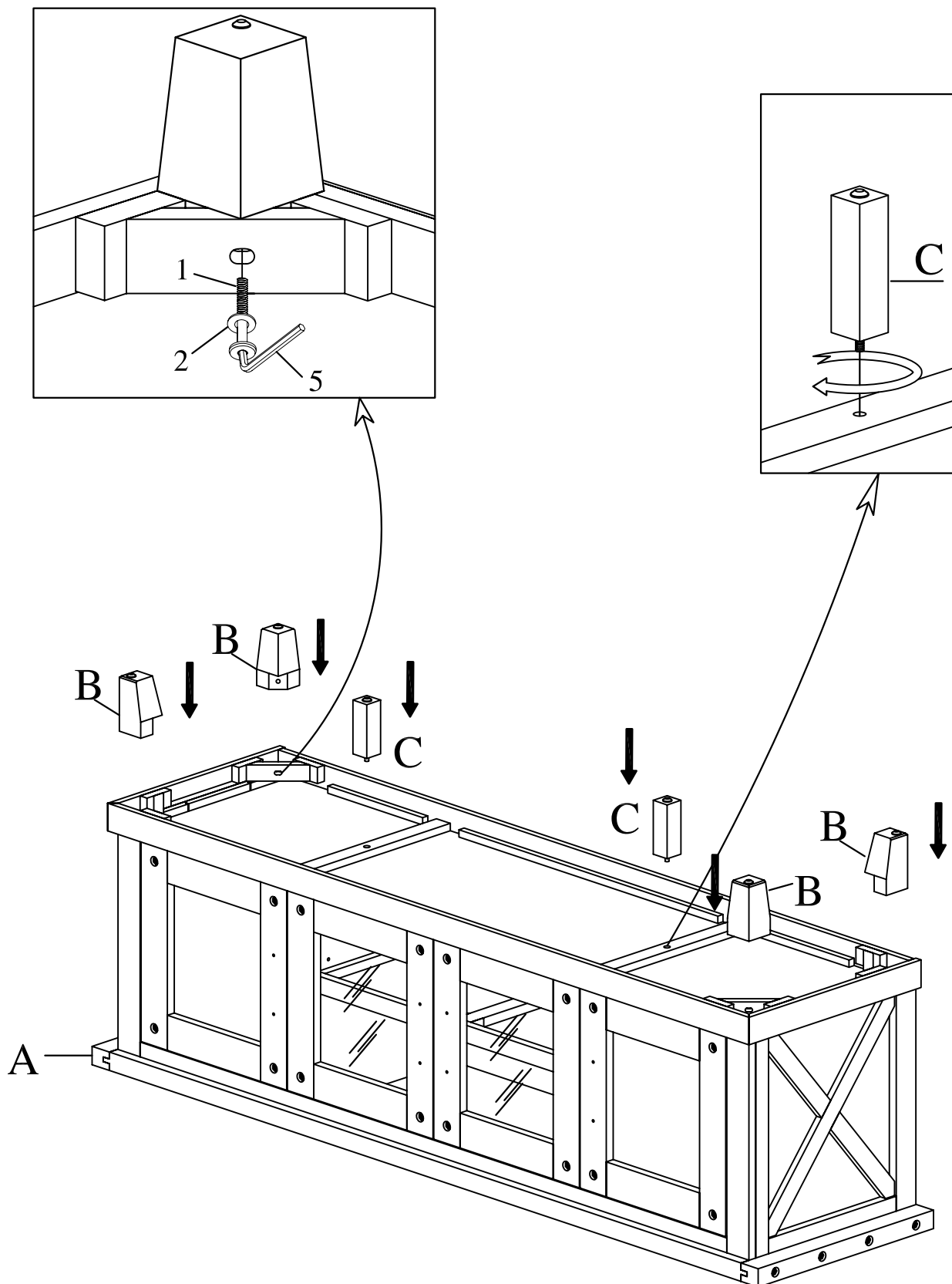
1	ALLEN BOLT (M6X50) 04 PCS	2	FLAT WASHER (M9) 04 PCS	3	HANDLE 04 PCS	4	THREADED BOLT (M4X30) 08 PCS	5	ALLEN KEY (M4) 01 PC
									

TOOL REQUIRED

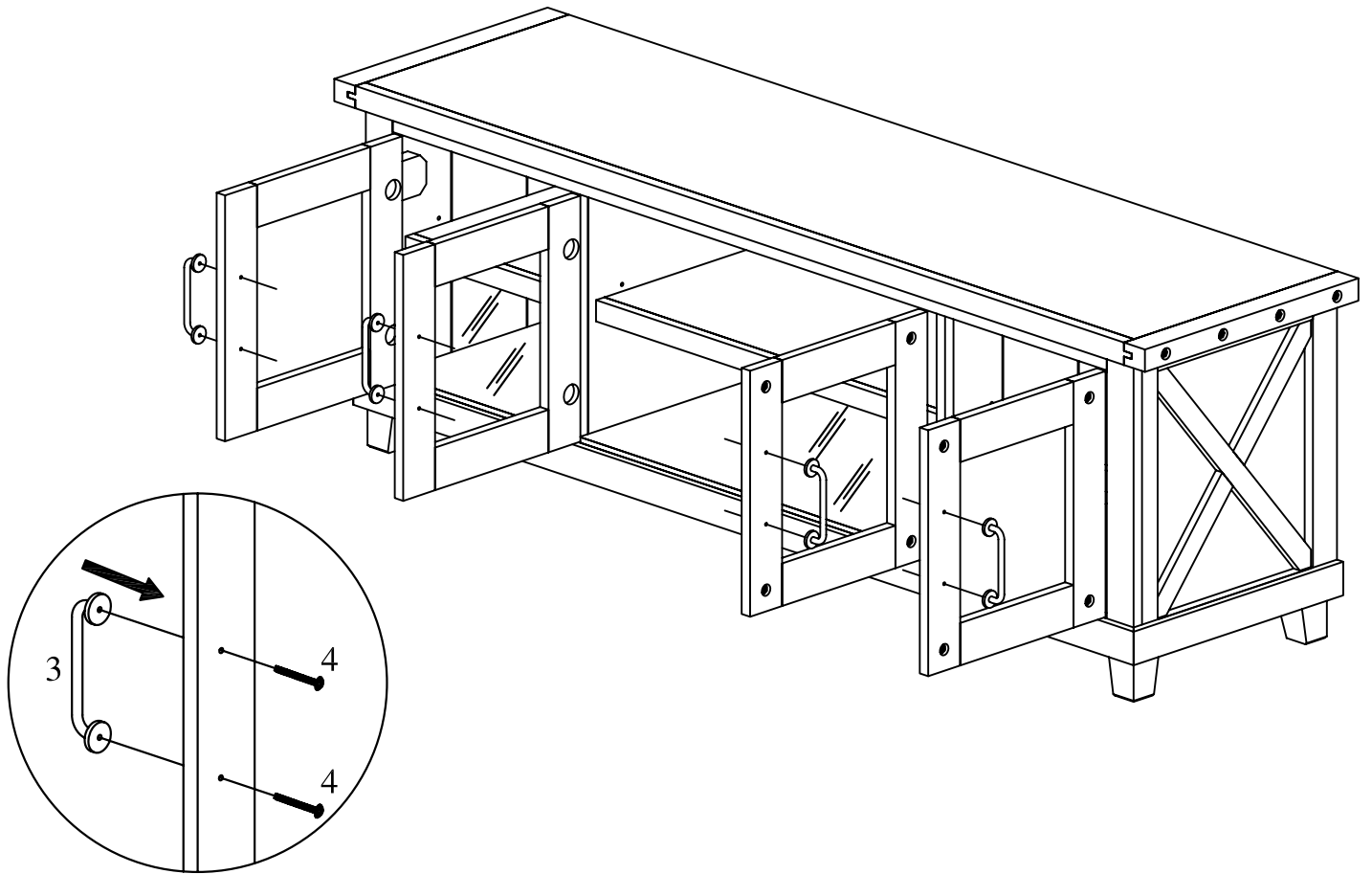
PHILLIPS HEAD SCREW DRIVER NOT PROVIDED



STEP 1: WITH THE CASE GOOD (A) UPSIDE DOWN, ATTACH THE LEGS (B) AND SUPPORT LEG (C) PER THE ILLUSTRATION, USING ONE ALLEN BOLT (1) AND FLAT WASHSER (2) PER LEG. ATTACH THE CENTER LEG SUPPORT AS SHOWN.



STEP 2: ATTACH THE HANDLES (3) TO THE DOORS WITH PROVIDED SCREWS (4).



ASSEMBLY COMPLETE.

