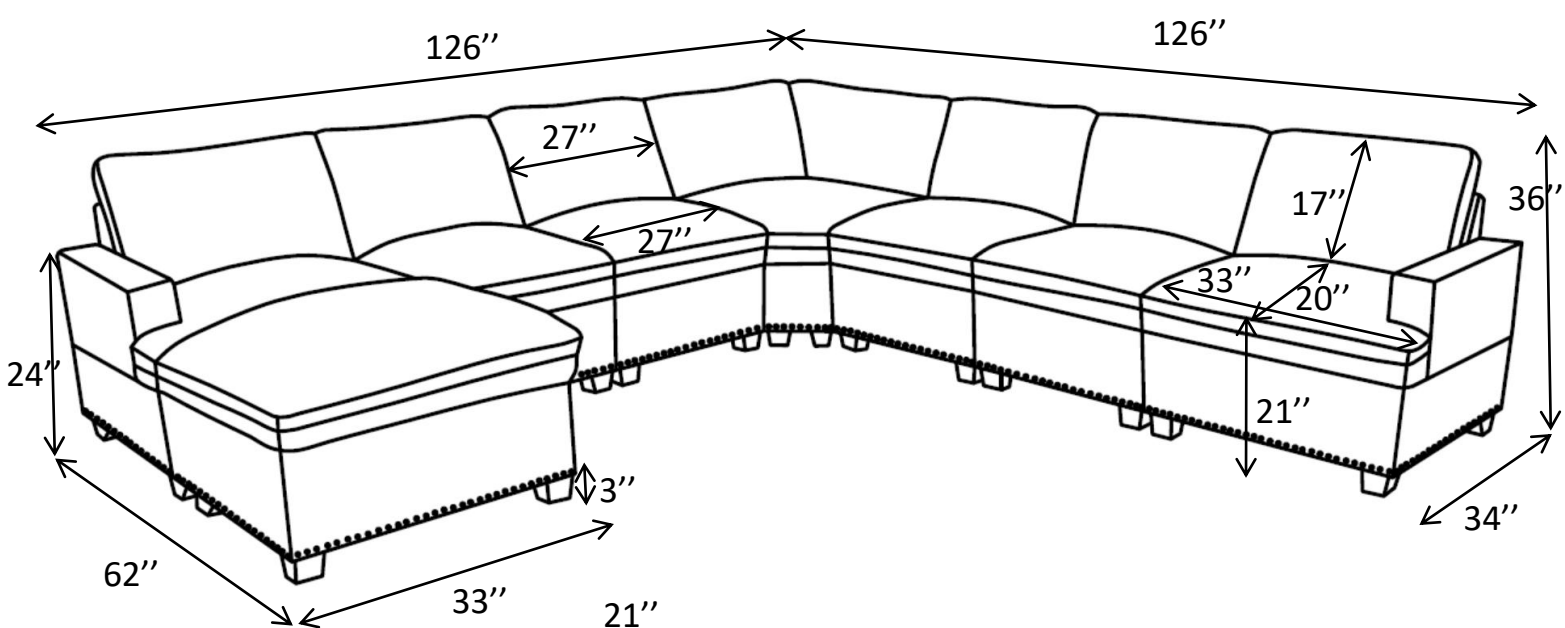


HAPPINESS HAPPINESS INSTALLATION

CAUTION

Parts are placed at the bottom of the product.

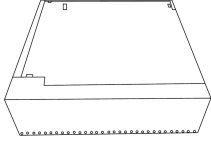
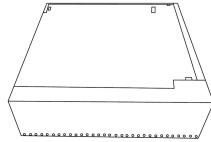
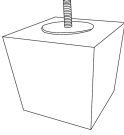
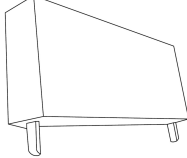
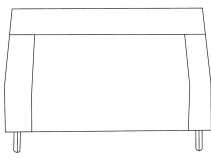
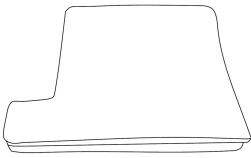
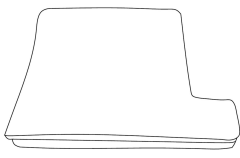
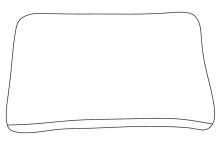
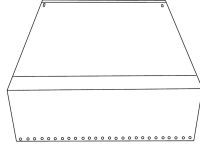
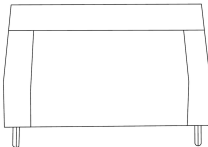
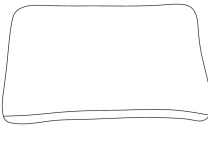
Overall Dimension:

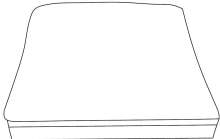
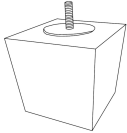
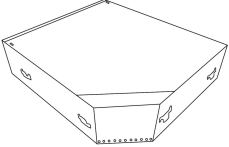
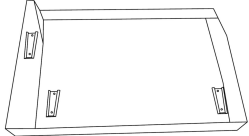
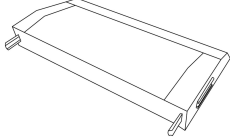
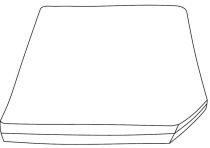
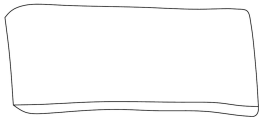

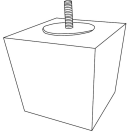
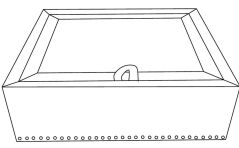
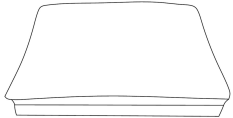
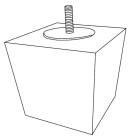


Assembly instructions

Your sofa comes packaged in several boxes. Carefully remove all of components from the packaging and set aside for assembly.

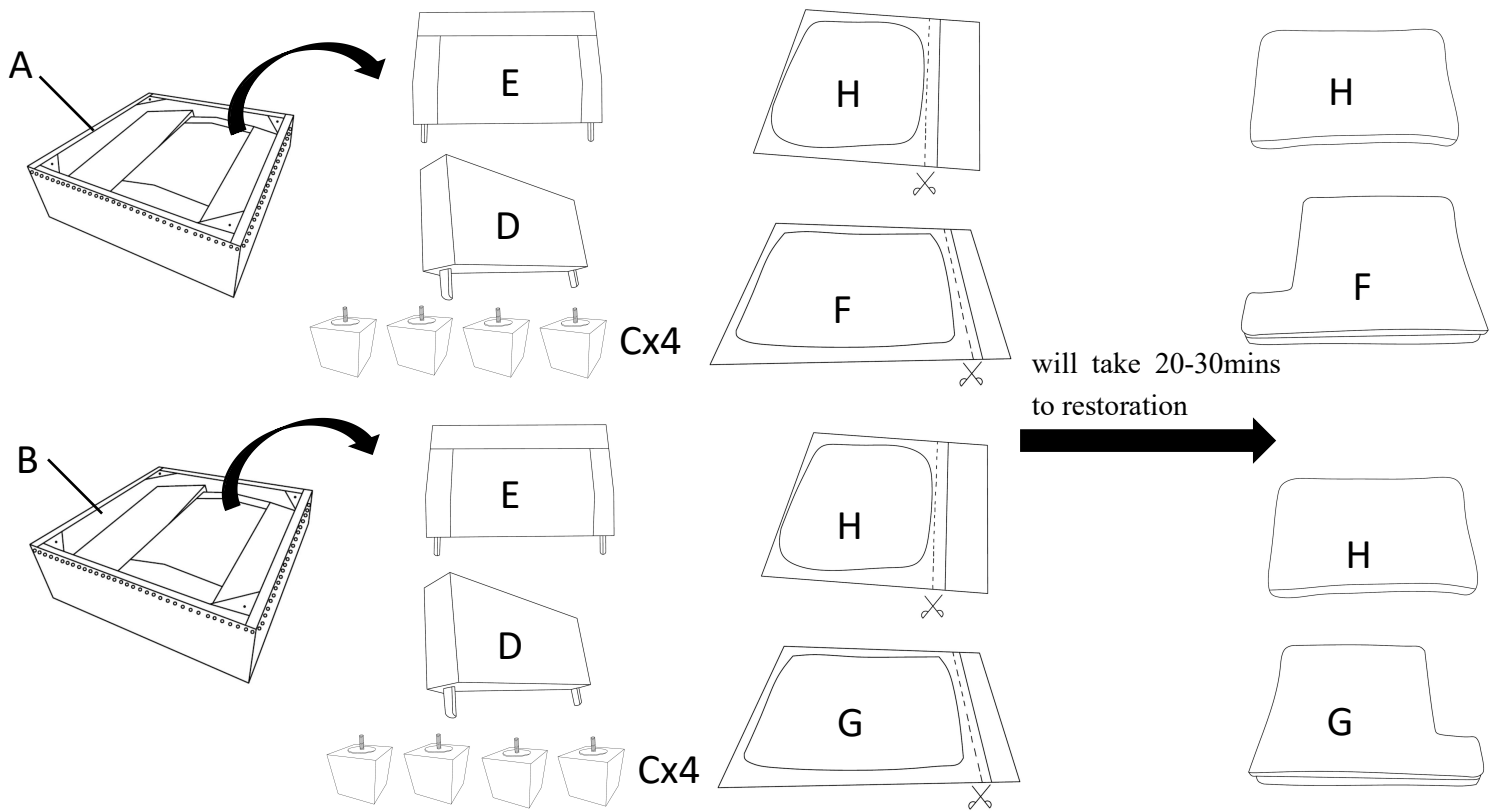
Package Contents

<p>A*1</p>  <p>Left Side Seat Base</p>	<p>B*1</p>  <p>Right Side Seat Base</p>	<p>C*8</p>  <p>Legs with Washer</p>	<p>BOX1</p>
<p>D*2</p>  <p>Arms</p>	<p>E*2</p>  <p>Back Frame</p>	<p>F*1</p>  <p>Left Side Seat Cushion</p>	
<p>G*1</p>  <p>Right Side Seat Cushion</p>	<p>H*2</p>  <p>Back Cushion</p>		
<p>I*1</p>  <p>Middle Seat Base</p>	<p>E*1</p>  <p>Back Frame</p>	<p>H*1</p>  <p>Back Cushion</p>	

<p>J*1</p>  <p>Middle Seat Cushion</p>	<p>C*4</p>  <p>Legs with Washer</p>		
<p>K*8</p>  <p>Corner Seat Base</p>	<p>L*2</p>  <p>Corner Back Frame-1</p>	<p>M*2</p>  <p>Corner Back Frame-2</p>	
<p>N*1</p>  <p>Corner Seat Cushion</p>	<p>O*1</p>  <p>Corner Back Cushion-1</p>	<p>P*1</p>  <p>Corner Back Cushion-2</p>	<p>BOX3</p>
<p>C*5</p>  <p>Legs with Washer</p>			
<p>Q*1</p>  <p>Ottoman Base</p>	<p>R*1</p>  <p>Ottoman Cushion</p>	<p>C*4</p>  <p>Legs with Washer</p>	<p>BOX4</p>

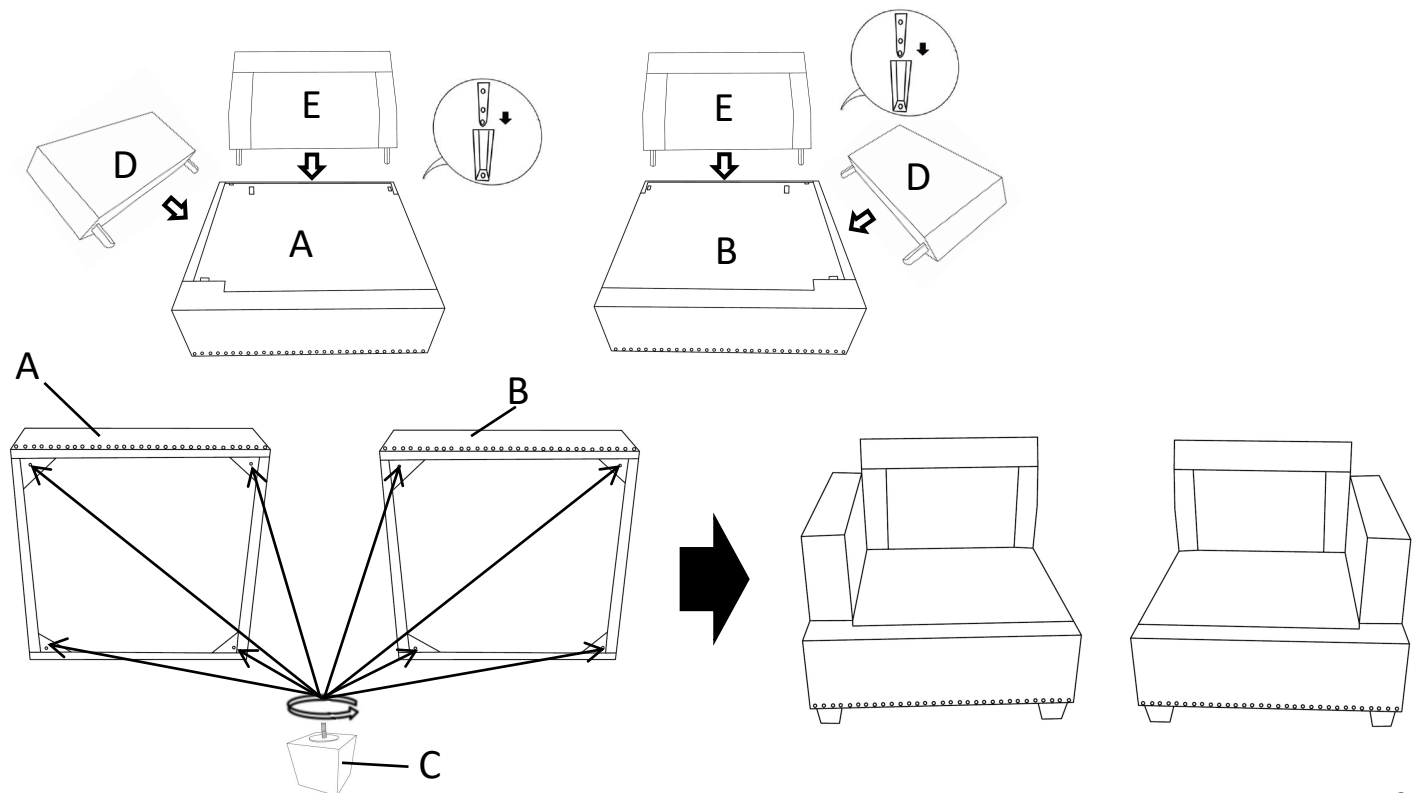
STEP 1:

Take out the **Back Frame(E)** and **Arms(D)** and **Back Cushion(H)** and **Left side Seat Cushion(F)** and **Right side Seat Cushion(G)** and **Leg(C)** from the bottom of **Left Side Seat Base(A)** and **Right Side Seat Base(B)**, Then **CUT OPEN** the compressed Seat cushion and Back cushion and It will take 20-30mins to restoration.



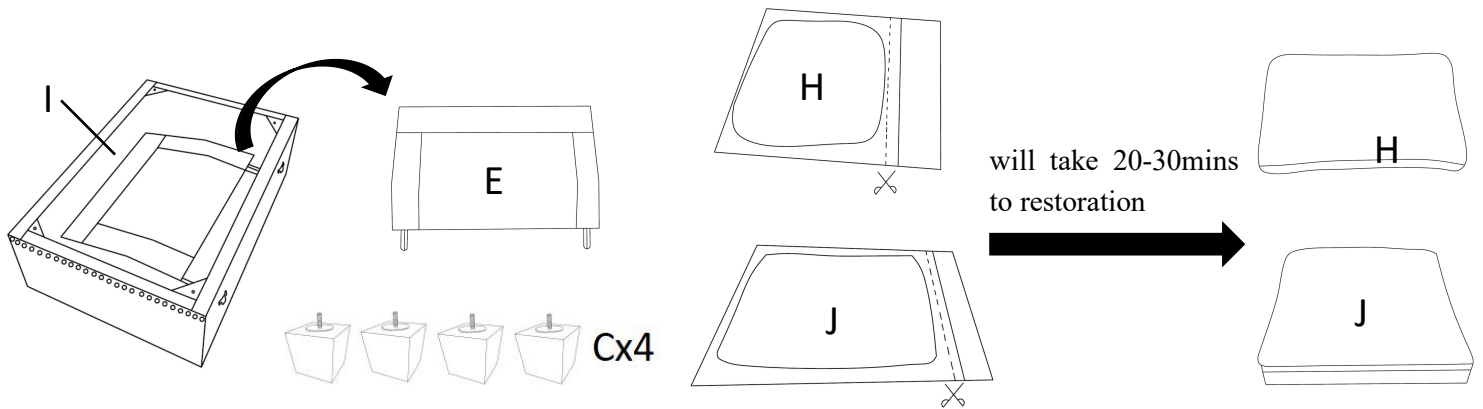
STEP 2:

Insert the **Back Frame(E)** and **Arm(D)** into both **Left Side Seat Base(A)** and **Right Side Seat Base(B)**, and then Assemble the **Legs(C)** to both **Left Side Seat Base(A)** and **Right Side Seat Base(B)**.



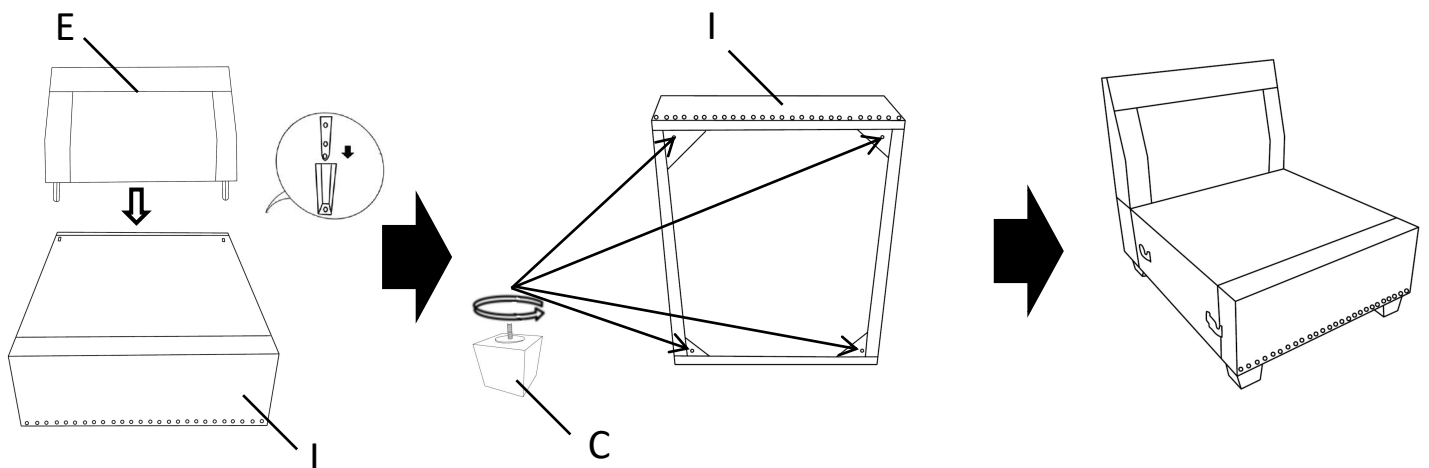
STEP 3:

Take out the **Middle Seat Cushion(J)** and **Back Cushion(H)** and **Back Frame(E)** and **Legs(C)** from the bottom of **Middle Seat Base(I)**, then CUT OPEN the compressed Seat cushion and Back cushion and It will take 20-30mins to restoration.



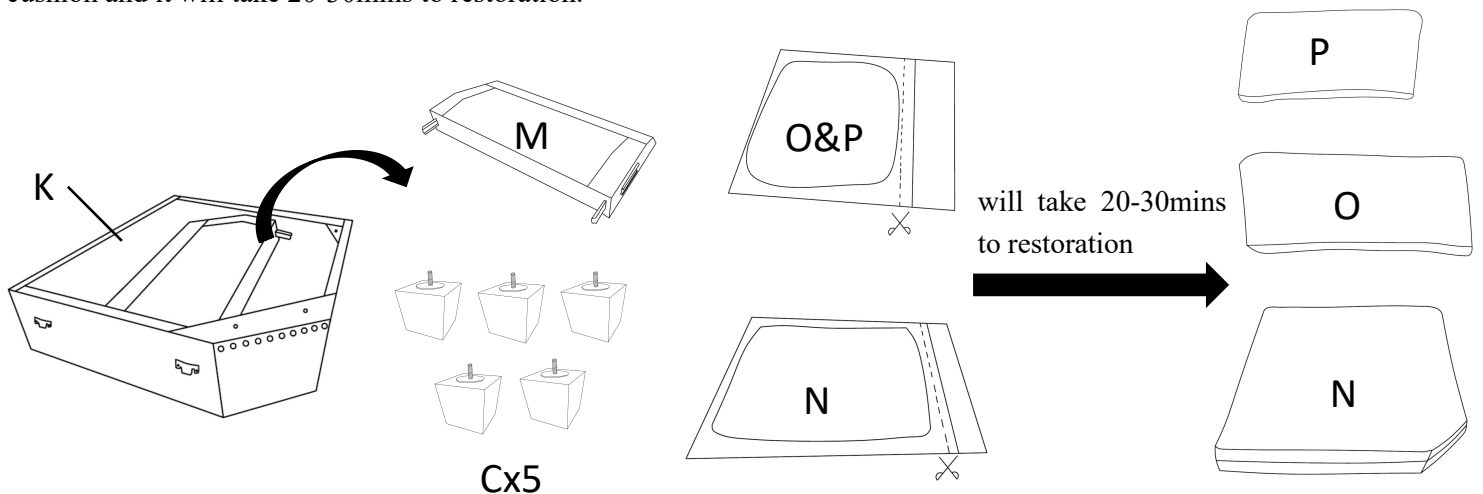
STEP 4:

Insert the **Back Frame(E)** into the **Middle Seat Base(I)** and then assemble the **Legs(C)** to the **Middle Seat Base(I)**.



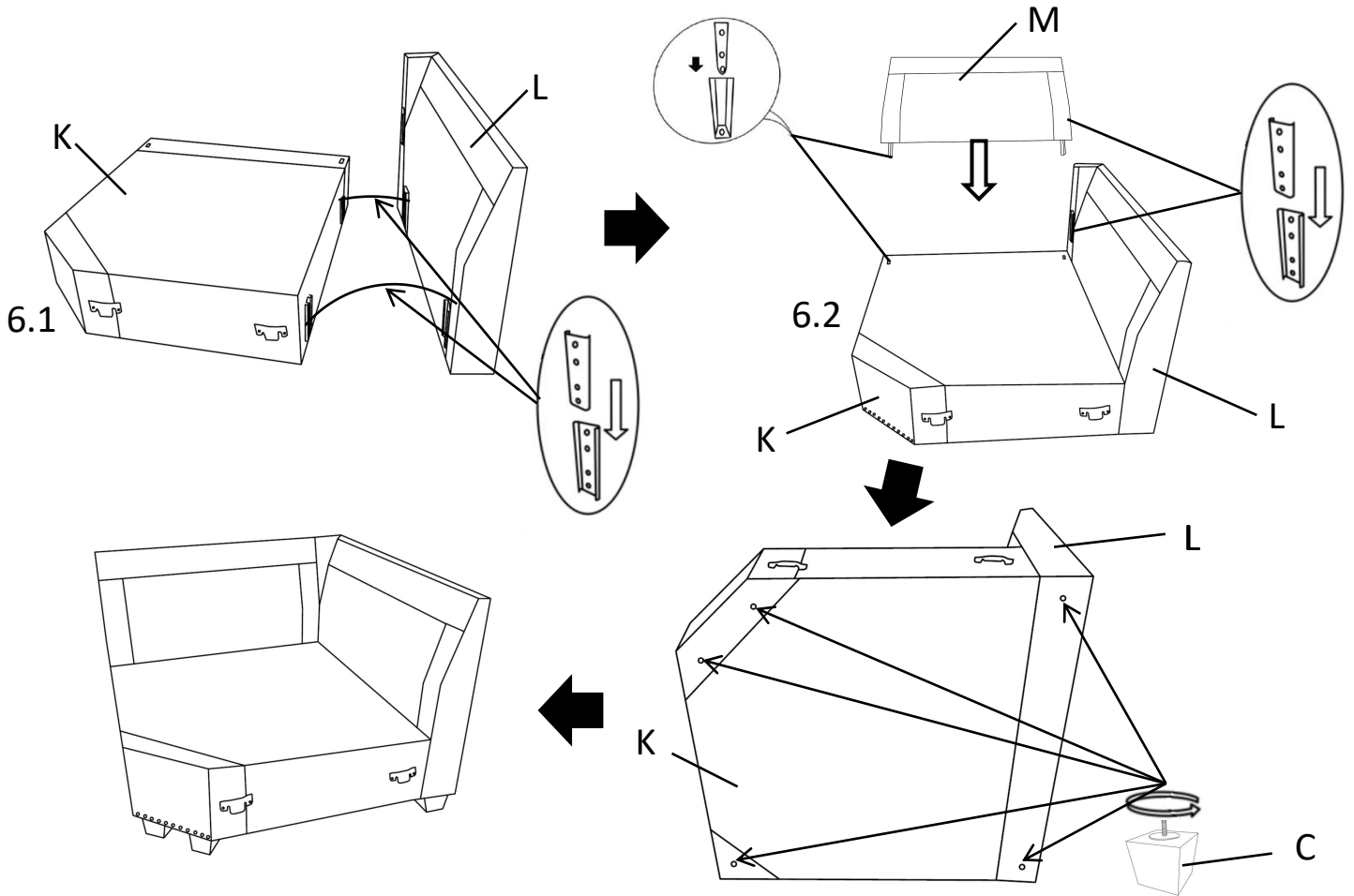
STEP 5:

Take out the **Corner Back Frame-2(M)** and **Corner Seat Cushion(N)** and **Corner Back Cushion-1(O)** and **Corner Back Cushion-2(P)** and **Legs(S)** from the **Corner Seat Base(K)**, then CUT OPEN the compressed Seat cushion and Back cushion and It will take 20-30mins to restoration.



STEP 6:

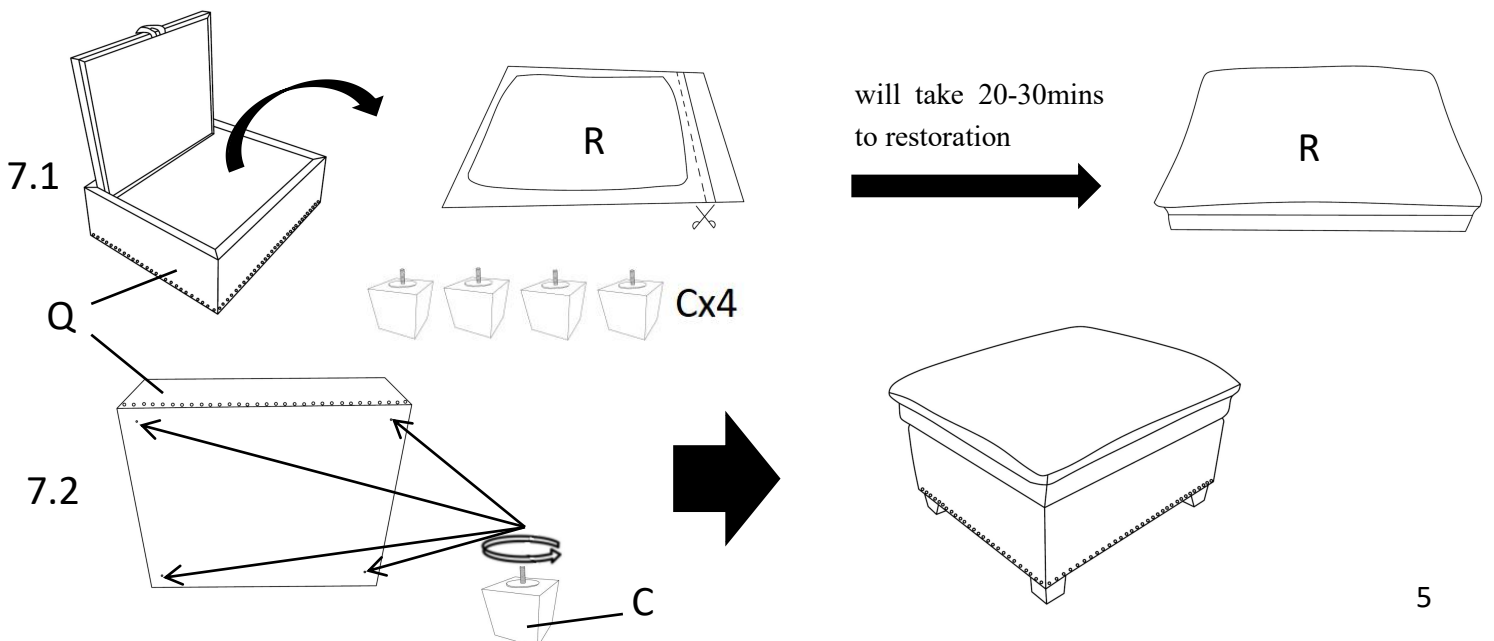
Connect the **Corner Seat Base(K)** with the **Corner Back Frame-1(L)** like Step 6.1, and then insert the **Corner Back Frame-2(M)** into the **Corner Seat Base(K)** like Step 6.2, and then assemble the **Legs(C)** to the assembled Corner Seat Base.



STEP 7:

Take out the **Ottoman Cushion(U)** and **Legs(C)** from the storage of the **Ottoman Body(T)**, and then CUT OPEN the compressed cushion and it will take 20-30mins to restoration.

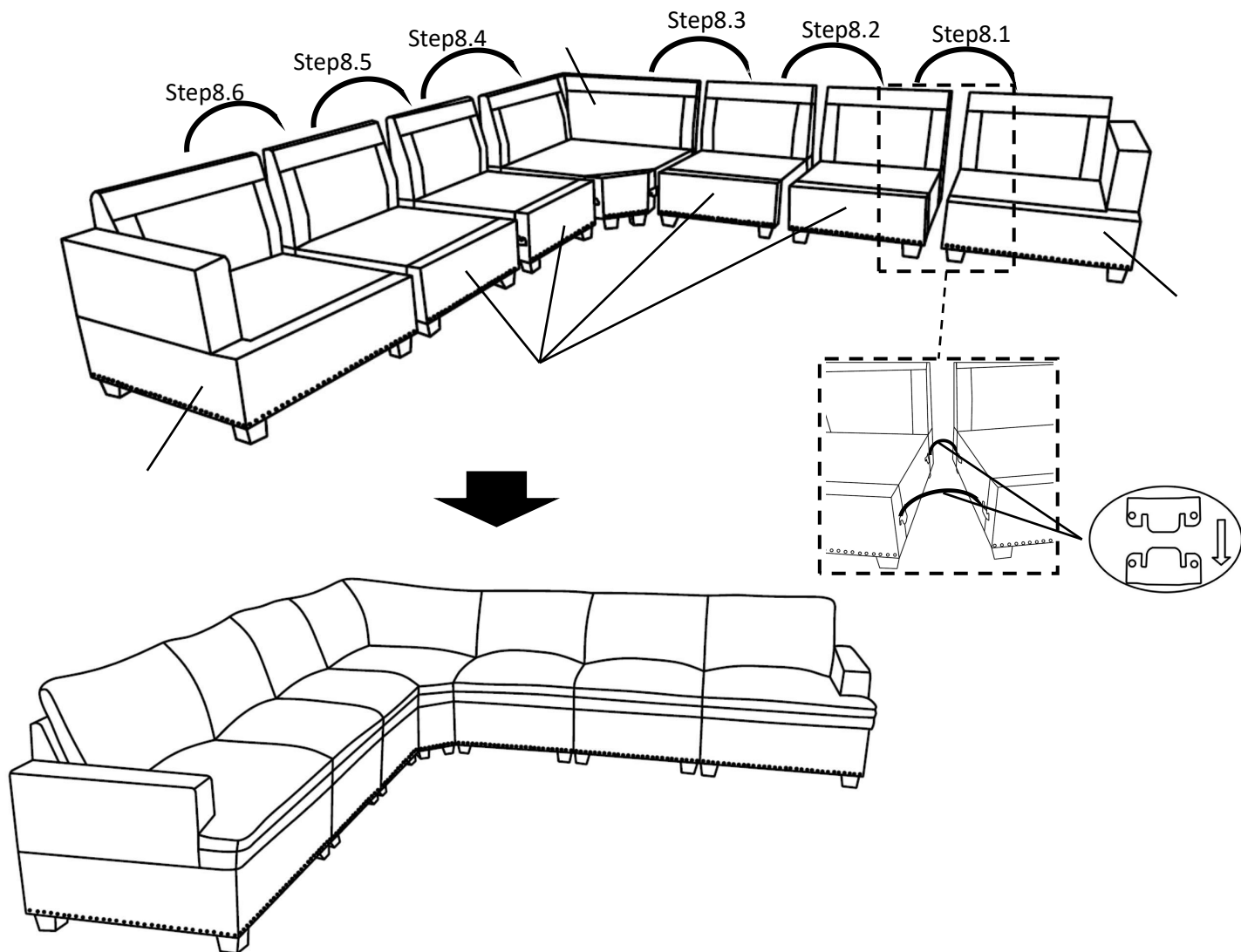
Then assemble the **Legs(C)** to the **Ottoman Body(T)**. Put the Cushion on the Ottoman body at last.



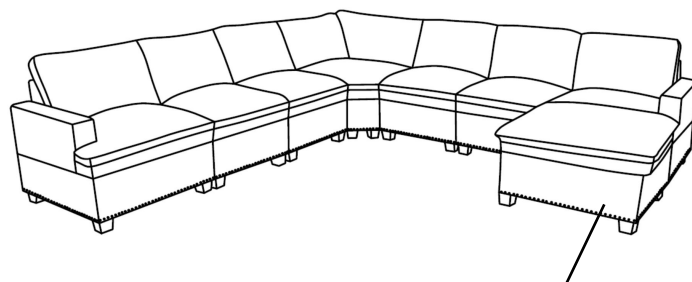
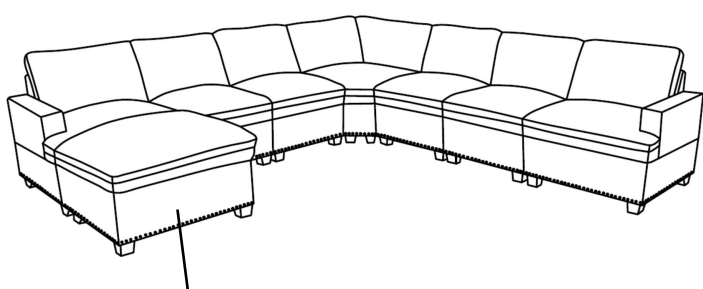
STEP 8:

You can connect all these parts one by one to and then put all the Seat Cushion and Back Cushion on it to get a Whole Sectional sofa for use.

Note : Also you can choose quantity of Middle Seat to get Different Size of Sectionals.



Note: If you buy the Ottoman also, You can choose Left or Right Position to place.



Warnings

1. Please check if the components of the sofa are all included and can be used normally.
2. Assemble all components according to the instruction correctly before you use the sofa.
3. Please **DO NOT** sit on the armrests to eliminate the risk of tipping over.
4. If the sofa is damaged or doesn't match the website description, please send clear pictures of the product and label of the carton to our service team for further help.
5. If you have any questions with the product, please contact us

