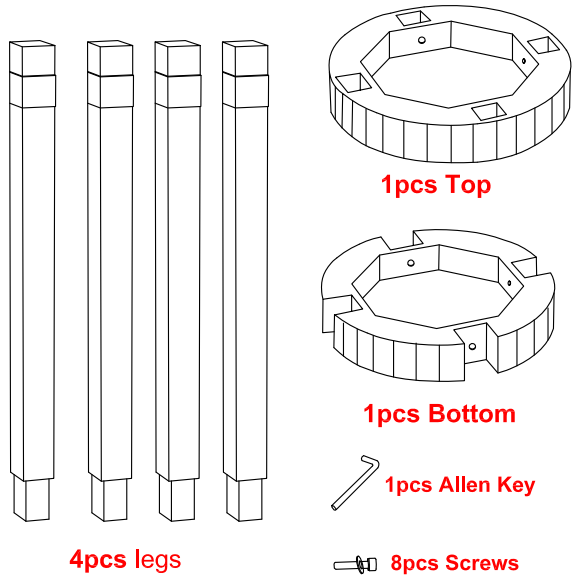
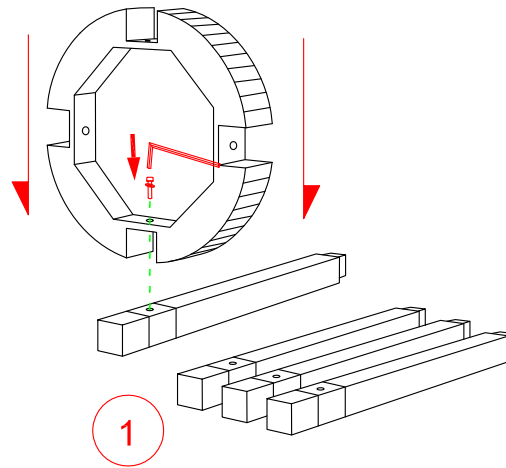


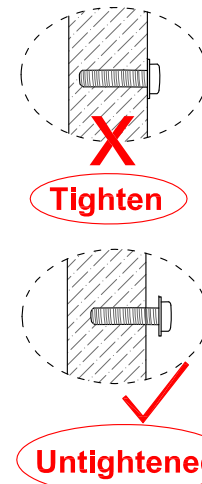
Installation Instructions



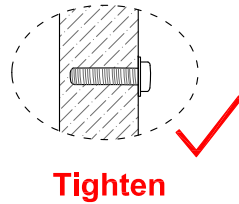
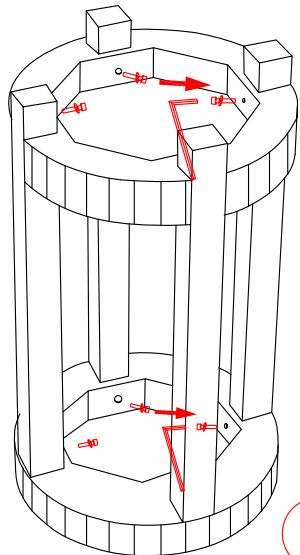
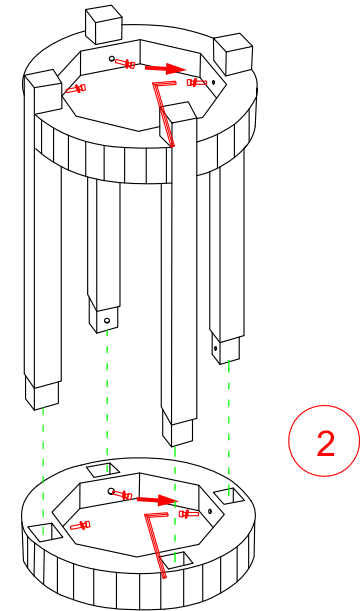
INSTALLATION PARTS AND TOOLS



Match each leg to the base and lightly screw in the bolts a few turns. Do not fully tighten yet.



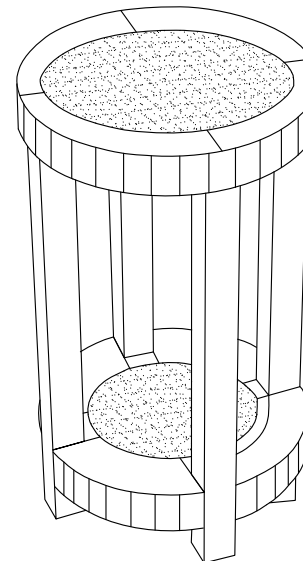
Place the base with the attached legs on the tabletop. Insert the bolts into the holes and turn a few times. Do not tighten fully.



Once everything is in place, tighten all the bolts.

Important Notes:

Do not fully tighten one bolt before aligning all parts. This can cause misalignment and instability. Loosely screw in all bolts first. Once all parts are in place, then fully tighten the bolts.



Turn the item upside down and the installation is complete.