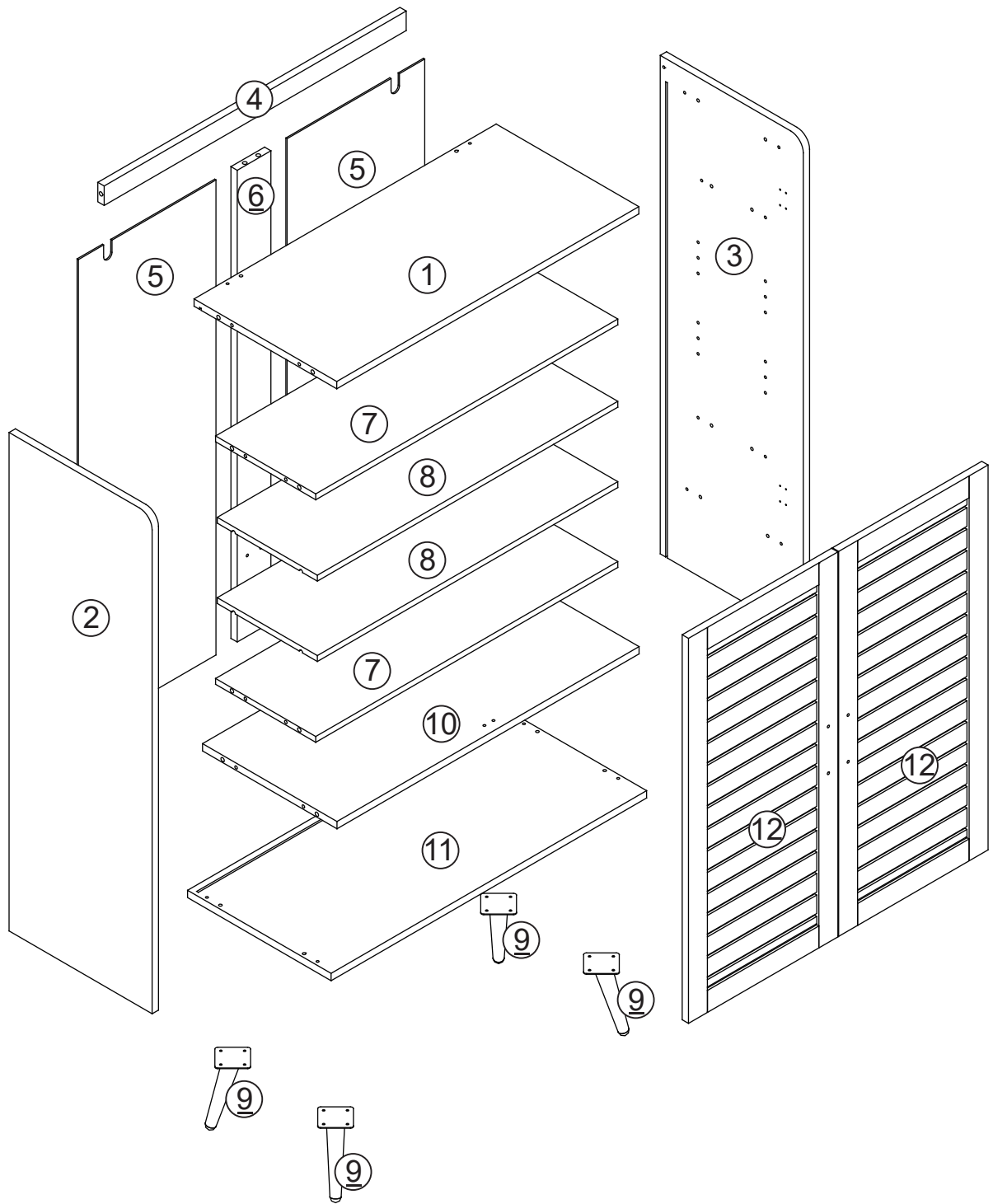


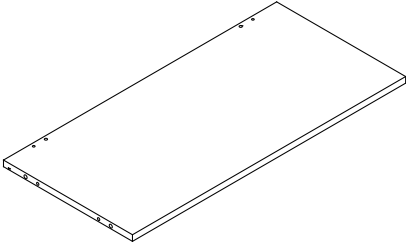
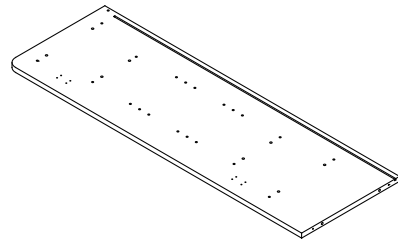
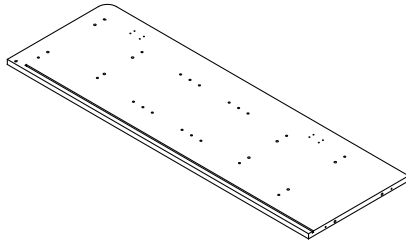
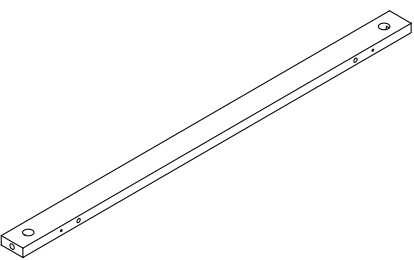
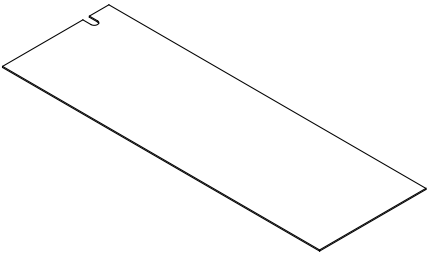
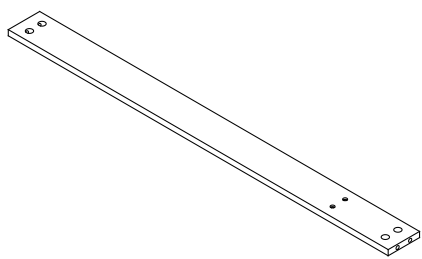
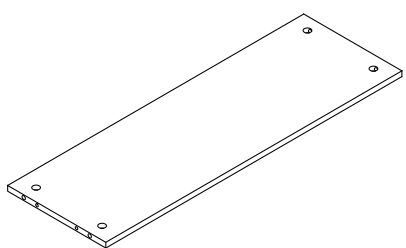
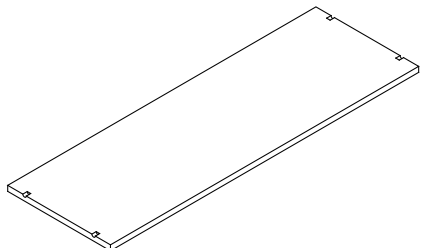
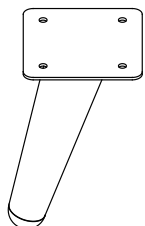
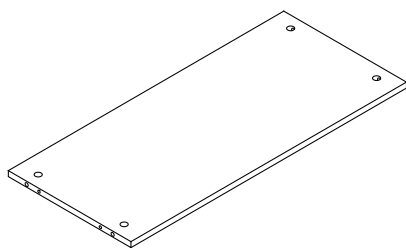
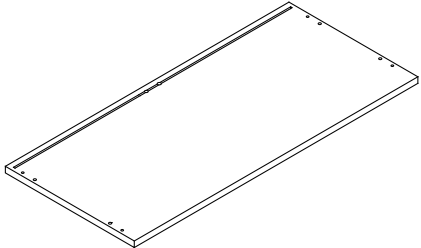
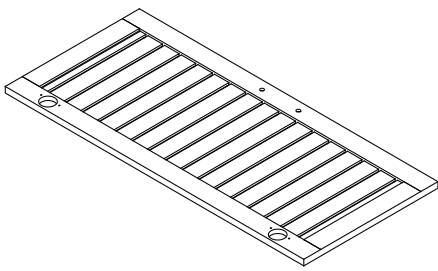
ASSEMBLY INSTRUCTION

Foreword:

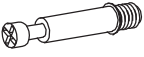




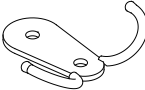

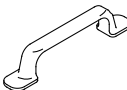

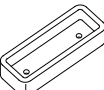



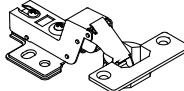





Thanks for purchase our Dog Crate Furture, hope it will bring you satisfied experience!

Please kindly check the parts list on the instruction with the pacakge received, to make sure all parts are comlete. And then read the instruction carefully before start to assemble.

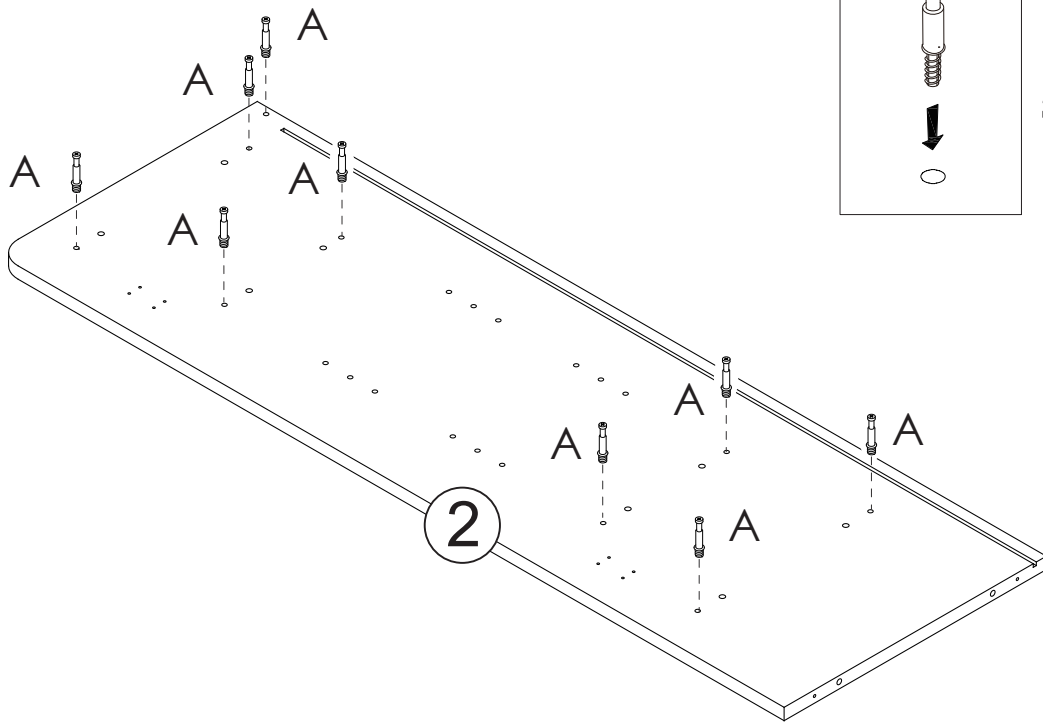



<p>1 x1</p> 	<p>2 x1</p> 	<p>3 x1</p> 
<p>4 x1</p> 	<p>5 x2</p> 	<p>6 x1</p> 
<p>7 x2</p> 	<p>8 x2</p> 	<p>9 x4</p> 
<p>10 x1</p> 	<p>11 x1</p> 	<p>12 x2</p> 

HARDWARE LIST

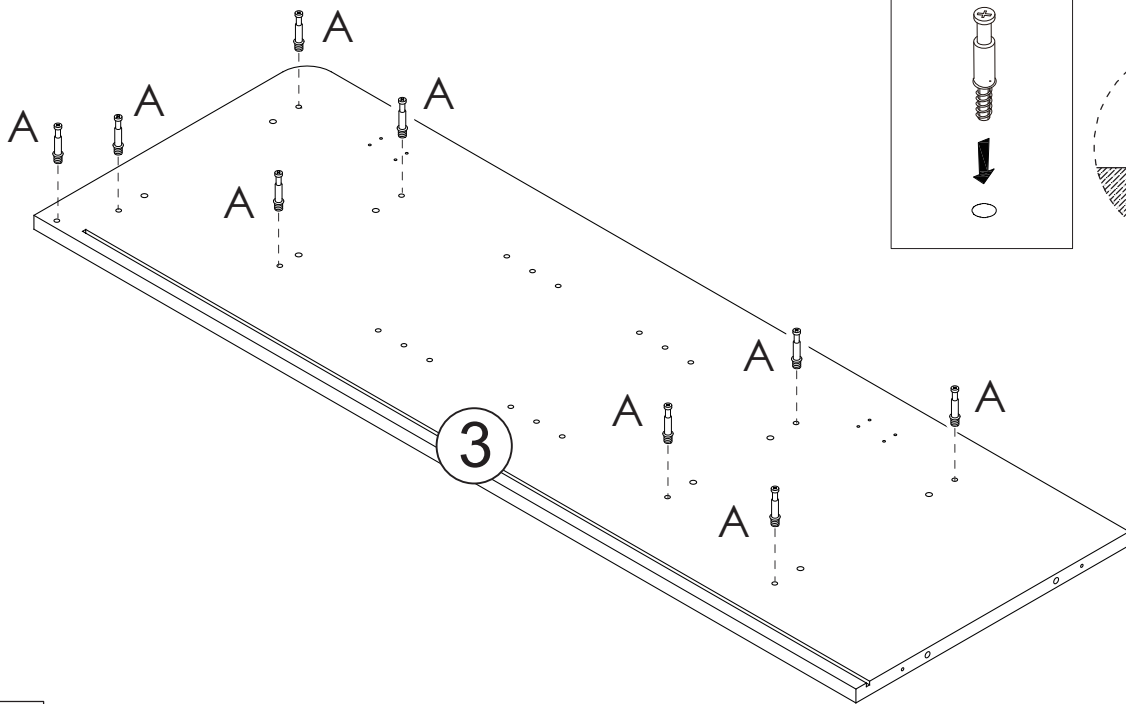
A	x22(+2)	B	x22(+2)	C	x22(+2)	D	x8(+1)	E	x4	
										
Φ6x35mm		Φ15x10mm		Φ6x30mm		Φ4x40mm		Φ3x12mm		
F	x2			G	x2	H	x4	I	x2	
		+								
55x40mm		Φ3x12mm		130*23mm		Φ4x18mm		38*13mm		
J	x12(+1)			K	x16(+3)	L	x4	M	x24(+2)	
										
		Φ3x16mm		Φ4x14mm		105x55mm		Φ4x14mm		
N	x2			O						x8
		+			+			+		
73*25mm		30*8mm		Ø4*14mm		Ø4*40mm		5x15mm		

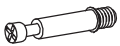
STEP 1



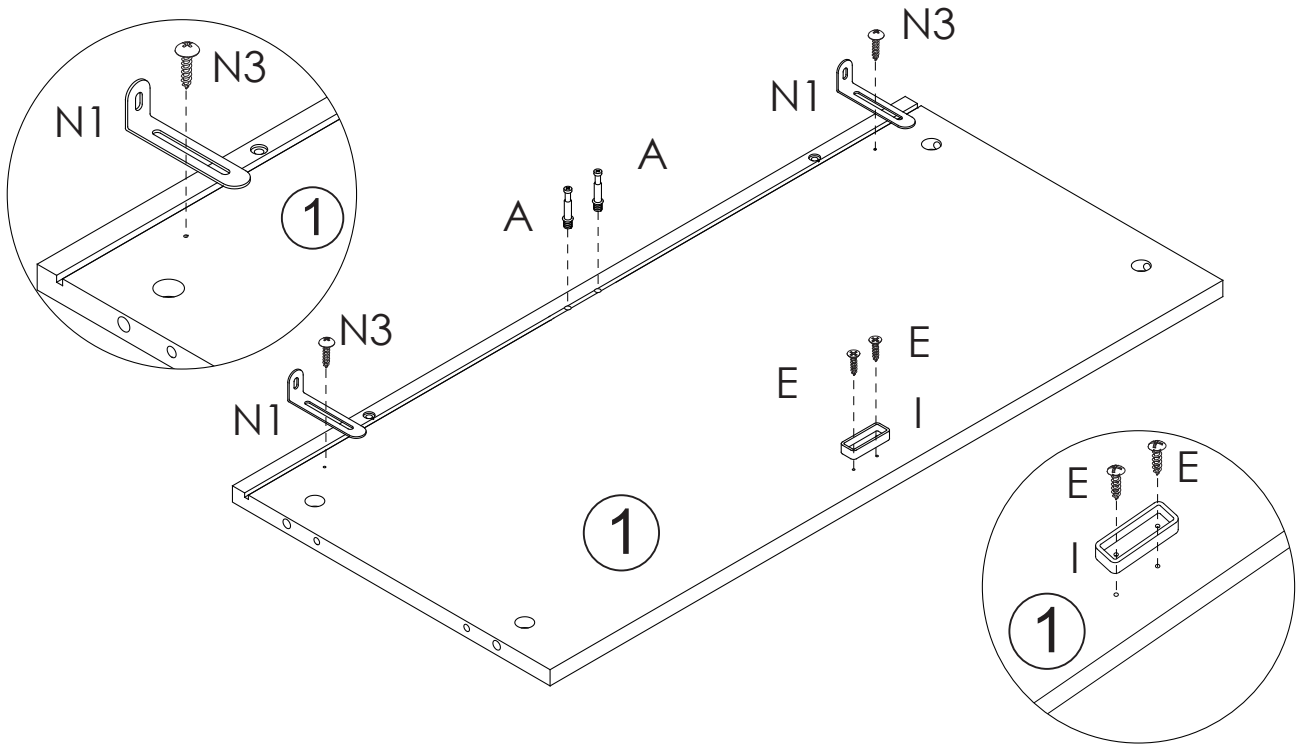
A	x9
	
Φ6x35mm	



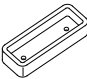
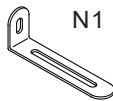

STEP 2



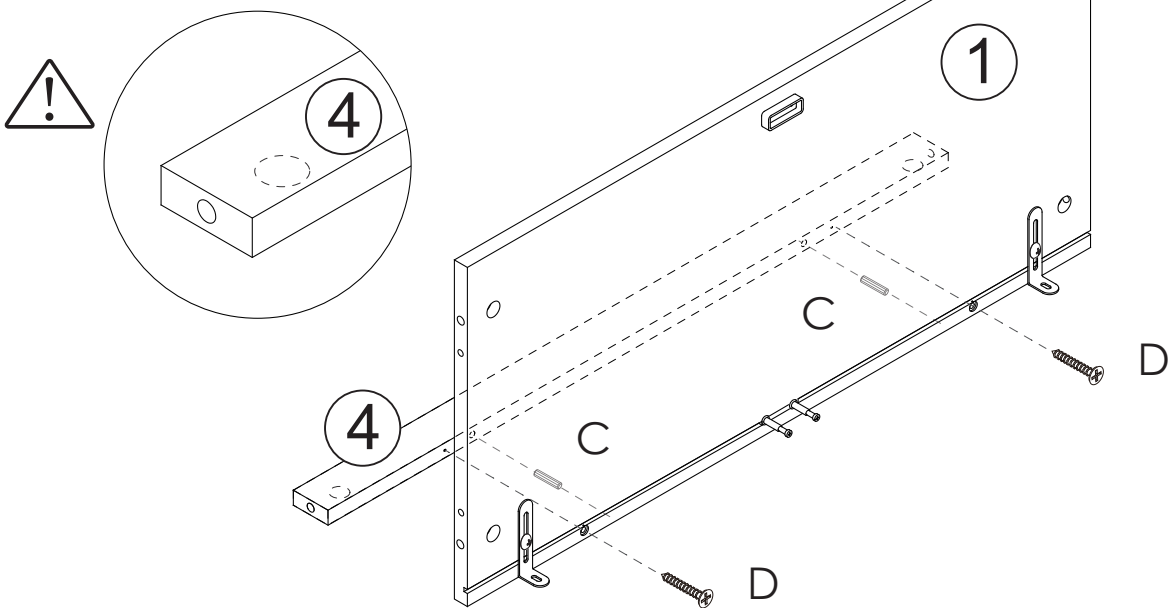
A	x9
	
Φ6x35mm	

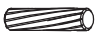

STEP 3



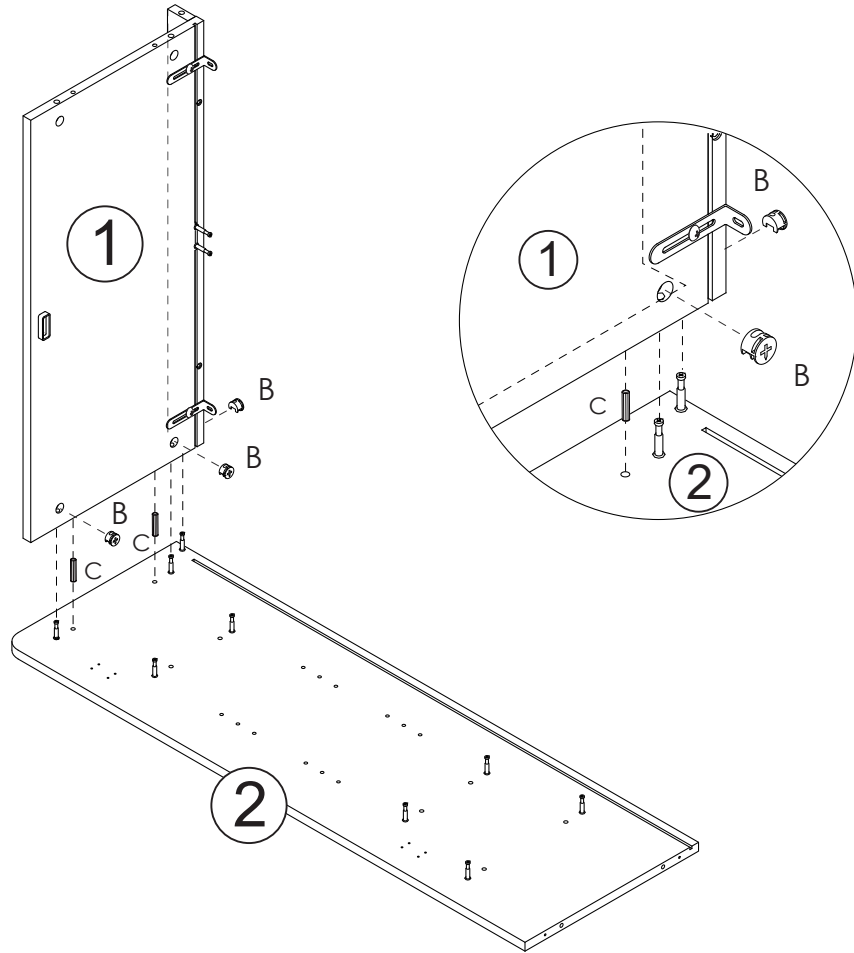
A	x2	E	x2	I	x1	N	x2
						 N1	 N3
Φ6x35mm		Φ3x12mm		38x13mm			Φ4x14mm

STEP 4



C	x2	D	x2
			
Φ6x30mm		Φ4x40mm	

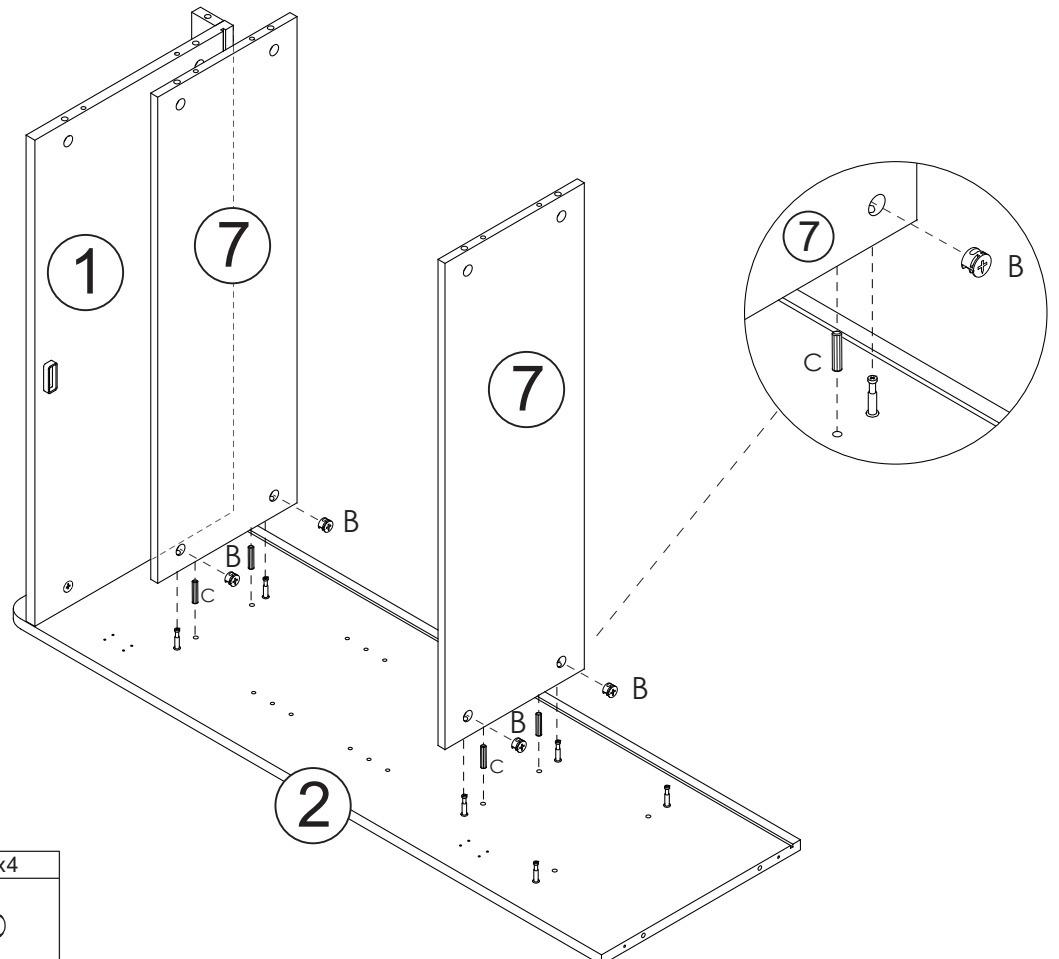
STEP 5



B	x3
$\Phi 15 \times 10 \text{mm}$	

C	x2
$\Phi 6 \times 30 \text{mm}$	

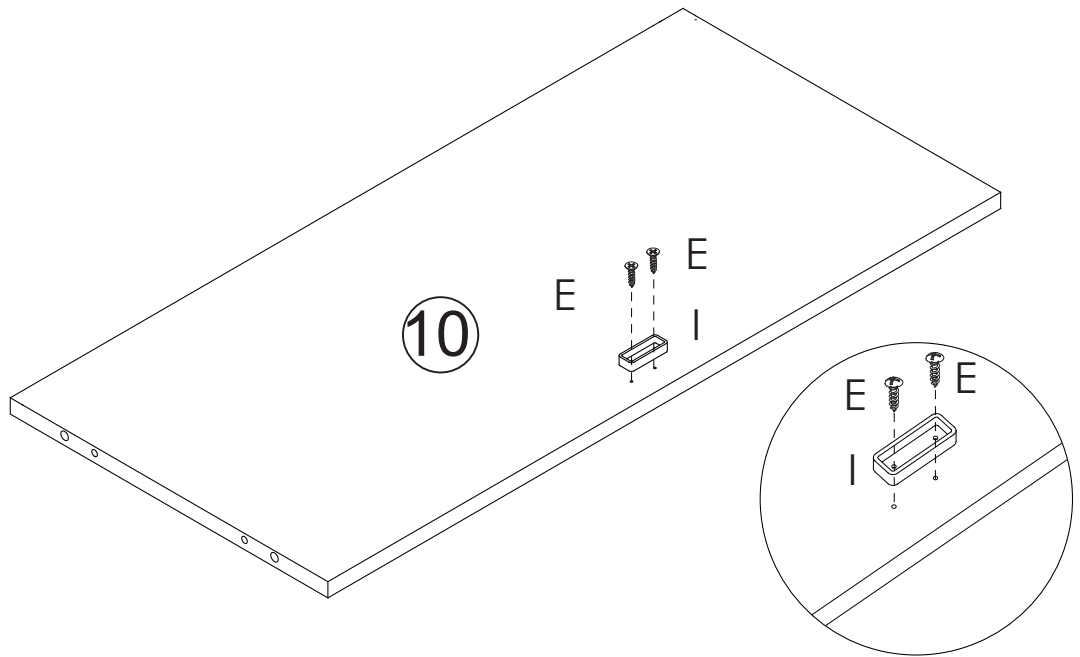
STEP 6




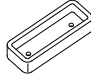
B	x4
$\Phi 15 \times 10 \text{mm}$	

C	x4
$\Phi 6 \times 30 \text{mm}$	

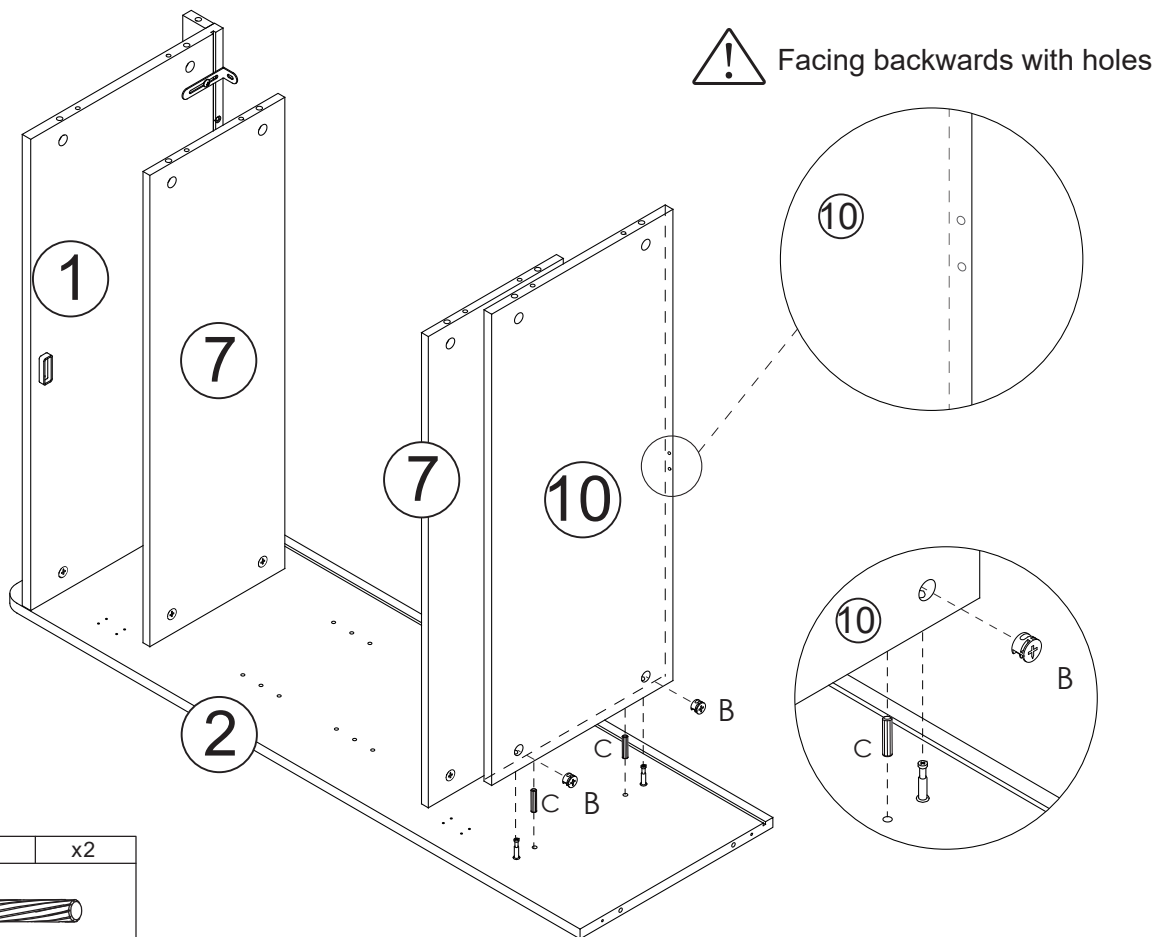
STEP 7





E	x2
	
$\Phi 3 \times 12 \text{mm}$	


I	x1
	
$38 \times 13 \text{mm}$	

STEP 8

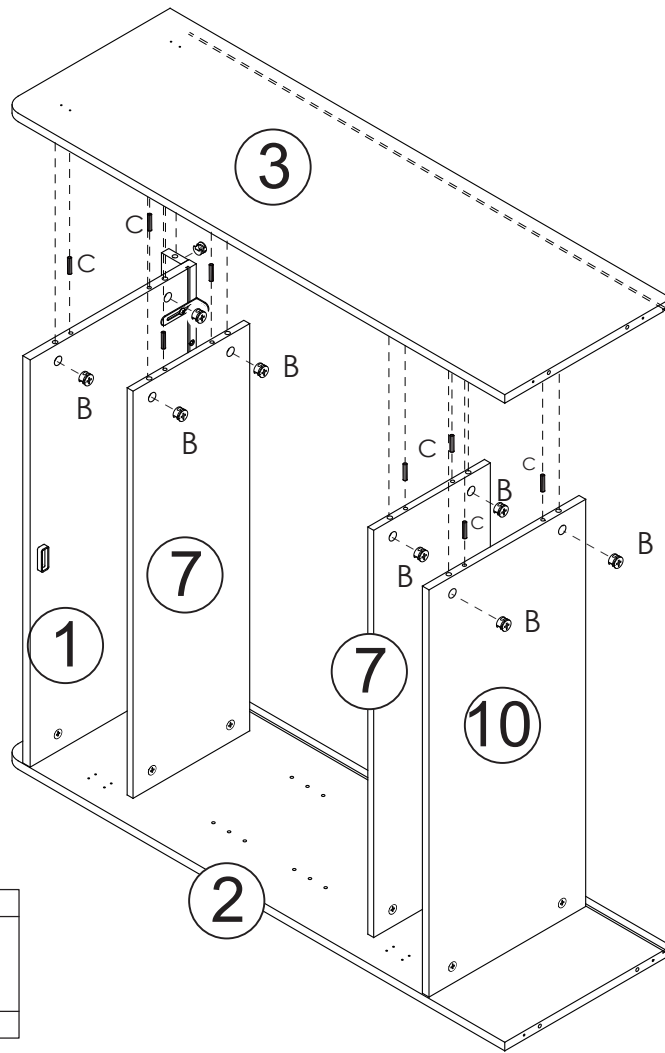



 Facing backwards with holes


B	x2
	
$\Phi 15 \times 10 \text{mm}$	

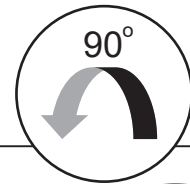
C	x2
	
$\Phi 6 \times 30 \text{mm}$	

STEP 9

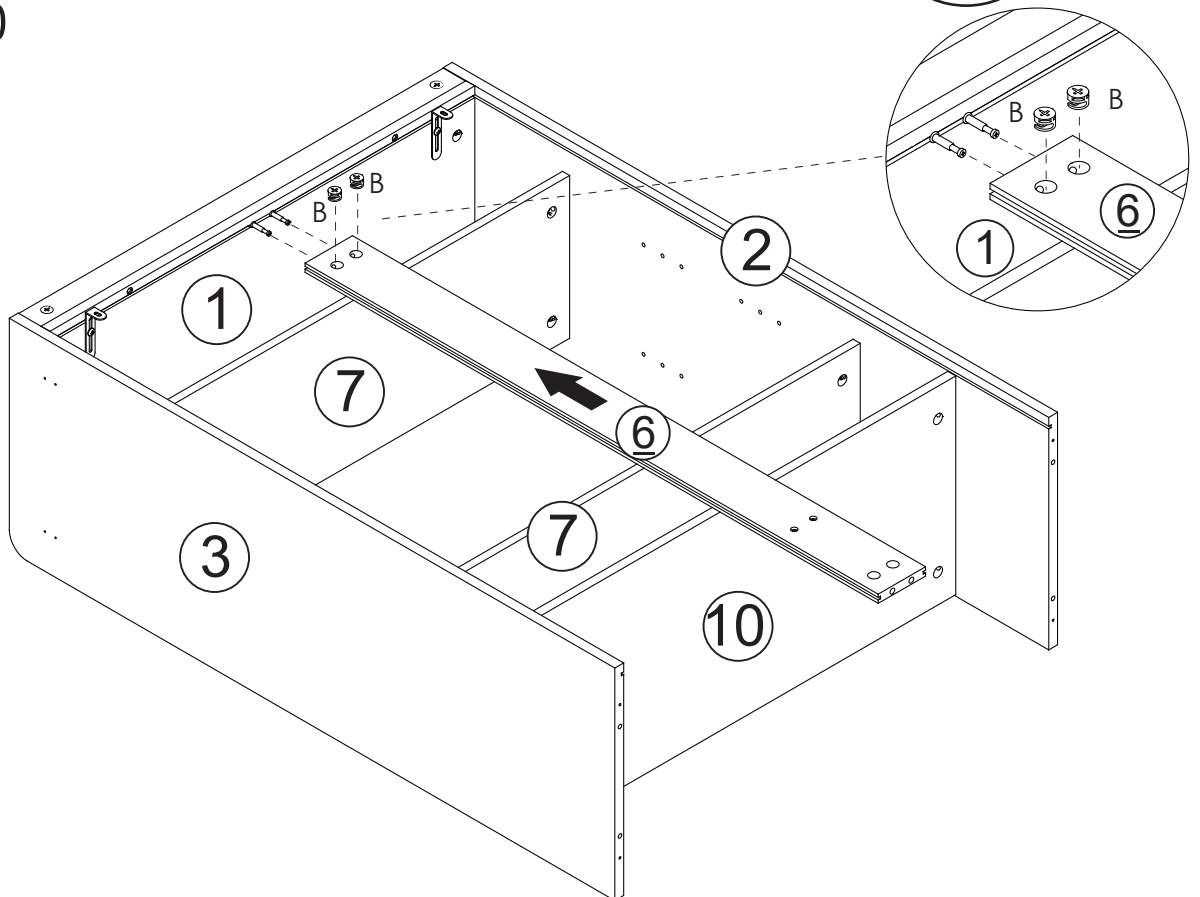



B	x9
	
Φ15x10mm	

C	x8
	
Φ6x30mm	

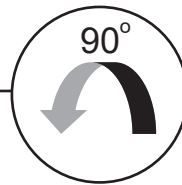
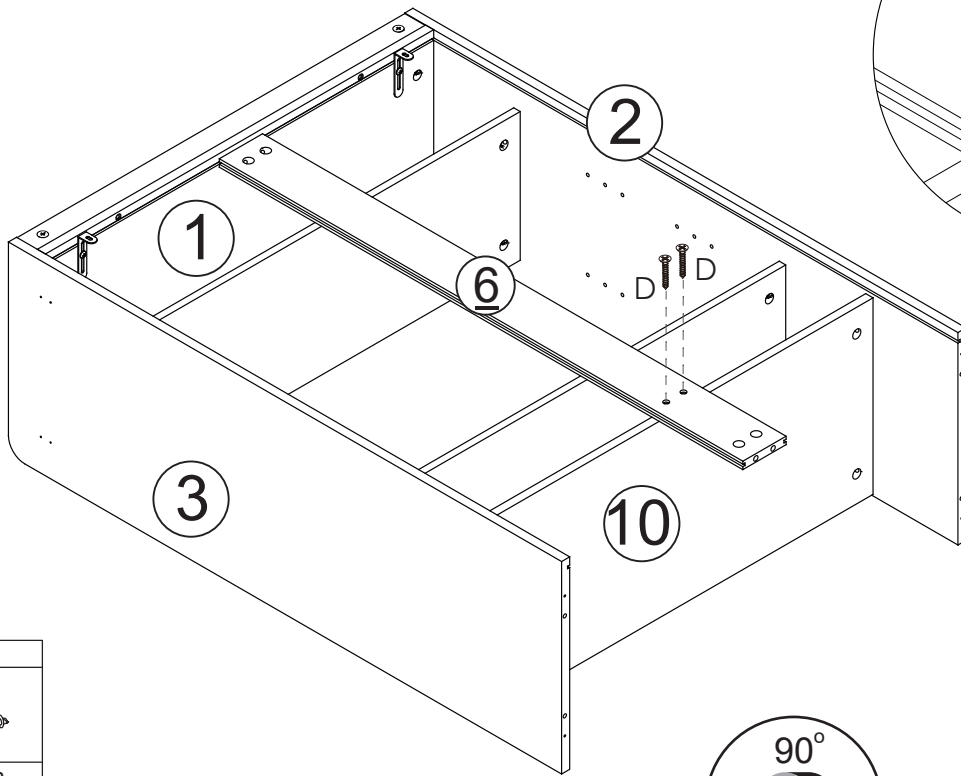


STEP 10

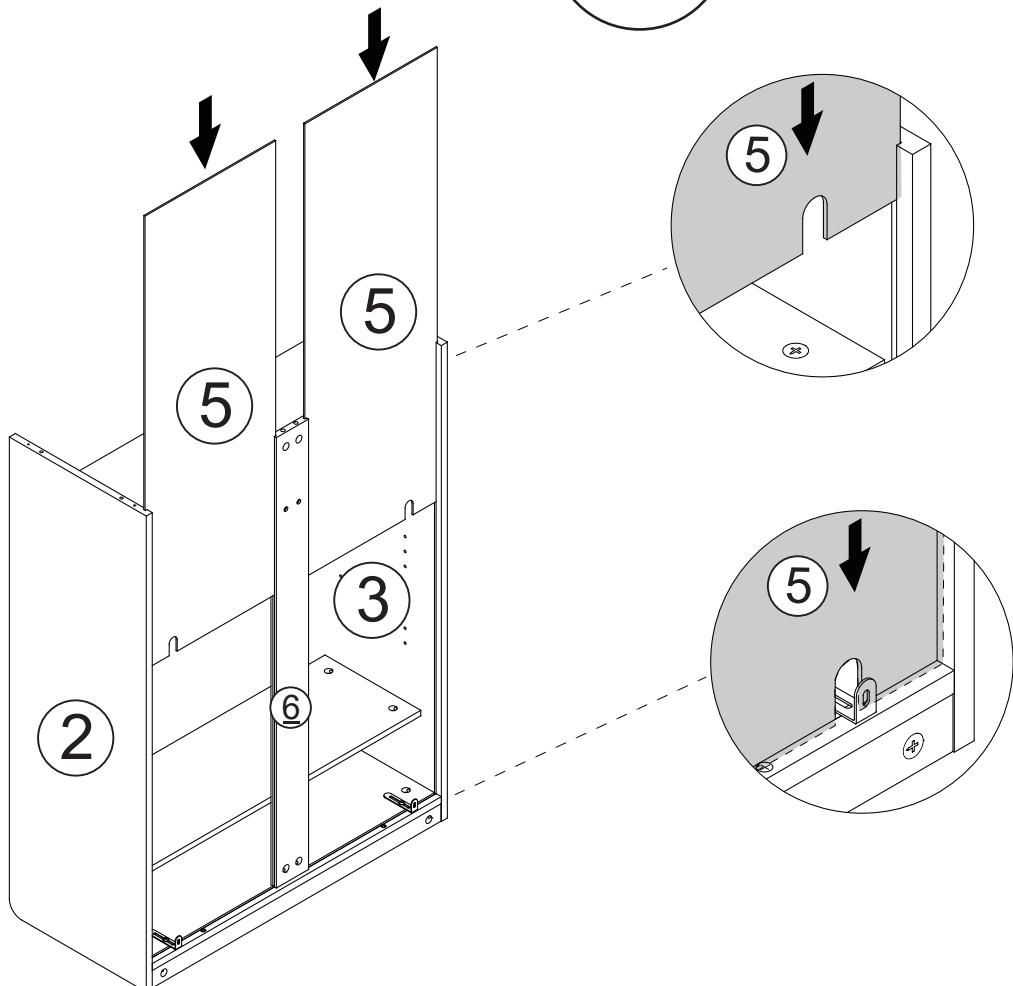


B	x2
	
Φ15x10mm	

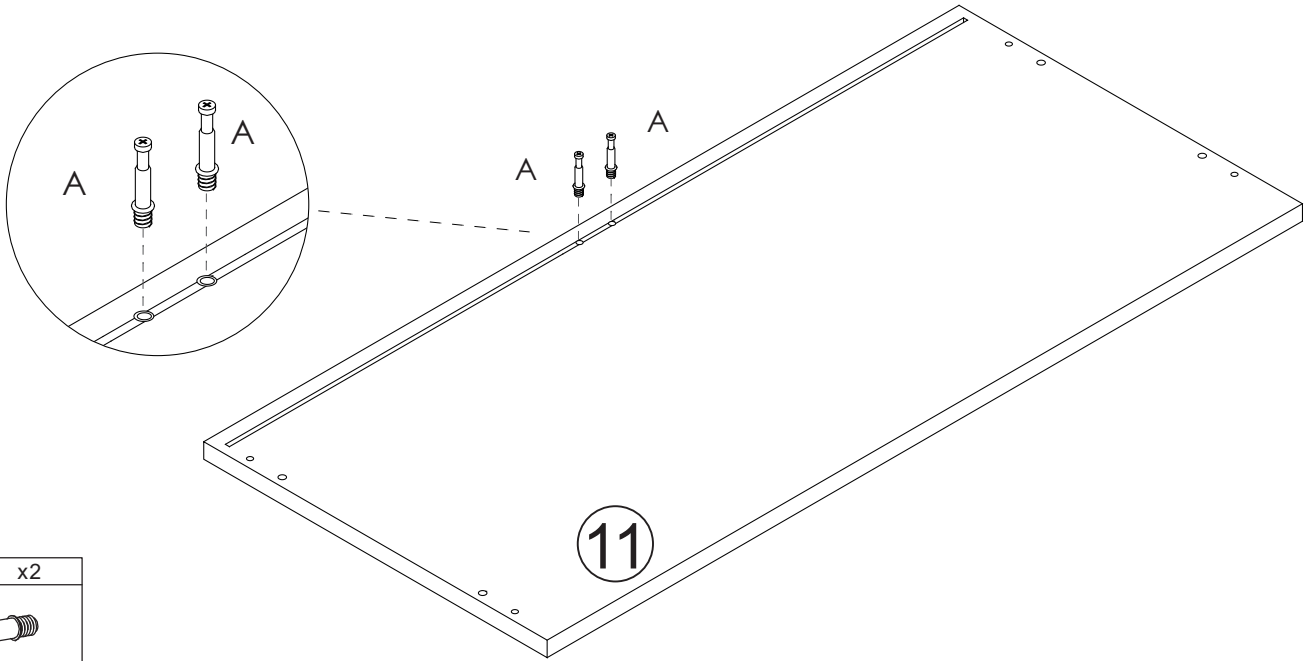
STEP 11

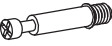


STEP 12

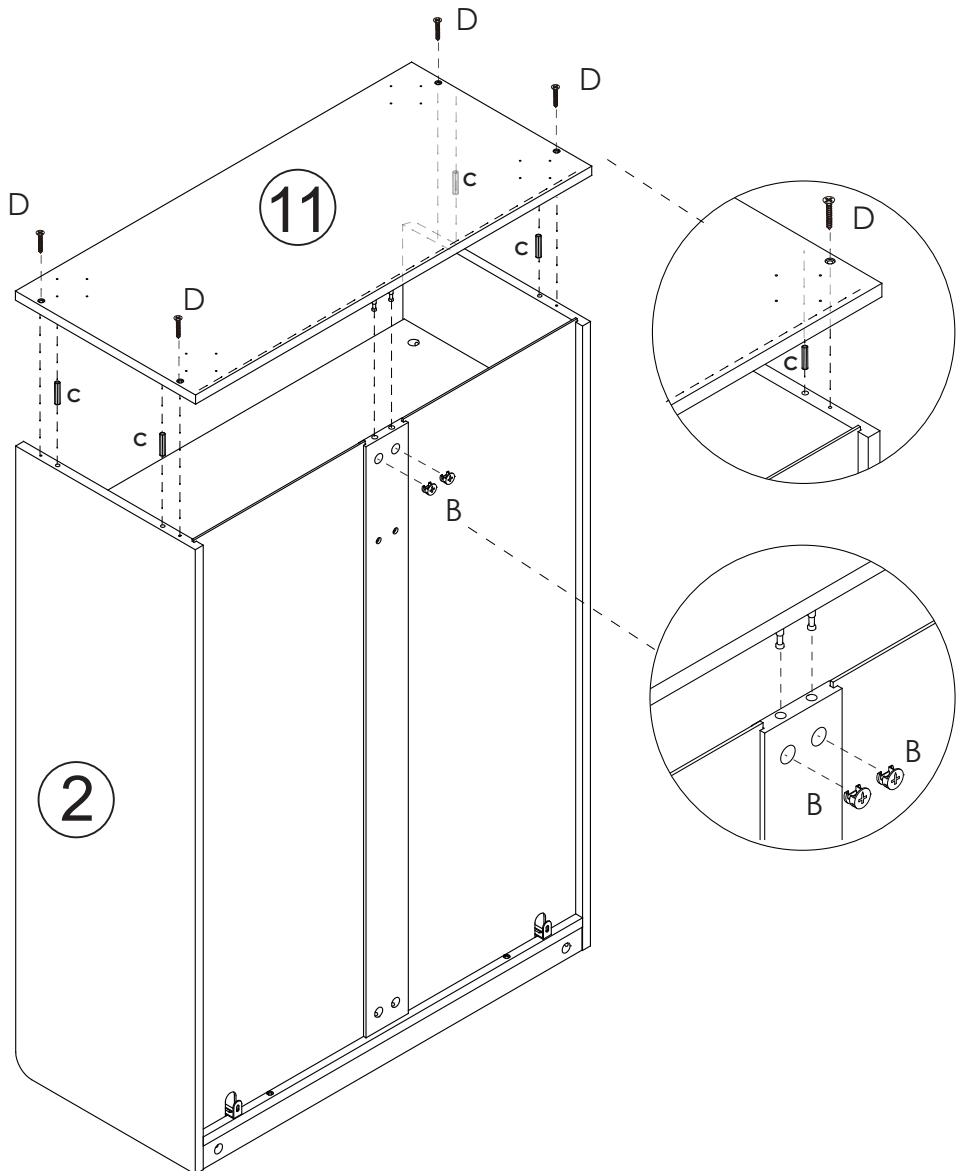



STEP 13





A	x2
	
$\Phi 6 \times 35 \text{mm}$	

STEP 14

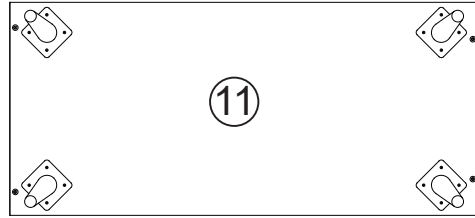


B	x2
	
$\Phi 15 \times 10 \text{mm}$	

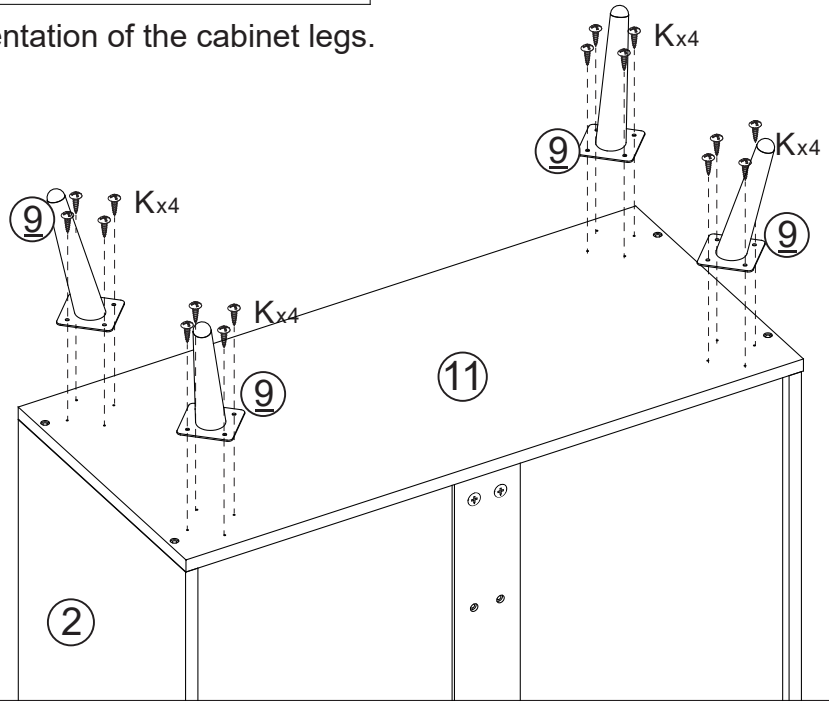
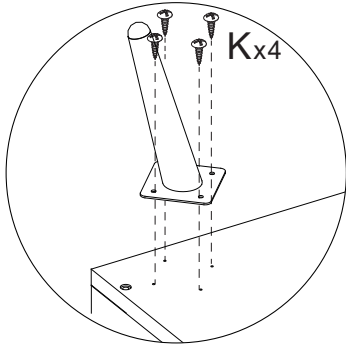
D	x4
	
$\Phi 4 \times 40 \text{mm}$	

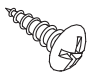
C	x4
	
$\Phi 6 \times 30 \text{mm}$	

STEP 15

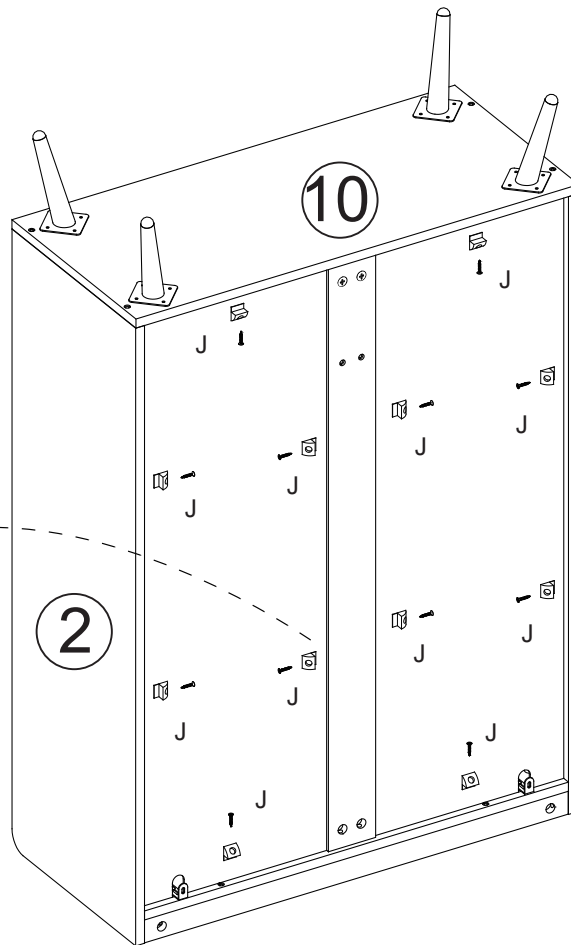
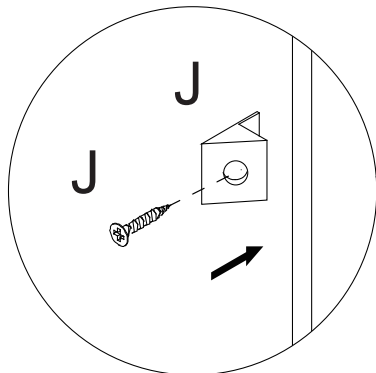




The orientation of the cabinet legs.



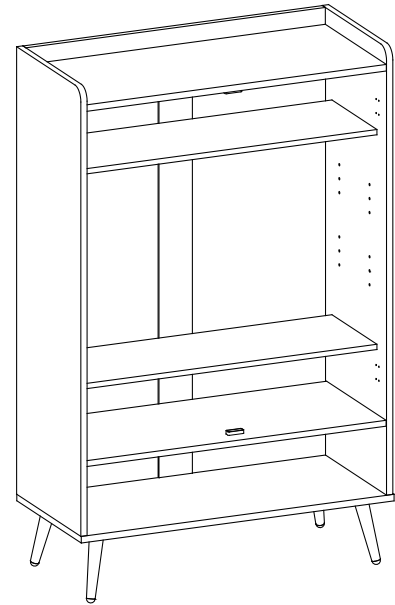
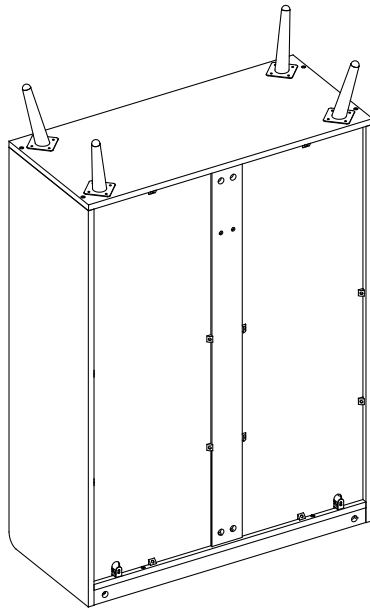
K	x16
	
$\Phi 4 \times 14 \text{mm}$	

STEP 16



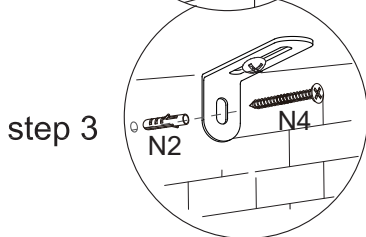
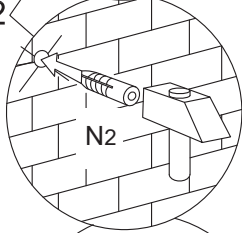
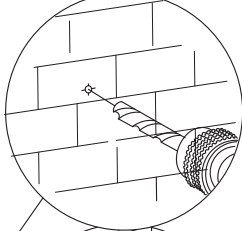
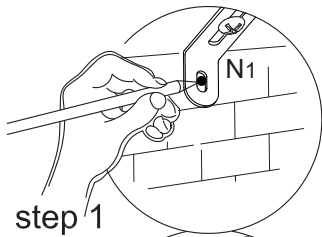
J	x12
 + 	
$\Phi 3 \times 16 \text{mm}$	

STEP 17

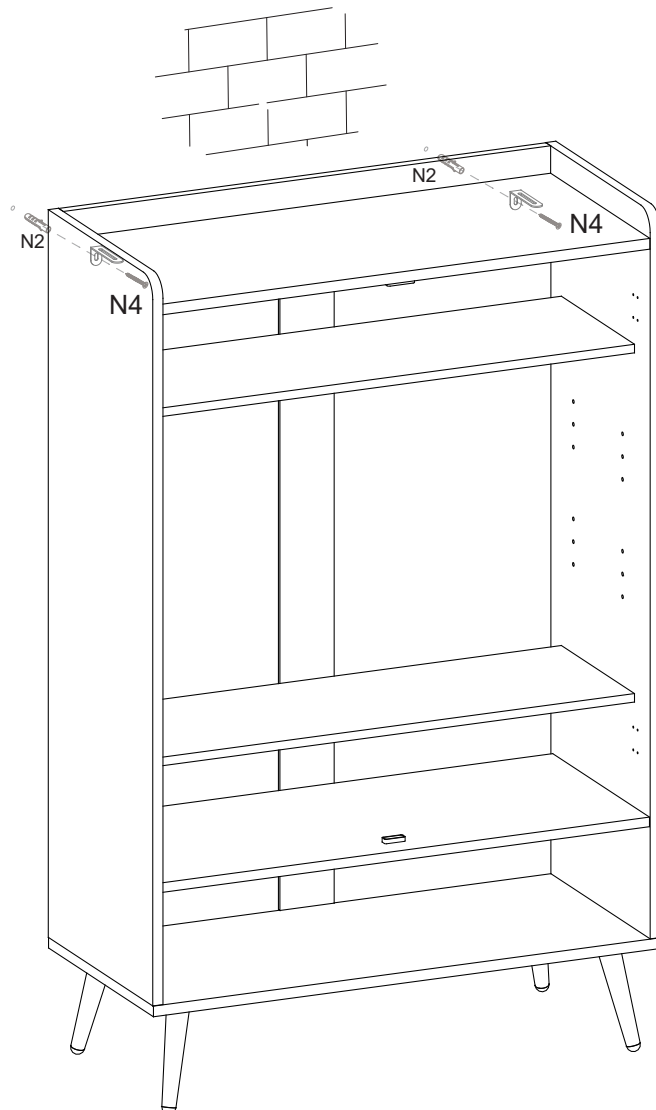


STEP 18

Mark on the wall using holes

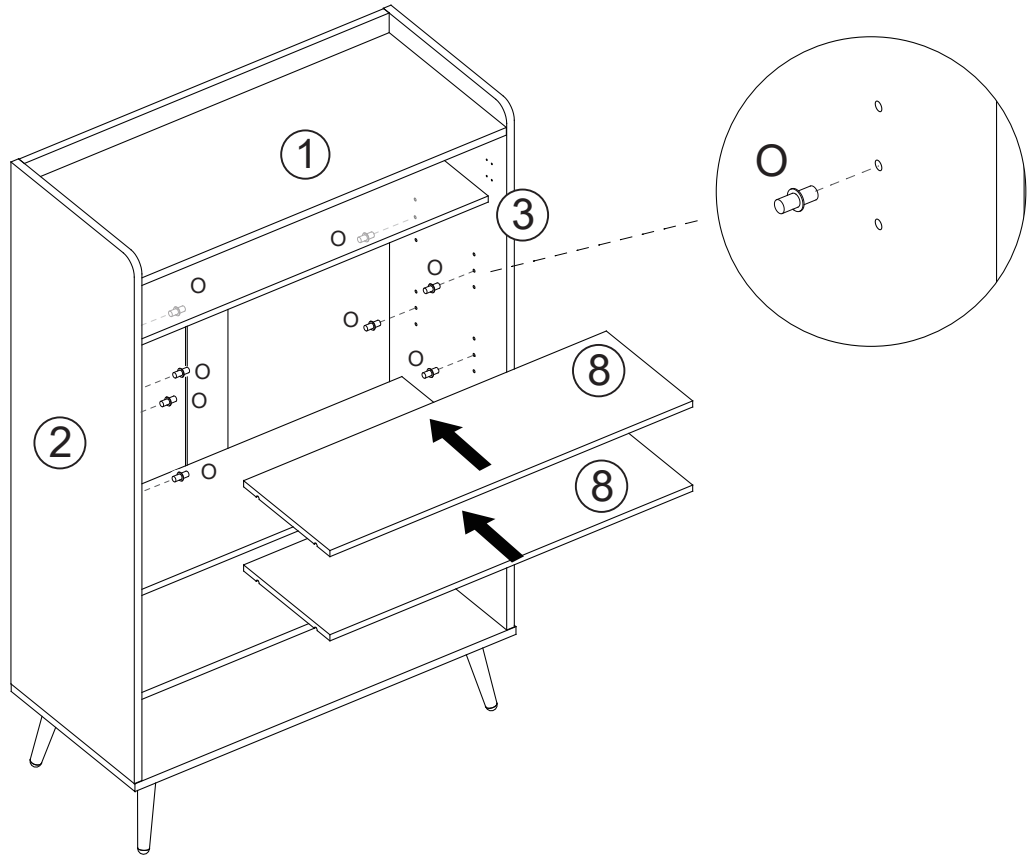


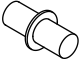
WALL



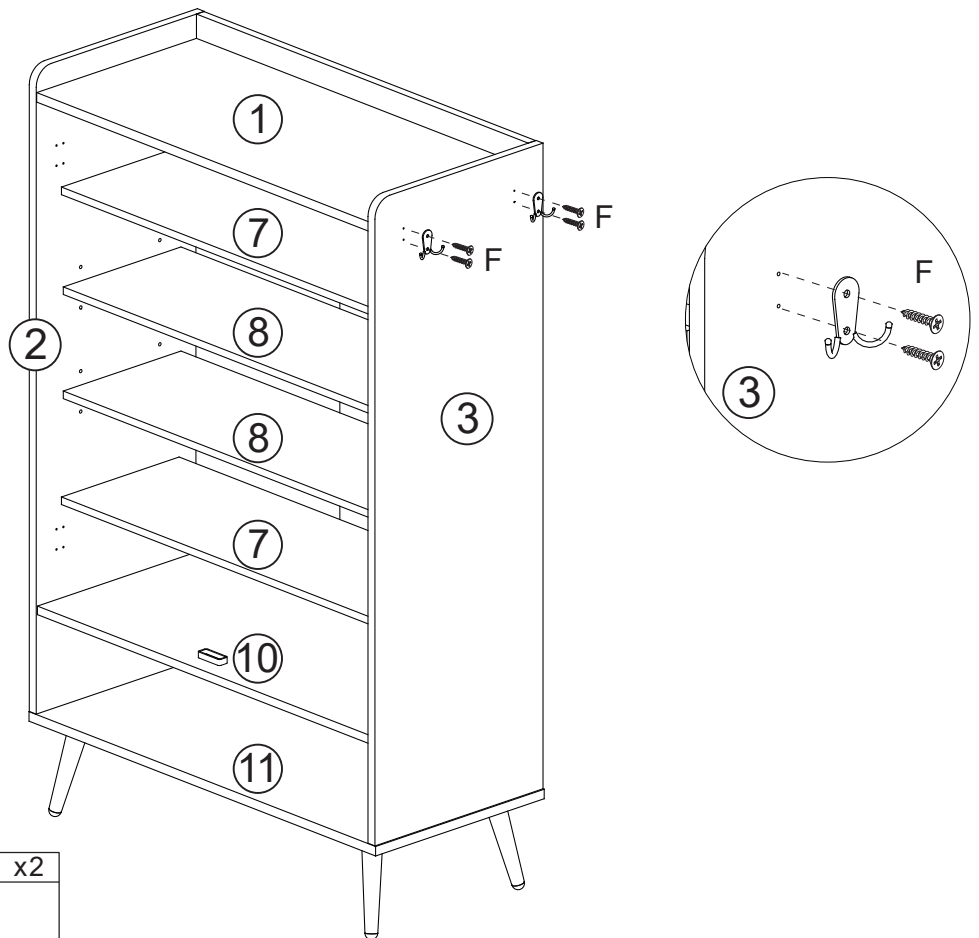
N	x 2
N2	N4
30*8mm	Ø4*40mm

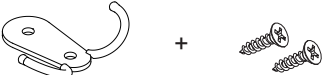
STEP 19



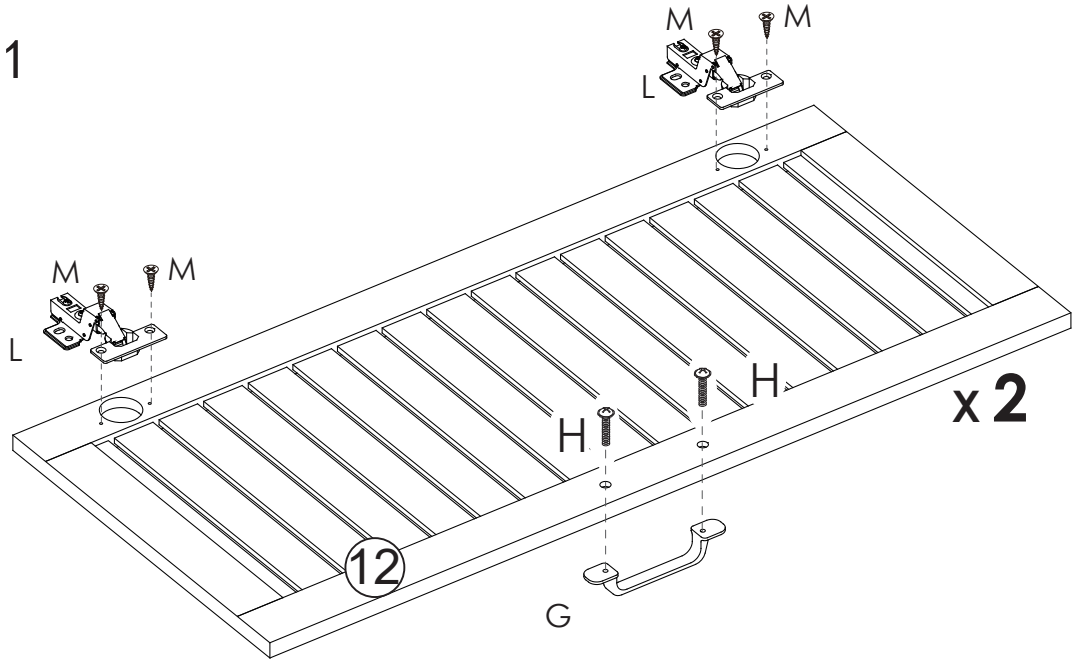
O	x8
	
5x16mm	

STEP 20



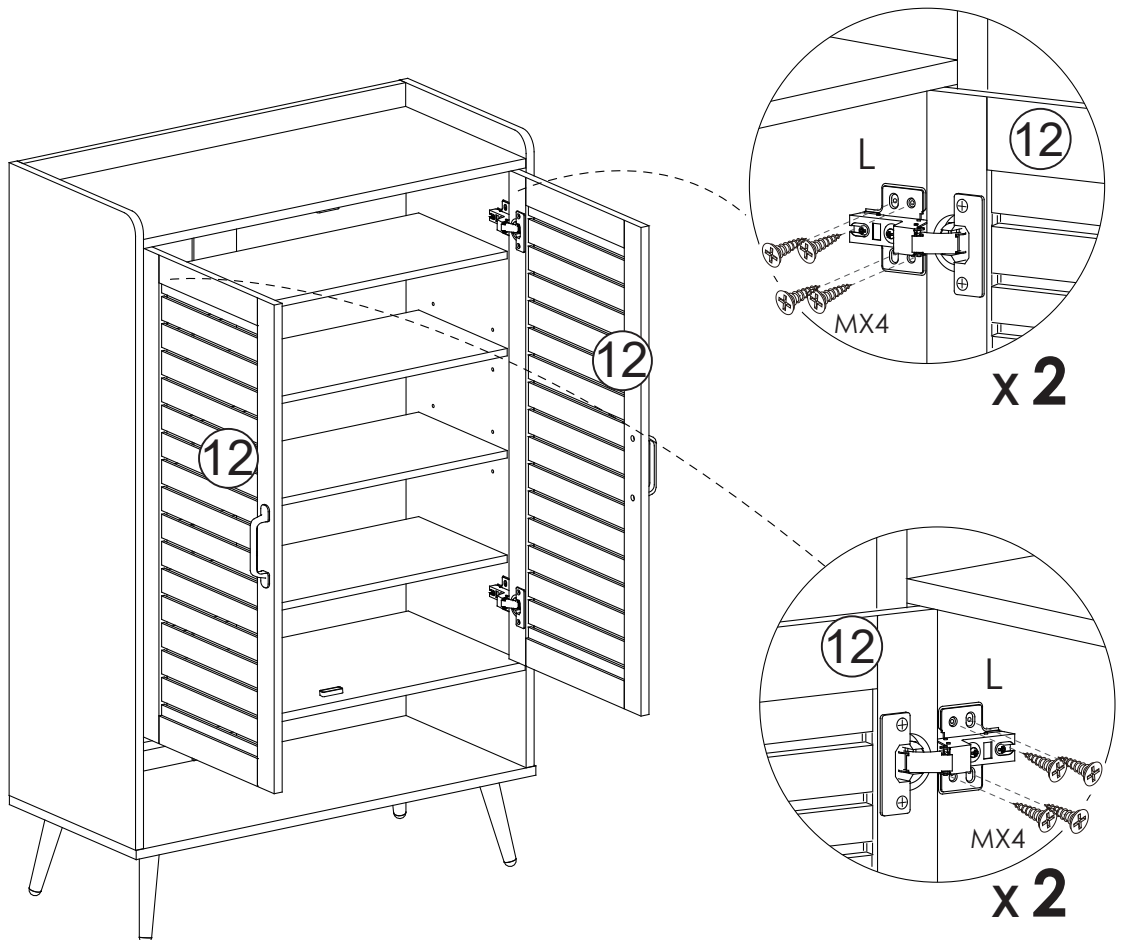
F	x2
	
55x40mm Φ3x12mm	

STEP 21



L	x4	M	x8	G	x2	H	x4
105x55mm		Φ4x14mm		130*23mm		Φ4x18mm	

STEP 22

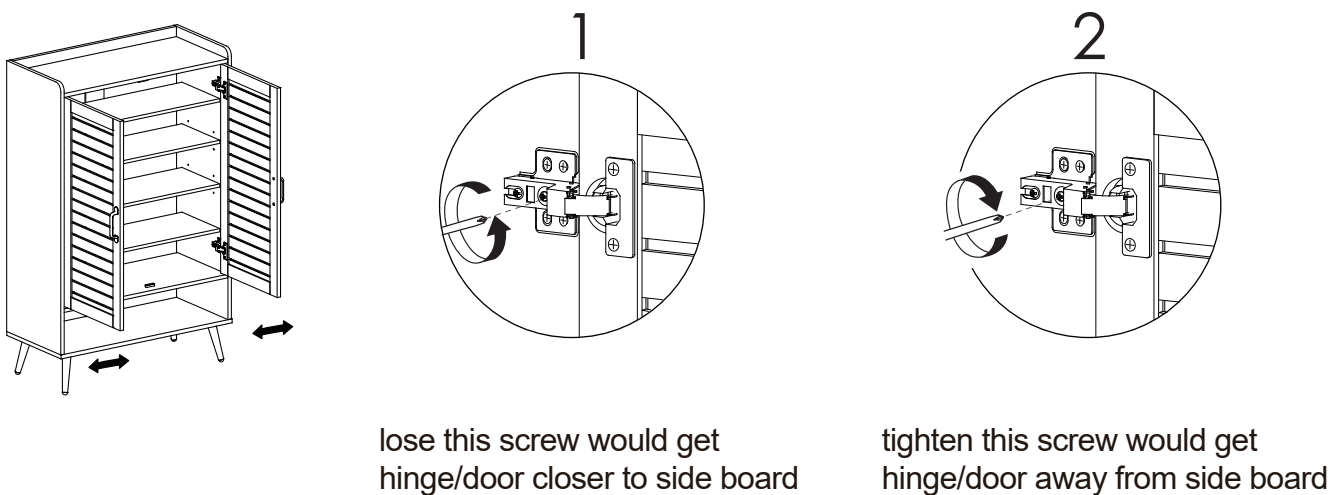
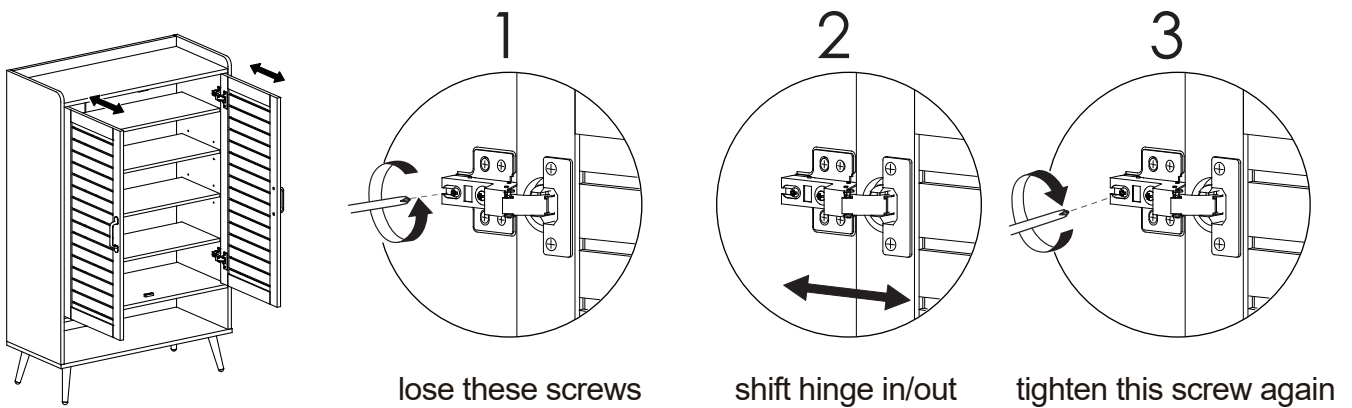
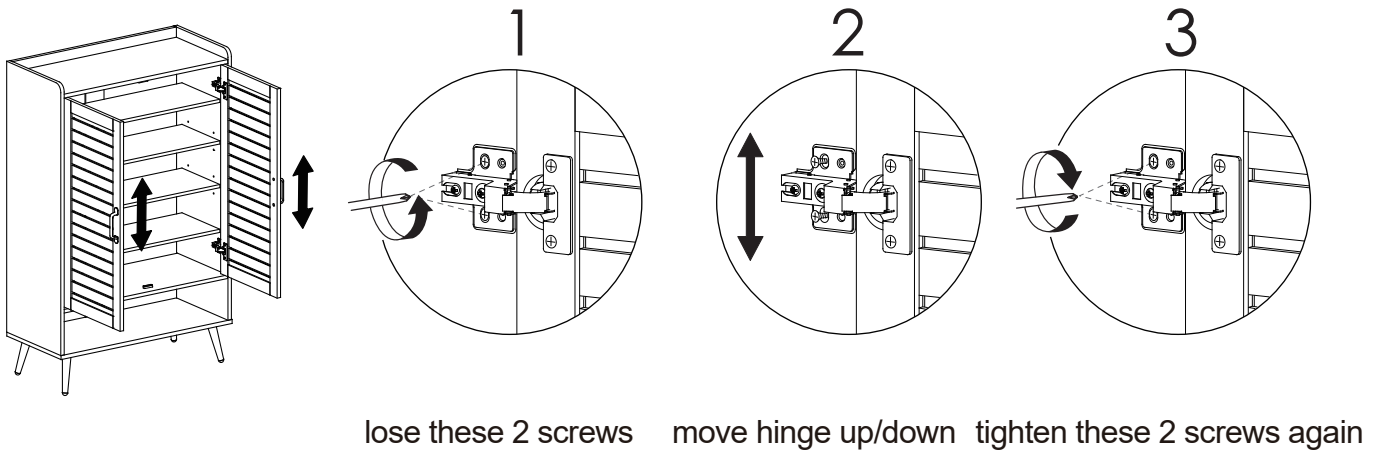


M	x16
Φ4x14mm	

STEP 23



NOTE :If you notice that the cabinet doors are not properly aligned, such as significant gaps or vertical or horizontal misalignment, please adhere to the following adjustment instructions.



STEP 24

