

NOTICE

- * Please make sure that you have all parts indicated and they are in good condition before you begin assembly of this item. Refer to part list and hardware list below for guidance.
- * This item should be assembled on a soft surface to prevent scratching the finish during assembly.
- * This item may require periodic tightening.
- * If you are having difficulty, our friendly Customer Care team is always here to help.











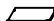


PREPARATION

- * Before beginning assembly of product, make sure all parts are present. Compare parts with part contents list and hardware contents list.
- * If any part is missing or damaged, do not attempt to assemble the product.
- * Estimated Assembly Time: 30 minutes.
- * Tools Required for Assembly (not included): Phillips screwdriver

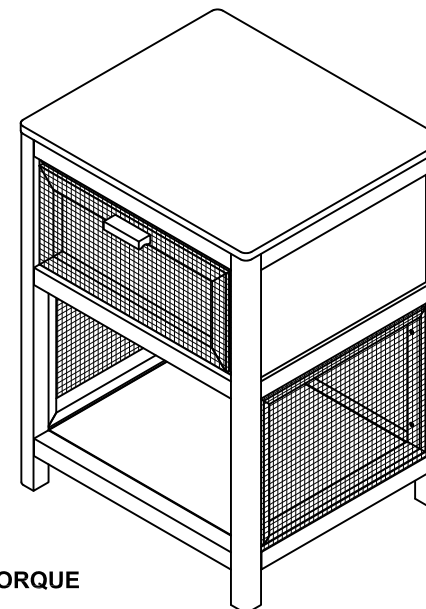
CARE AND MAINTENANCE

Adhesive felt pads should always be applied to areas of furniture which make direct contact with flooring, said application will prevent damage to the furniture and or surfaces on which the furniture lies. Objects placed on articles of furniture should rest on non abrasive material as to prevent damage to the wood finish. Wipe up spills immediately and avoid common hazards such as hot dishes, harsh solvents and abrasives. Cleaning should be done with a soft lint free cotton cloth dampened with water or furniture polish.

Part List and Hardware List



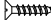


PIECE	DESCRIPTION	PICTURE	QUANTITY
A	TOP PANEL		1X
B	LEFT ASSEMBLY		1X
C	RIGHT ASSEMBLY		1X
D	TOP FRONT RAIL		1X
E	TOP BACK RAIL		1X
F	FRONT RAIL		1X
G	BOTTOM ASSEMBLY		1X
H	BACK PANEL		1X
I	DRAWER FRONT		1X
J	DRAWER LEFT		1X
K	DRAWER RIGHT		1X
L	DRAWER BACK		1X
M	DRAWER BASE		1X

Product Dimensions: 18"W x 15 3/4"D x 24 1/2"H



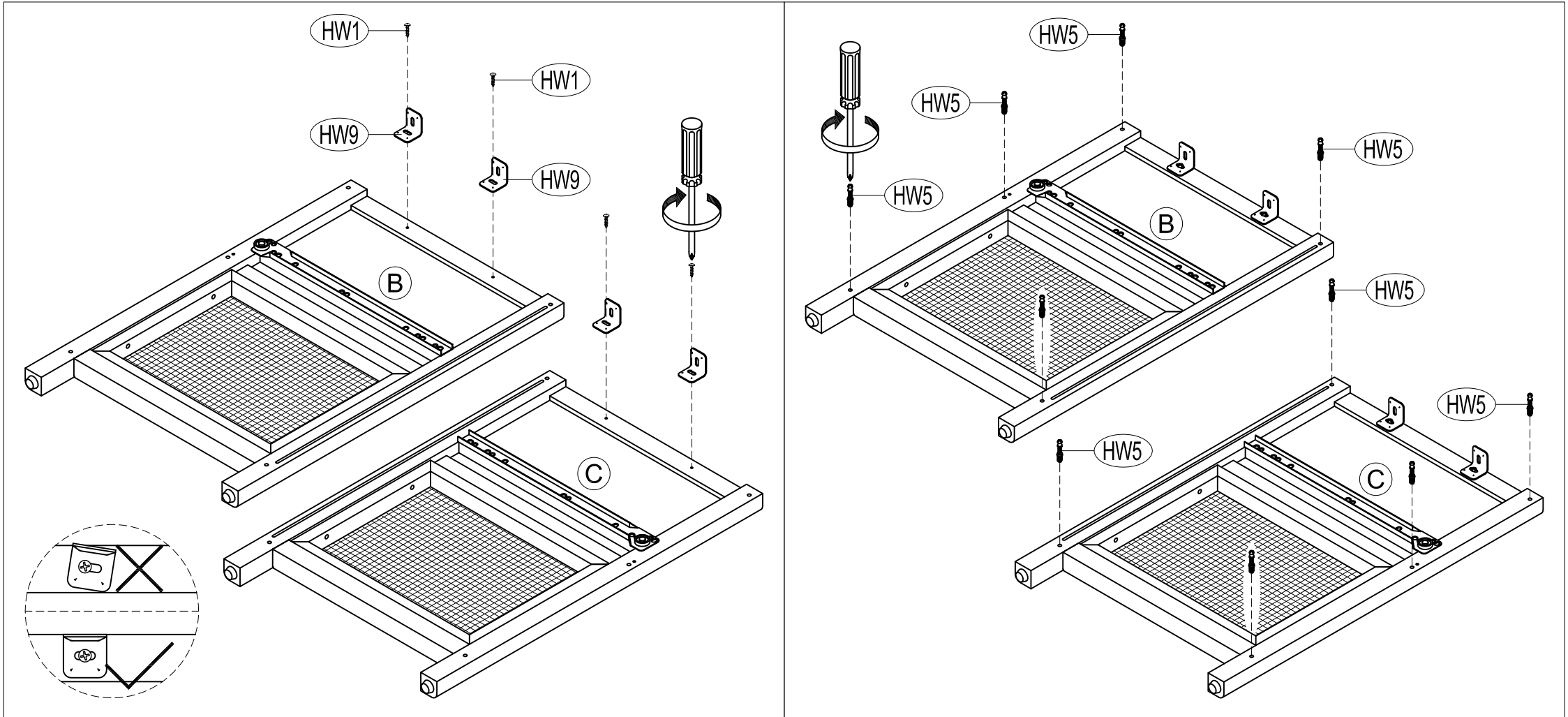
WEIGHT CAPACITY:
TOP: 50 LBS
DRAWER: 15 LBS

**WARNING: DO NOT OVER TORQUE
BOLTS/SCREWS**

PIECE	DESCRIPTION	PICTURE	QUANTITY
HW1	1/2" ROUND HEAD SCREW	M4x13mm 	8X
HW2	1 1/4" FLAT HEAD SCREW	M3x32mm 	8X
HW3	3/4" FLAT HEAD SCREW	M3x19mm 	2X
HW4	5/8" FLAT HEAD SCREW	M3x16mm 	4X
HW5	CAMBOLT	Ø8x32mm 	10X
HW6	CAMLOCK	Ø15x10mm 	10X
HW7	HANDLE BOLT	M4x30mm 	2X
HW8	HANDLE		1X
HW9	CORNER PLATE		4X
HW10	PIN		2X
HW11	WEDGE	14x14x10mm 	4X

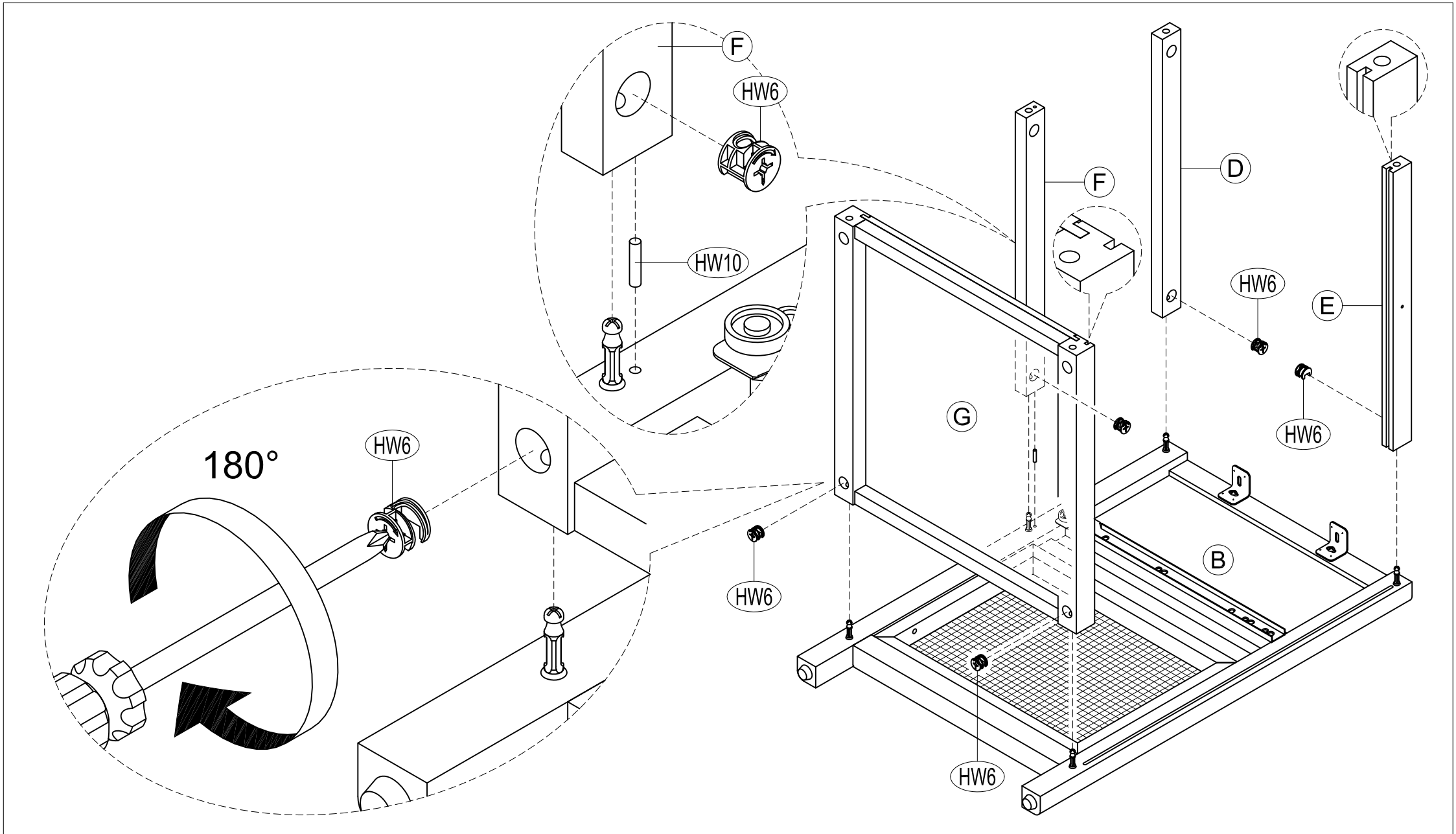
PREPARATION

- * Before beginning assembly of product, make sure all parts are present. Compare parts with package contents list and hardware contents list.
- * If any part is missing or damaged, do not attempt to assemble the product.
- * Estimated Assembly Time: 30 minutes.
- * Tools Required for Assembly (not included): Phillips screwdriver
- * If you are having difficulty, our friendly Customer Care team is always here to help.

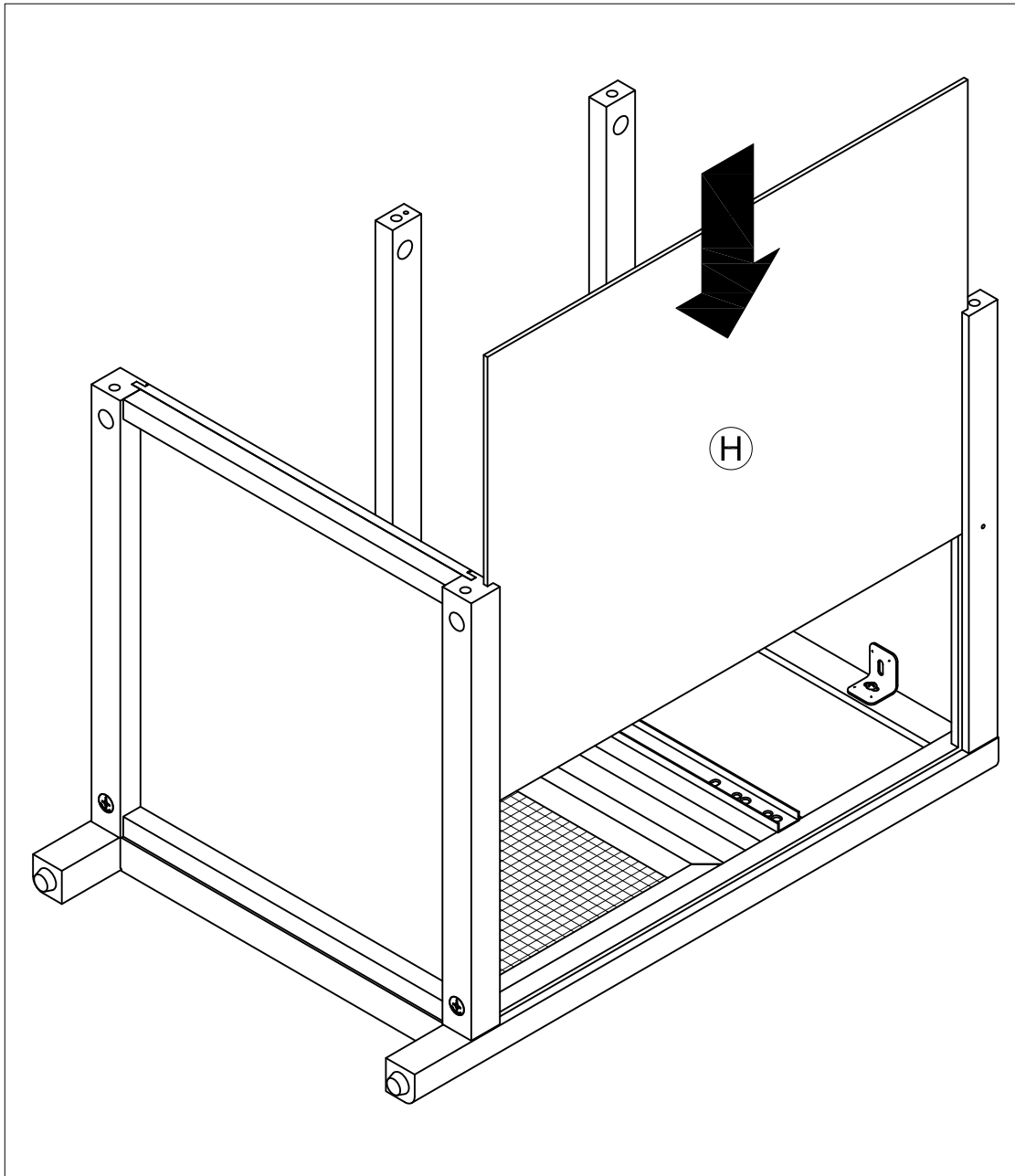


STEP 1 ATTACH CORNER PLATES (HW9) TO LEFT AND RIGHT ASSEMBLIES (B AND C) USING 1/2" ROUND HEAD SCREWS (HW1).

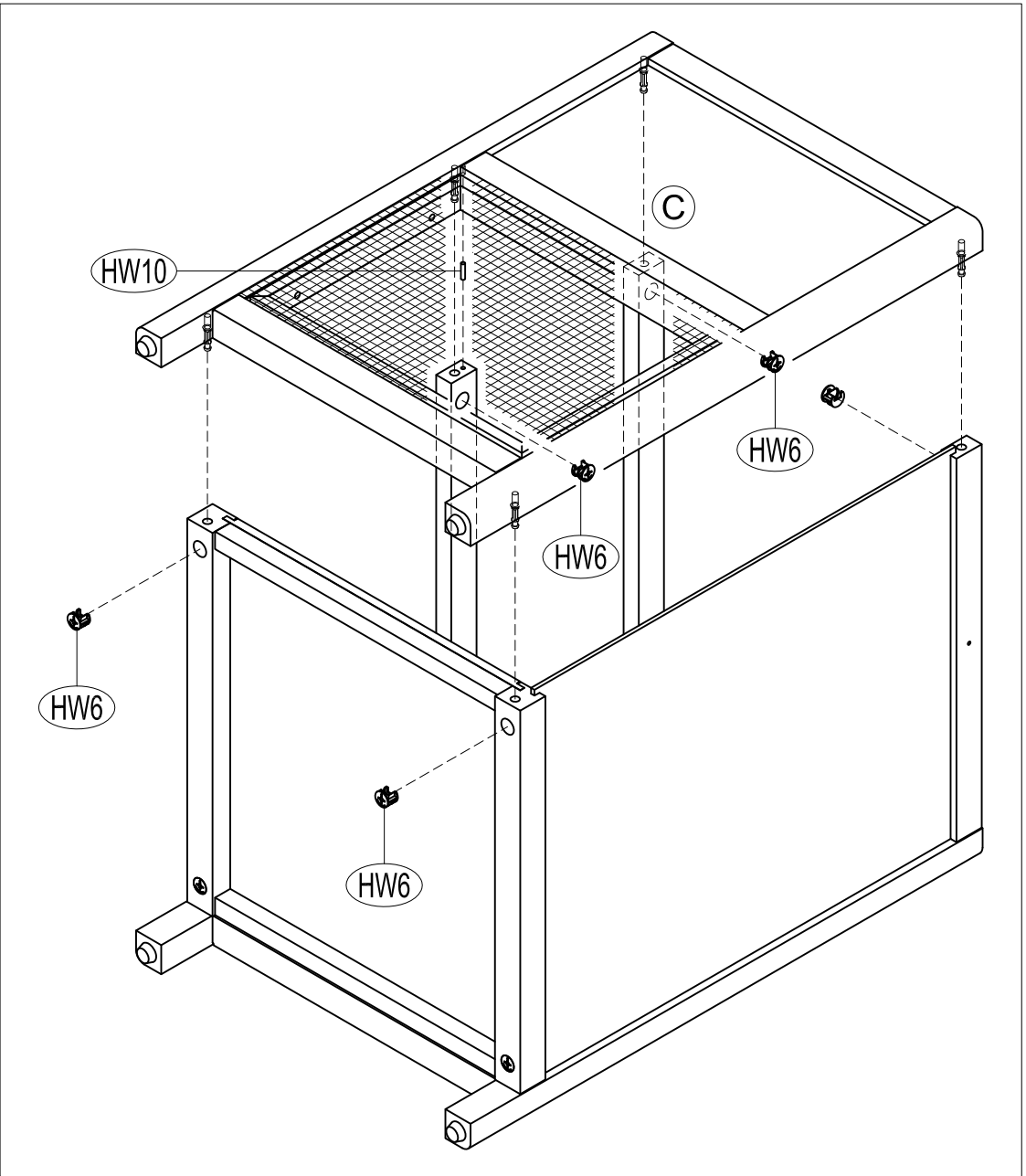
STEP 2 ATTACH CAMBOLTS (HW5) TO LEFT AND RIGHT ASSEMBLIES (B AND C).



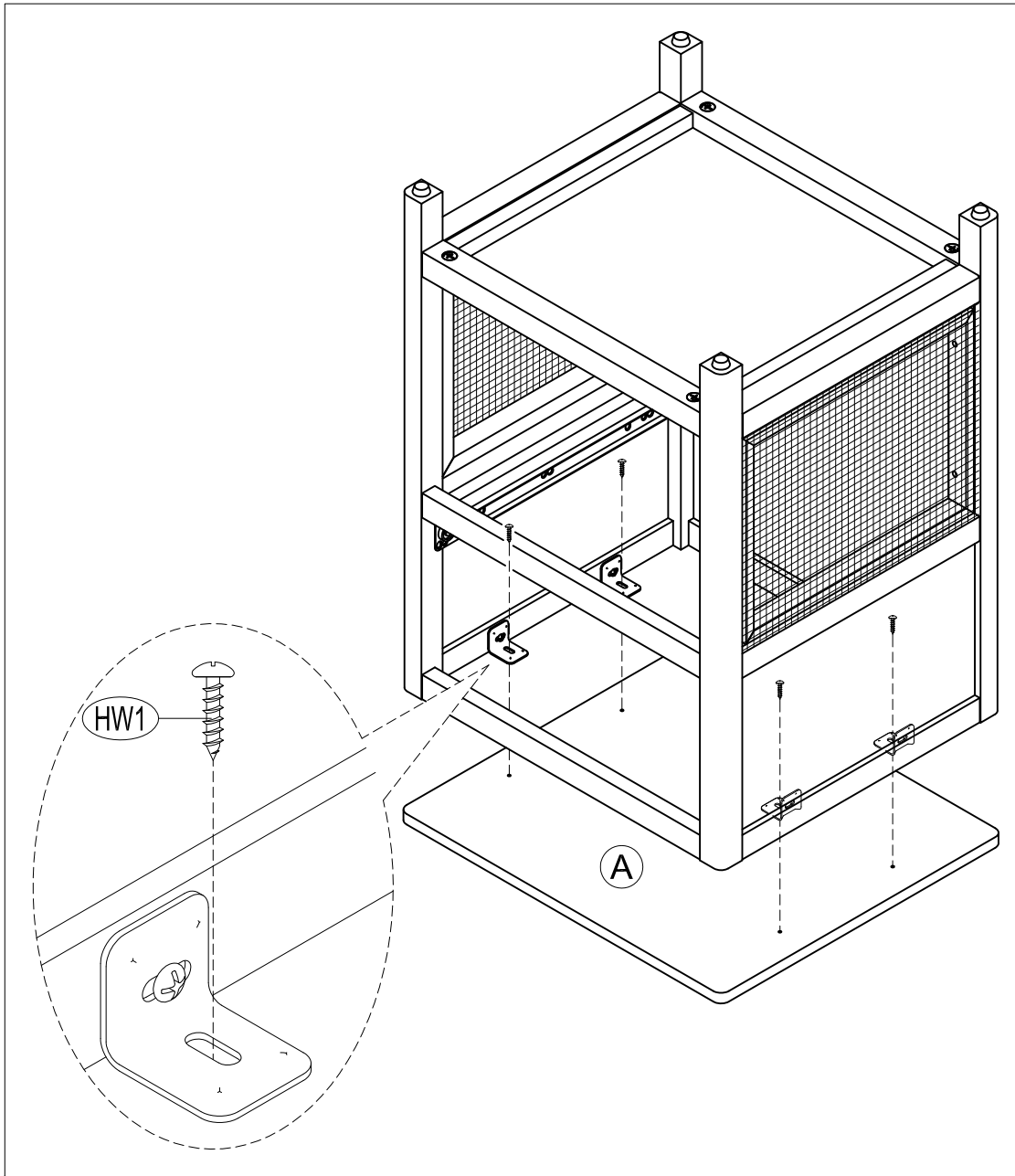
STEP 3 ATTACH TOP FRONT AND TOP BACK RAILS (D AND E) AND BOTTOM ASSEMBLY (G) TO LEFT ASSEMBLY (B) USING CAMLOCKS (HW6); ATTACH FRONT RAIL (F) TO LEFT ASSEMBLY (B) USING CAMLOCK (HW6) AND PIN (HW10).



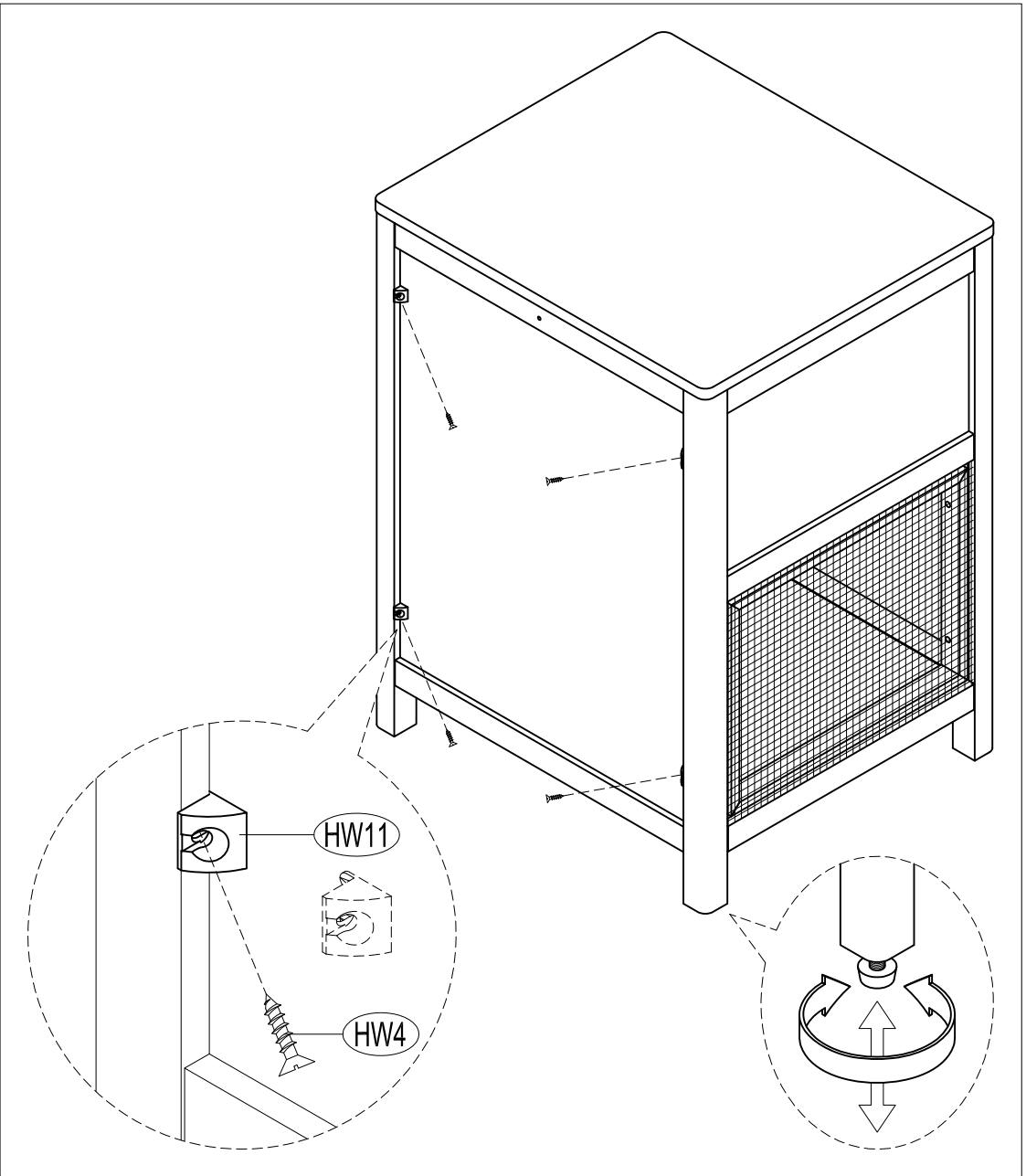
STEP 4 SLIDE BACK PANEL (H) INTO THE GROOVE.



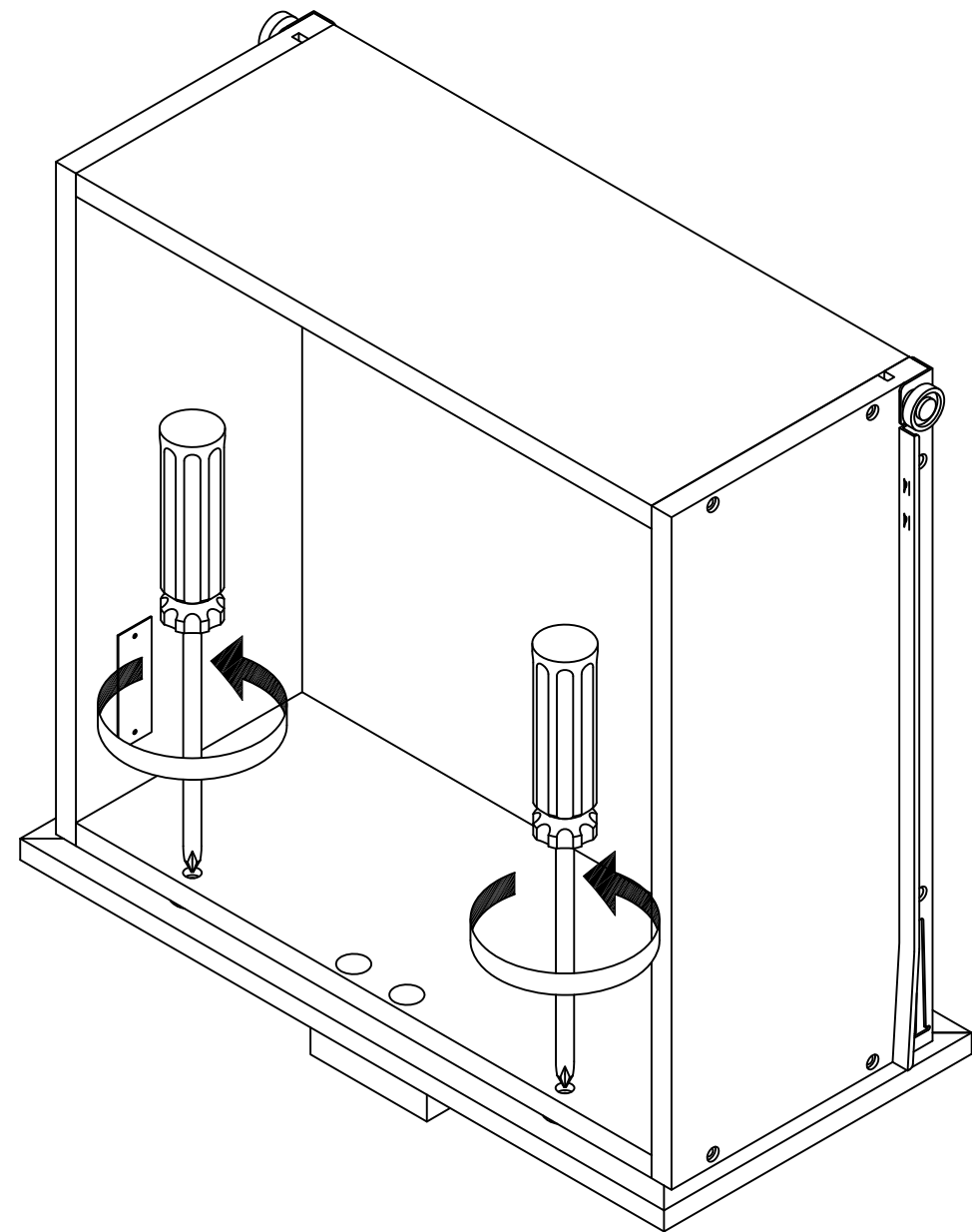
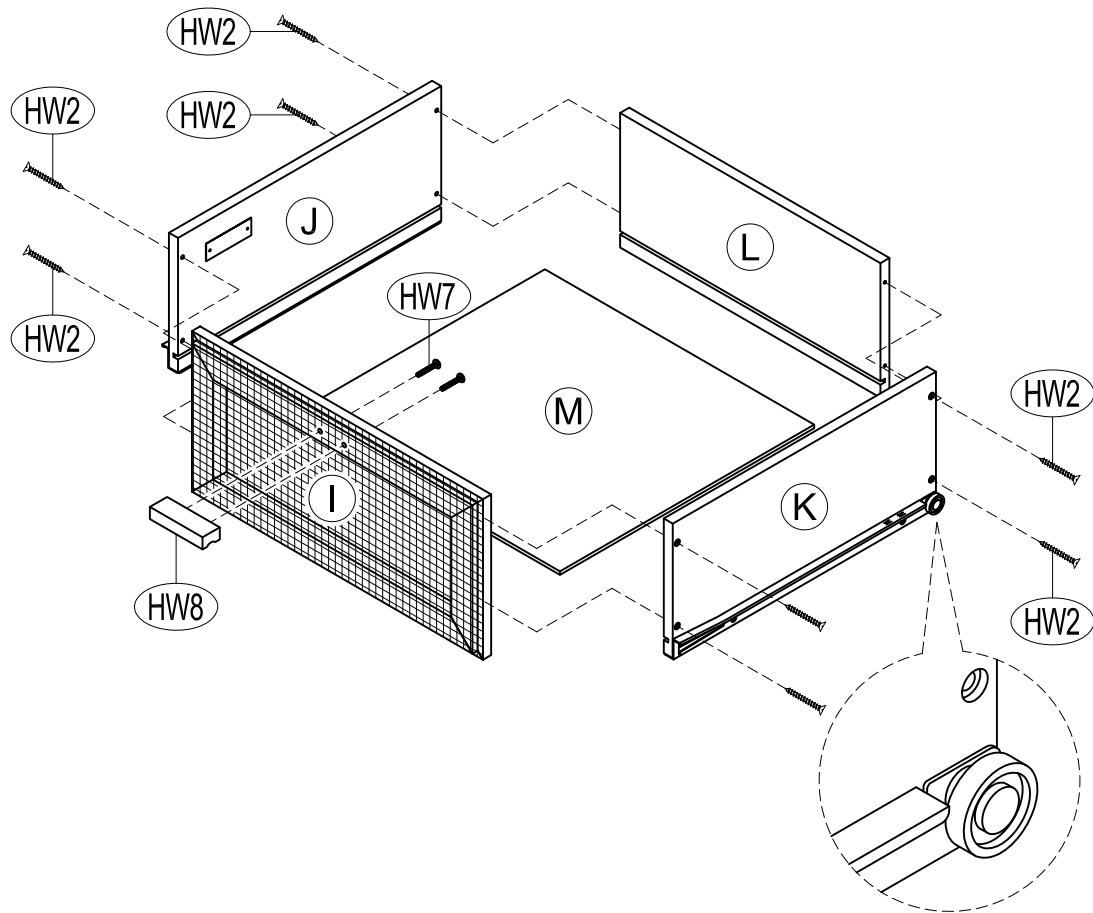
STEP 5 ATTACH RIGHT ASSEMBLY (C) TO UNIT USING CAMLOCKS (HW6) AND PIN (HW10).



STEP 6 ATTACH UNIT TO TOP PANEL (A) USING 1/2" ROUND HEAD SCREWS (HW1).

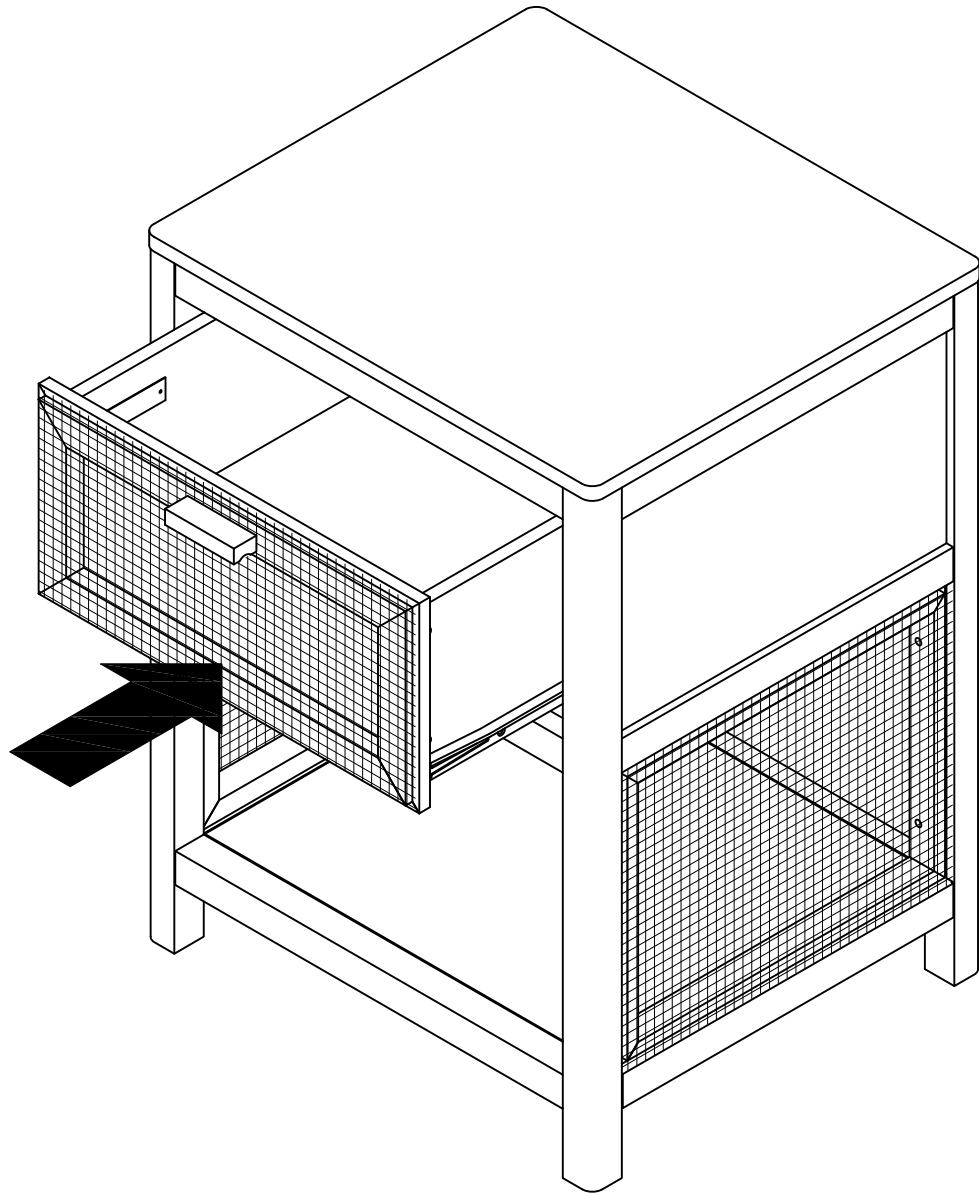


STEP 7 ATTACH WEDGES (HW11) TO LOCK BACK PANEL (H) USING 5/8" FLAT HEAD SCREWS (HW4). ADJUST THE ADJUSTER BOLT THAT HAS ALREADY ASSEMBLED TO THE LEGS TO STABILIZE YOUR UNIT.

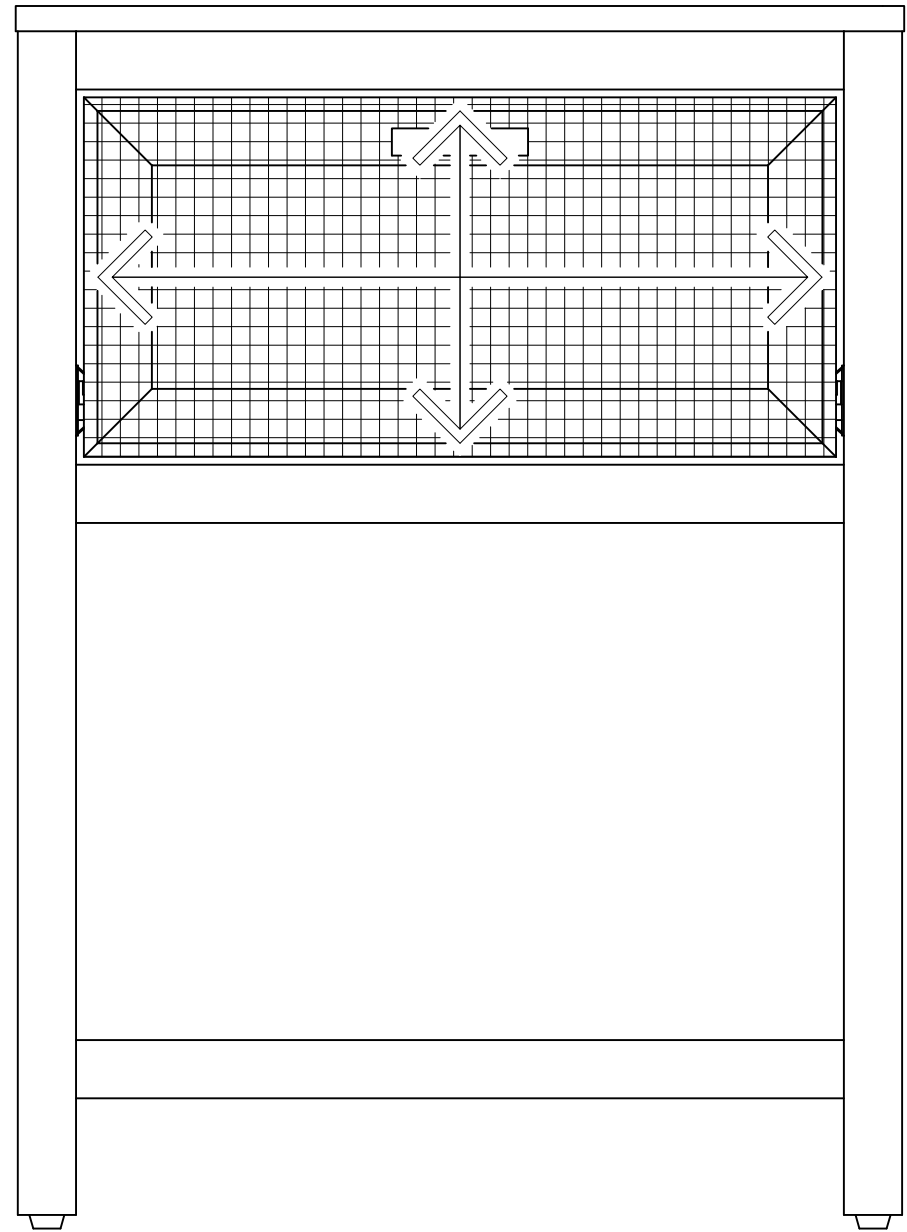


STEP 8 ATTACH HANDLE (HW8) TO DRAWER FRONT (I) USING HANDLE BOLTS (HW7). ATTACH DRAWER LEFT AND RIGHT (J AND K) TO DRAWER BACK (L) USING 1/4" FLAT HEAD SCREWS (HW2). SLIDE DRAWER BASE (M) INTO THE GROOVE. ATTACH DRAWER FRONT (I) TO DRAWER LEFT AND RIGHT (J AND K) USING 1/4" FLAT HEAD SCREWS (HW2).

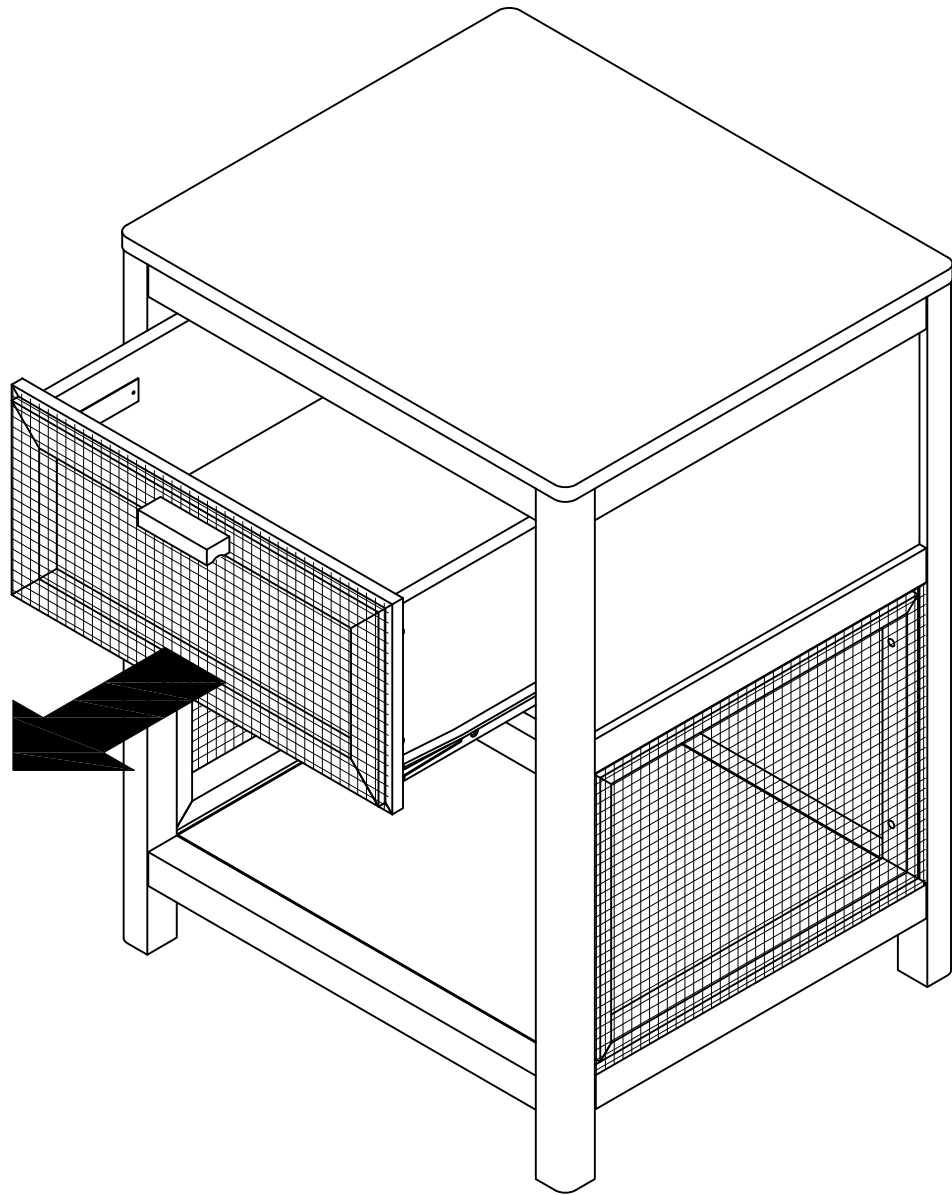
STEP 9 LOOSEN SLIGHTLY THE SCREWS PRE-INSTALLED ON THE BACK OF THE DRAWER FRONT (I).



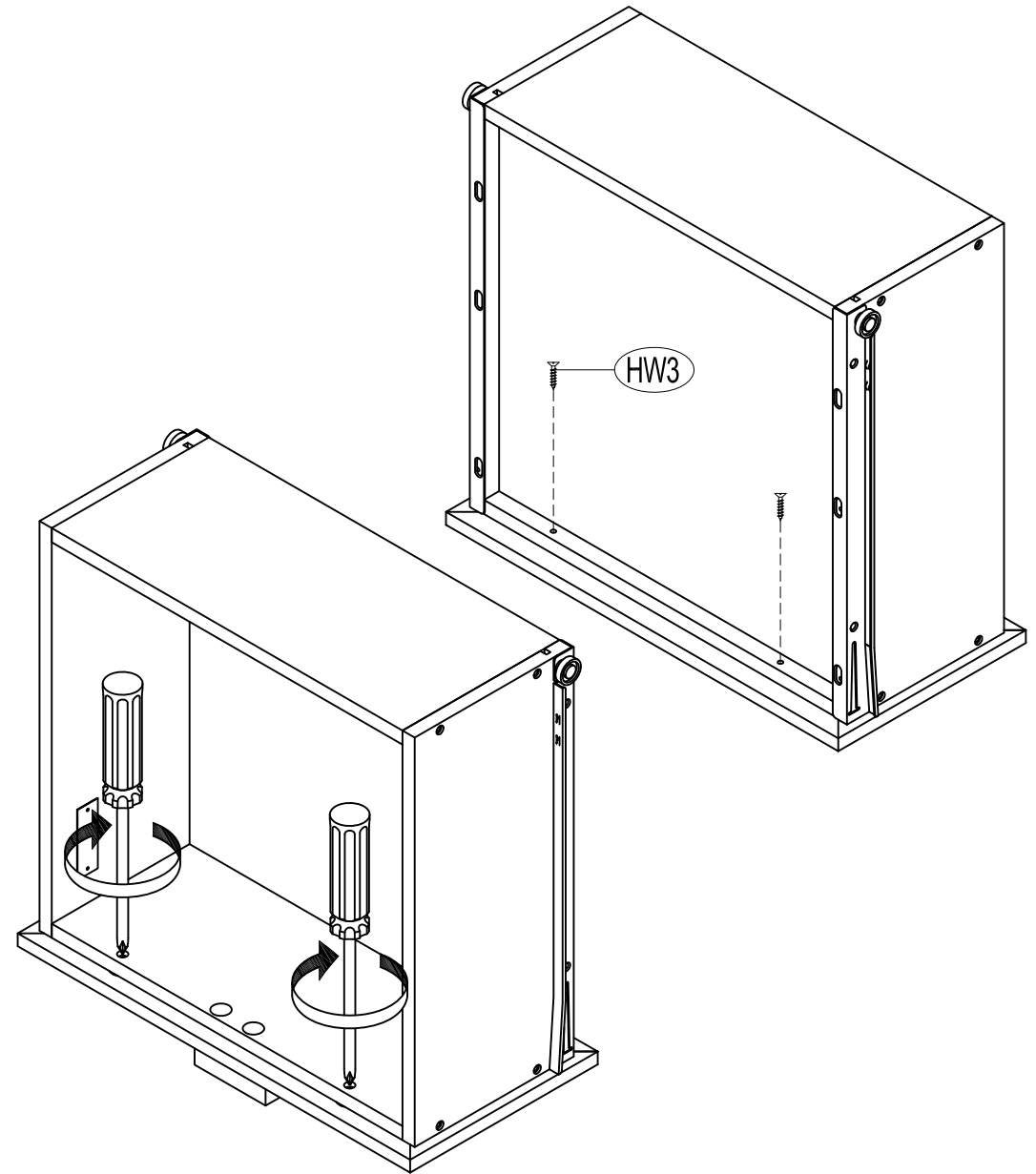
STEP 10 INSERT THE DRAWER INTO THE UNIT.



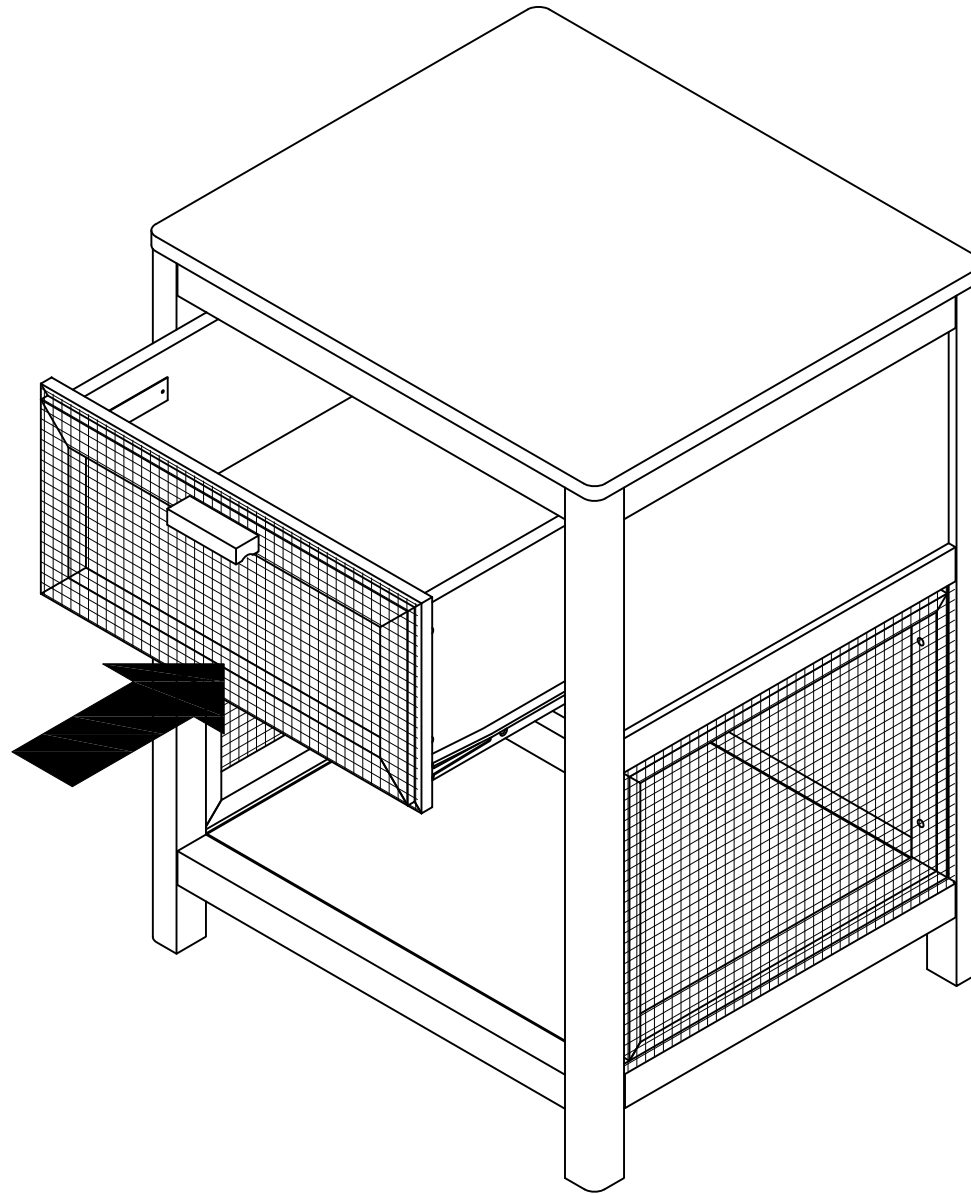
STEP 11 ADJUST THE DRAWER FRONT LEFT OR RIGHT AND UP OR DOWN UNTIL THE DRAWER GAPS LOOK PROPORTIONAL.



STEP 12 PULL OUT THE DRAWER OPEN SLOWLY.



STEP 13 MAKE SURE THE FRONT PANEL DOES NOT MOVE; RE-TIGHTEN THE SCREWS FROM STEP 9 AND LOCK THE DRAWER FRONT PANEL INTO POSITION WITH 3/4" FLAT HEAD SCREWS (HW3).



STEP 14 INSERT THE DRAWER INTO THE UNIT.