

IMPORTANT, RETAIN FOR FUTURE REFERENCE: READ CAREFULLY.

Only for domestic use

Instructions for use:

- *Put the chair stably on a flat floor.
- *Stay away from open flames.
- *Avoid the overload at the chair.

Precautions before assembly:

- *Prepare a clean and dry mounting area.
- *Verify that the product is not damaged.
- *Check that none of the pieces are missing.

Maintenance:

- *Clean with a soft fabric.
- *Check the seating regularly.

Storage conditions:

- *The fabric should be stored completely dry, in a clean and dry place to avoid the risks of mold.

Beware of crushing and cutting hazards during assembly.

The manufacturer declines all responsibility in case of damages due to a bad installation or withering.

Warning! Only trained personnel may replace or repair components for height adjustment of seating furniture with energy storage.

If the product has electrical parts:

This appliance can be used by children aged from 8 years and above and persons with reduced physical, sensory or mental capabilities or lack of experience and knowledge if they have been given supervision or instruction concerning use of the appliance in a safe way and understand the hazards involved.

Children shall not play with the appliance.

Cleaning and user maintenance shall not be made by children without supervision.

The appliance is only to be used with the power supply unit provided with the appliance.

The external flexible cable or cord of this transformer cannot be replaced; if the cord is damaged, the transformer shall be scrapped.

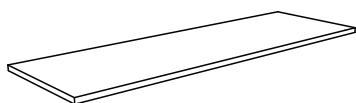
If The appliance has a heated surface. Persons insensitive to heat must be careful when using the appliance.



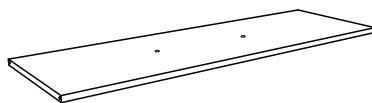
The power supply unit shall not be used, if pins of the plug part are damaged.

PARTS

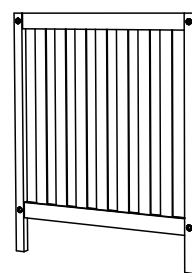
1 x 1



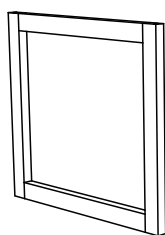
2 x 1



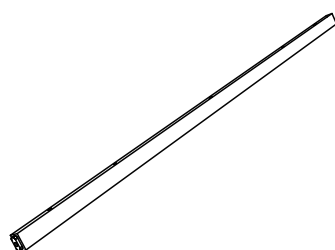
3 x 2



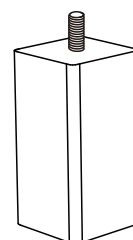
4 x 2



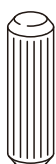
5 x 2



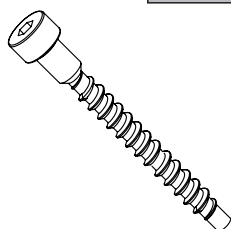
6 x 2



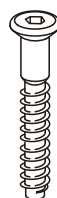
A x8
+1(spare)



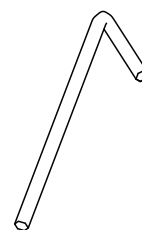
B x8
M5*40mm
+1(spare)



C x6
M5*35mm
+1(spare)



D x1



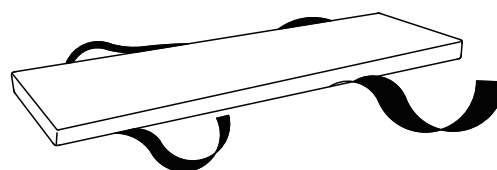
E x2
28x28mm



F x4
23x13mm
+1(spare)



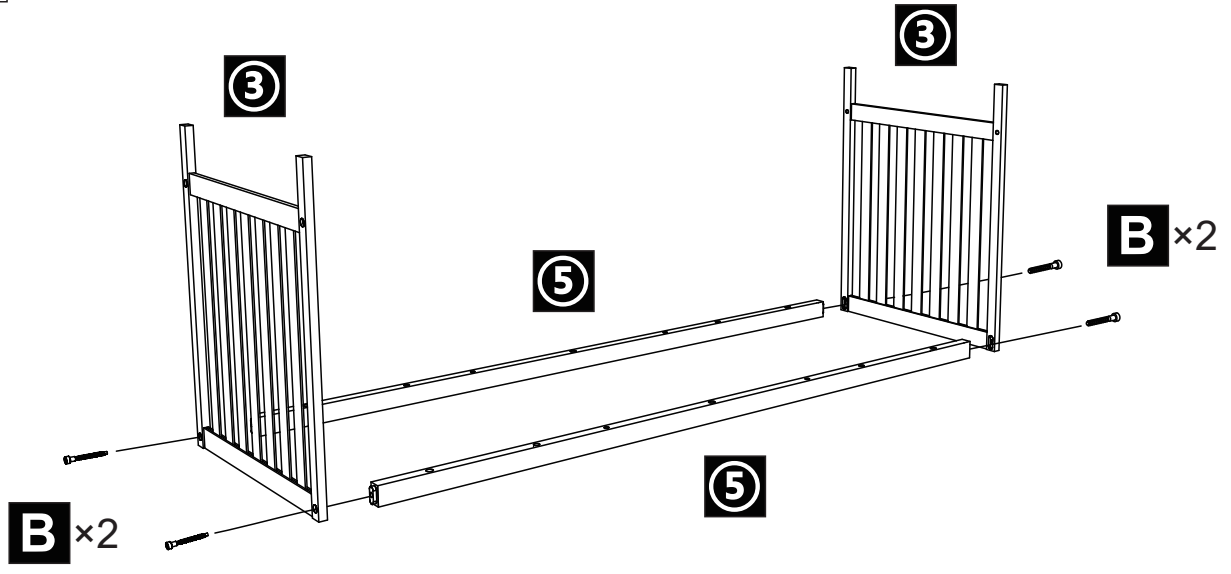
G x1



③ x 2

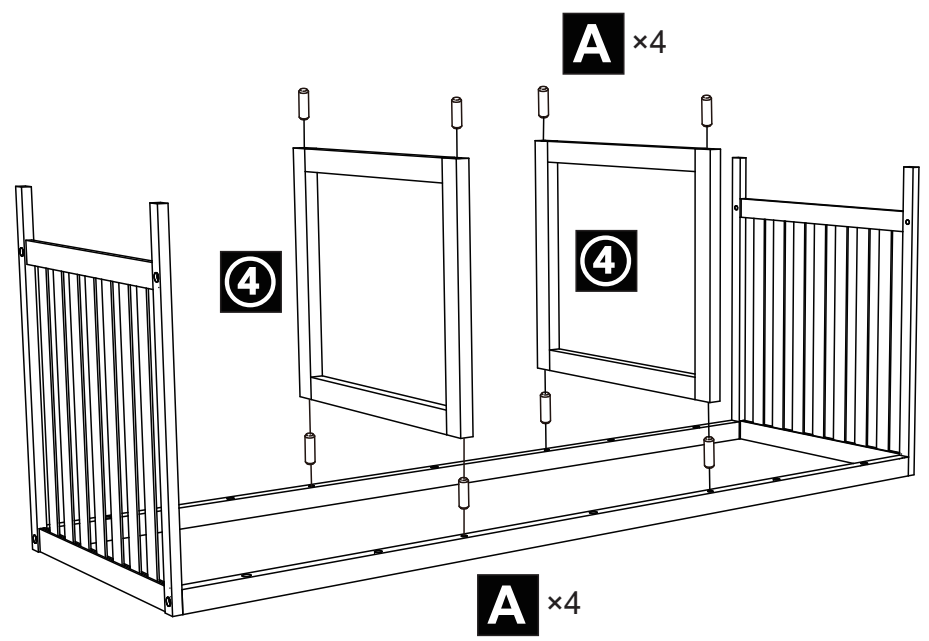
⑤ x 2

B x 4
M5*40



④ x 2

A x 8

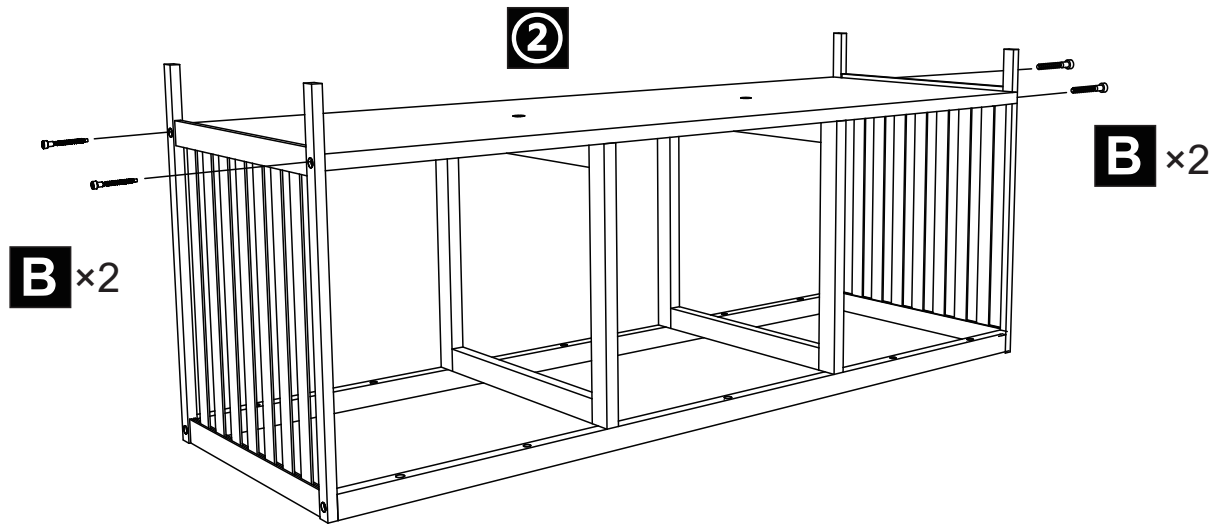
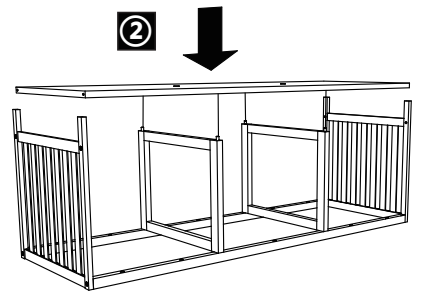


② x 1

B x 4

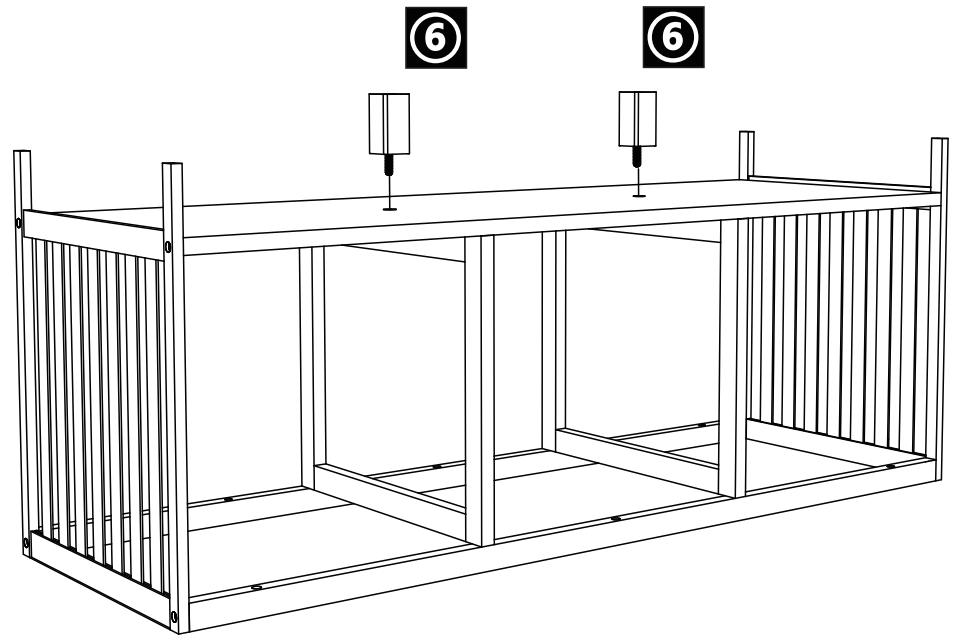
M5*40

03



⑥ x 2

04



1 x 1

E x 2

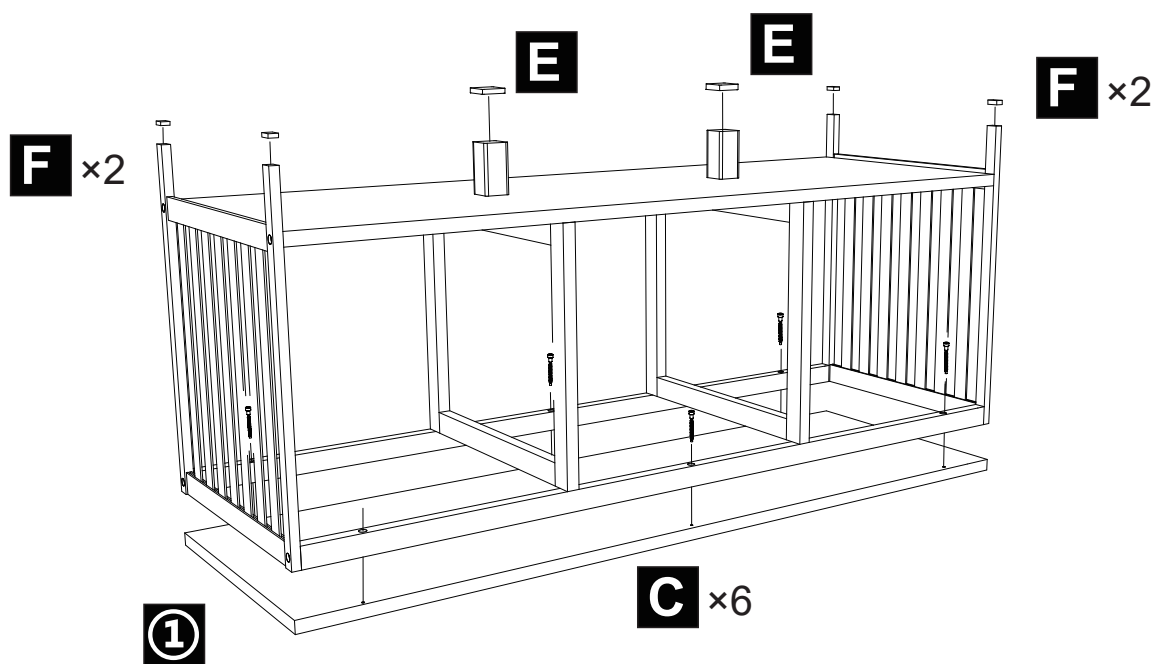
28x28mm

F x 4

23x13mm

C x 6

M5*35



G x 1

G

