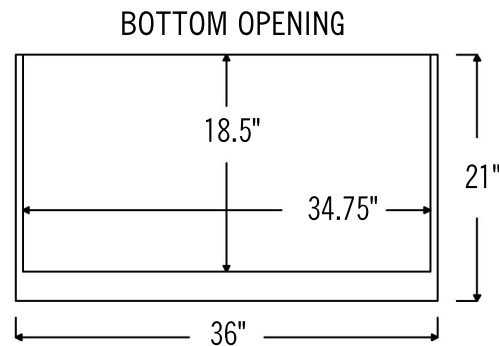
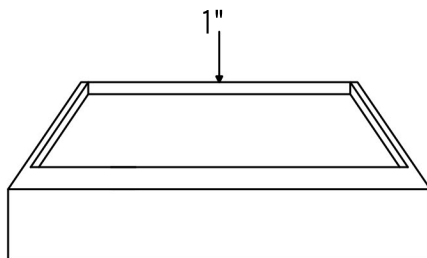
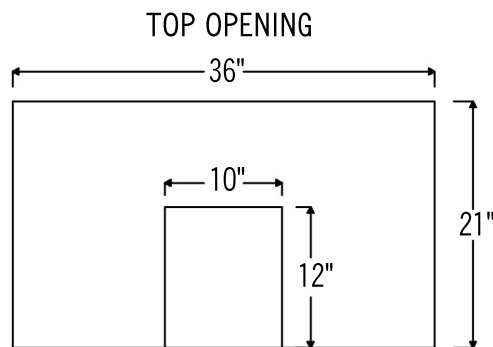
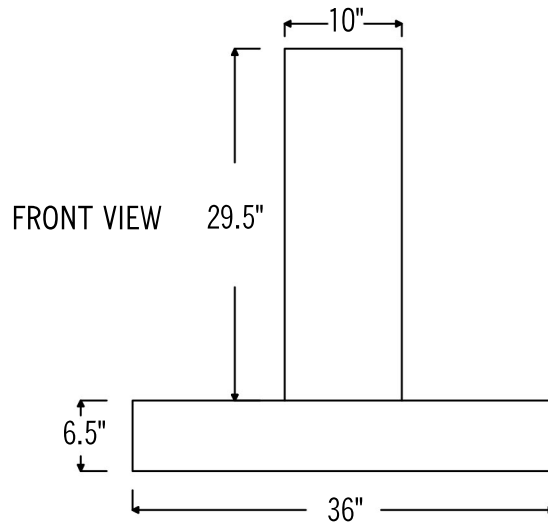
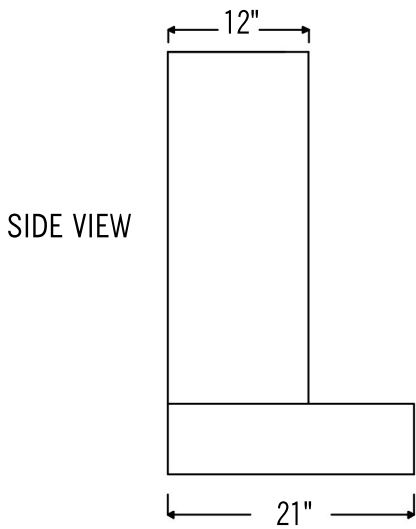




- \* Description: 36 Inch 735 CFM Modern Chimney Smooth Copper Wall Mounted Range Hood with Slim Baffle Filters
- \* Outer Dimension: 36" x 21" x 36"
- \* Top Dimension: 10" x 12"
- \* Bottom Dimension: 36" x 21"
- \* Bottom Opening for Insert: 34.75" x 18.5"
- \* Bottom Opening Position: Back Center
- \* Top Open/Closed: Completely Open
- \* Skirt Height: 6.5"
- \* Finish: Antique Bronze/Copper
- \* Texture: Smooth Copper



THIS PRODUCTS IS HAND CRAFTED, SMALL VARIANCES IN COLOR AND SIZE MAY OCCUR.  
DO NOT MAKE ANY INSTALLATION CUTS UNTIL YOU RECEIVE YOUR ITEM(S).



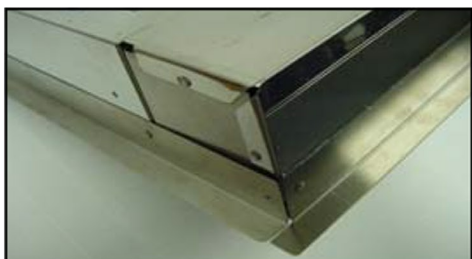
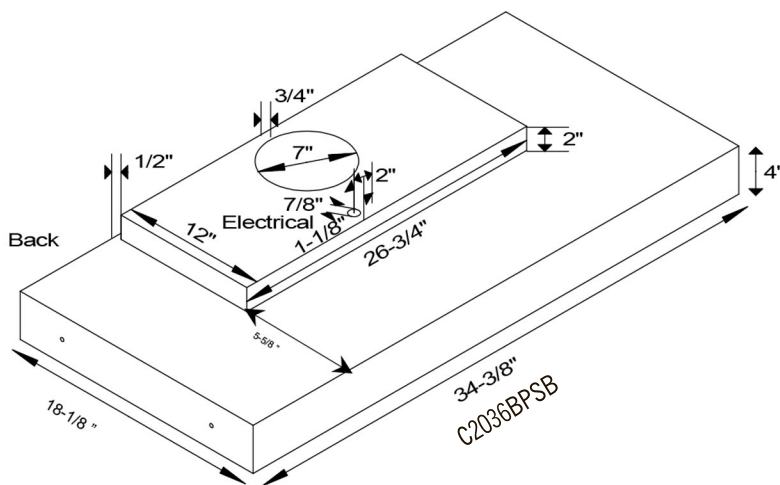
PREMIER  
COPPER PRODUCTS

MODEL NUMBER: HV-WGSM36-C2036BPSB

- \* Description: 36 Inch 735 CFM Modern Chimney Smooth Copper Wall Mounted Range Hood with Slim Baffle Filters
- \* Insert Model Number: C2036BPSB
- \* Insert Description: 735 CFM, 1.5-4.6 Sones, Variable Controls,
- \* Insert Duct: Single 7" Round Vent Opening
- \* Lighting: LED Bulbs Included / *Lights Located on Front Panel*
- \* Filter: Slim Baffle Filters
- \* Insert Finish: Stainless Steel



## POWERED LINER SPECIFICATIONS



3/4" Flange for perfect fit.

SEVEN YEAR, IN HOME, LIMITED WARRANTY ON INSERT, THE BEST IN THE INDUSTRY!

Please visit [ImperialHoods.com](http://ImperialHoods.com) to view the details on their warranty

All dimensions on inserts are (+/-) 1/8" and are subject to change. Drawings are not to scale.