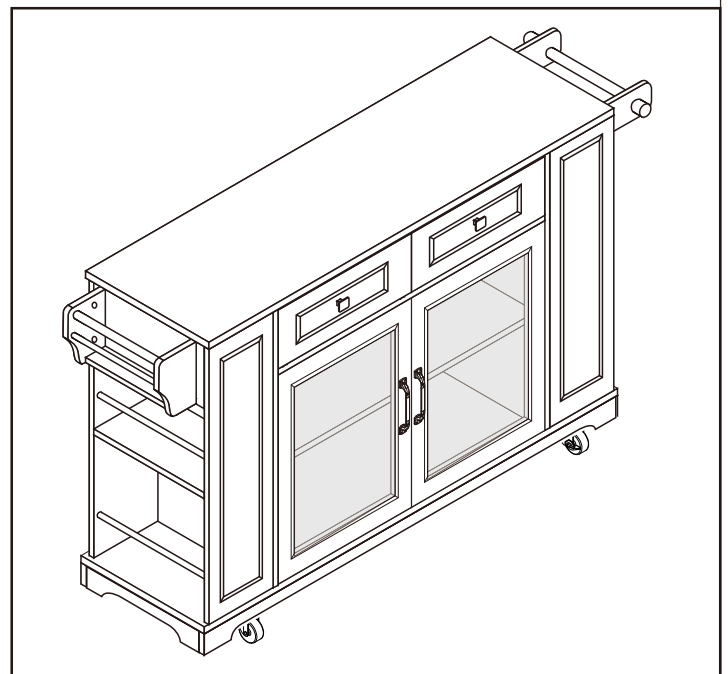
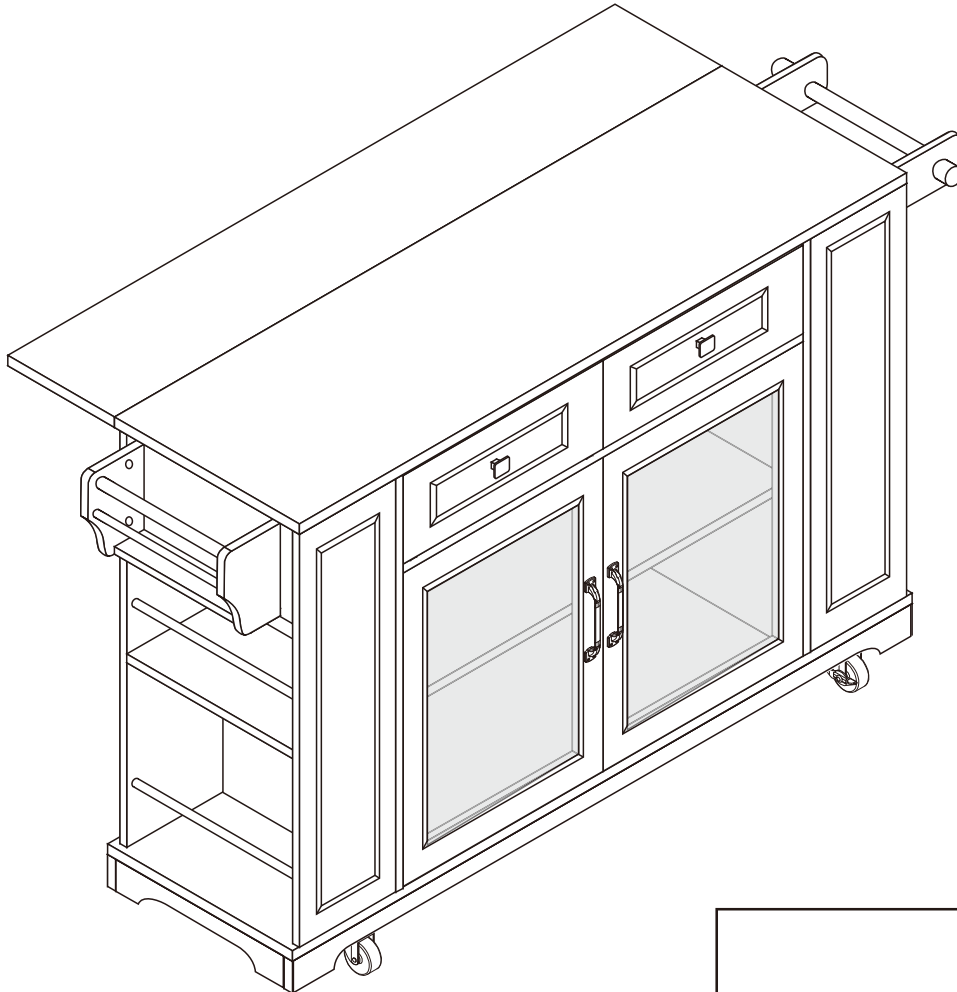


ASSEMBLY INSTRUCTION

ITEM:Kitchen Island Cart

N767P417396

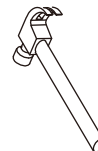
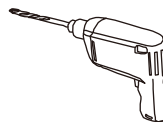
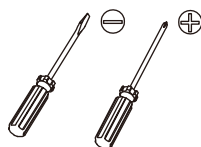


2 PERS



1 h 30 min

Tool Required Not Provided



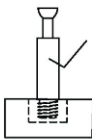
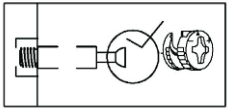
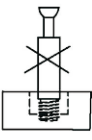
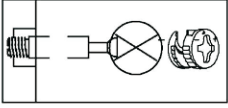
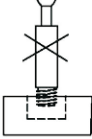
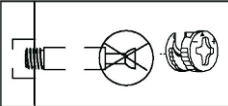
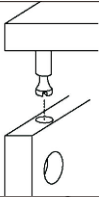
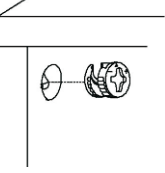

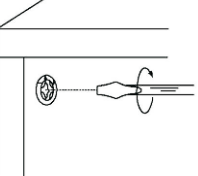

Before Installation

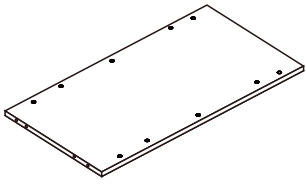
Important-Please read these instructions fully before starting assembly

Thank you for purchasing this quality product. Be sure to check all packing materials carefully for small parts, which may have come loose inside the carton during shipment. Identify and count all items according to the PARTS LIST and/or HARDWARE LIST shown below. Check you have all the components and tools listed on the following pages.

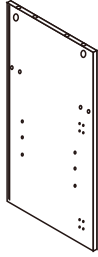
- We recommend that you assemble this product with the assistance of another person; this will make the assembly easier, and will help eliminate damage to the product or injury to persons during assembly.
- Please do not over tighten screws or bolts until the assembly is completed.
- Keep children and animal away from the work area, small parts could choke if swallowed. Please put all parts on a non-abrasive floor before assembly, and follow the assembly steps to assemble your newly purchased product correctly and efficiently.

Cam Lock Assembly Instructions

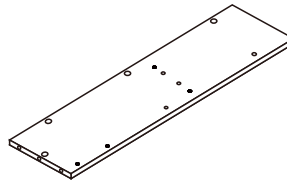
		Diagram A Insert Cam Bolt into hole as shown in diagram A.
		Diagram B Make sure not to insert the Cam Bolt: Too deep as shown in figure B as this will cause the Cam Lock to be misaligned and unable to interlock properly.
		Diagram C Also avoid inserting the Cam Bolt too close to the surface of the hole as shown in figure C, as this will cause the Cam Lock to be too loose, and not interlock properly.
		Connect the panels together.
		ARROW SIGN Insert the Cam Lock so the side opening fits over the head of the Cam Bolt.
		To tighten the Cam Lock, turn it clockwise on half a turn with a flat screwdriver. *Do not use an automatic screwdriver as it may bend or break if too much power is imposed.



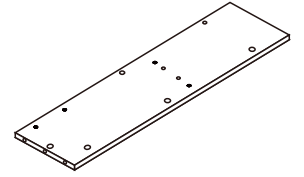
① x 1



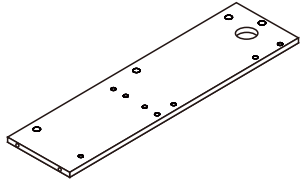
② x 1



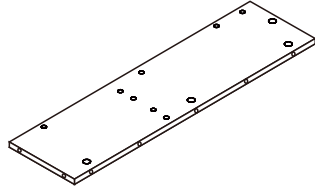
③ x 1



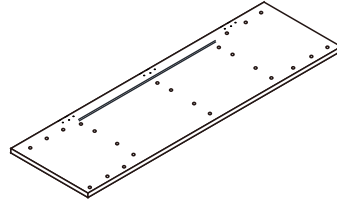
④ x 1



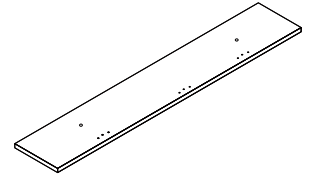
⑤ x 1



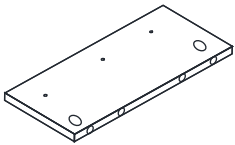
⑥ x 1



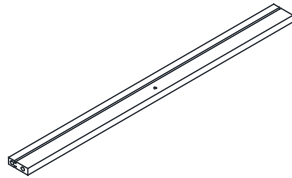
⑦ x 1



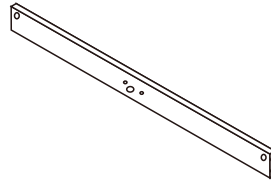
⑧ x 1



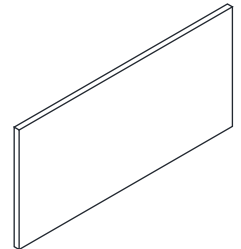
⑨ x 1



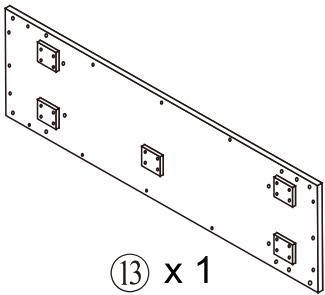
⑩ x 1



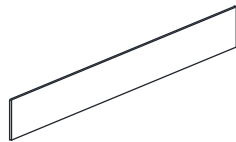
⑪ x 1



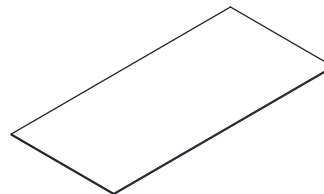
⑫ x 1



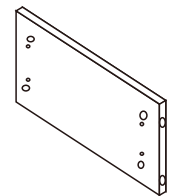
⑬ x 1



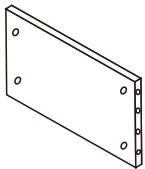
⑭ x 1



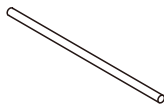
⑮ x 2



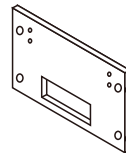
⑯ x 1



⑰ x 2



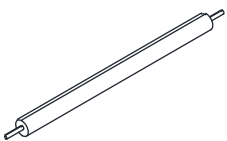
⑱ x 4



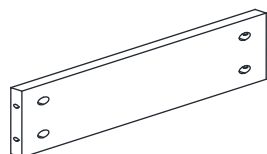
⑲ x 1



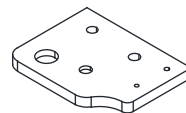
⑳ x 2



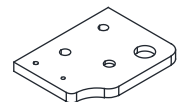
㉑ x 1



㉒ x 1

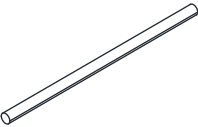
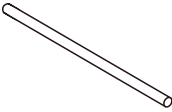
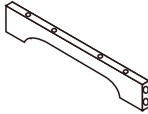
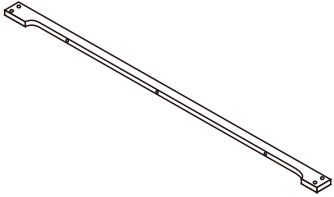
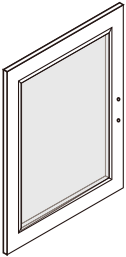
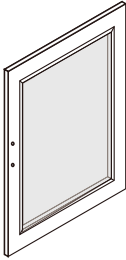
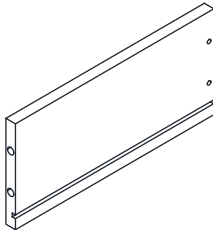
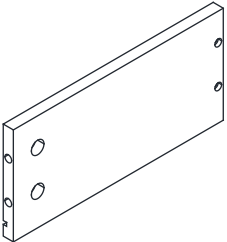
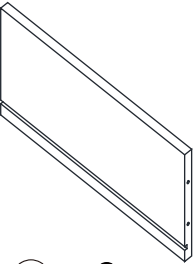
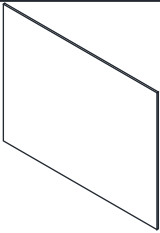
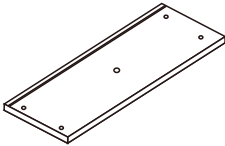
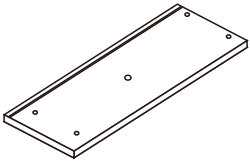

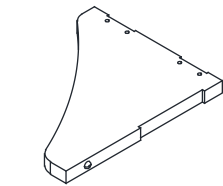
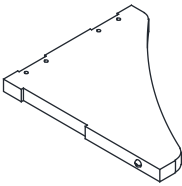



㉓ x 1

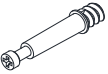




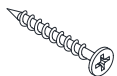

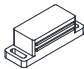

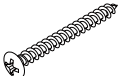

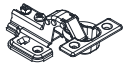


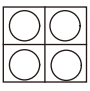



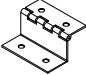
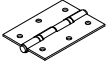



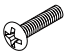








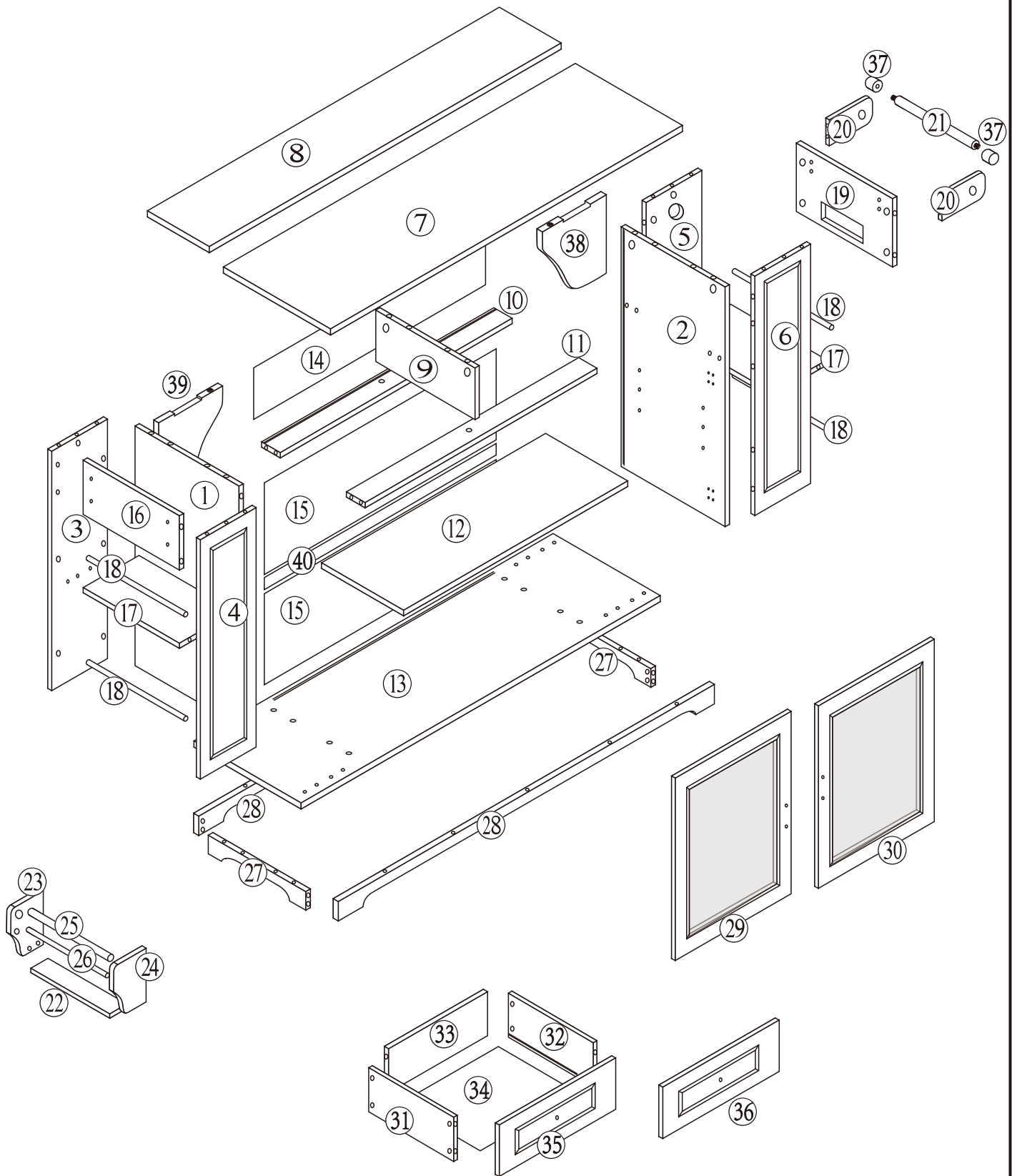
㉔ x 1

PARTS

			
②⑤ x 1	②⑥ x 1	②⑦ x 2	②⑧ x 2
			
②⑨ x 1	③⑦ x 1	③① x 2	③② x 2
			
③③ x 2	③④ x 2	③⑤ x 1	③⑥ x 1
			
③⑦ x 2	③⑧ x 1	③⑨ x 1	④⑦ x 1

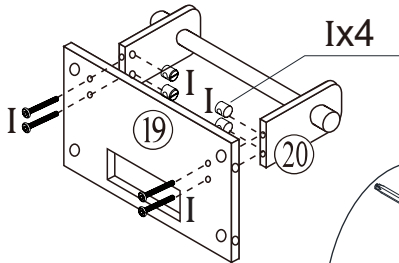
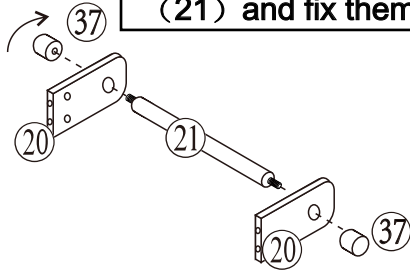
HARDWARE

									
A x 60	B x 60	Φ6x30mm C x 60	Φ7x50mm D x 12	Φ3x12mm E x 58	Φ4x30mm F x 11	G x 4	H x 1	Φ6x40mm I x 8	Φ4x40mm J x 11
									
K x 2	L x 4	M x 9	N x 1	O x 16	P x 3	Q x 2	Φ4x12mm R x 21	S x 4	T x 3
									
U x 2	Φ3x14mm V x 11	Φ4x12mm W x 26	Φ4x18mm X x 6	Y x 1	Z x 1	CL x 2	CR x 2	DL x 2	DR x 2

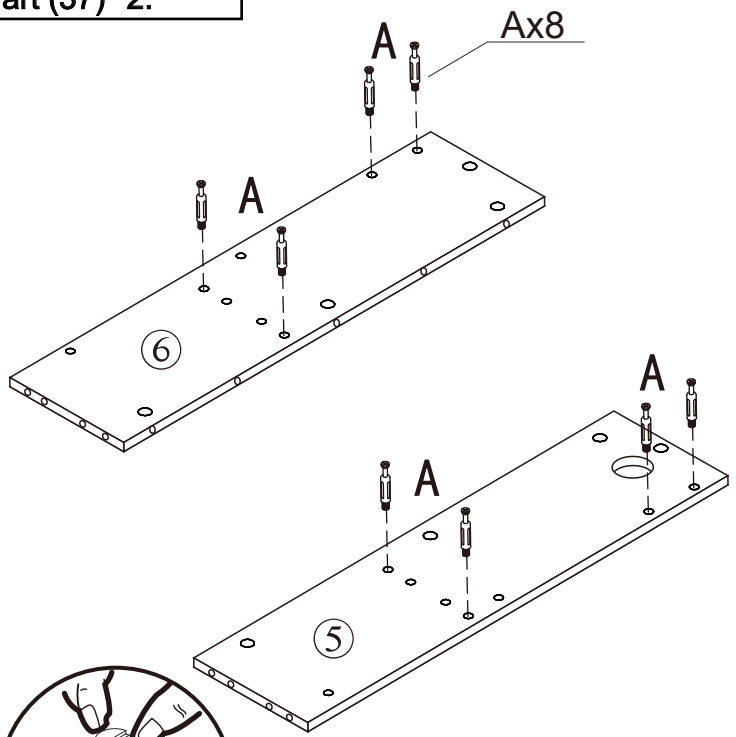
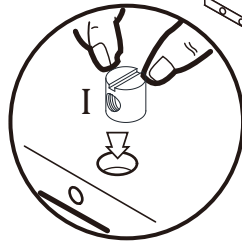
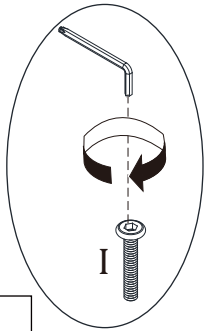


1.

Attached Part (20) *2 with Part (21) and fix them by Part (37) *2.



Attached pre-assembly Part(20)&(21)&(37)with Part (19) and fix them by Hardware I *4.



Attached Hardware A*8 with Part(5)&(6)

Ax8



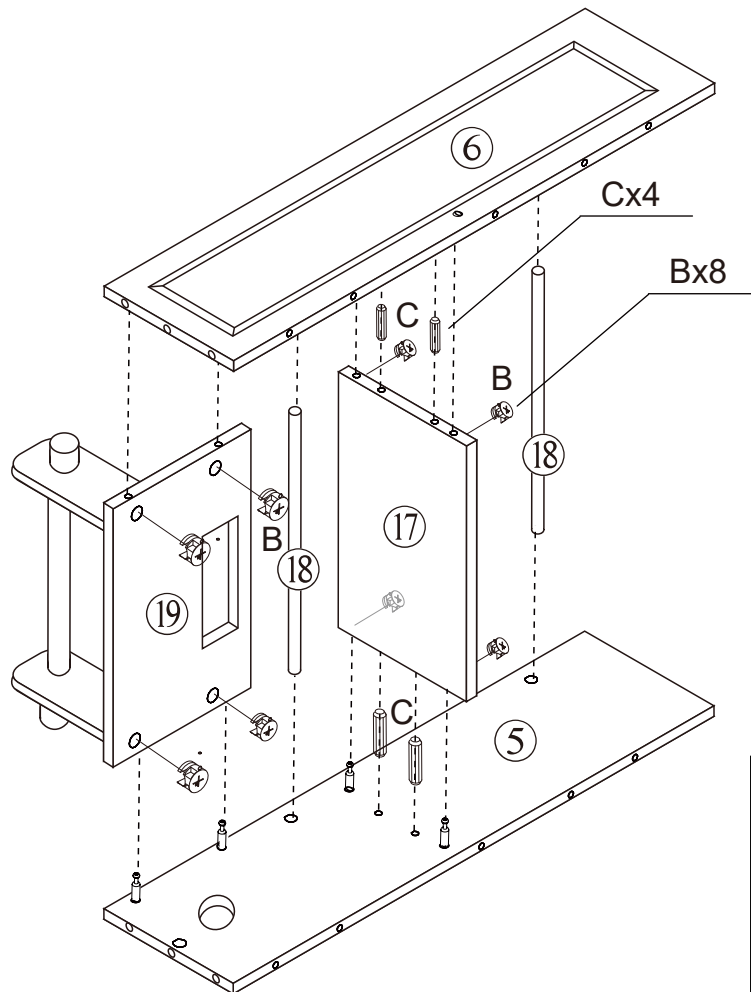
I x4



Nx1



2.



Attached pre-assembly Part(20)&(21)&(37) (19) and Part(17) & Part (18)*2 with Part(5)and Part(6) and fix them by Hardware B *8 and C*4.

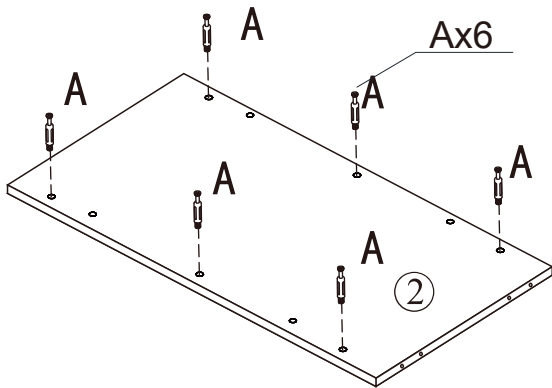
Bx8



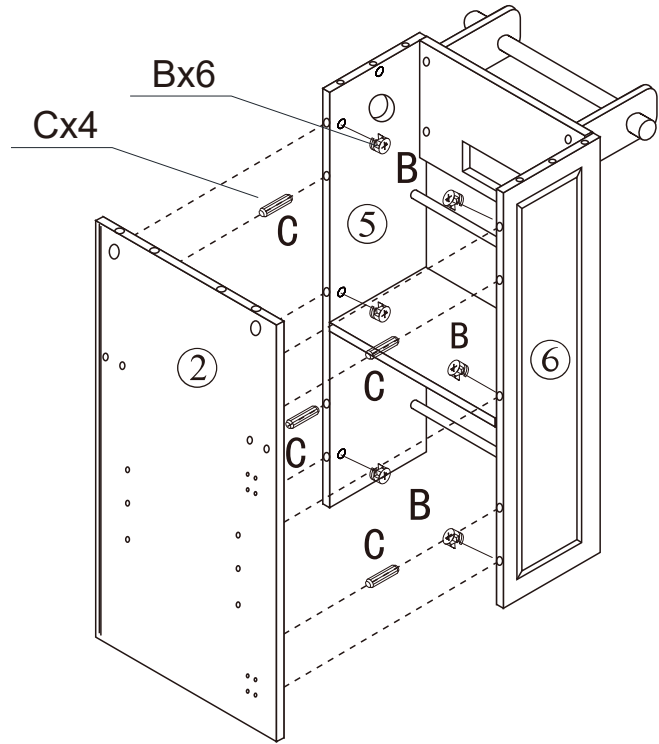
Cx4



3.



Fix Hardware A *6



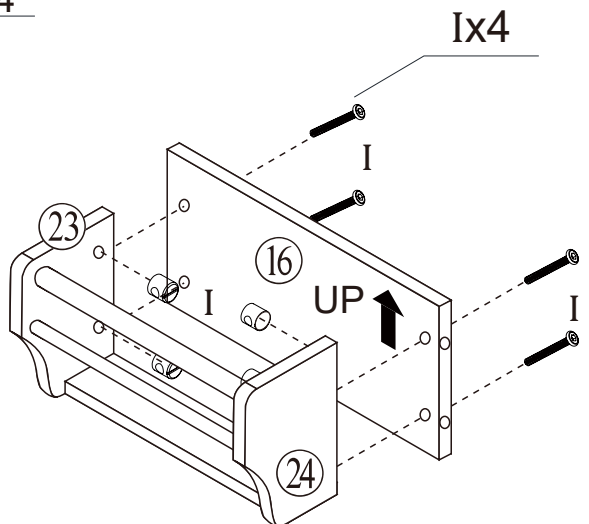
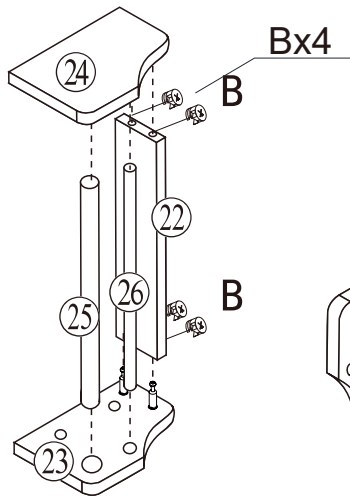
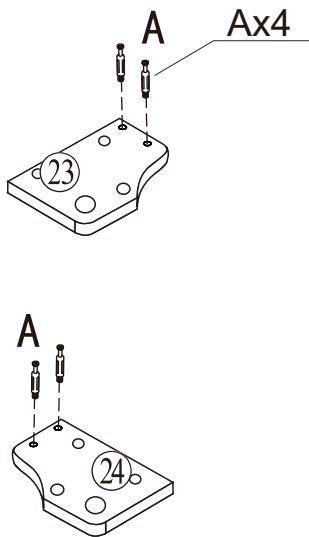
Attached Part (2) with pre-assembly Part(5)&(6) and fix them by B*6 and C*4.

Ax6	Bx6	Cx4

4.

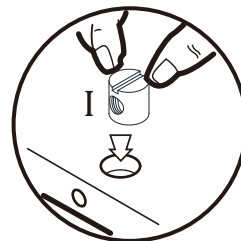
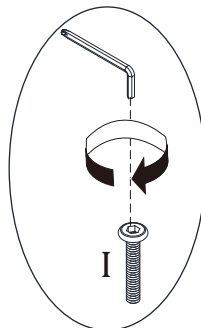
Attached Part (22) &(25)&(26) with Part (23) &(24) and fix them by B * 4.

Attached Part (16) with Part (23) &(24) and fix them by I * 4.

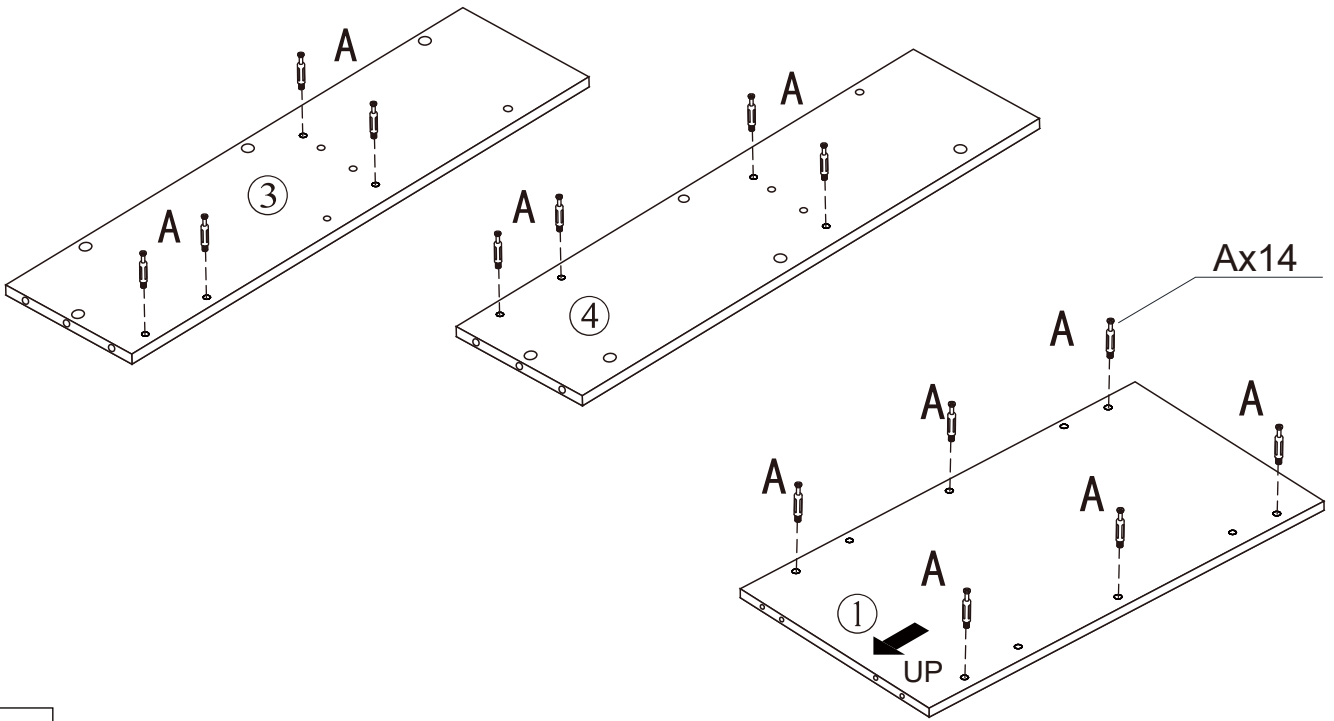


Fix Hardware A *4

Ax4	Bx4	I x4	Nx1



5.

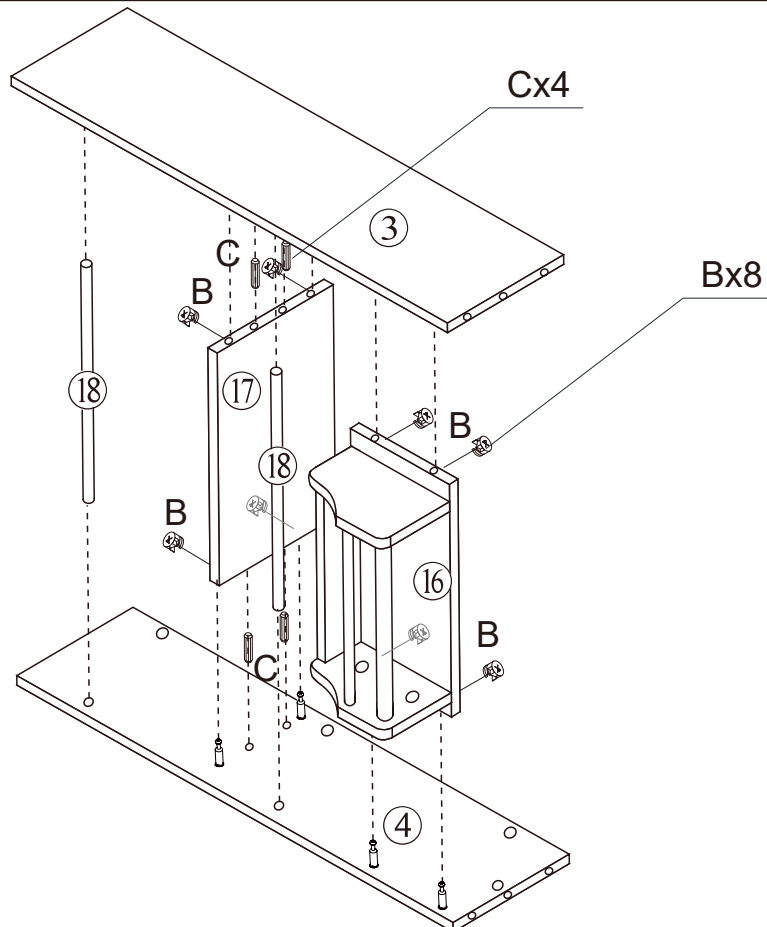


Ax14



Attached Hardware A with Part(3)(4)(1)

6.



Bx8



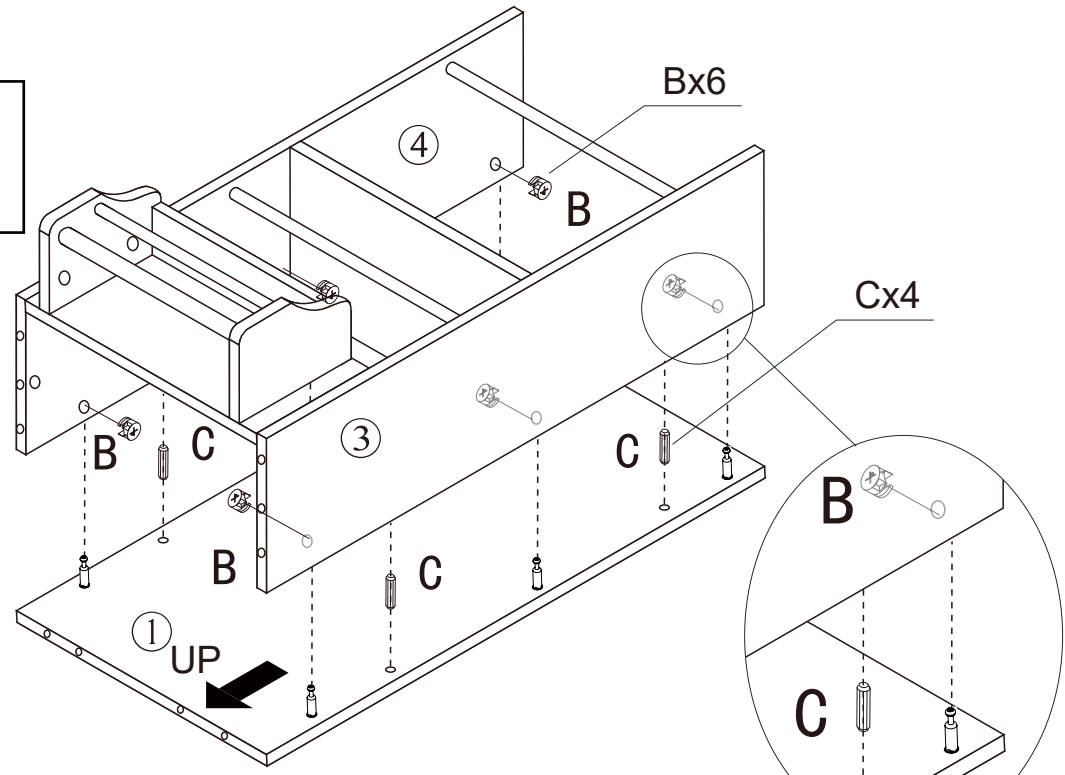
Cx4





Attached Part (3) &(4) with pre-assembly Part(16)and Part(18)*2 &Part (17) and fix them by B*8 and C*4.

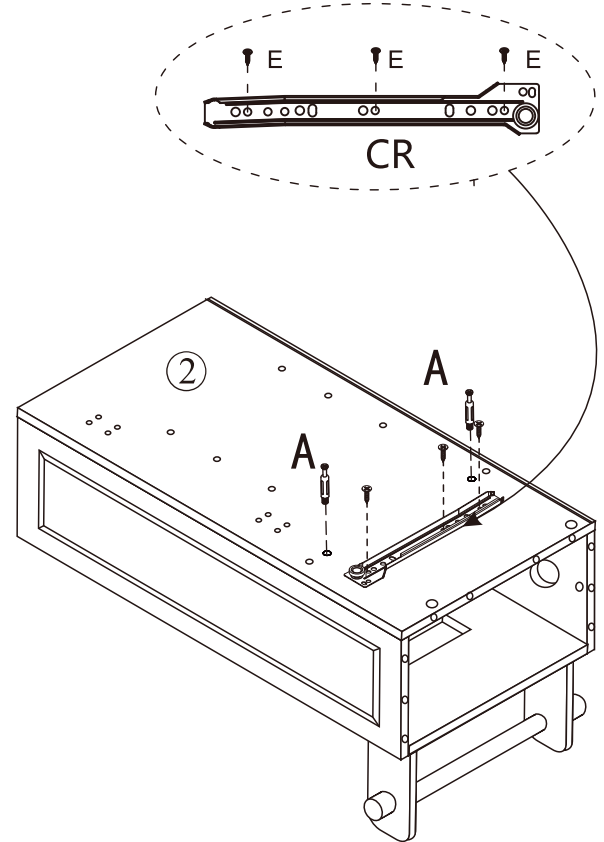
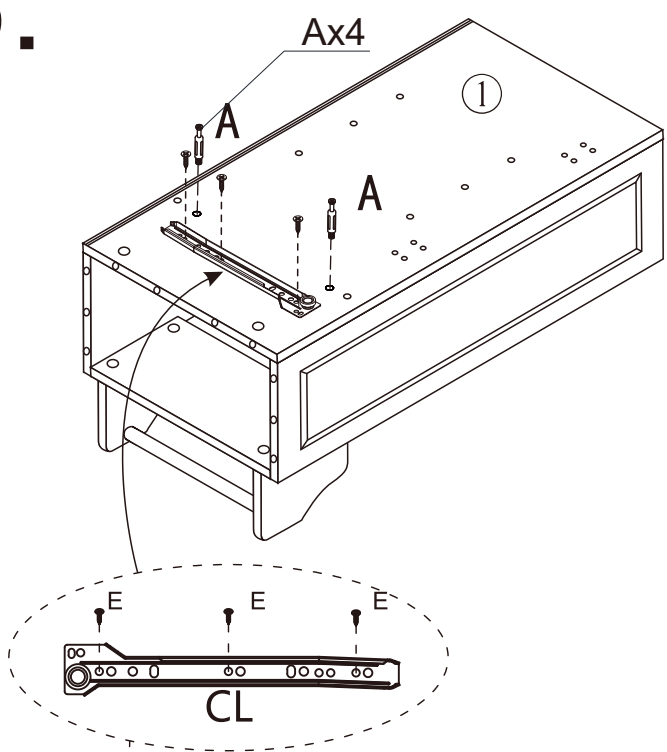
7.





Attached pre-assembly Part (3) &(4) with Part(1) and fix them by B*6 and C*4.



Bx6	Cx4
	

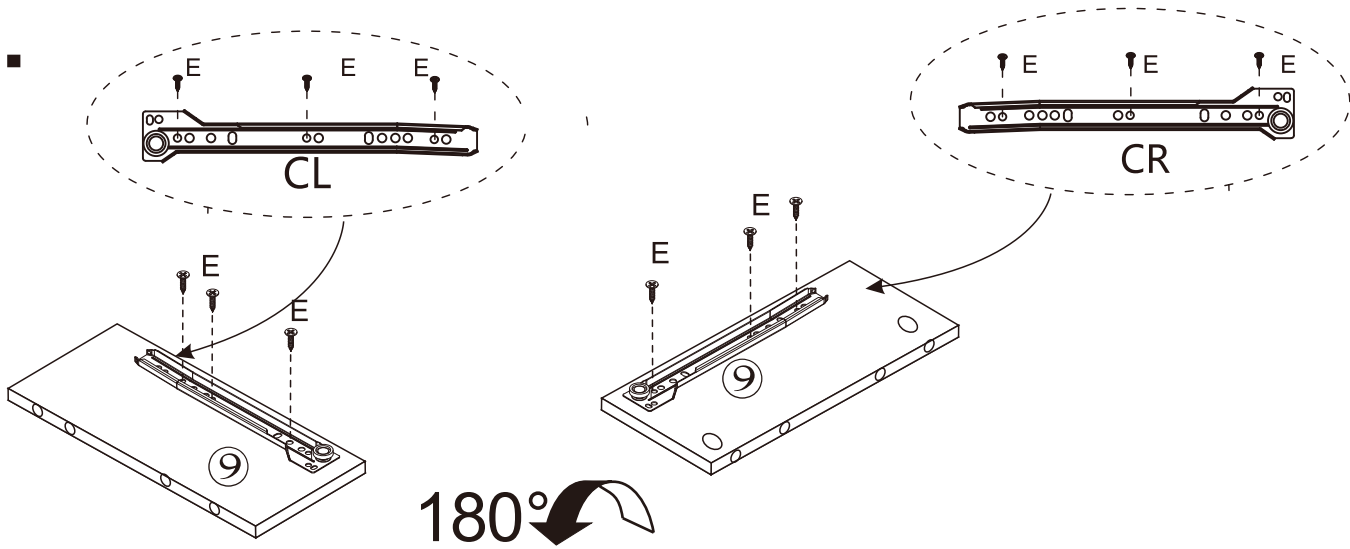
8.



Ax4	Ex6	CL x1	CR x1
			

Attached Hardware CL with Part (1) and fix it by Hardware E*3.
 Attached Hardware CR with Part (2) and fix it by Hardware E*3.
 Attached Hardware A*2 with Part(1)(2)

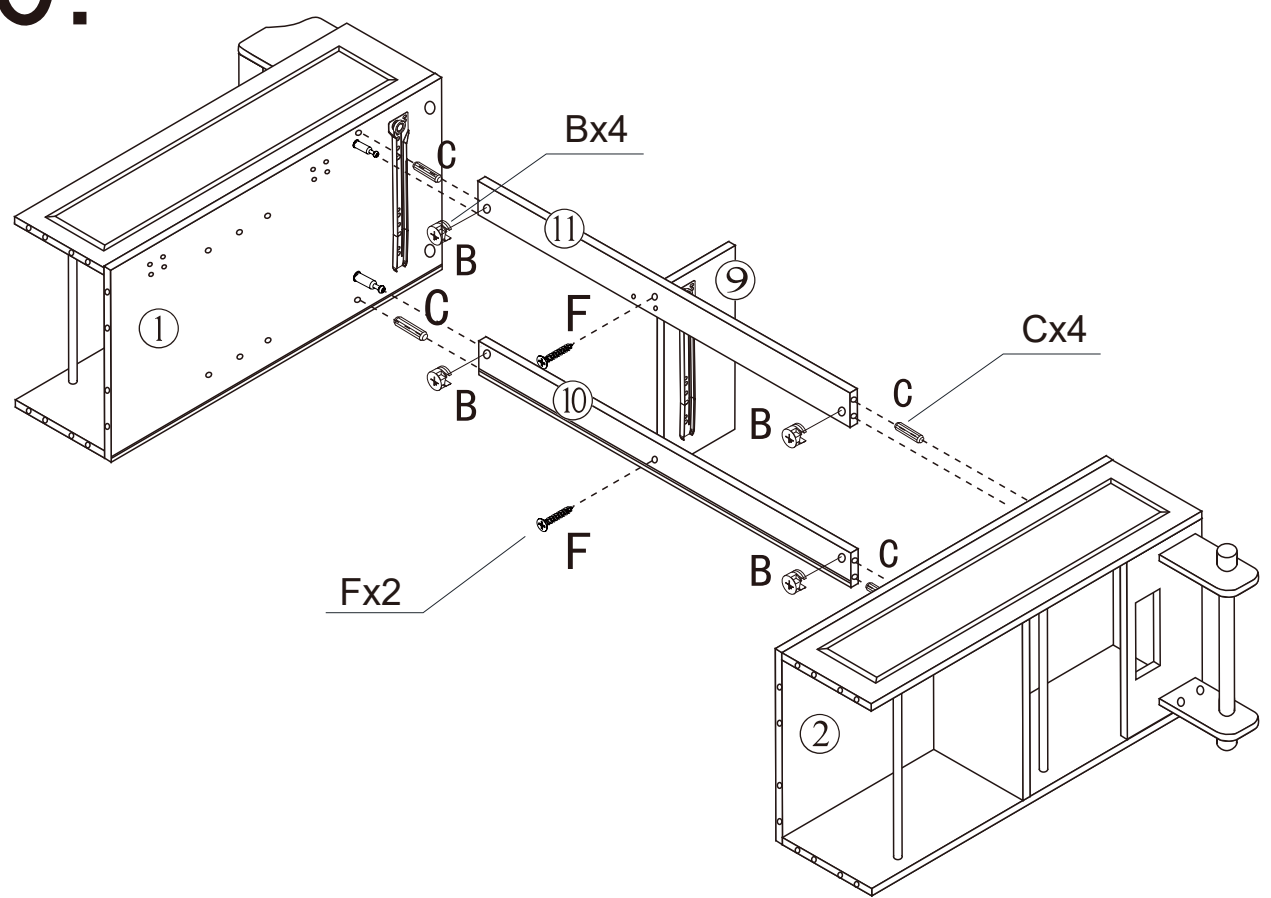
9.



Attached Hardware CL with Part (9) and fix it by Hardware E*3.
 Flip this Panel 180°
 Attached Hardware CR with Part (9) and fix it by Hardware E*3.

Ex6	CL x1	CR x1

10.

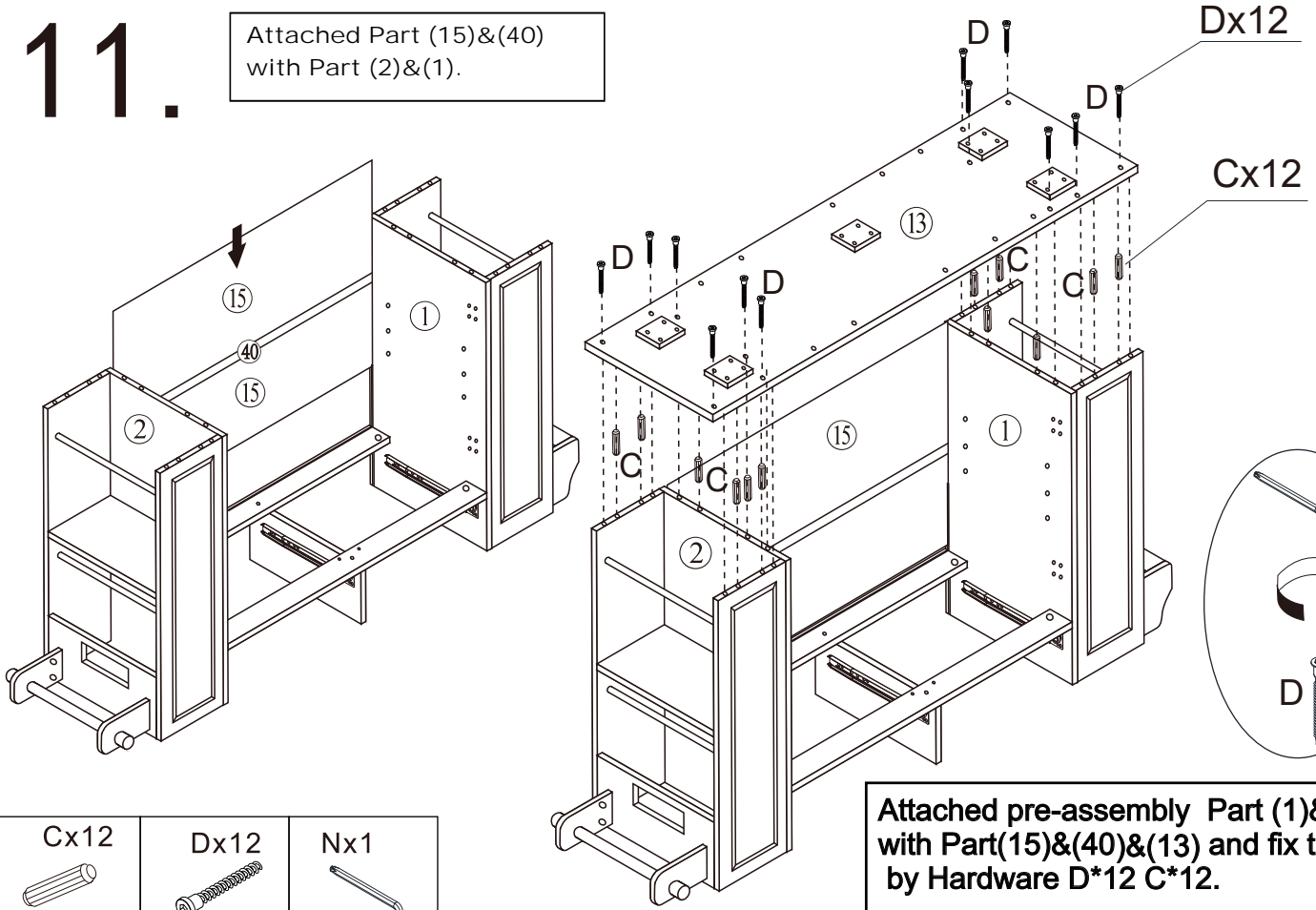


Attached pre-assembly Part (1)&(2) with Part(10)&(9)&(1) and fix them by Hardware B*4 C*4 and F*2.

Bx4	Cx4	Fx2

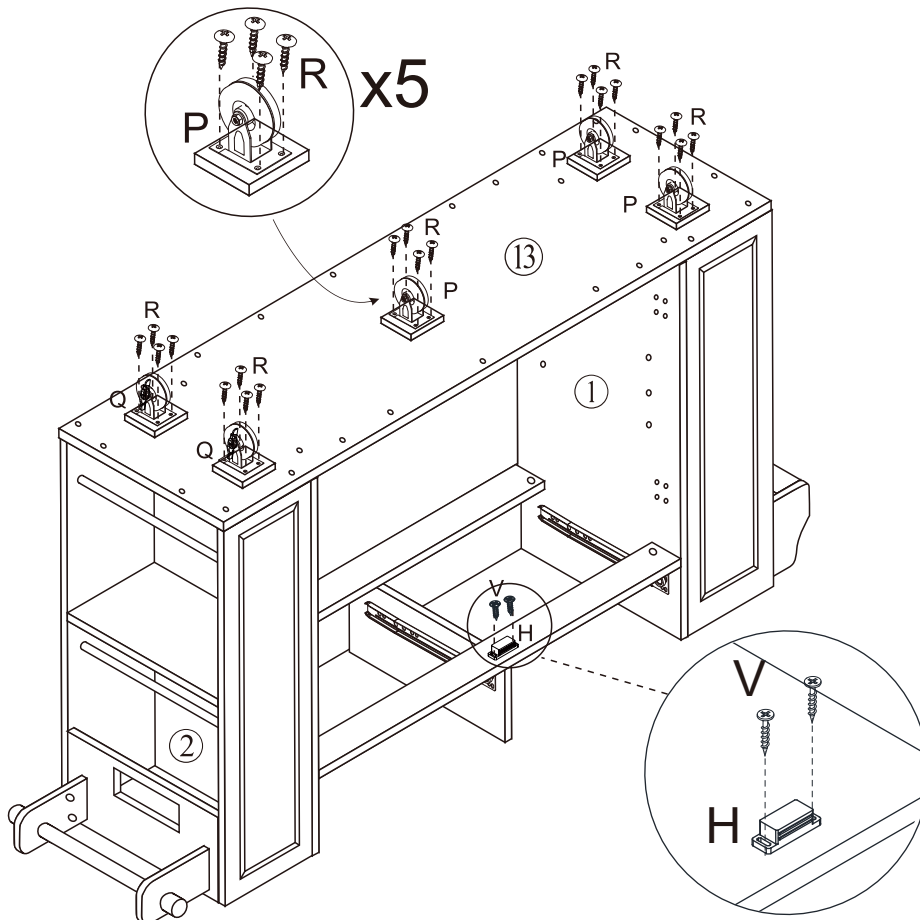
11.

Attached Part (15)&(40)
with Part (2)&(1).



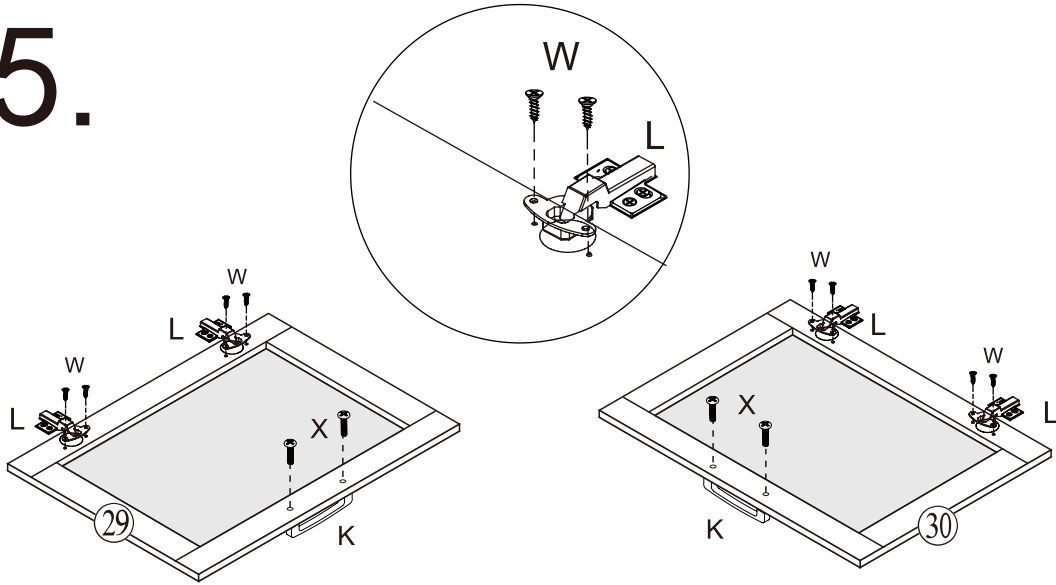
Attached pre-assembly Part (1)&(2)
with Part(15)&(40)&(13) and fix them
by Hardware D*12 C*12.

12.







Attached Hardware P&Q by Hardware R*20.
Attached Hardware H by Hardware V*2.

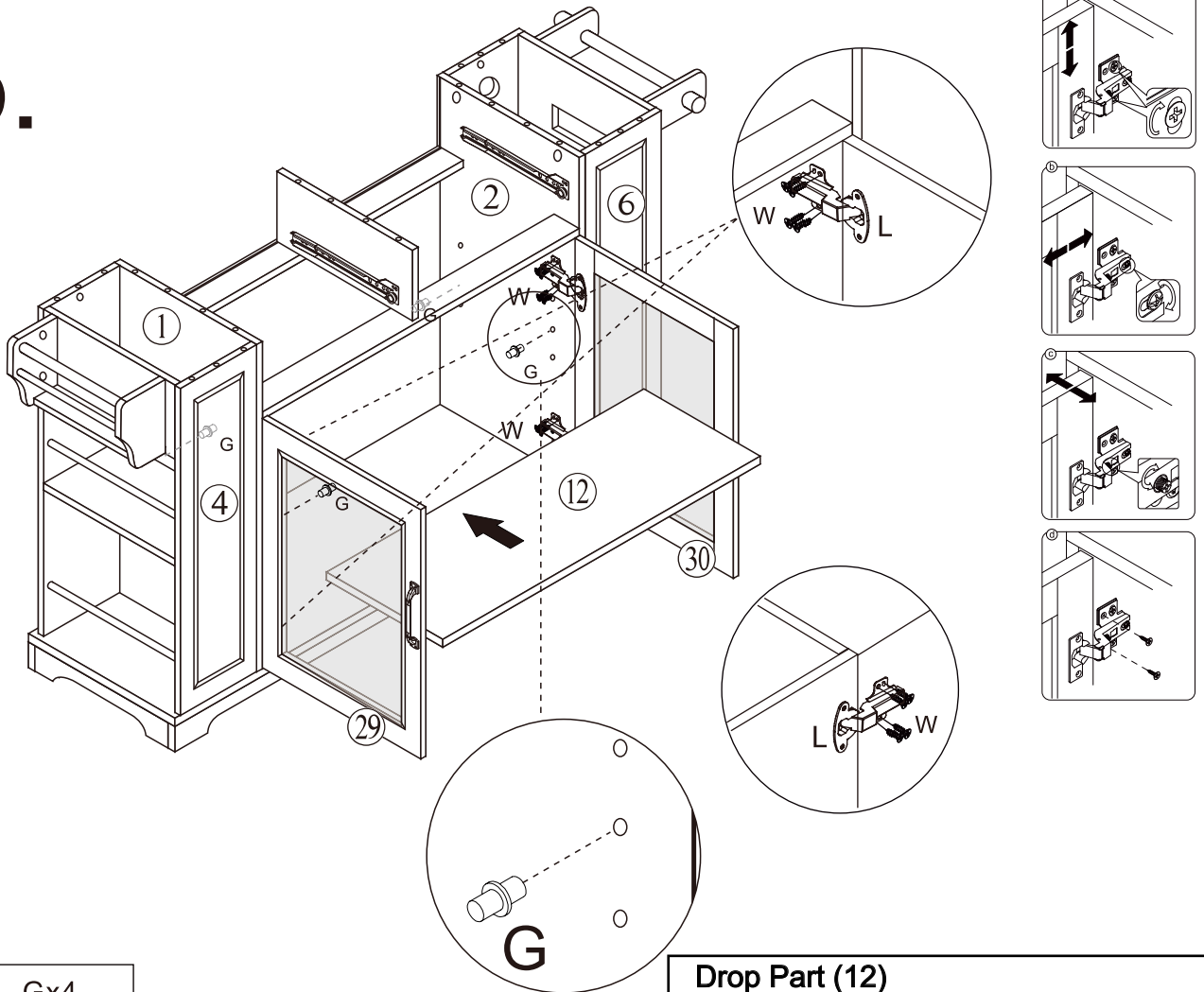
15.





Attached Hard L*4 with Part (29)&(30)
and fix them by Hardware W*8.
Attached Hard K*2 with Part (29)&(30
)and fix them by Hardware X*4.

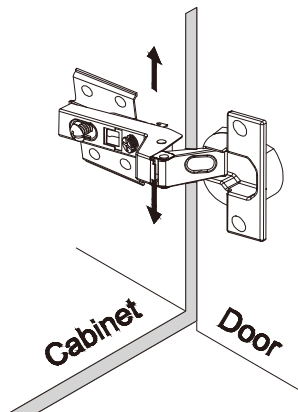
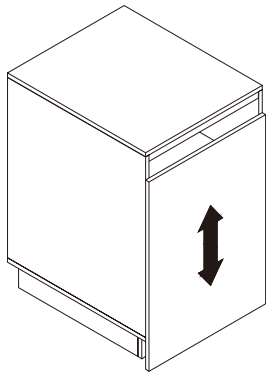
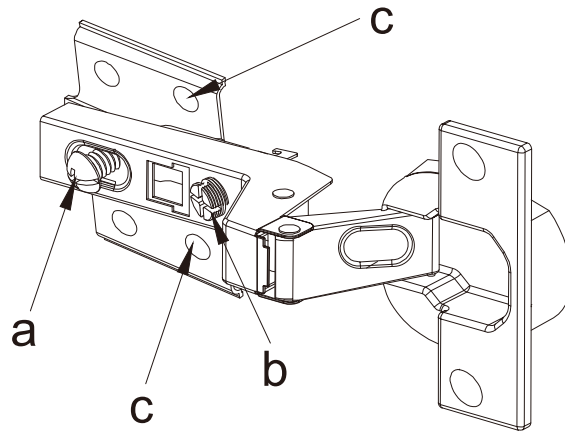
Wx8 	Kx2 	Xx4 	Lx4 
--	--	--	--

16.



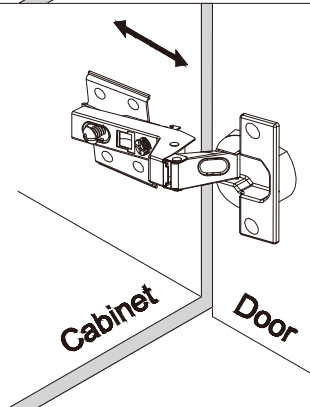
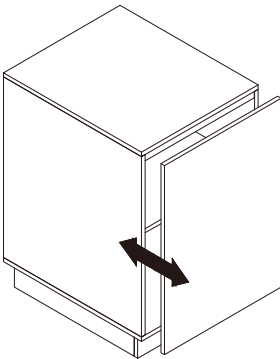
Wx16 	Gx4 
---	--

Drop Part (12)
Fix Part(29)(30) by Hardware W*16
Fix Hardware G*2.



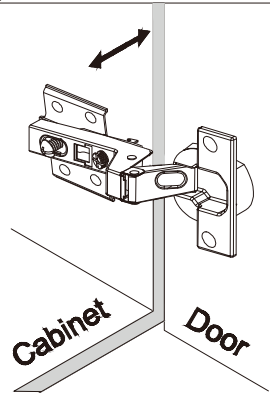
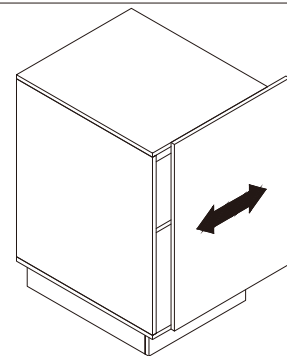
To adjust the vertical height.

Loosen the four screws "c" on both hinges. Two of them are usually in slotted holes which allows you to adjust up or down by a few mm. Then tighten back up.



To adjust depth.

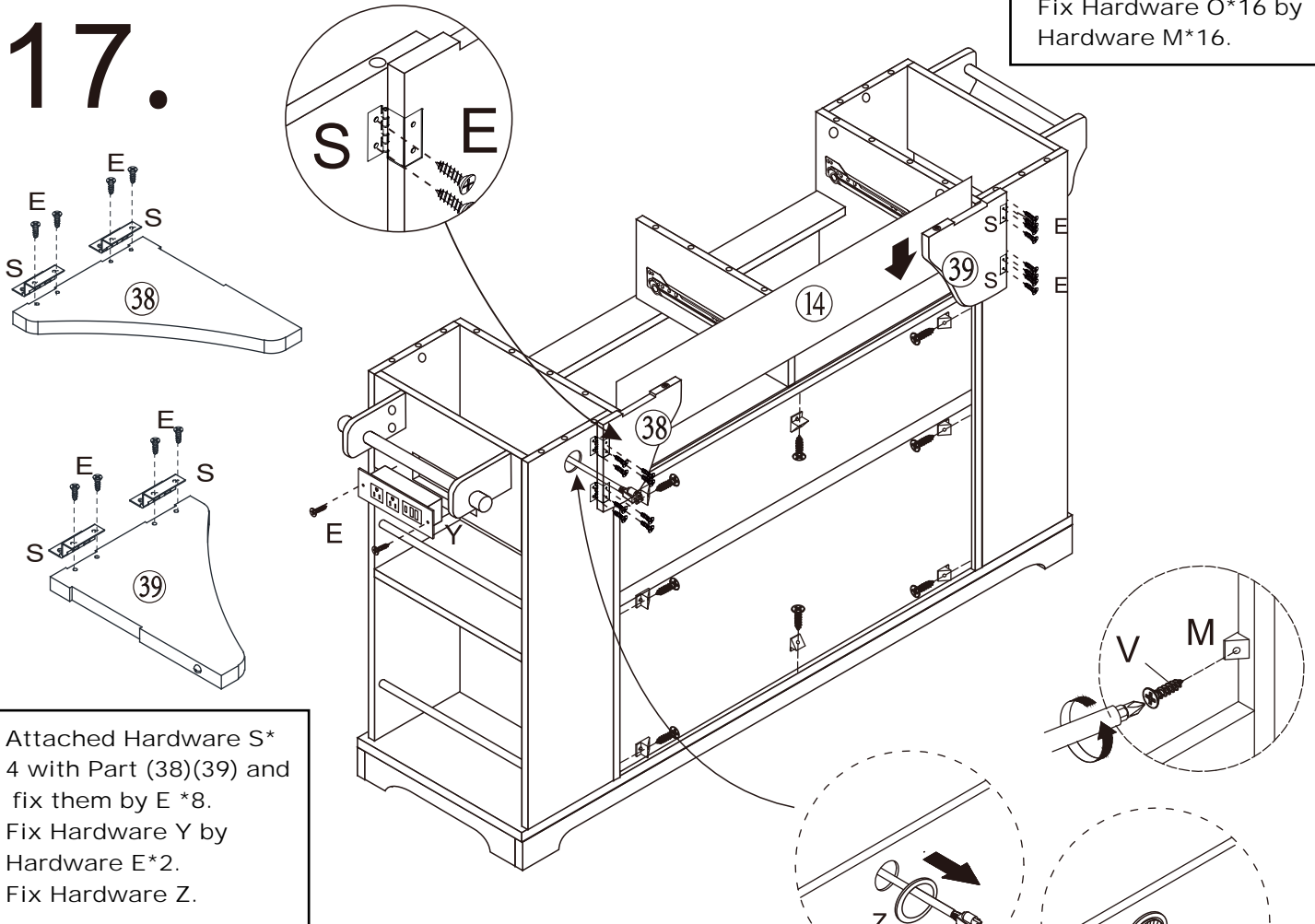
Loosen screw "a" and adjust door, if the door can not be adjusted, please loosen screw "b", then try again. Tighten screw "a" and "b".








To adjust side ways.

Turning the screw "b" on BOTH hinges on each door.

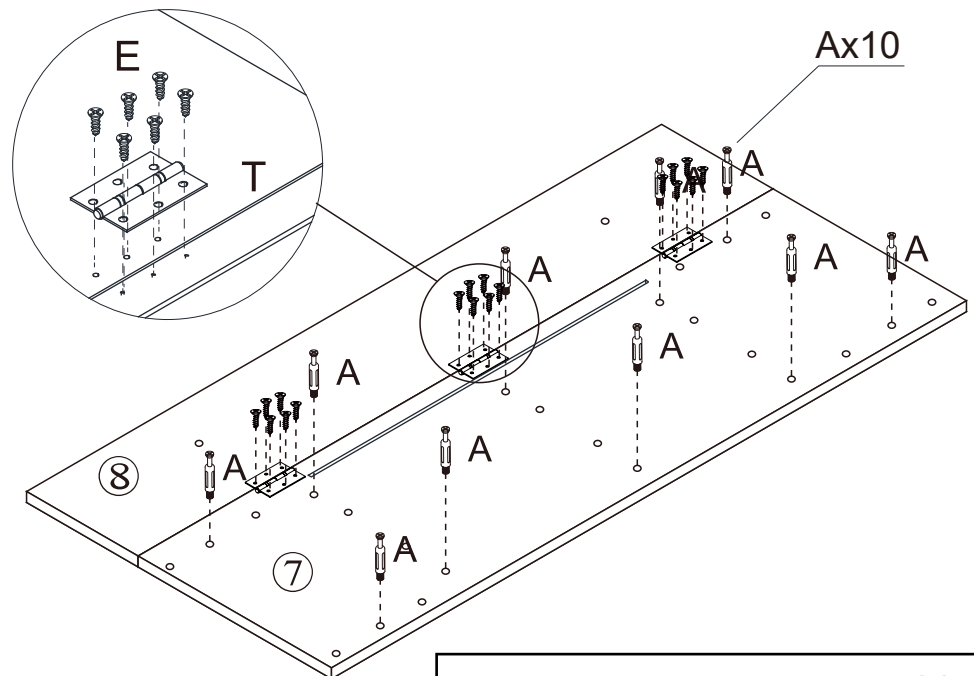
17.






Attached Hardware S* 4 with Part (38)(39) and fix them by E *8.
 Fix Hardware Y by Hardware E*2.
 Fix Hardware Z.

Ex18 	Sx4 	Mx8 	Vx8 	Yx1 
---	--	--	--	--

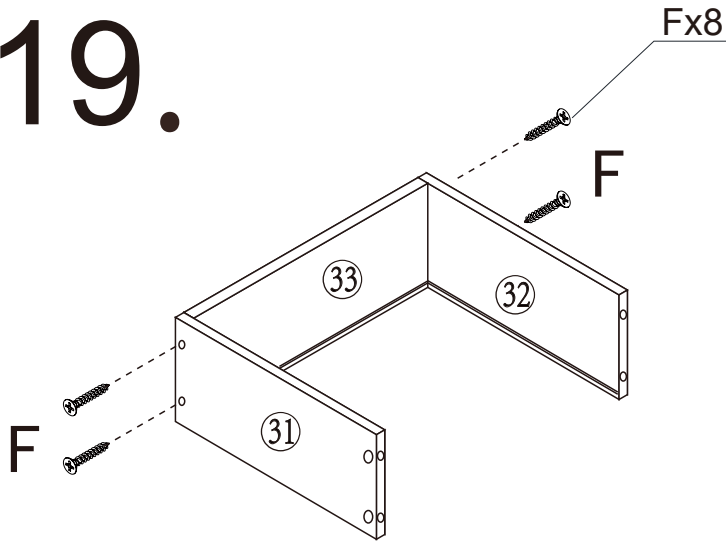
18.



Attached Hardware A with Part(7)
 Fix Part(7)(8) by Hardware T*3 E*18.

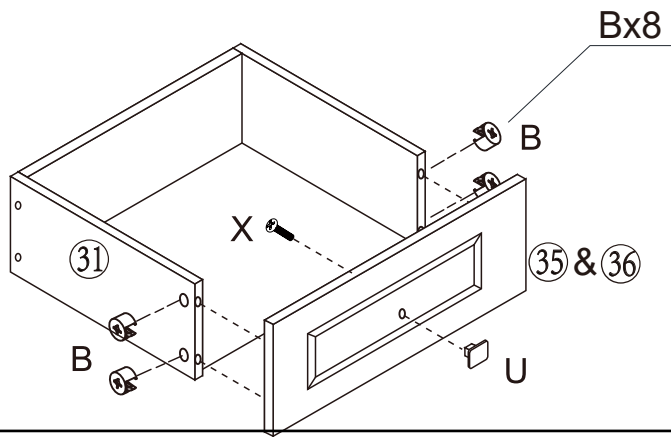
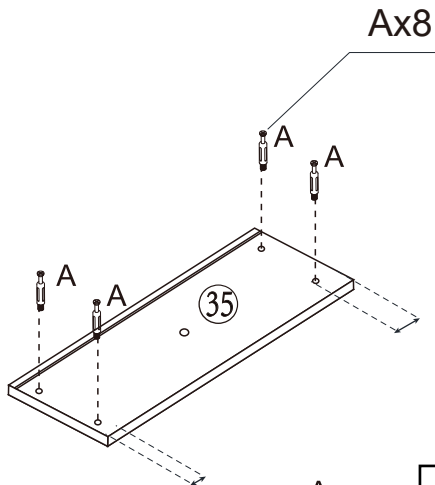
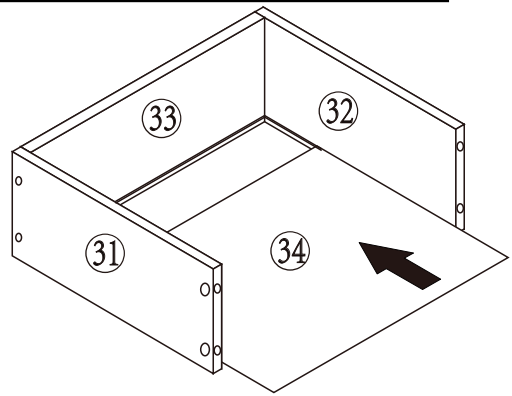
Ax10 	Ex18 	Tx3 
---	---	--

19.

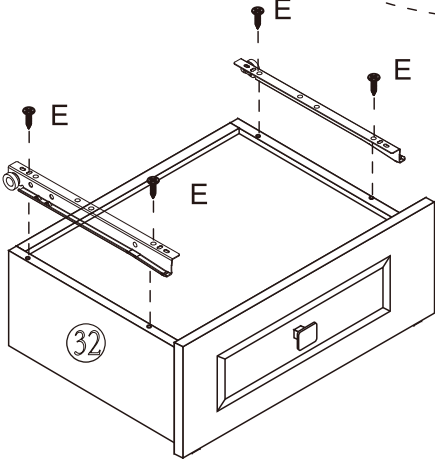
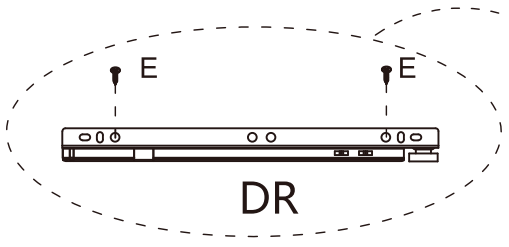
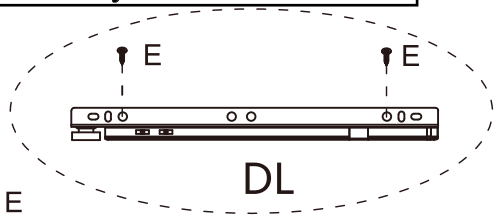
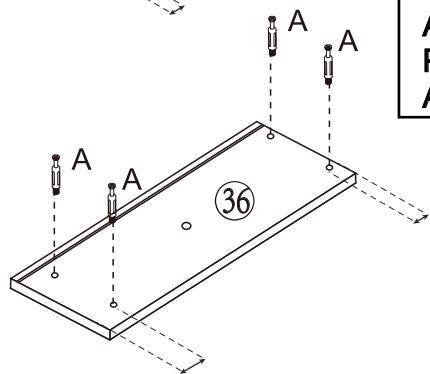


Attached Part (31)&(32) with Part (33), fix by Hardware F*8, Then, insert Part (34)

X2



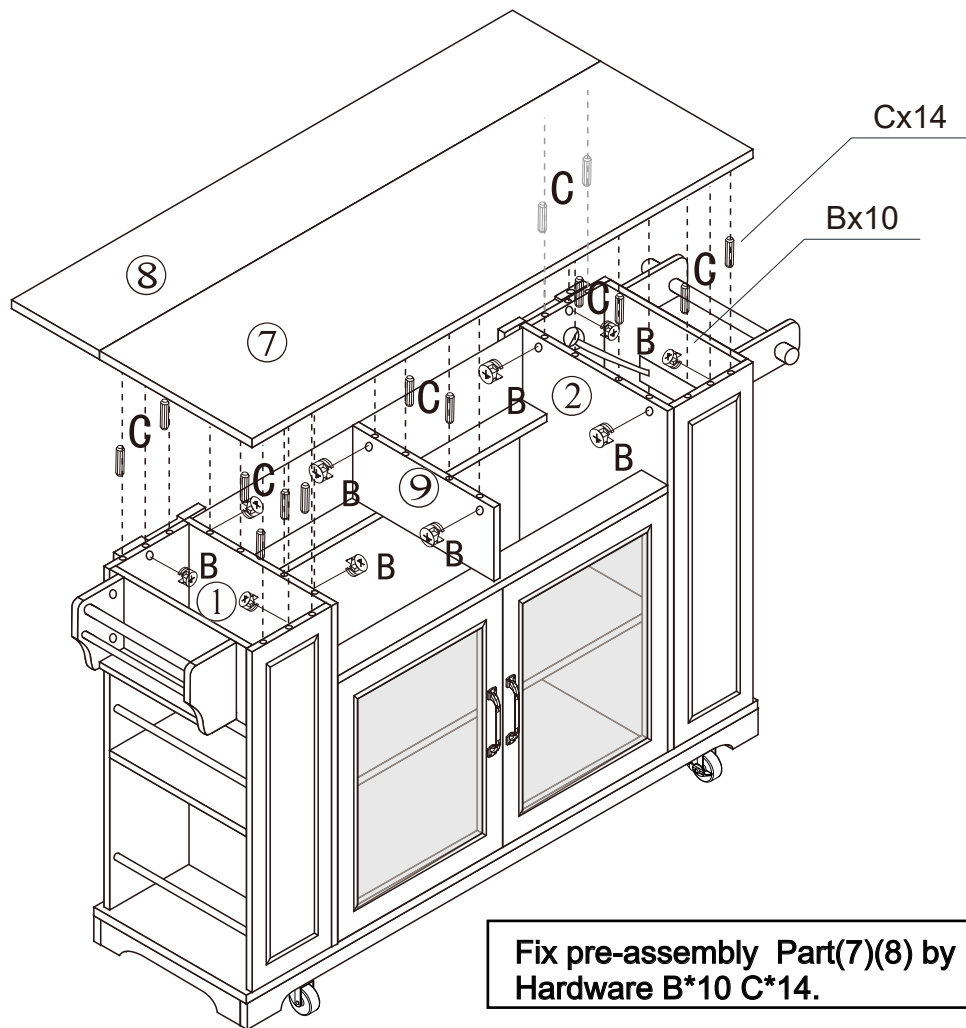
Attached pre-assembly Part(31)(32) with Part (1)&(2) fix them by Hardware B*8 . Attached Hardware U and fix it by Hardware X.




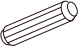
Attached Hardware DR with Part (32) and fix it by Hardware E*2. Attached Hardware DL with Part (31) and fix it by Hardware E*2.

Ax8	Bx8	Fx8	Ex8	Ux2	Xx4	DR x2	DL x2

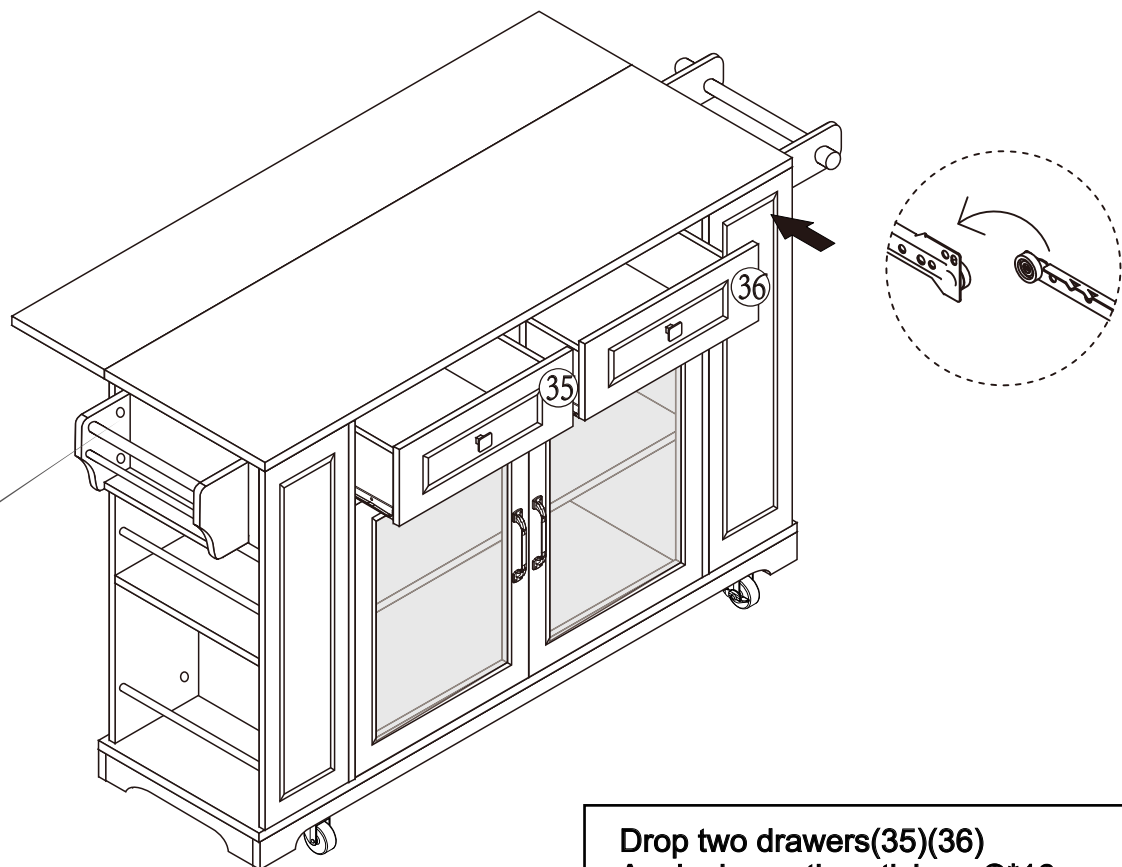
20.




Fix pre-assembly Part(7)(8) by Hardware B*10 C*14.

Bx10	Cx14
	

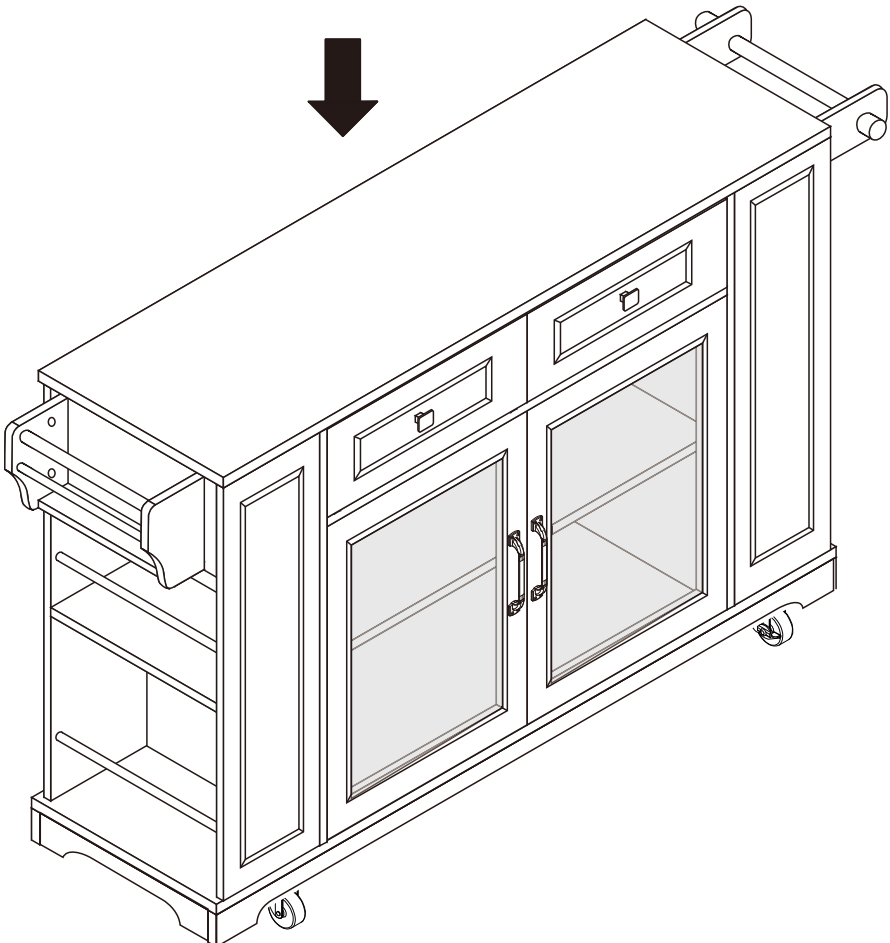
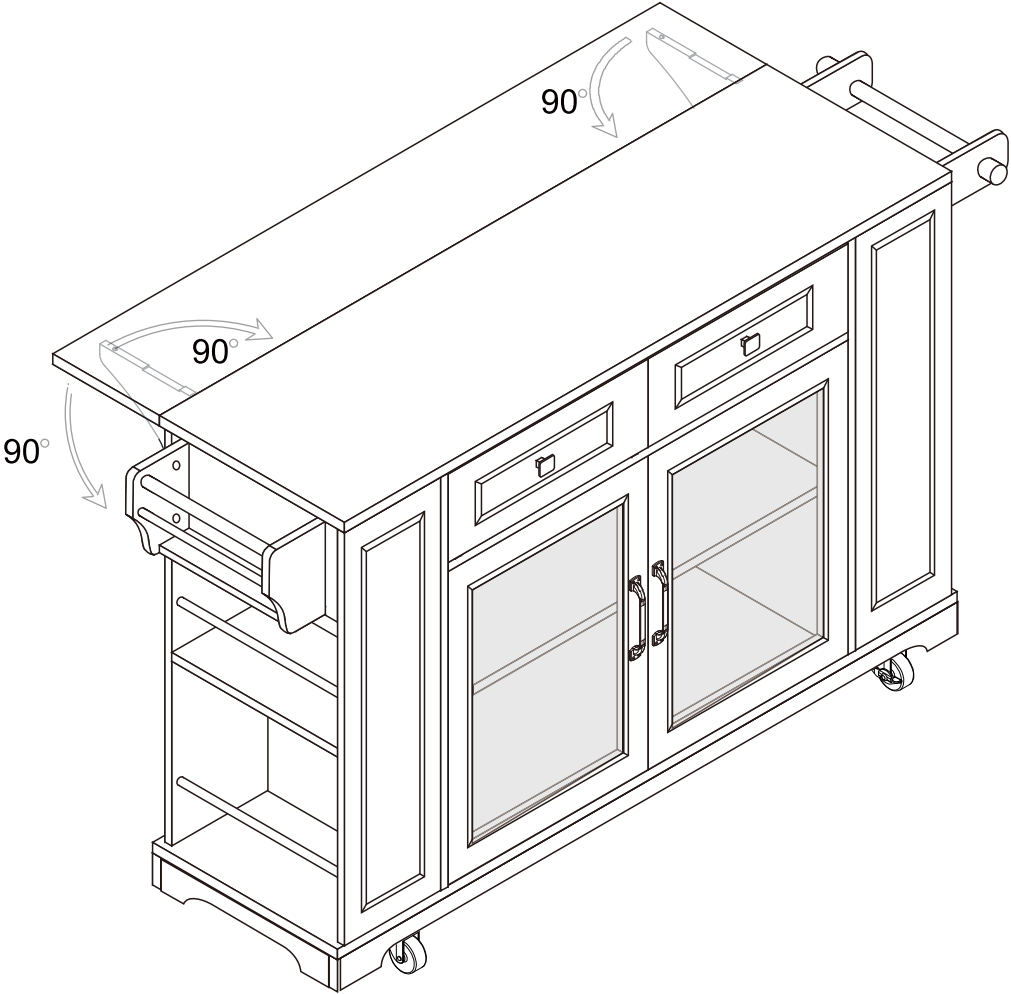
21.



Drop two drawers(35)(36)
Apply decorative stickers O*16

0 x 16


22.



Certificate No. : HUAX250804085KC

huaxiang

Supplier's Declaration of Conformity

Certificate's Holder : Hongyu Shanwei Hongyu Intelligent Technology Co., Ltd
Address : No. 20, Pengxing Nei Road, Lujia Avenue, Jiazi Town, Lufeng City, Guangdong Province

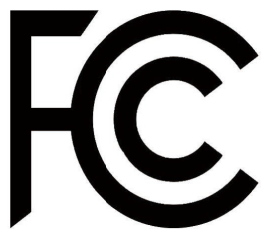
Manufacturer : Hongyu Shanwei Hongyu Intelligent Technology Co., Ltd
Address : No. 20, Pengxing Nei Road, Lujia Avenue, Jiazi Town, Lufeng City, Guangdong Province

Product Name : Tabletop recessed sockets
Product Model (S) : R1, R2
Trade Mark : N/A

Related Standard(s) : FCC Part 15 subpart B Class B(2017).
Measurement Procedure ANSI C63.4:2014.

Report No. : HUAX250804085KR

This is the results of test that was carried out from the submitted type-sample of a product in conformity with the specification of the respective standards. The certificate holder has the right to fix the FCC-mark for EMI on the product complying with the inspection sample

**Shenzhen Huaxiang Testing Co., Ltd**1st Floor, Building A1, No. 2082 Jincheng Road, Shajing Street, Bao'an District, Shenzhen City, Guangdong Province
ChinaWeb.: [Http:// www.hua-x.com](http://www.hua-x.com)E-mail: huaxiang@hua-x.com Tel.: +86-0755-23010432