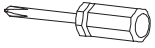


# Coffee Table Installation

Tools You Will Need: Tools You May Need



philis head screwdrier  
rewuired of assembly  
(not include)



hammer  
(not include)



electric drill  
(not include)

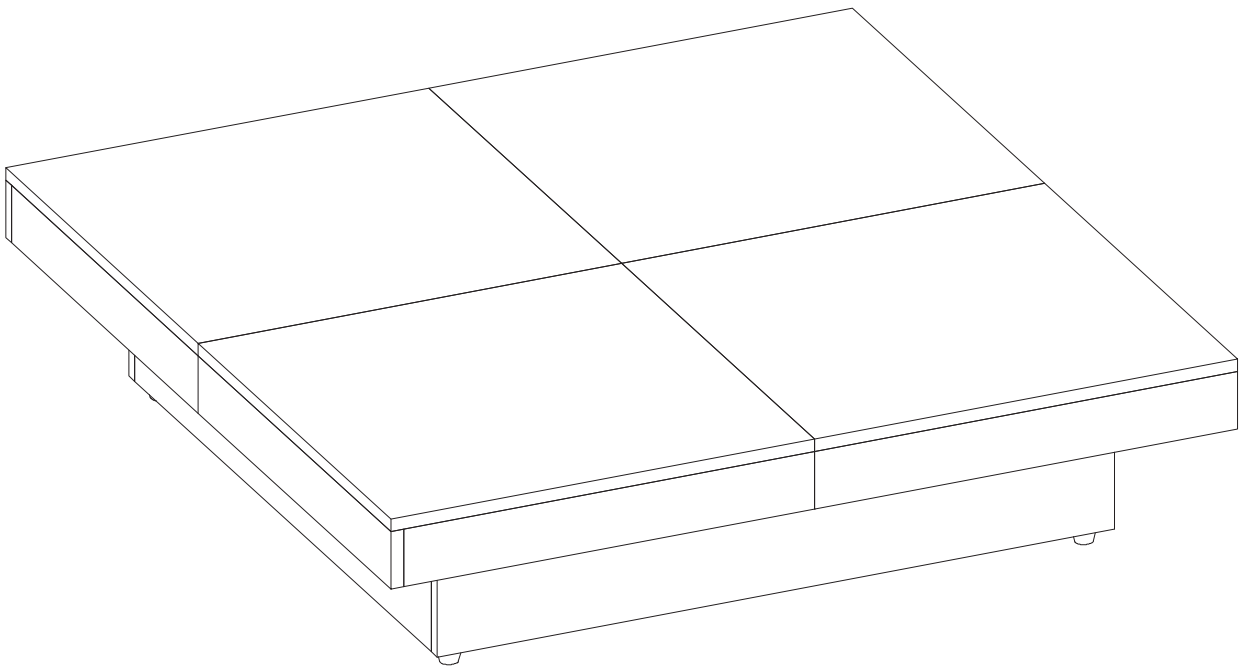
## Before the Installation

1. Do not throw away packing materials until assembly is complete for small parts may come loose inside the carton during shipment. If parts are missing, please contact us.
2. Assemble this item on a soft surface, such as carpet to protect the finish.
3. Proper assembly of this item requires 2 people.
4. Periodically check to ensure that all connections are tight.
5. It is recommended that installation of the product be done by a qualified licensed furniture assembler.

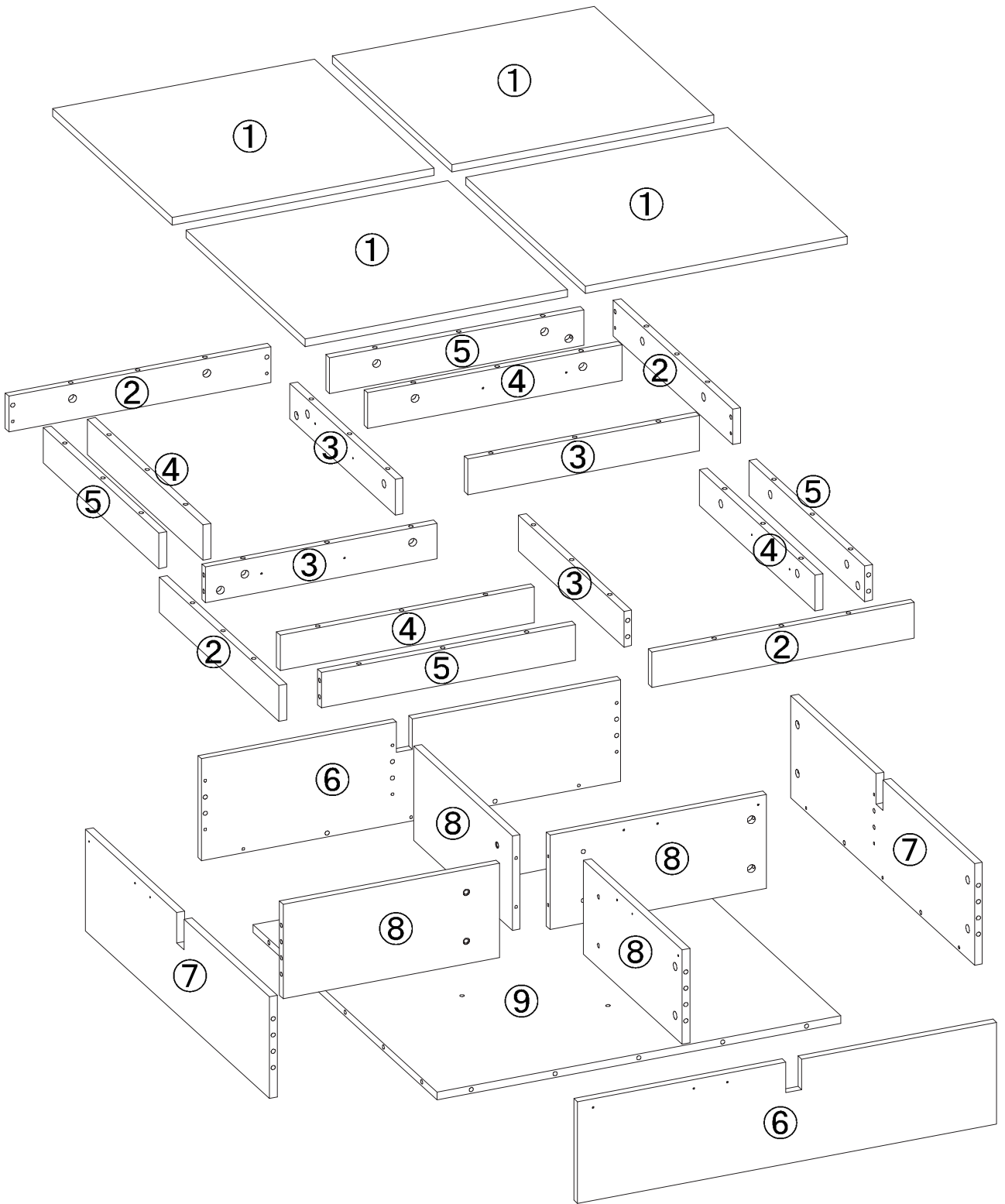
## Care and Cleaning

1. To protect the finish, avoid use chemicals and household cleaners.
2. All hot serving dishes should be placed on a pad.
3. Any liquid spilled onto the top should be cleaned up immediately with a damp cloth.

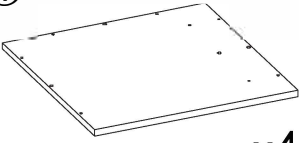

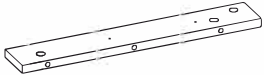
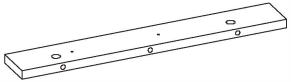
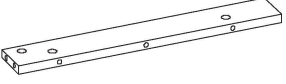
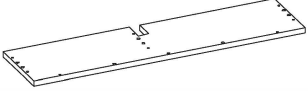
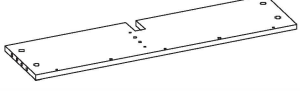
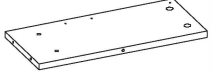
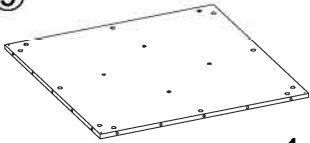
## Parts List













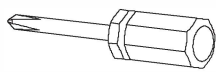
**Note:** Do not fully tighten all bolts until all parts are in place. Failure to follow these instructions may cause the bolt to misalign during assembly.



# Parts List

 <b>①</b> <b>x4</b>	 <b>②</b> <b>x4</b>	 <b>③</b> <b>x4</b>	 <b>④</b> <b>x4</b>
 <b>⑤</b> <b>x4</b>	 <b>⑥</b> <b>x2</b>	 <b>⑦</b> <b>x2</b>	 <b>⑧</b> <b>x4</b>
 <b>⑨</b> <b>x1</b>			

<b>A</b>  <b>6x35mm</b> <b>x68</b>	<b>B</b>  <b>φ15x12mm</b> <b>x68</b>	<b>C</b>  <b>φ8x30mm</b> <b>x48</b>	<b>D</b>  <b>6x40mm</b> <b>x12</b>	<b>E</b>  <b>M4</b> <b>x1</b>
<b>F</b>  <b>340mm</b> <b>x8</b>	<b>G</b>  <b>340mm</b> <b>x8</b>	<b>H</b>  <b>M4x12mm</b> <b>x48</b>	<b>I</b>  <b>φ30x20mm</b> <b>x4</b>	<b>J</b>  <b>M4x 20mm</b> <b>x4</b>



philis head screwdrier  
 rewquired of assembly  
 (not include)

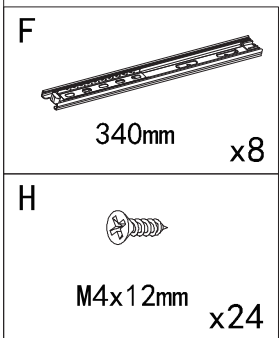
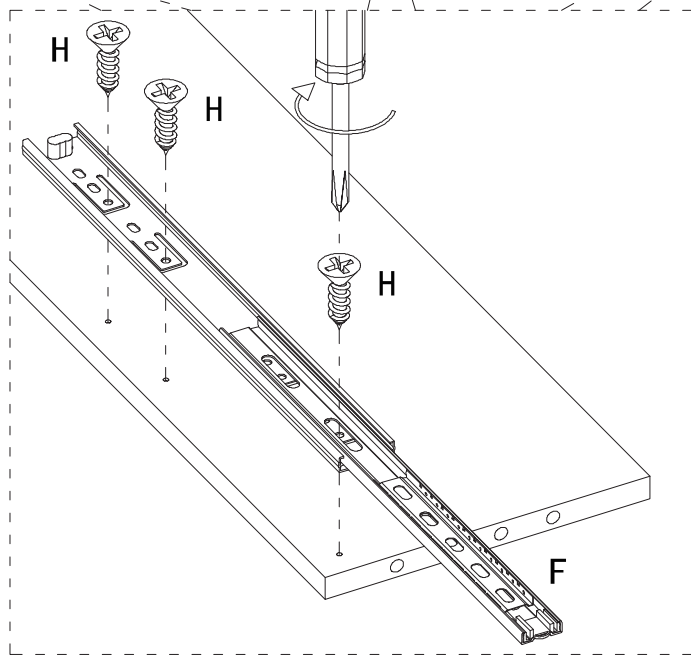
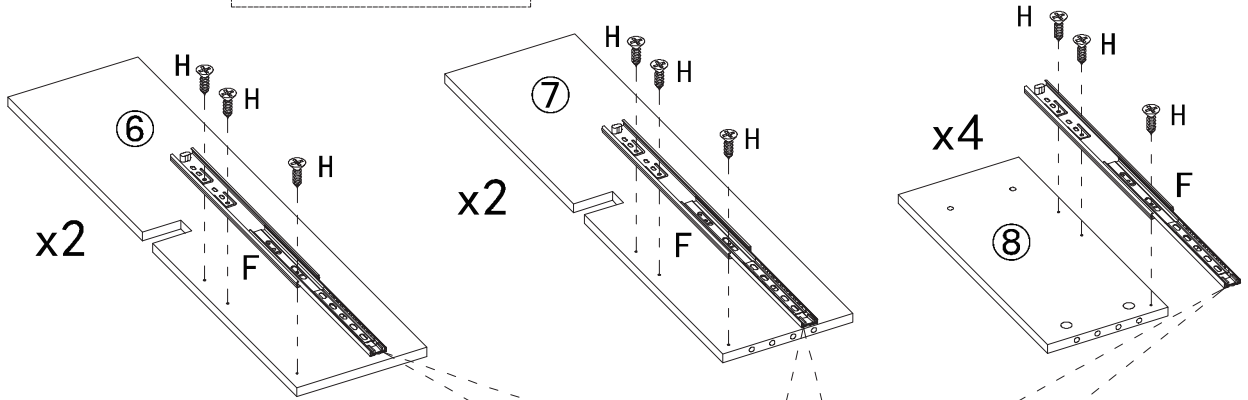
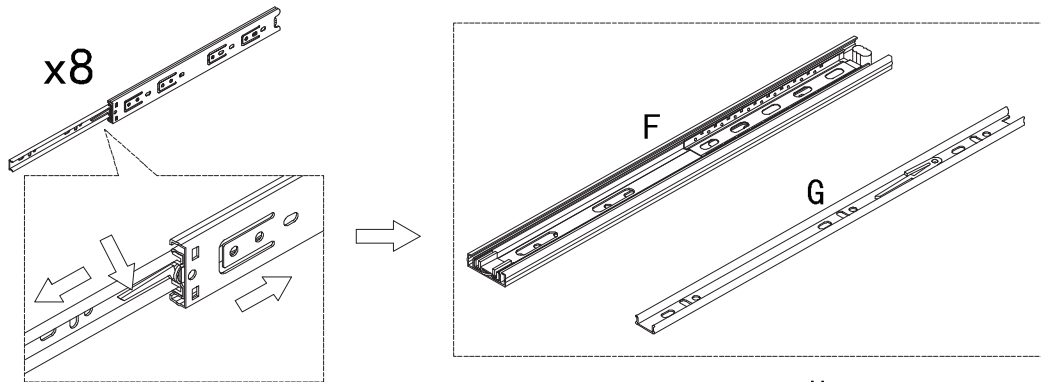


hammer  
 (not include)

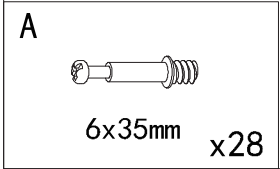
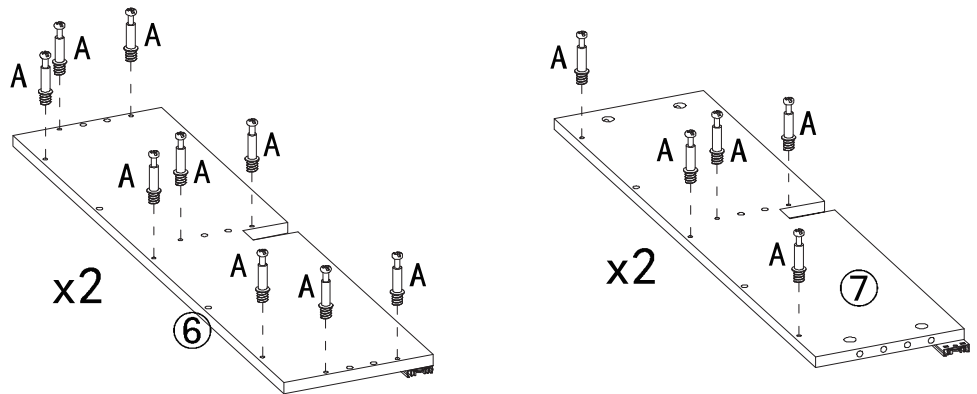


electric drill  
 (not include)

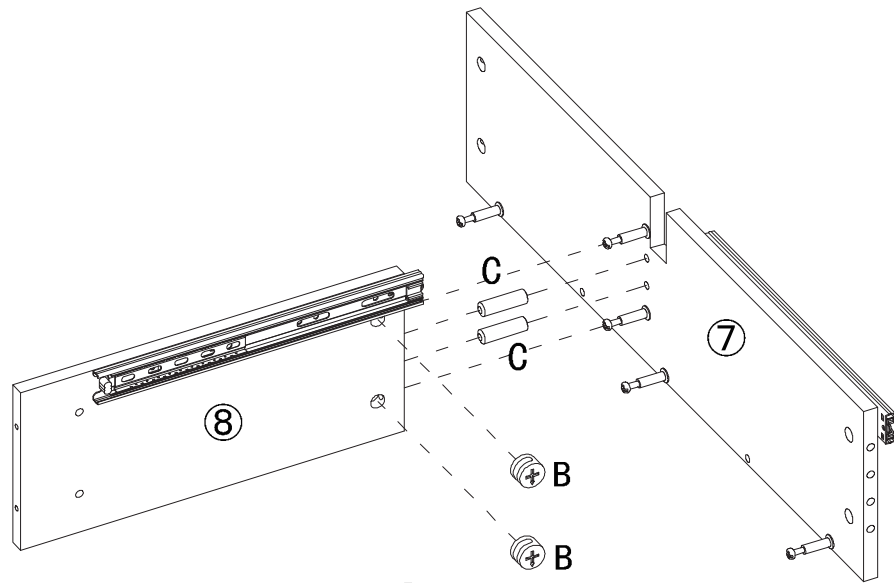
# STEP 1



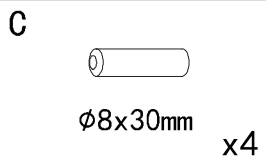
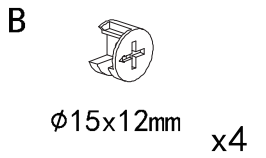
# STEP 2



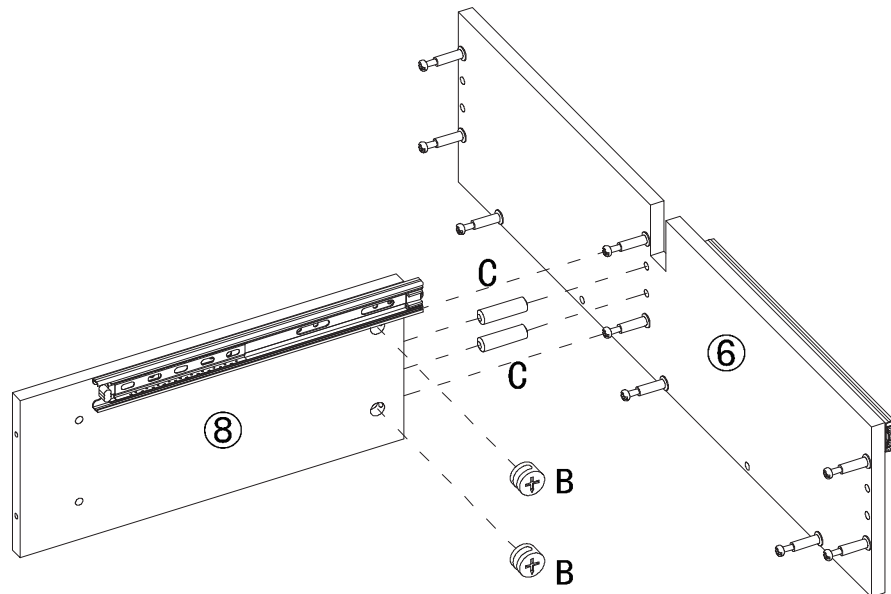
### STEP3



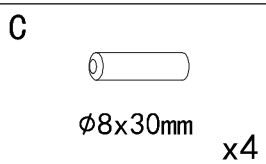
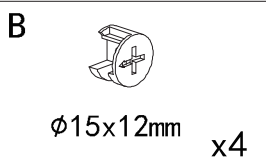
x2



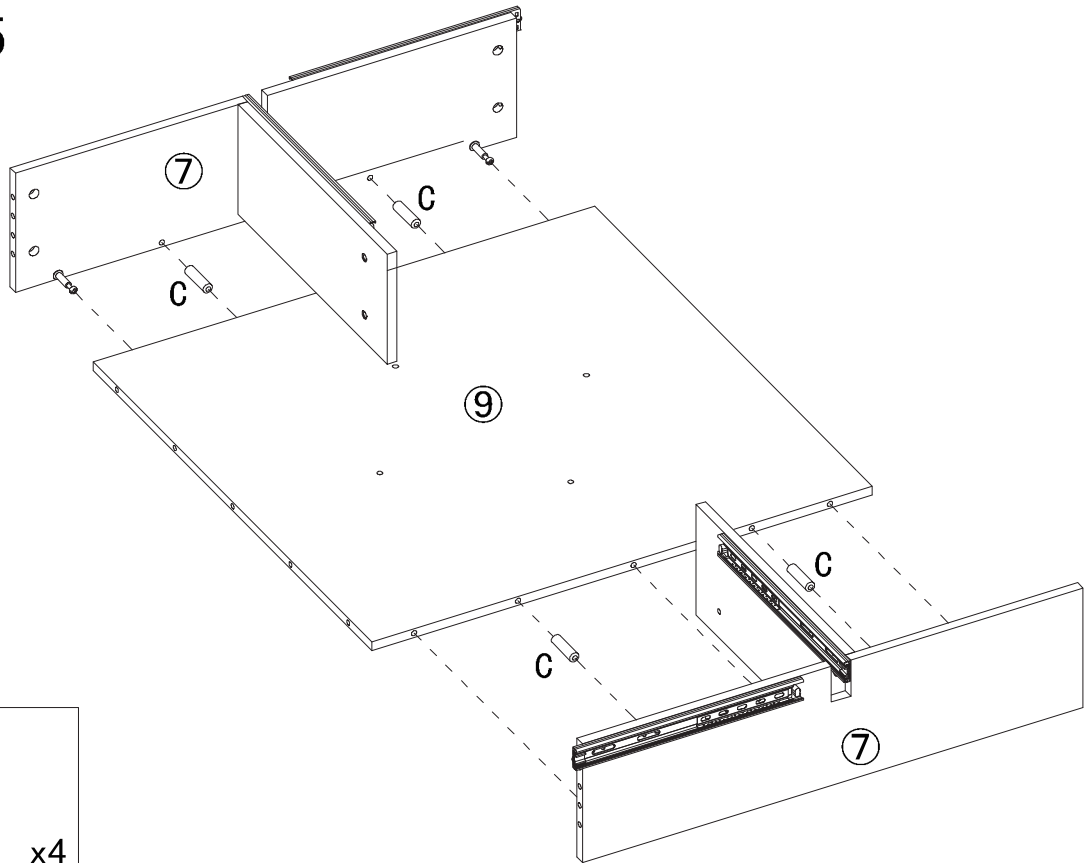
### STEP4




x2



# STEP5

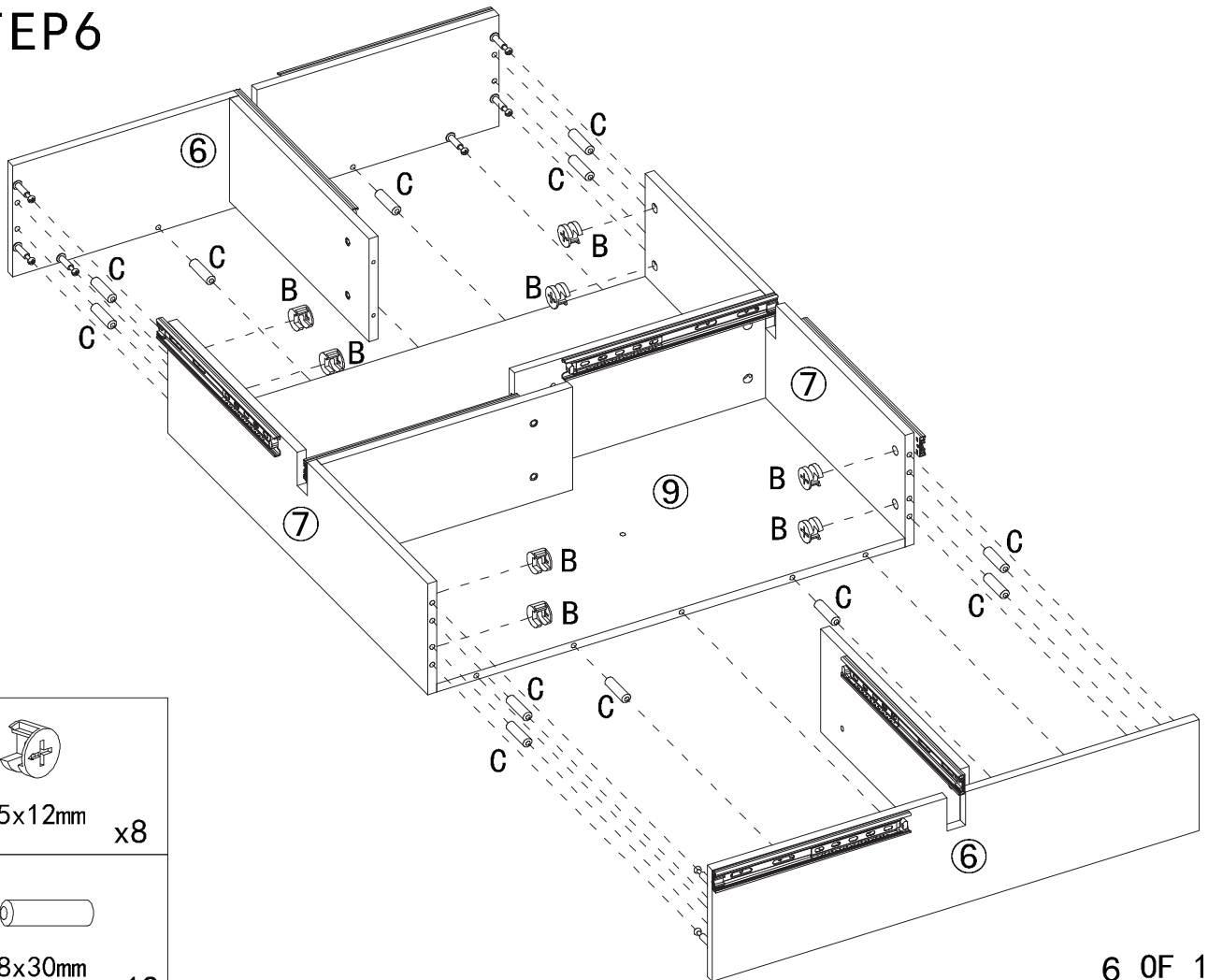


**C**




$\phi 8 \times 30 \text{mm}$  x4

# STEP6




**B**



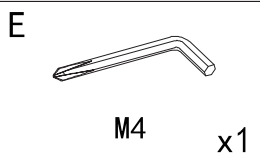
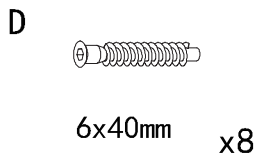
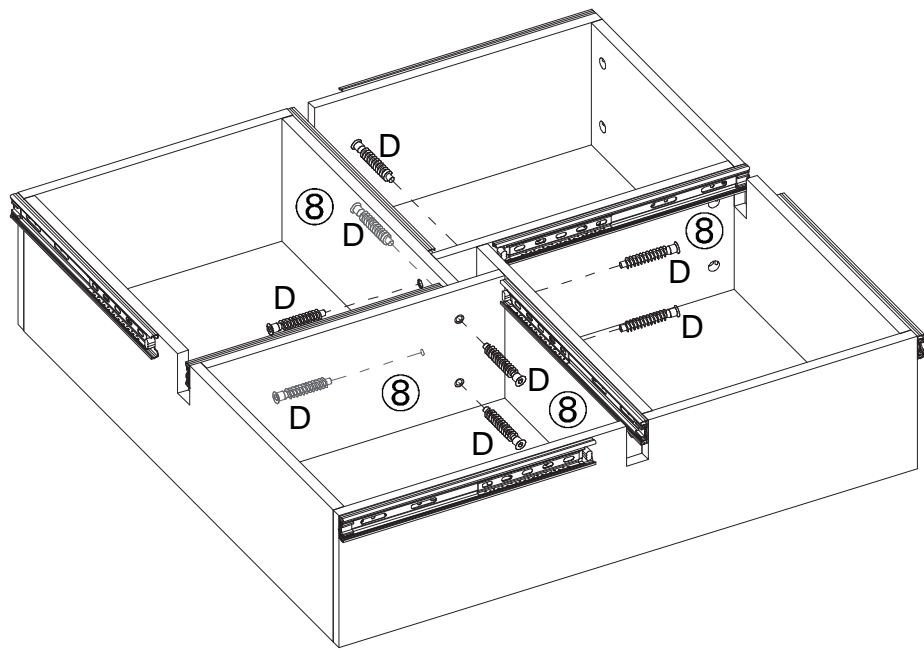
$\phi 15 \times 12 \text{mm}$  x8

**C**

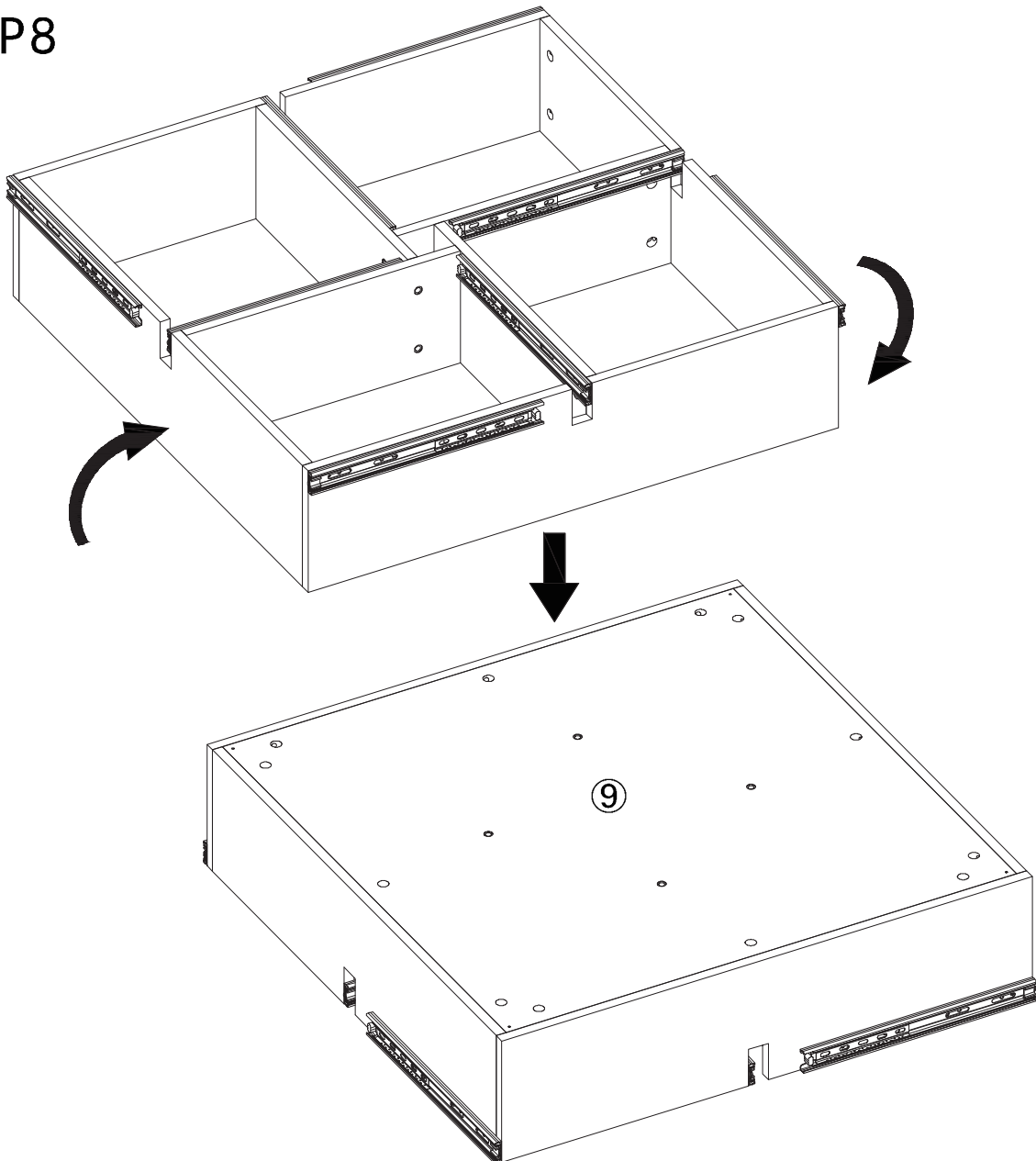


$\phi 8 \times 30 \text{mm}$  x12

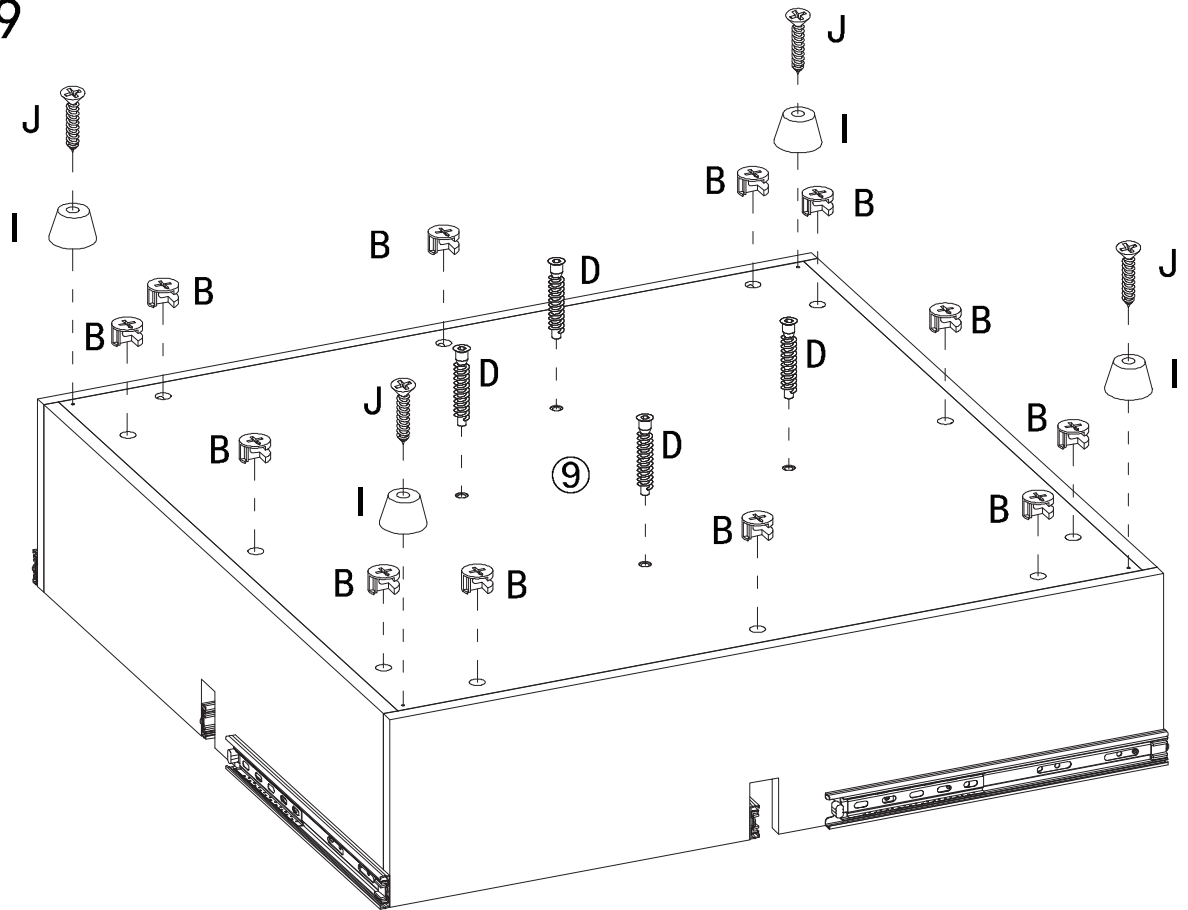
## STEP 7

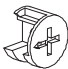



## STEP 8




# STEP 9



**B**  
  
 ø15x12mm x12

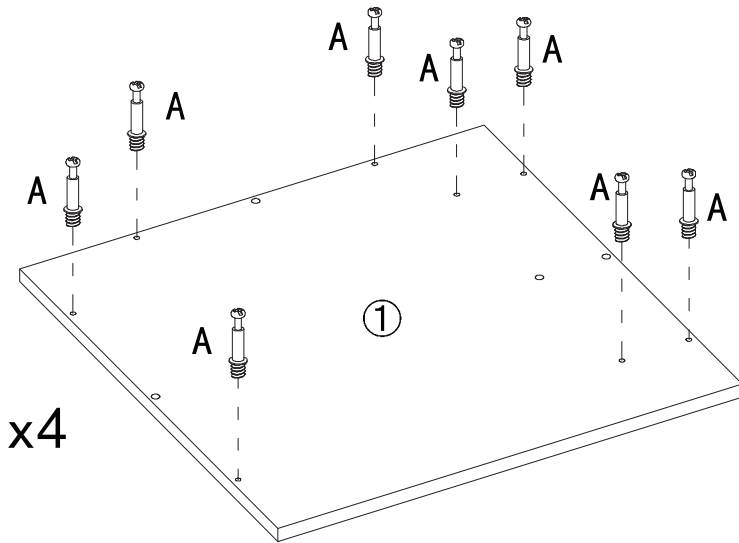
**D**  
  
 6x40mm x4

**E**  
  
 M4 x1


**I**  
  
 ø30x20mm x4

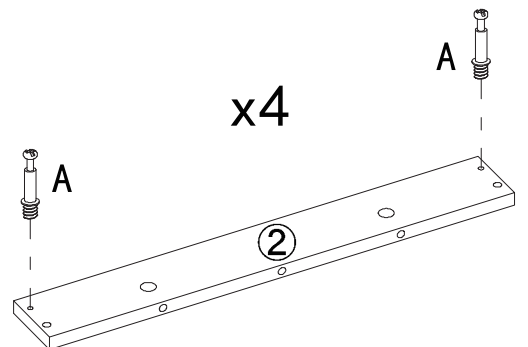
**J**  
  
 M4x 20mm x4

# STEP 10



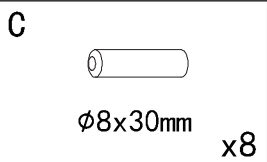
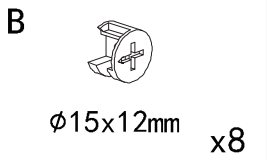
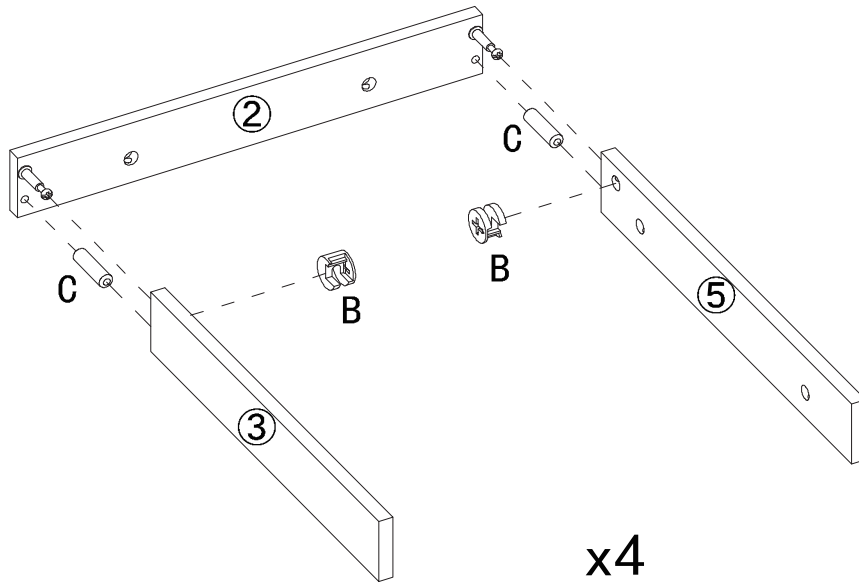
x4

**A**  
  
 6x35mm x40

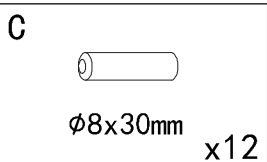
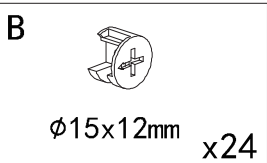
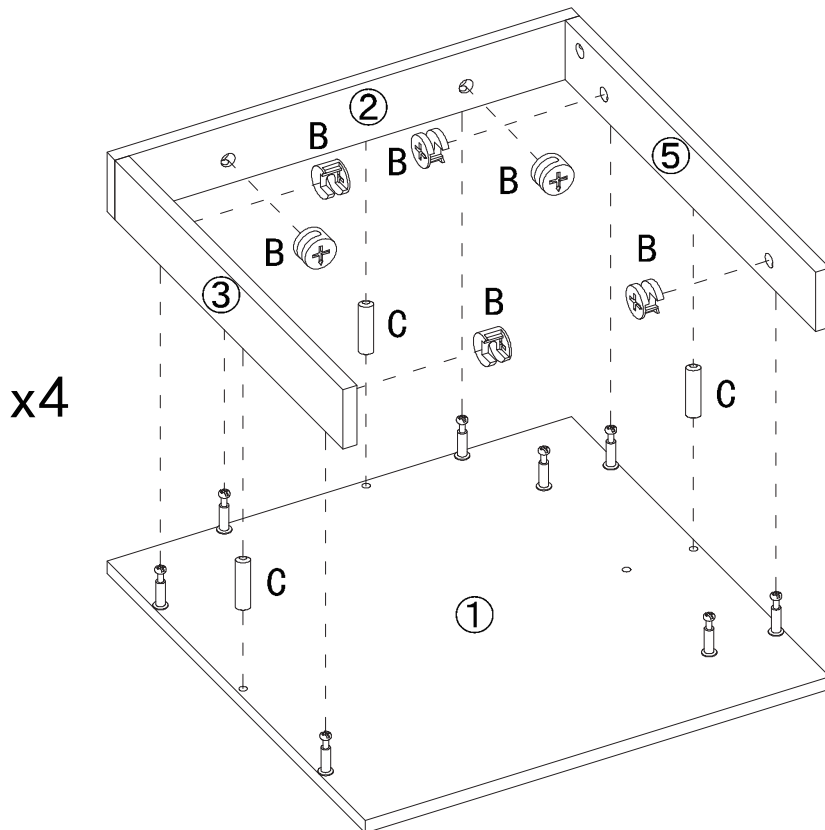


x4

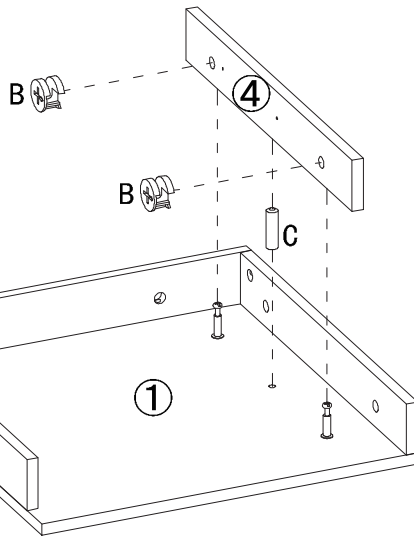
# STEP 11





# STEP 12

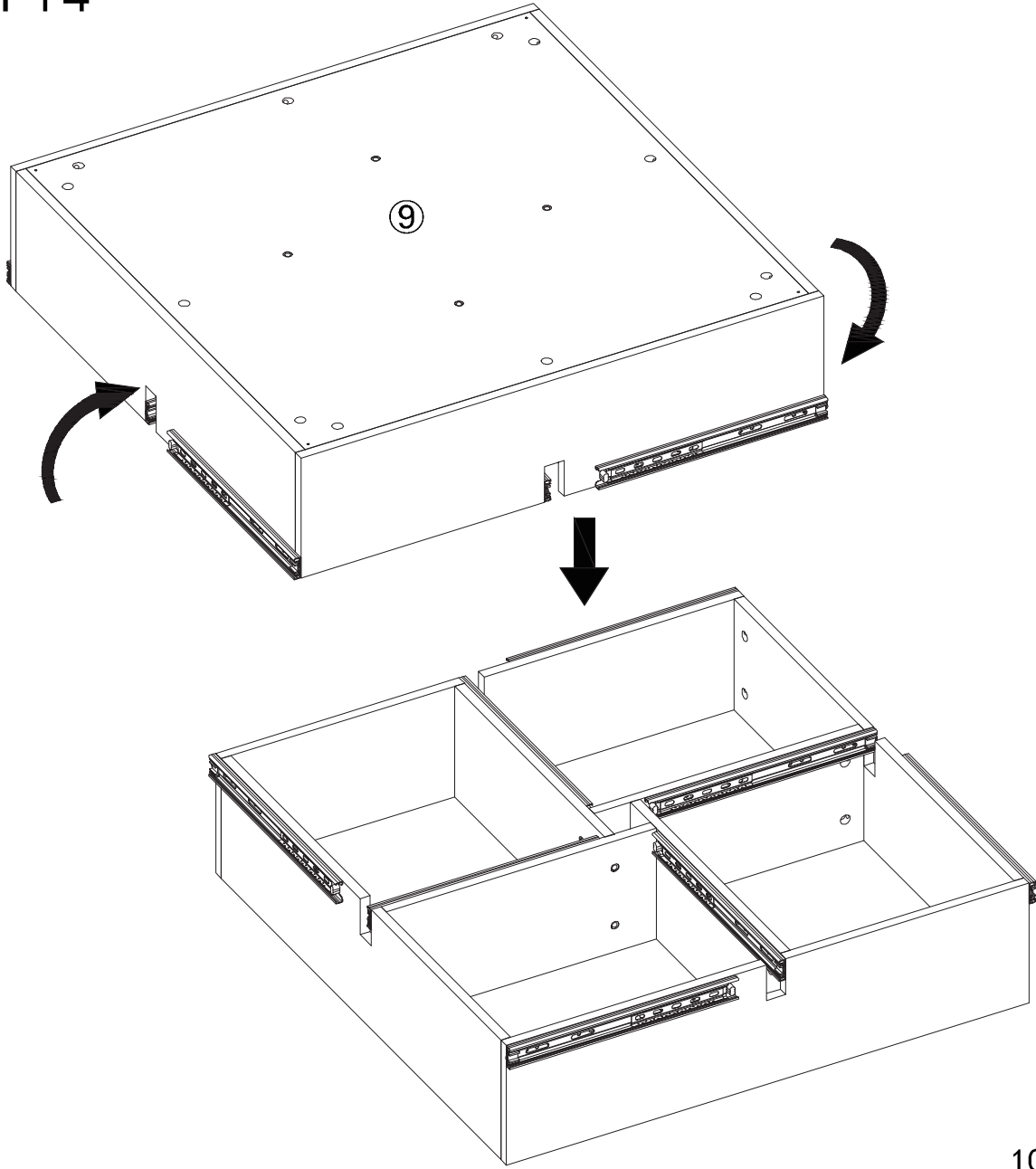


# STEP 13

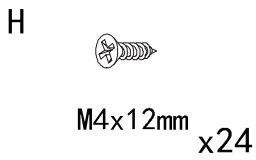
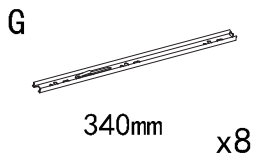
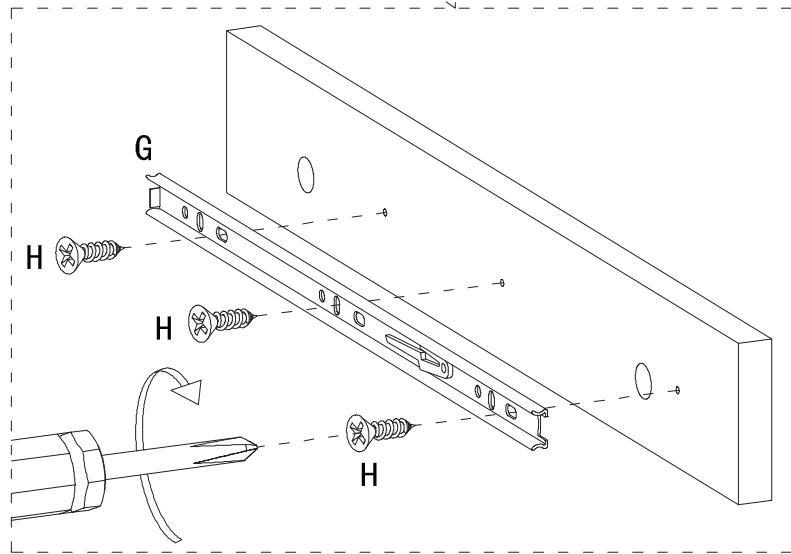
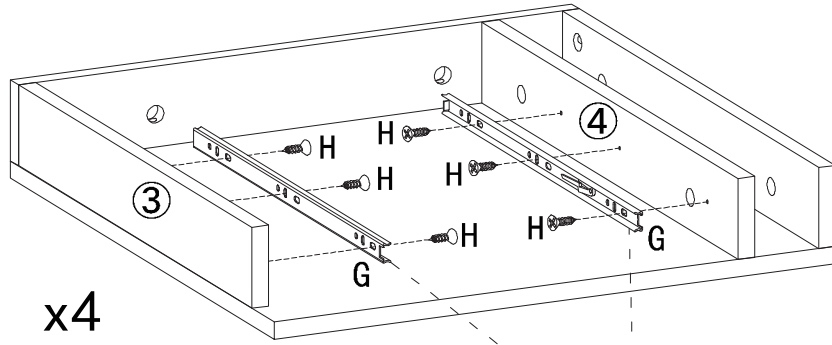


<b>B</b>	
	Ø15x12mm x8
<b>C</b>	
	Ø8x30mm x4

# STEP 14



# STEP 15



# STEP 16

