

INSTRUCTION MANUAL

Email:service@delarkhome.com

WARNING

- You need a helper to finish the installation.
- DO NOT let children climb the product.
- To avoid suffocation danger, keep small parts and package materials away from children.
- Adult assembly required. Keep children away during the installation.
- You could use "corner guard" to protect children from getting hurt by the product's edges.
- Carefully separate and identify all the parts included in your package. Confirm that you have all the components listed in the instruction manual. If any parts were missing, broken or wrong delivered, contact us immediately, we are here to help you.

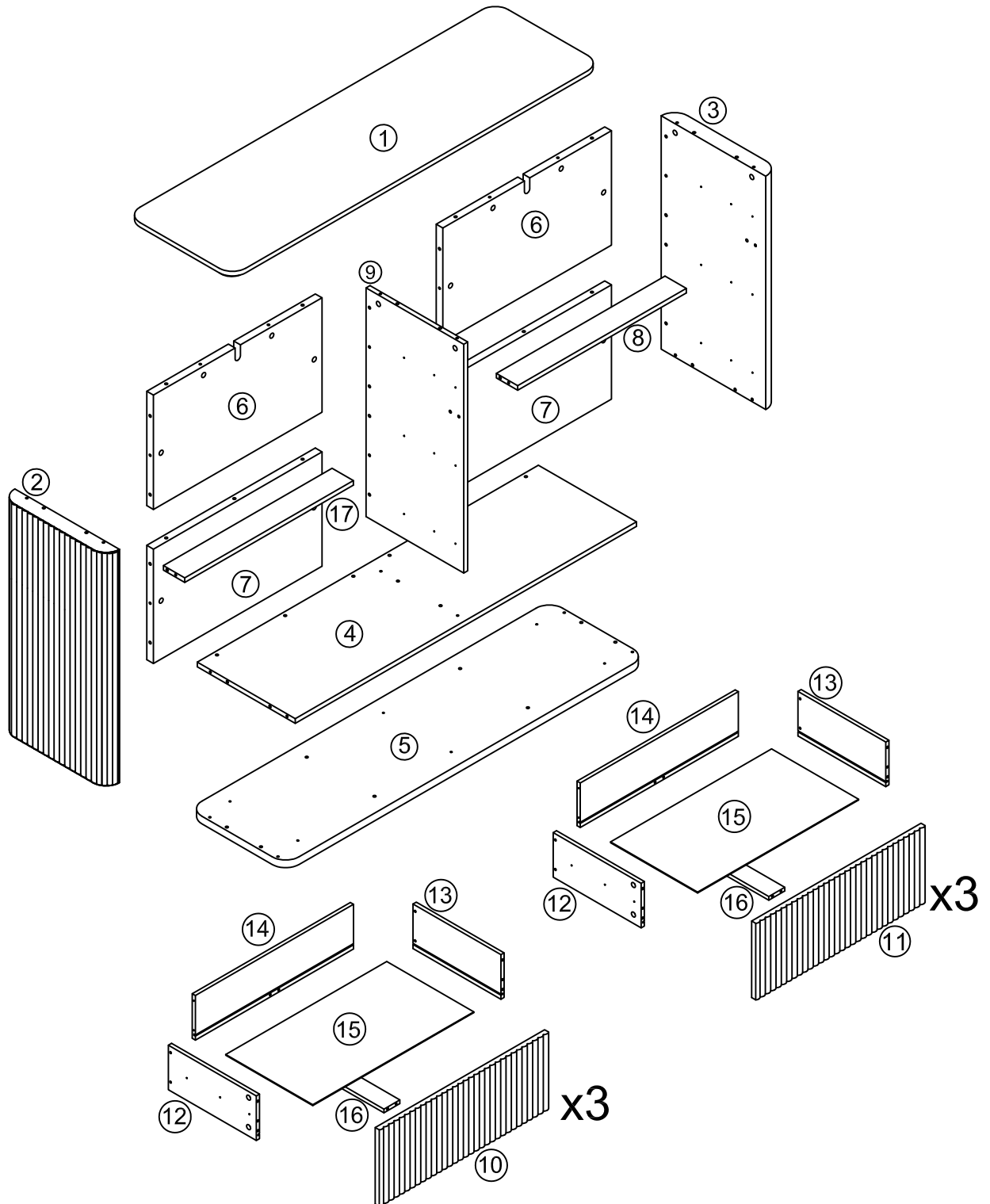
Assembly Instructions

Before beginning the assembly process, please read and save these instructions for reference.

Following these guidelines will ensure a smooth and successful assembly of your product.

- **Work Surface** : To prevent any scratches or damage to the product, assemble it on a soft mat or a similar protective surface. This will provide a cushioned area for the components and protect the surfaces from unwanted marks.
- **Step - by - Step Assembly** : Follow the assembly instructions provided, proceeding one step at a time. Take care to understand each step properly before proceeding to the next one. This sequential approach ensures that the assembly is done correctly and minimizes the chance of errors.
- **Proper Screw Seating** : When attaching screws and nuts, it is essential not to fully tighten them until all screws are correctly seated. By partially tightening each screw and nut initially, you can ensure that they are aligned properly and fit securely before final tightening.
- **Avoid Over - Tightening** : While each screw and nut should be tightened correctly, it is crucial not to over - tighten them. Over - tightening can cause damage to the product or compromise its structural integrity. Use the appropriate amount of force to secure the components without excessive tightening.

Parts List

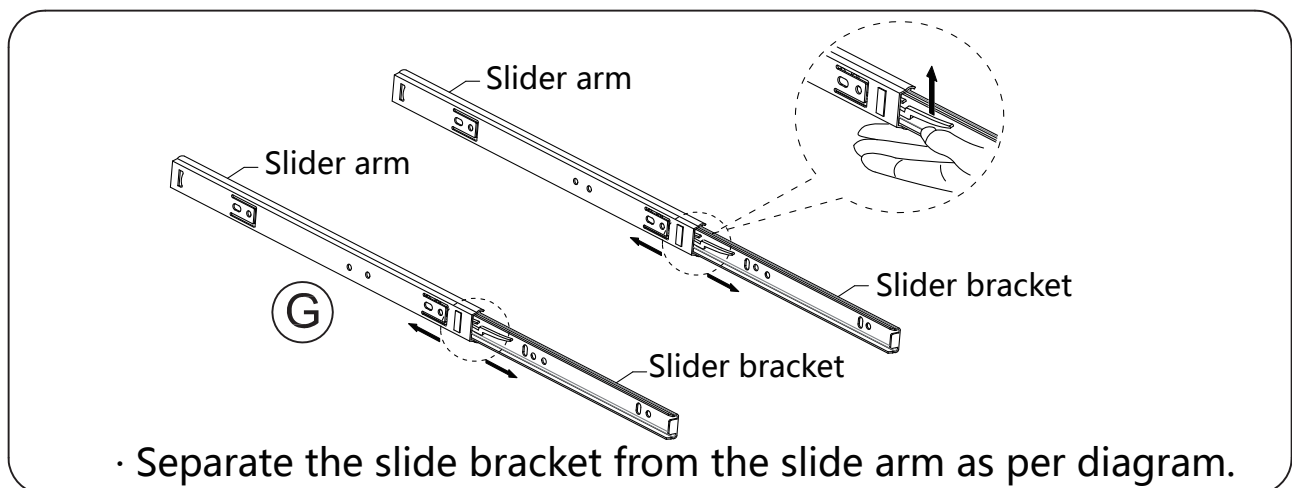
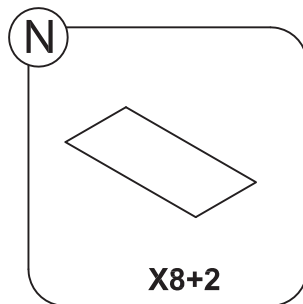
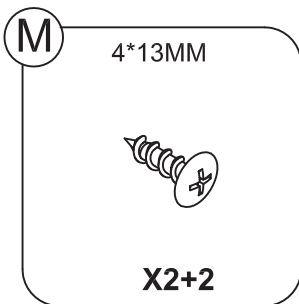
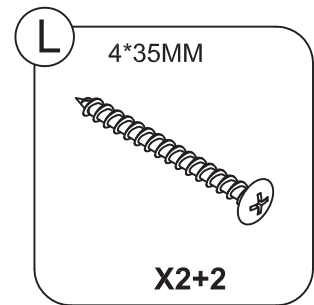
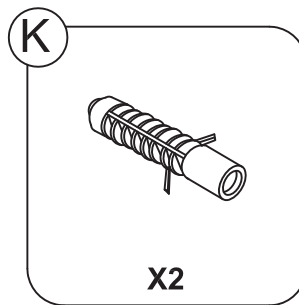
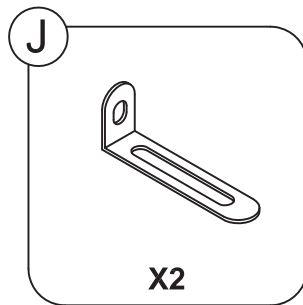
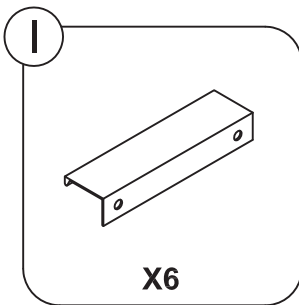
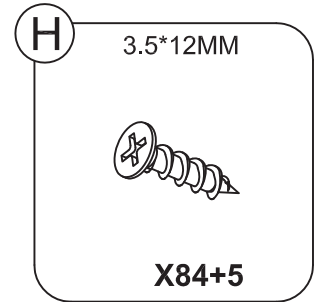
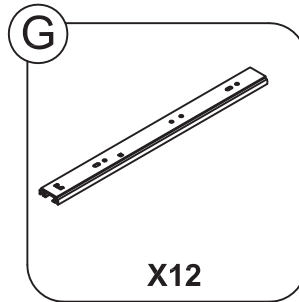
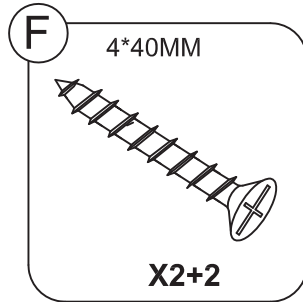
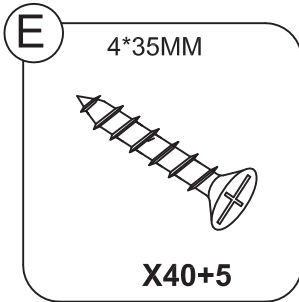
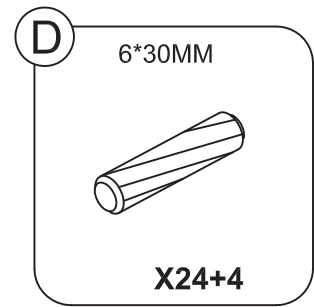
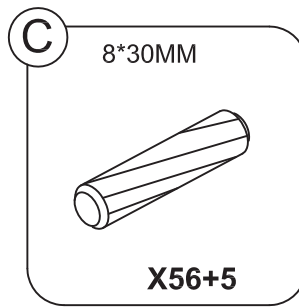
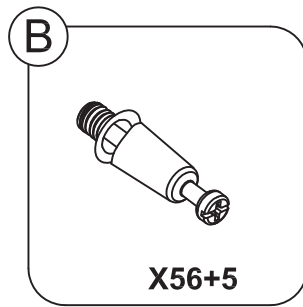
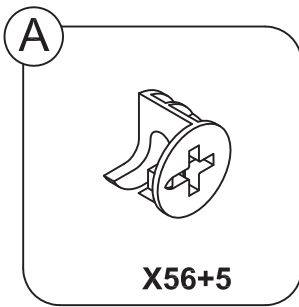


TOOLS
REQUIRED



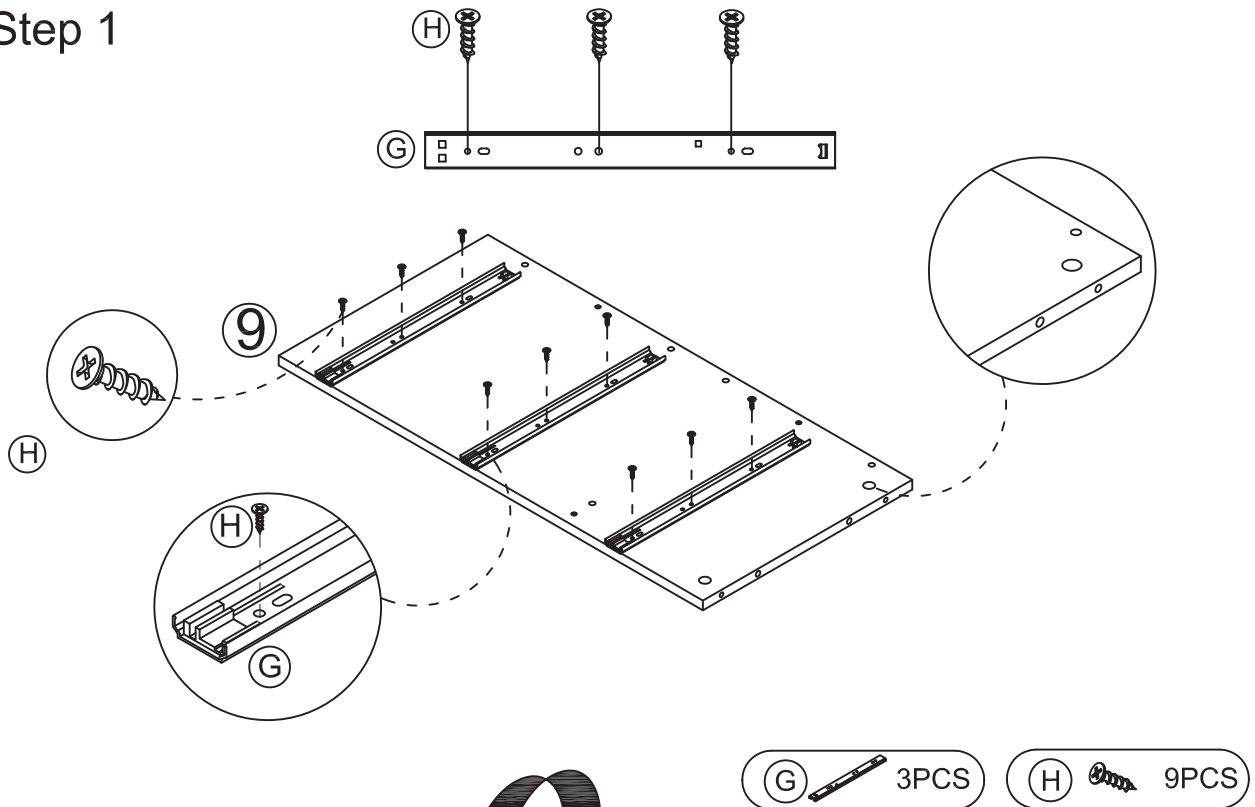
2 PERSON
ASSEMBLY

Hardware



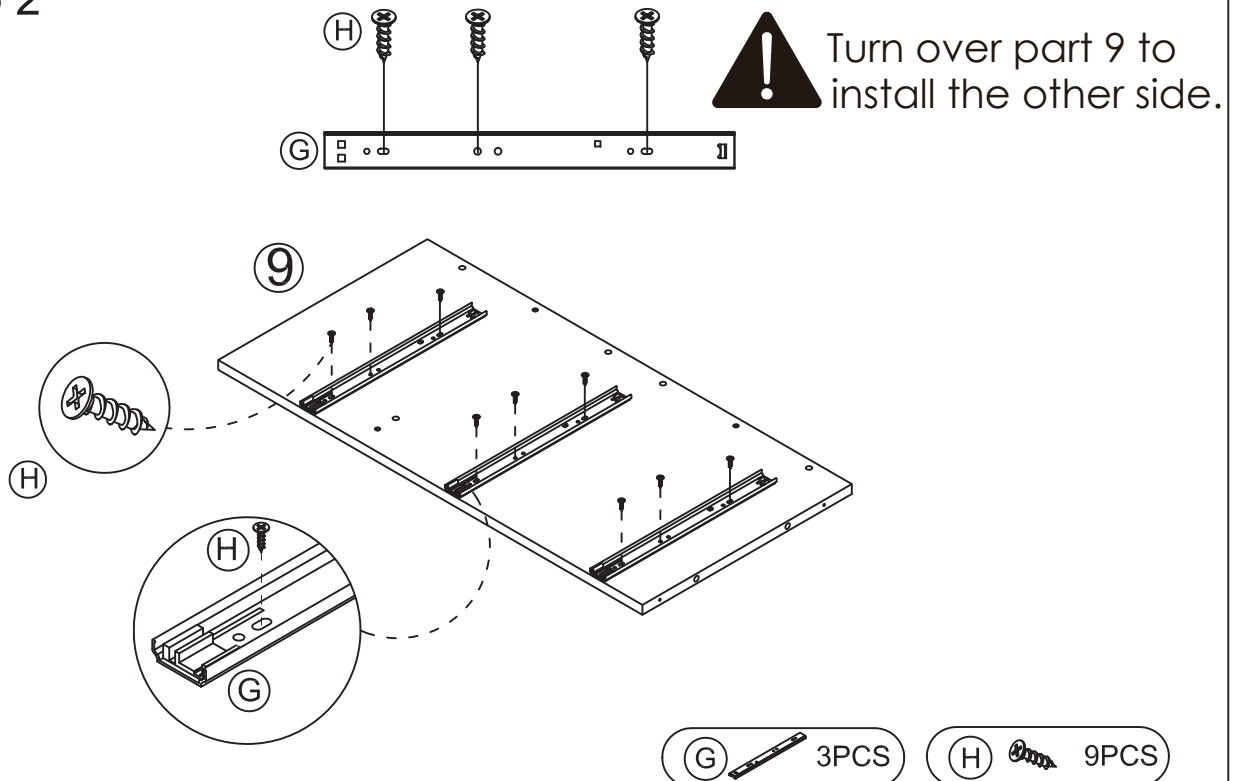
INSTALLATION STEPS

Step 1



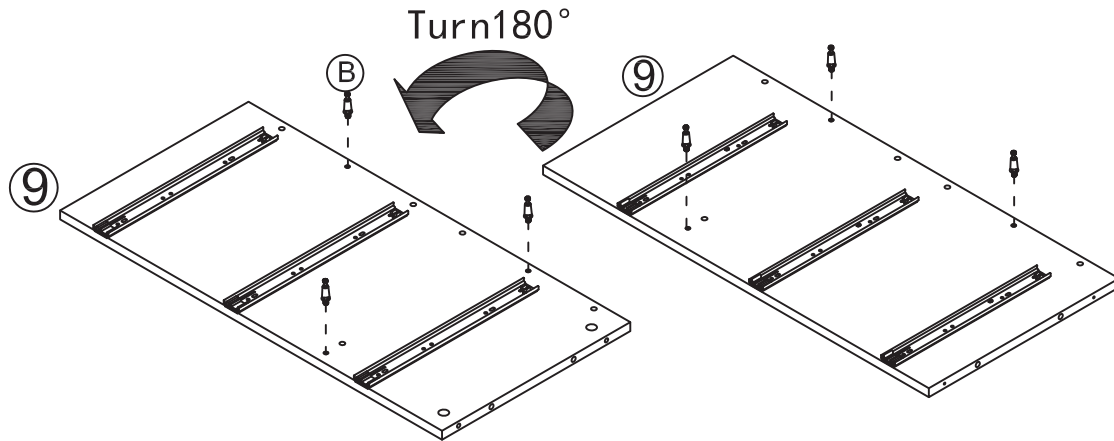
Turn 180°

Step 2

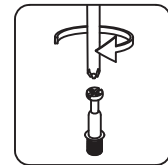


INSTALLATION STEPS

Step 3

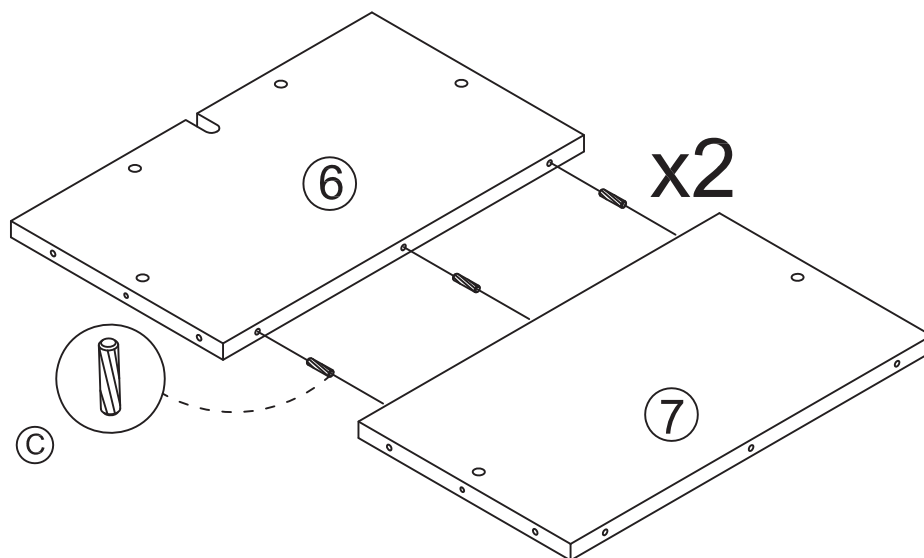



Turn over part 9 to install the other side.



(B)  6PCS

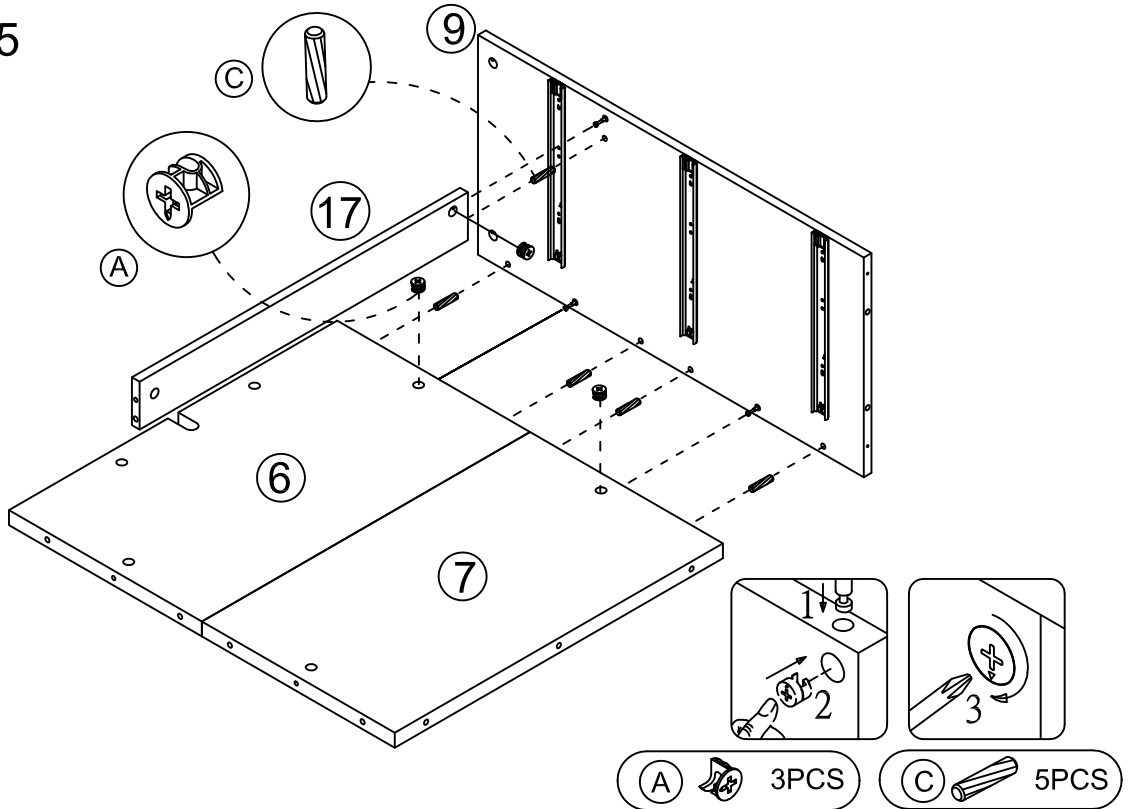
Step 4



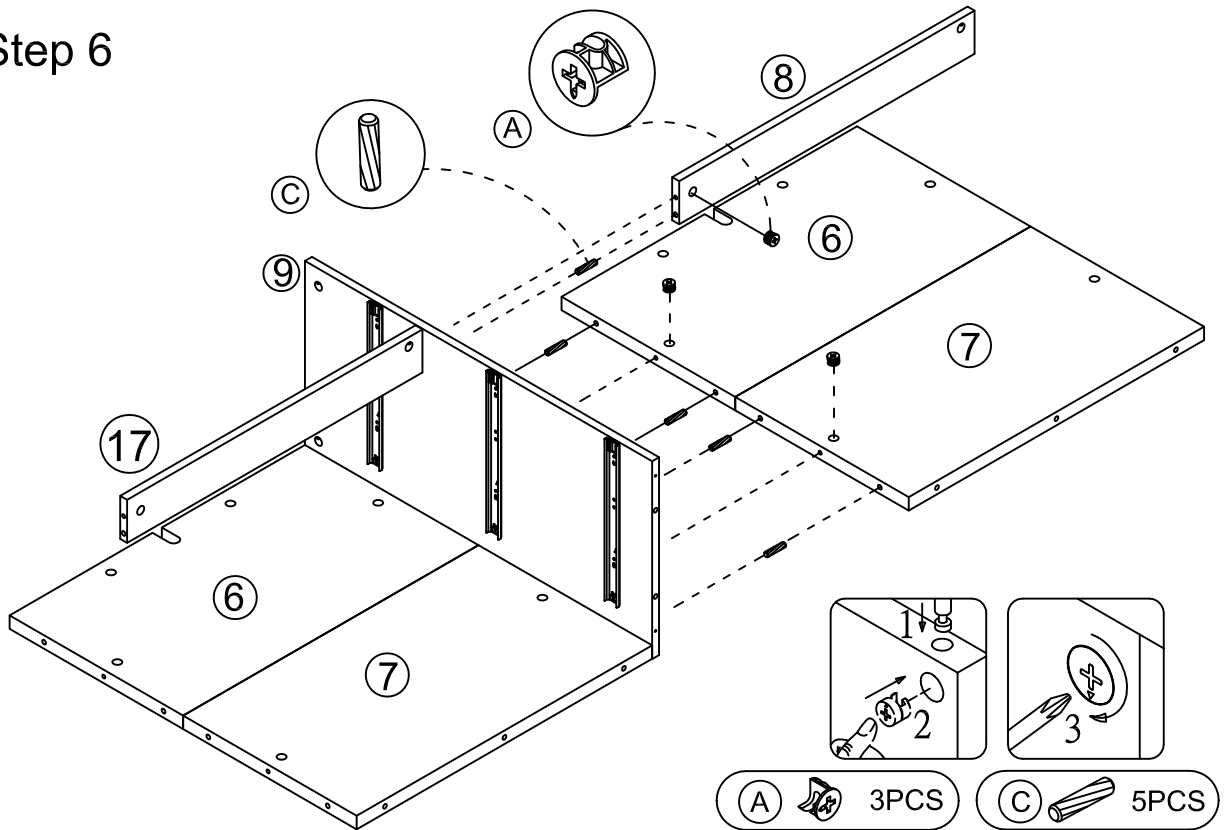
(C)  6PCS

INSTALLATION STEPS

Step 5

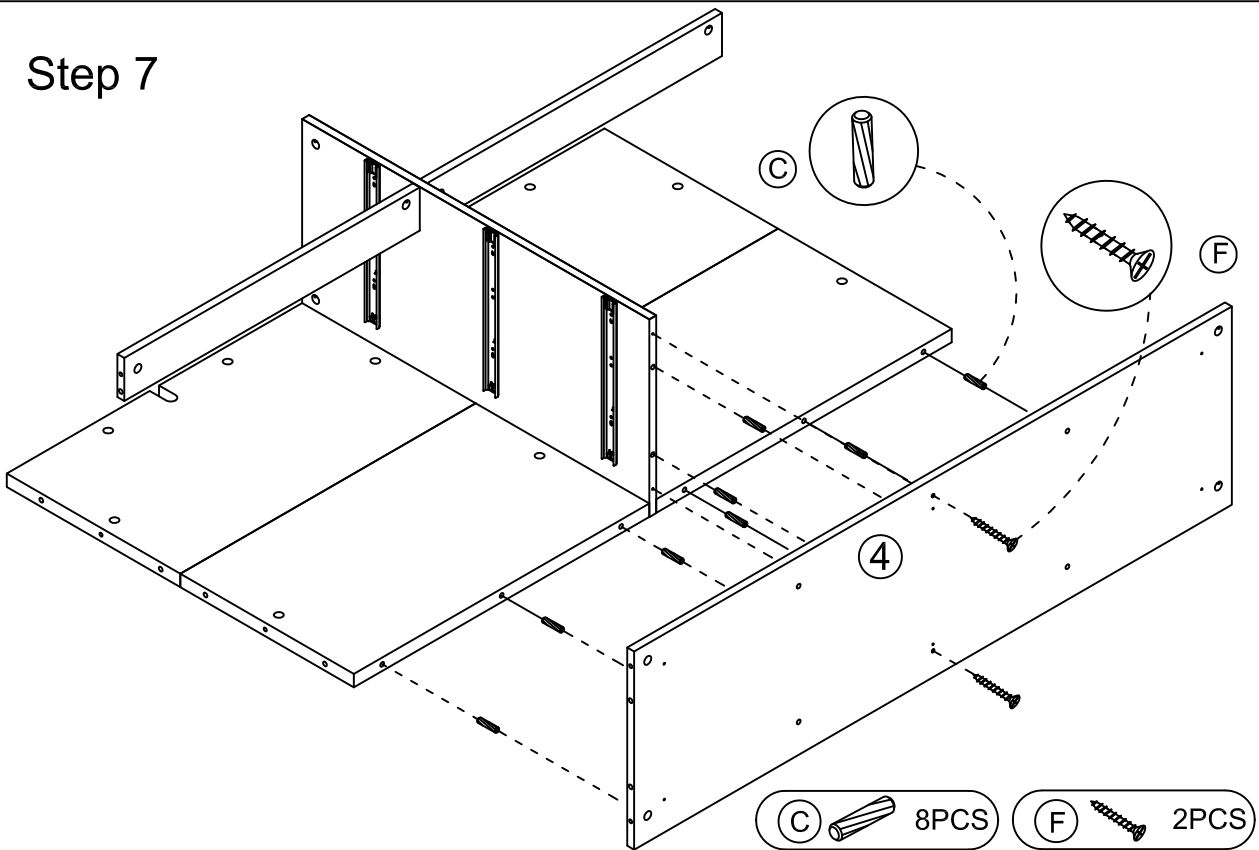


Step 6

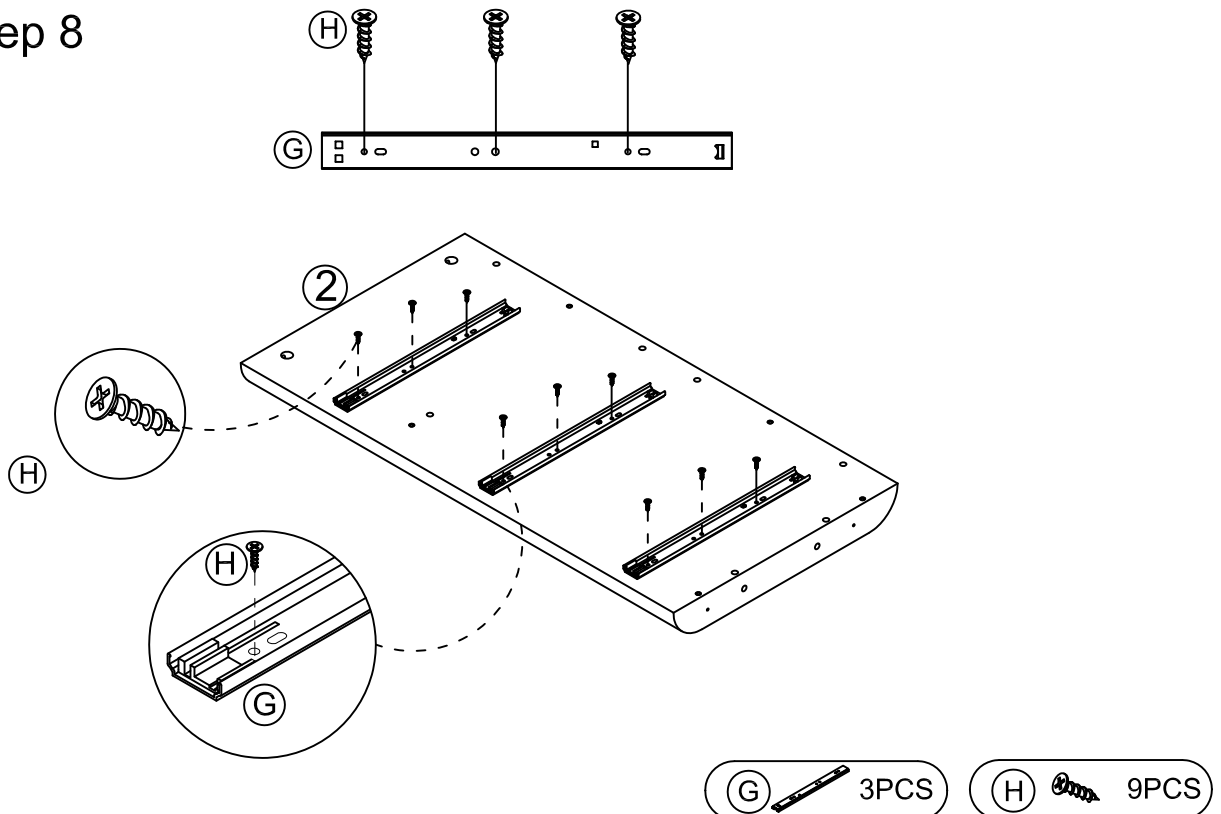


INSTALLATION STEPS

Step 7

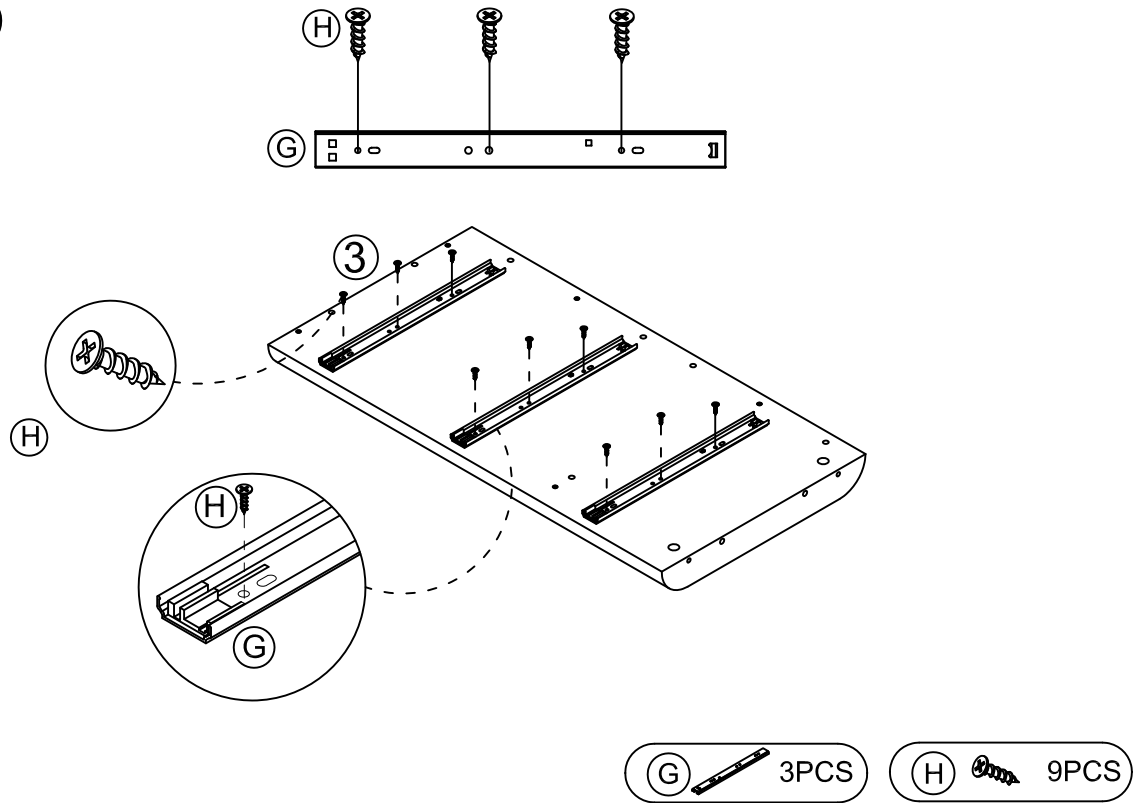


Step 8

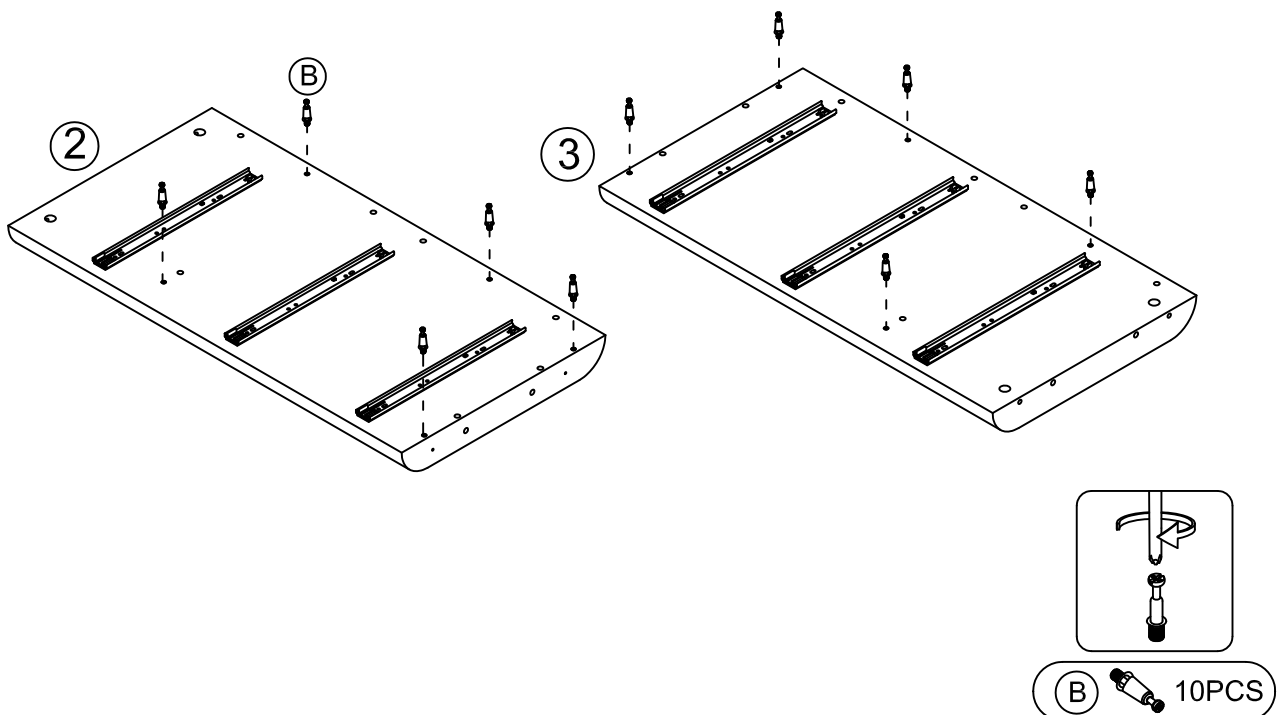


INSTALLATION STEPS

Step 9

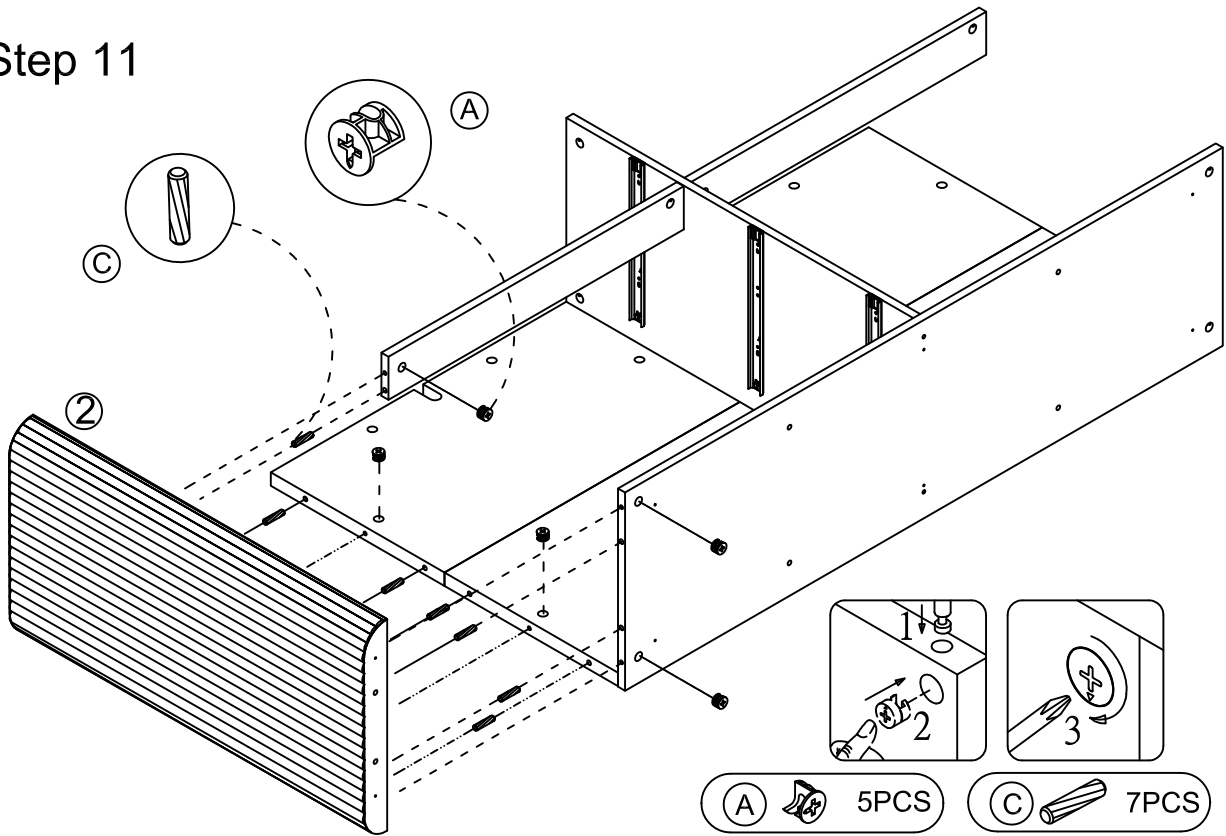


Step 10

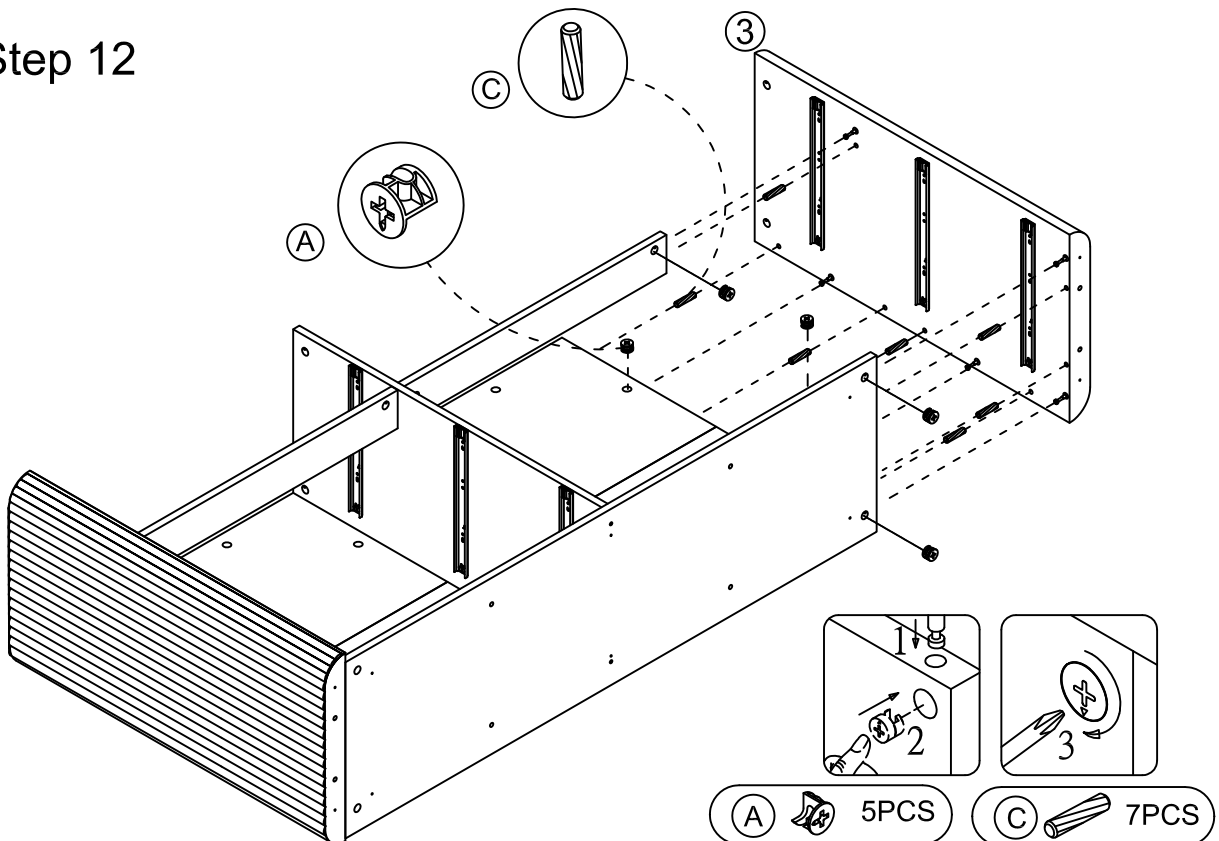


INSTALLATION STEPS

Step 11

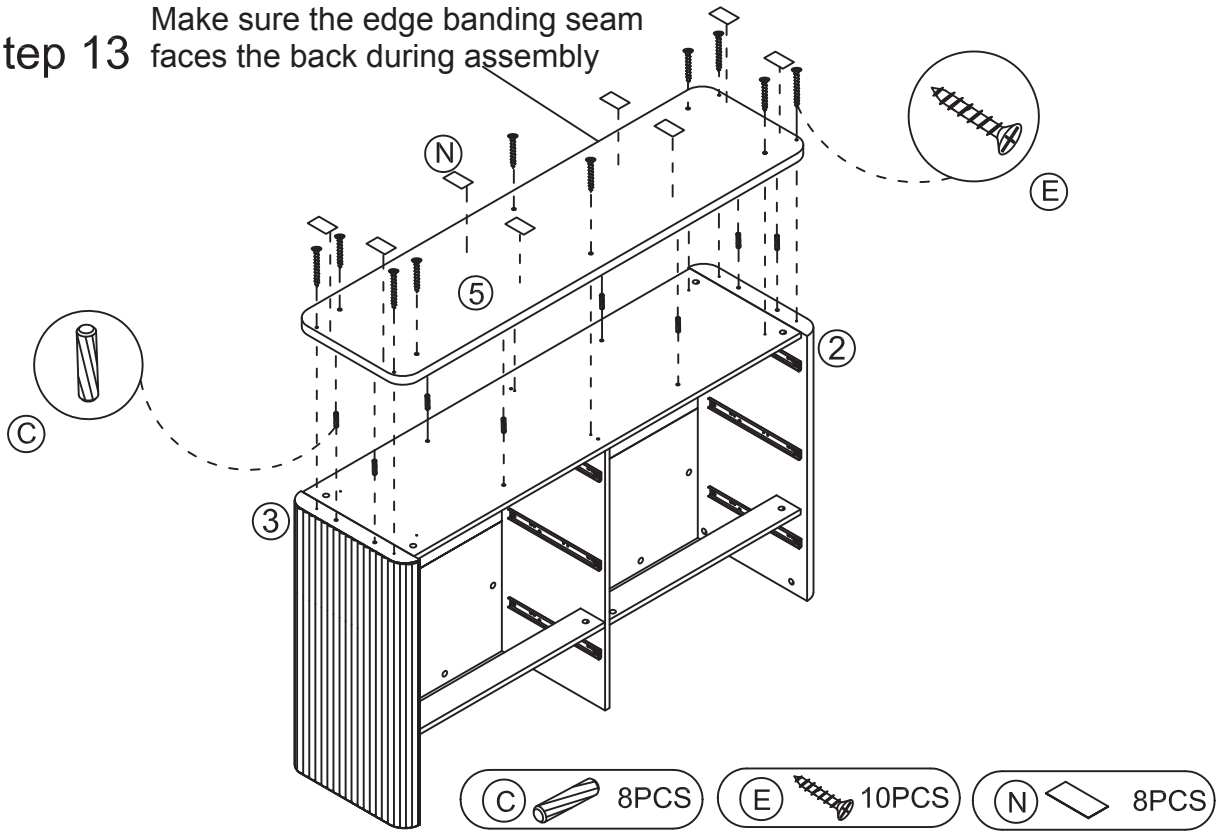


Step 12

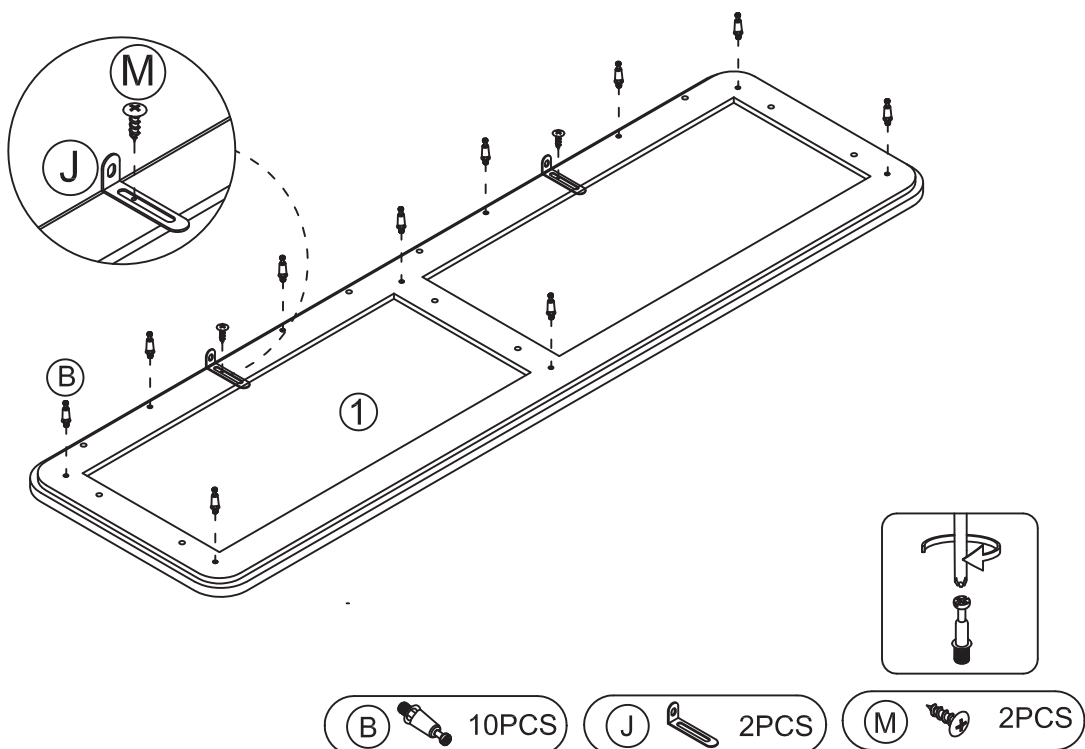


INSTALLATION STEPS

Step 13 Make sure the edge banding seam faces the back during assembly

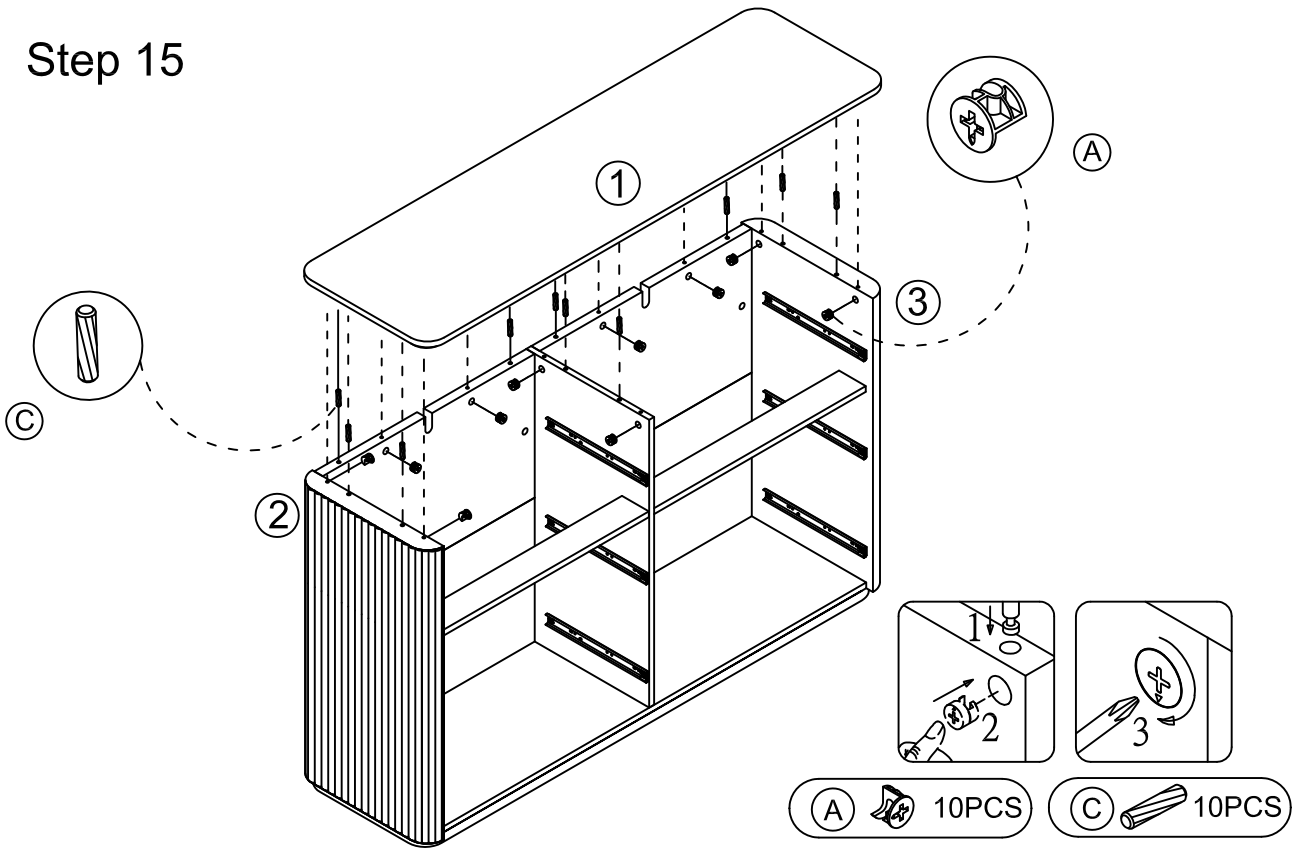


Step 14

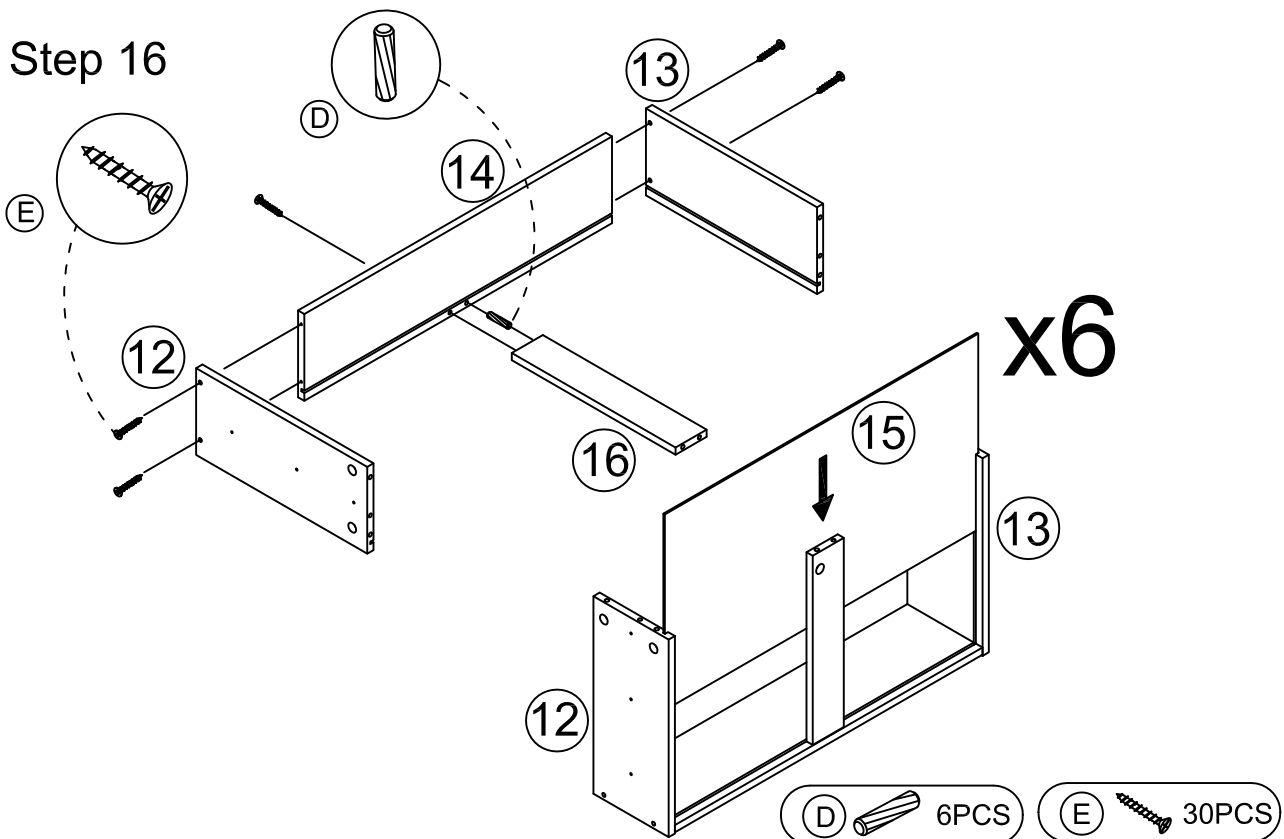


INSTALLATION STEPS

Step 15

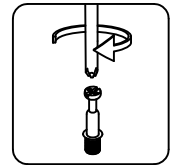
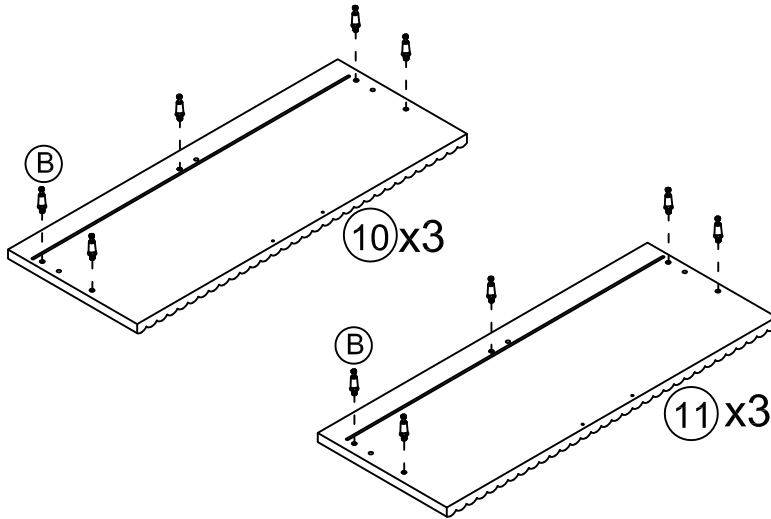


Step 16



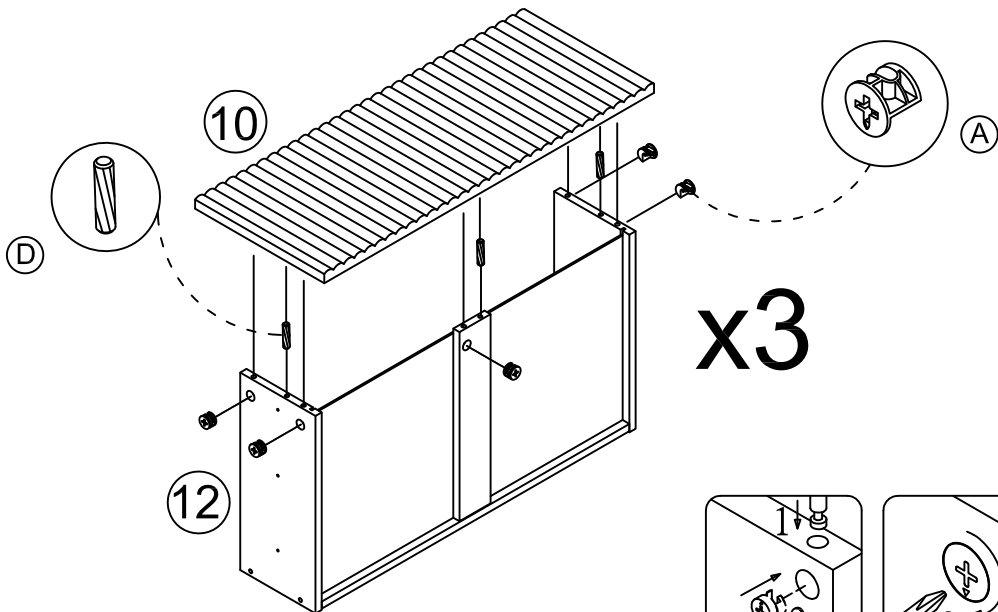
INSTALLATION STEPS

Step 17

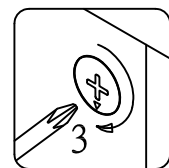
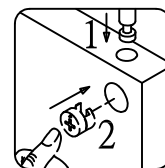


(B) 30PCS

Step 18



x3

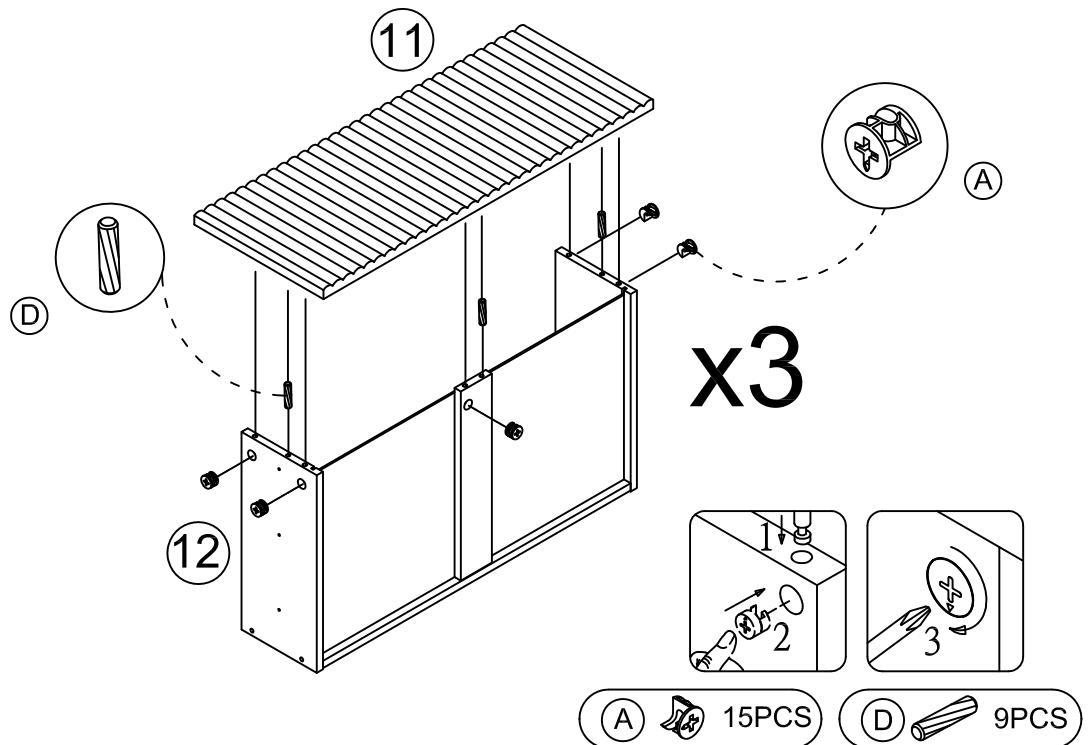


(A) 15PCS

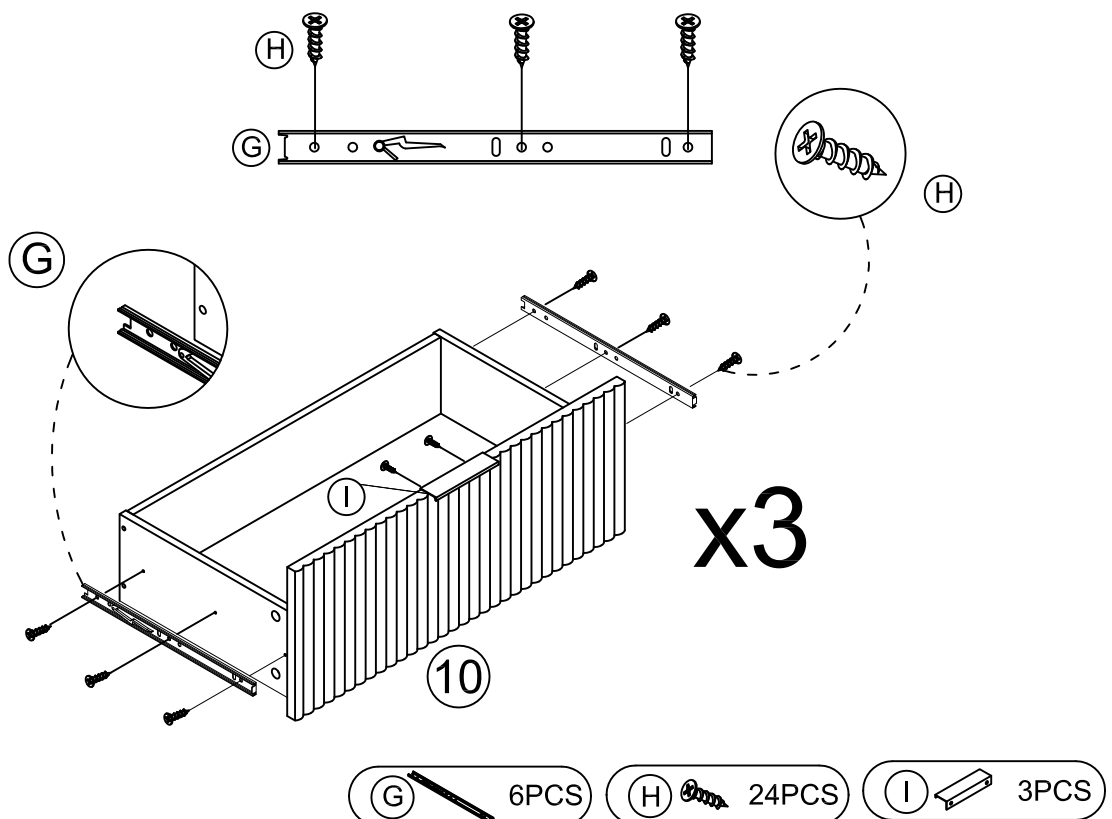
(D) 9PCS

INSTALLATION STEPS

Step 19

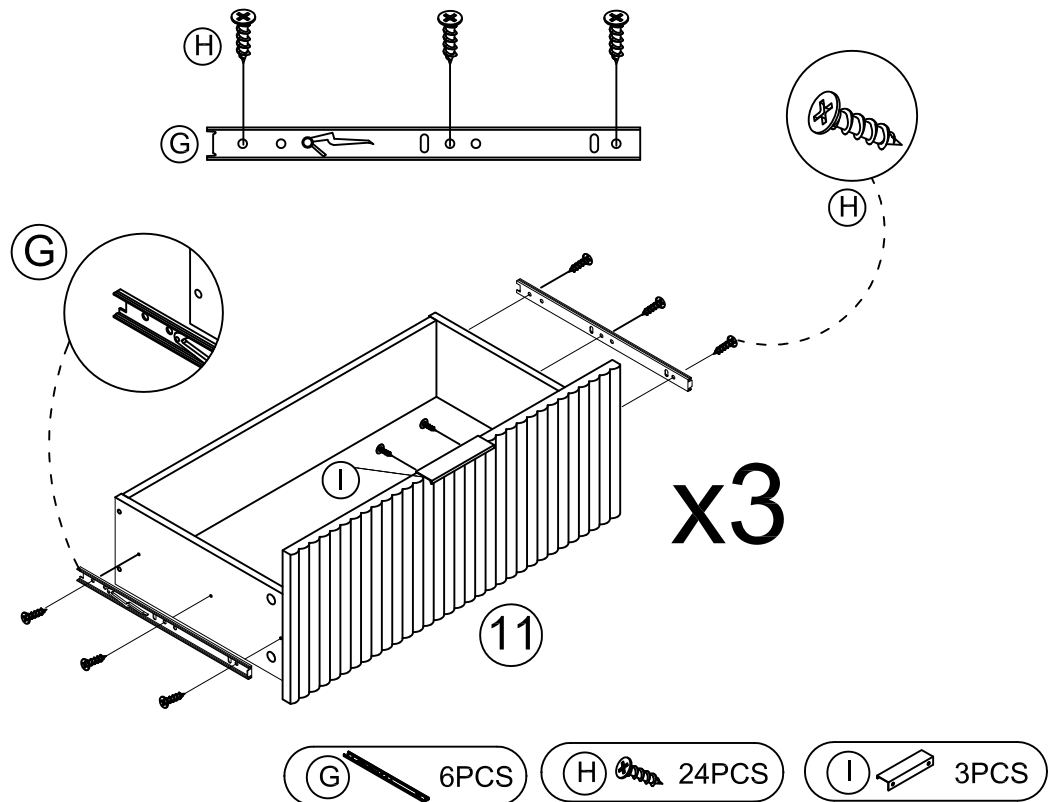


Step 20

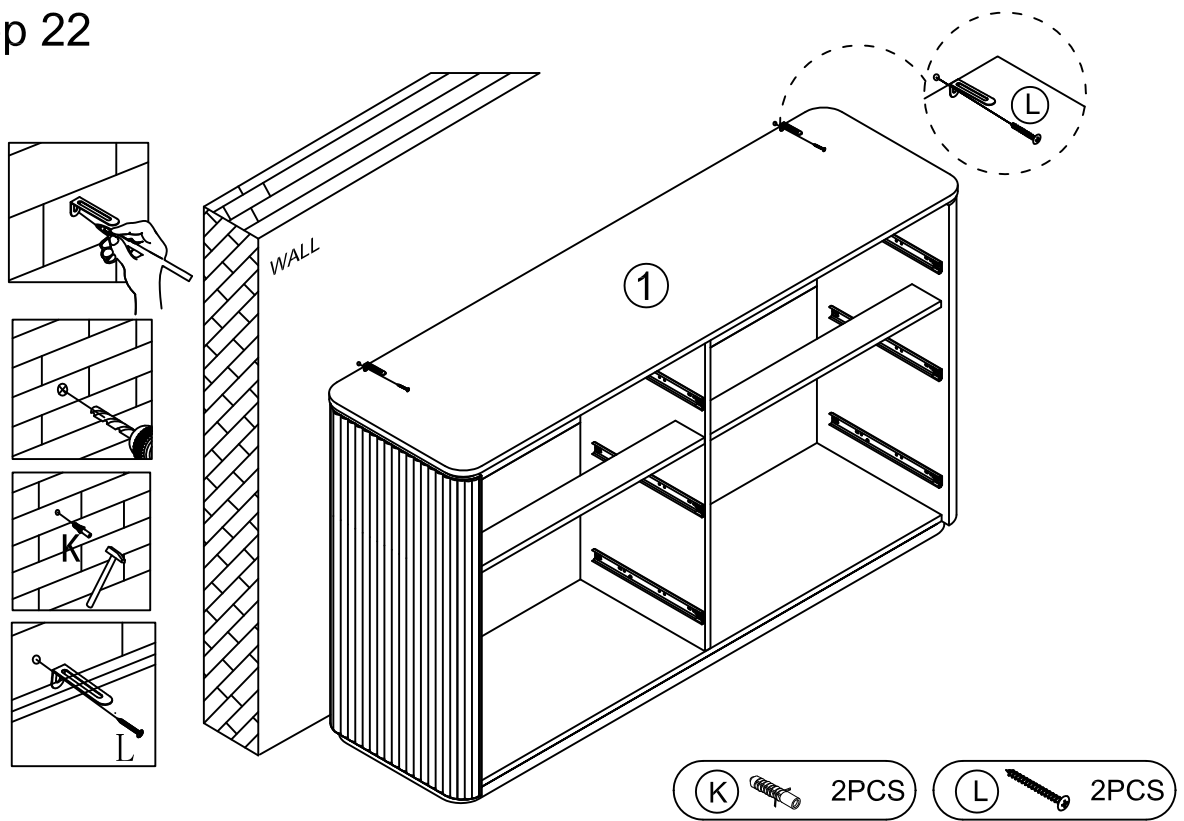


INSTALLATION STEPS

Step 21

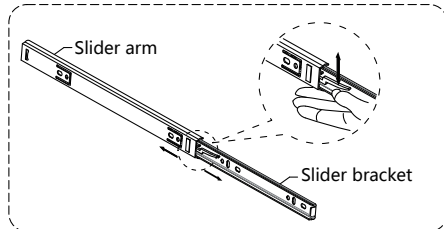


Step 22



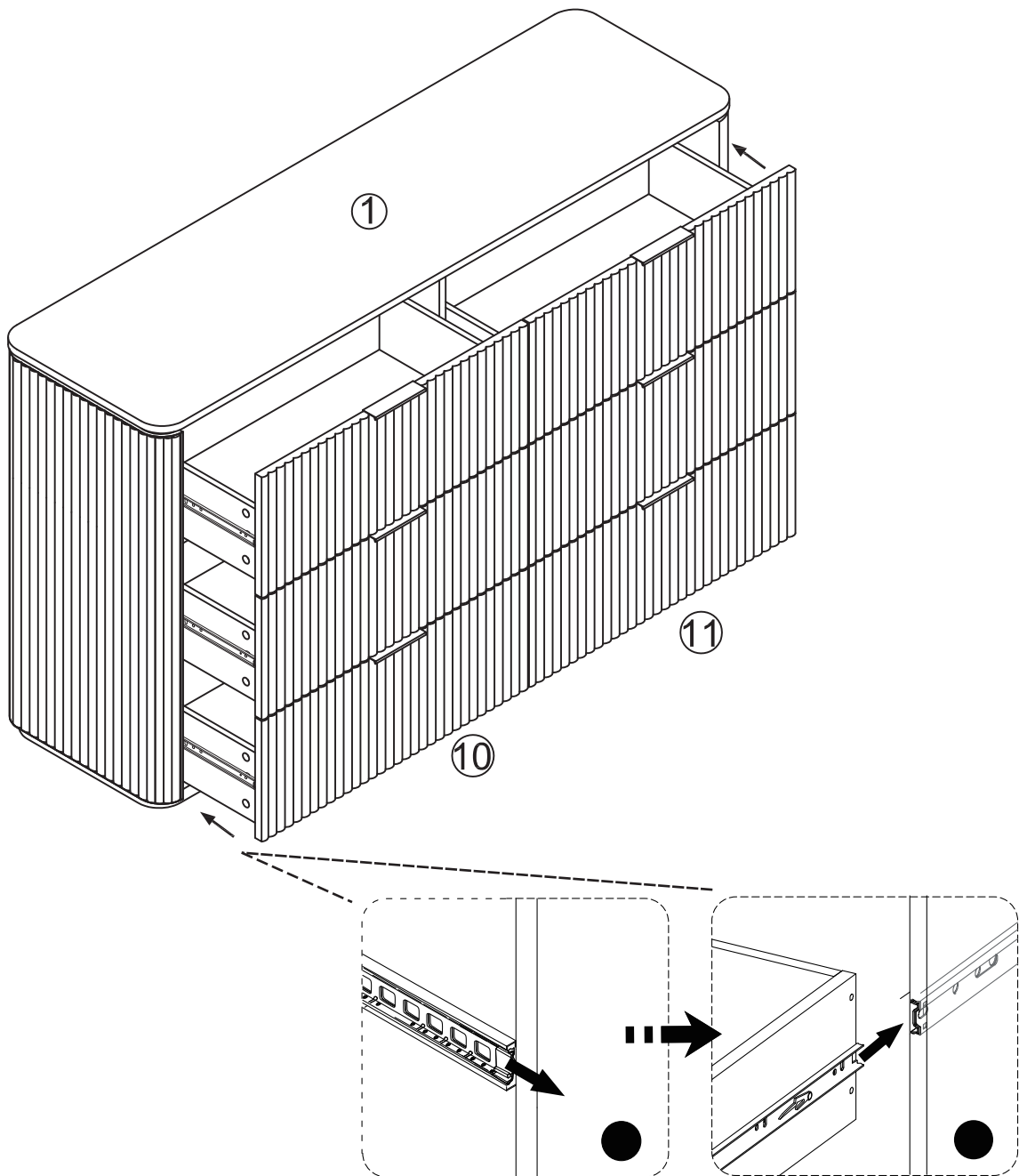
INSTALLATION STEPS

Step 23



· Assembled the drawers as per diagram

Note :If the drawer does not go in smoothly.
Press or lift the plastic release lever.
Pull out the slider bracket from the slider arm then
re-assembled the drawer until they were going
in smoothly well.



INSTALLATION STEPS

