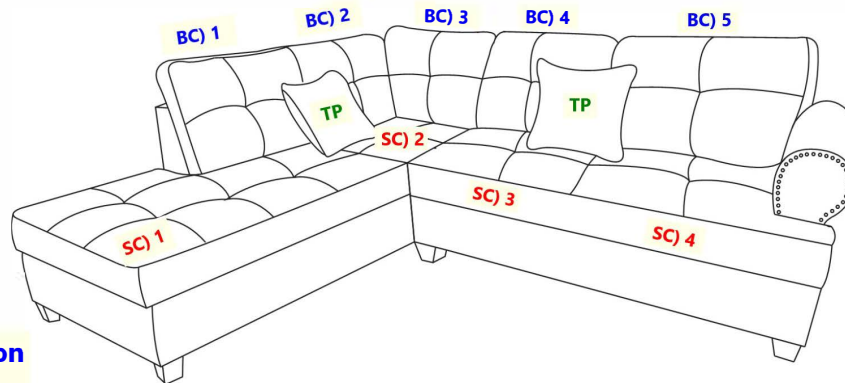


NOTICE BEFORE ASSEMBLY

Please choose the CHAISE to be on
the LEFT or RIGHT hand side

Assembly Instruction I :CHAISE ON THE LEFT



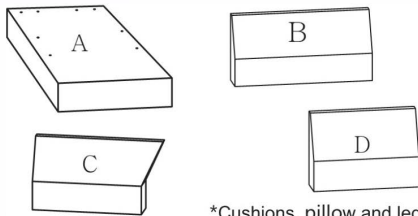
BC - Back Cushion
SC - Seat Cushion
TP - Throw Pillow

BOX 1 - CHAISE

PARTS LIST

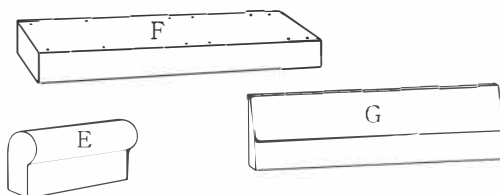
BOX 2 - SOFA

BOX 1









*Cushions, pillow and legs included

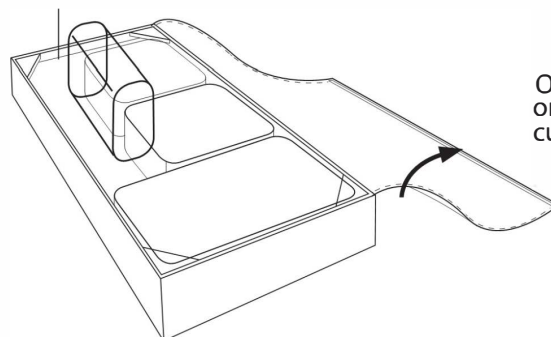
BOX 2



*Cushions, pillow and legs included

1.  x11	2.  x11	3.  x11
4.  x11	5.  x2	6.  x8

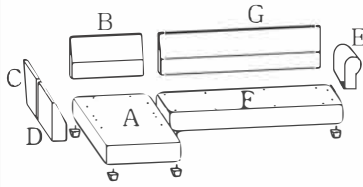
BEFORE ASSEMBLY



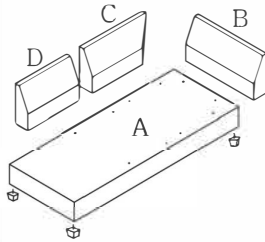
Open up the Velcro of Non-Woven Fabric cover on the bottom of the seat frame to remove seat cushions, back cushions and pillow

PLEASE REMOVE ALL PARTS FROM SEAT FRAMES AND SEAT BACKS BEFORE ASSEMBLY

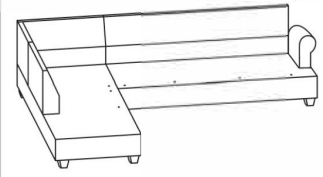
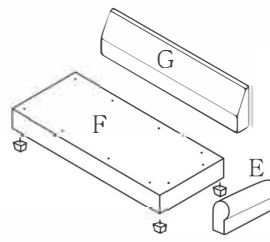
CHAISE ON THE LEFT



CHAISE BOX 1



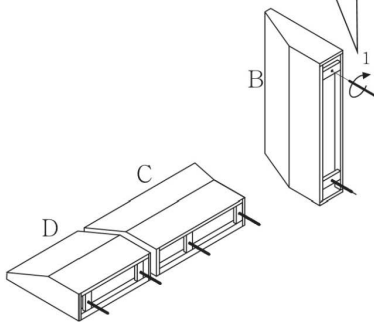
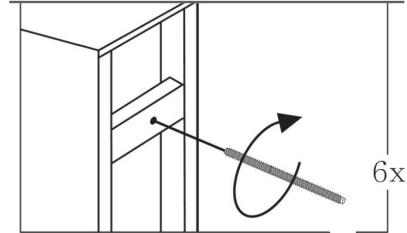
SOFA BOX 2



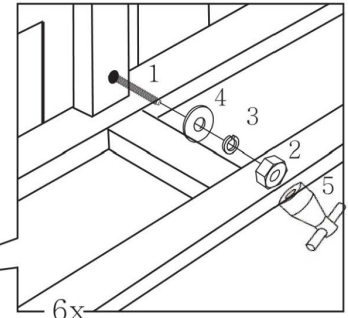
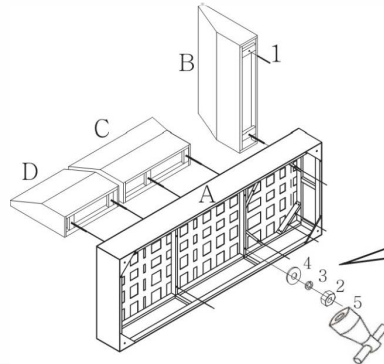
CHAISE ASSEMBLY INSTRUCTION BOX 1

STEP 1 - INSERT THREADED RODS INTO SEAT BACKS & ARM

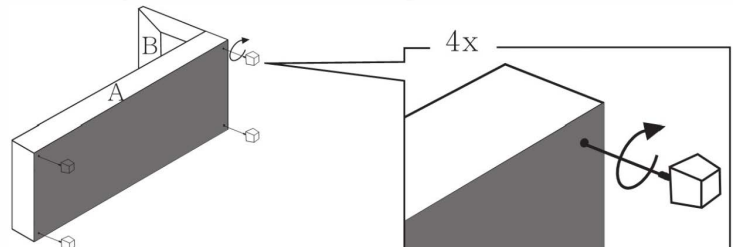
*Stop when the rod starts coming out on the other end



STEP 2 - MOUNT SEAT BACKS & ARM INTO THE SEAT FRAME

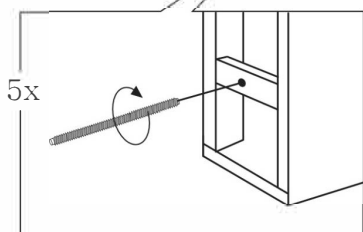
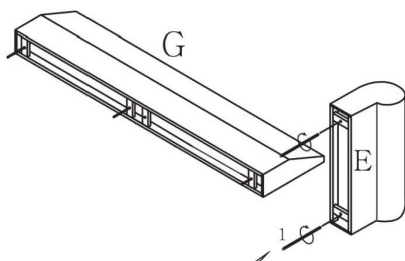


STEP 3 - PUT BACK THE FABRIC COVER AND INSERT LEGS



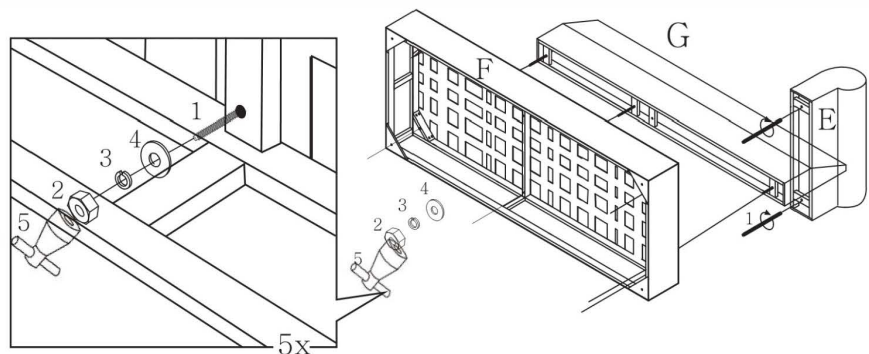
SOFA ASSEMBLY INSTRUCTION BOX 2

STEP 1 - INSERT THREADED RODS INTO SEAT BACKS & ARM

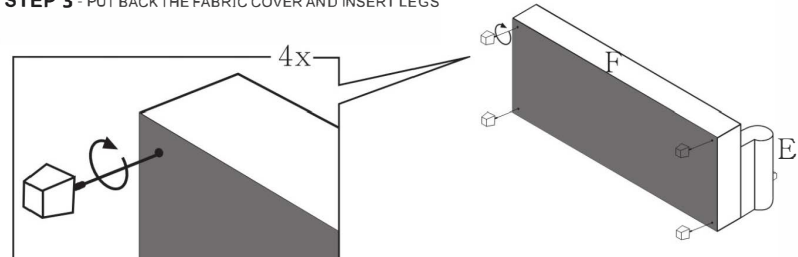


*Stop when the rod starts coming out on the other end

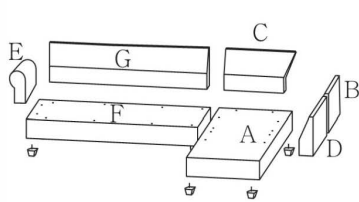
STEP 2 - MOUNT SEAT BACKS & ARMS INTO THE SEAT FRAME



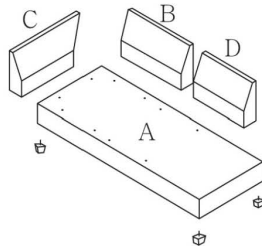
STEP 3 - PUT BACK THE FABRIC COVER AND INSERT LEGS



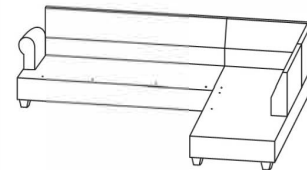
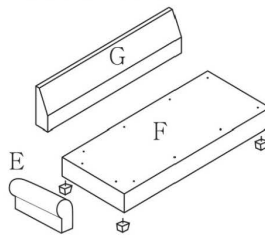
CHAISE ON THE RIGHT



CHAISE BOX 1



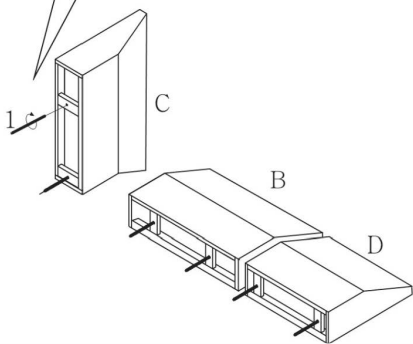
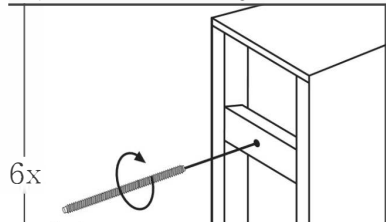
SOFA BOX 2



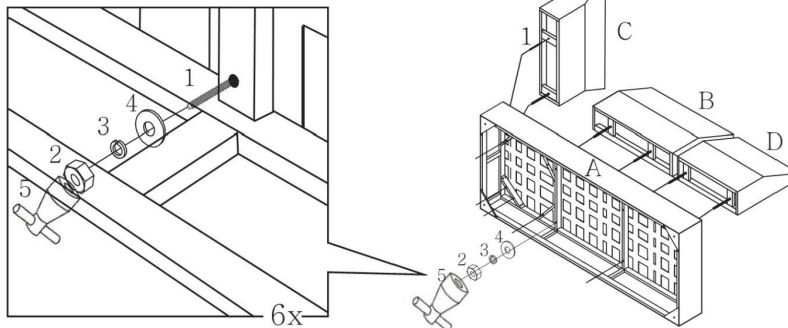
CHAISE ASSEMBLY INSTRUCTION BOX 1

STEP 1 - INSERT THREADED RODS INTO SEAT BACKS & ARM

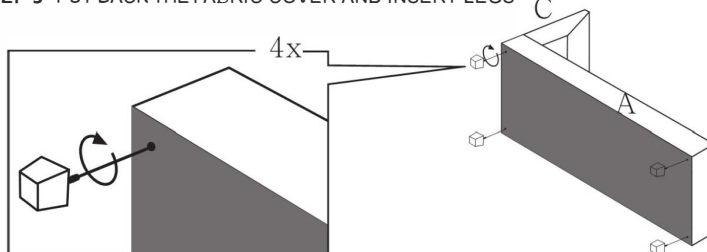
*Stop when the rod starts coming out on the other end



STEP 2 - MOUNT SEAT BACKS AND ARM INTO THE SEAT FRAME

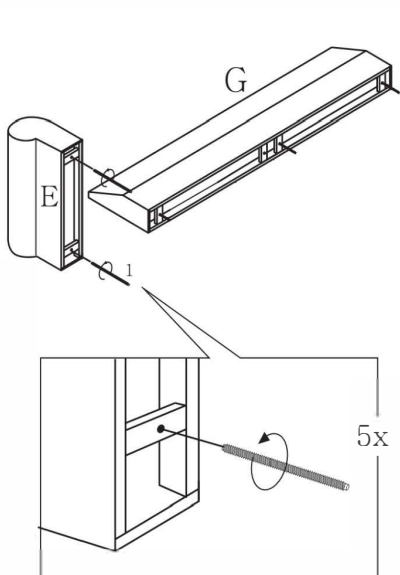


STEP 3 - PUT BACK THE FABRIC COVER AND INSERT LEGS



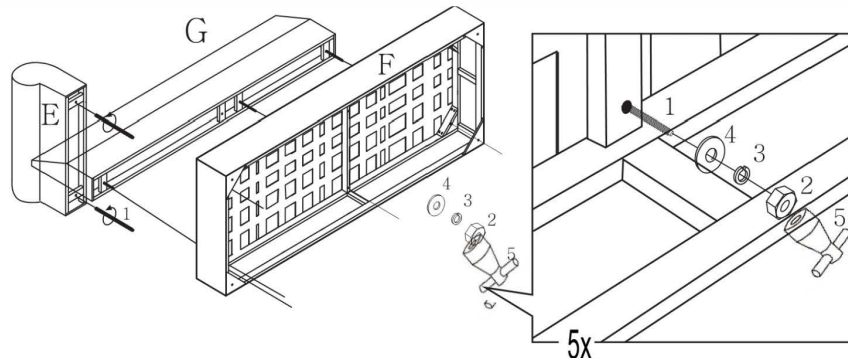
SOFA ASSEMBLY INSTRUCTION BOX 2

STEP 1 - INSERT THREADED RODS INTO SEAT BACKS & ARM

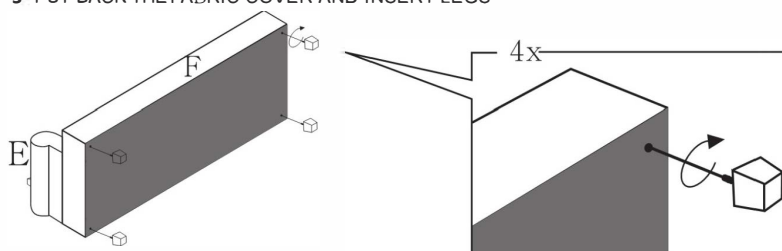


*Stop when the rod starts coming out on the other end

STEP 2 - MOUNT SEAT BACKS AND ARM INTO THE SEAT FRAME



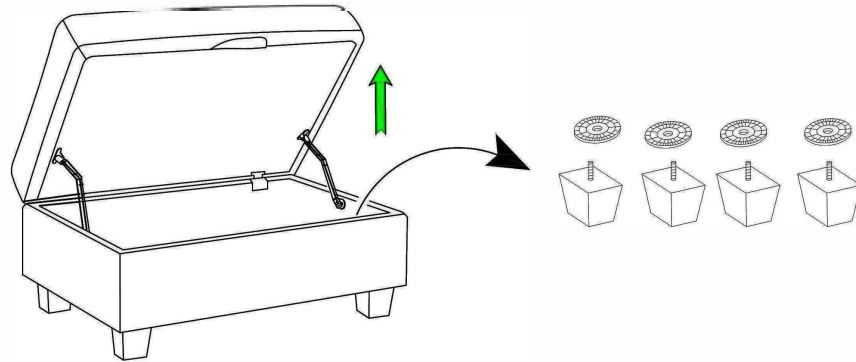
STEP 3 - PUT BACK THE FABRIC COVER AND INSERT LEGS



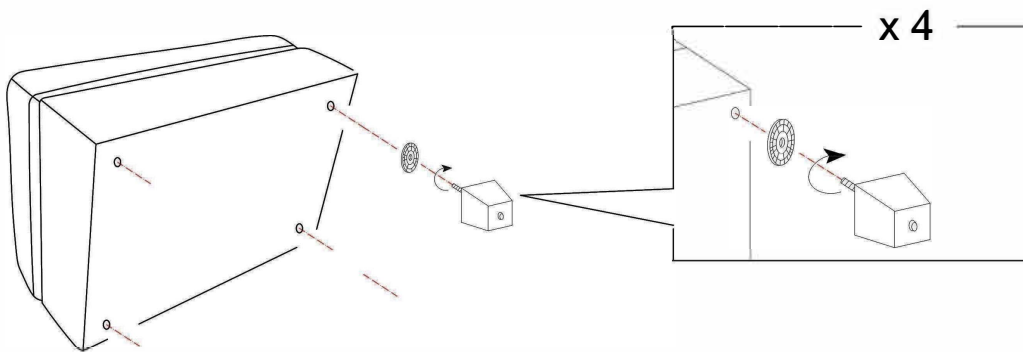
Assembly Instructions

ITEM NO. 17924, 17915, 17918

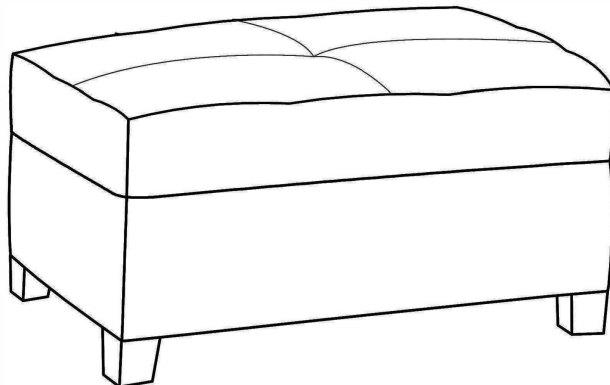
BOX 3 - OTTOMAN WITH STORAGE



1



2



3

INSERT THE "n" SHAPE HANGER INTO THE SEAT FRAME TO ATTACH THE SECTIONAL TOGETHER.

