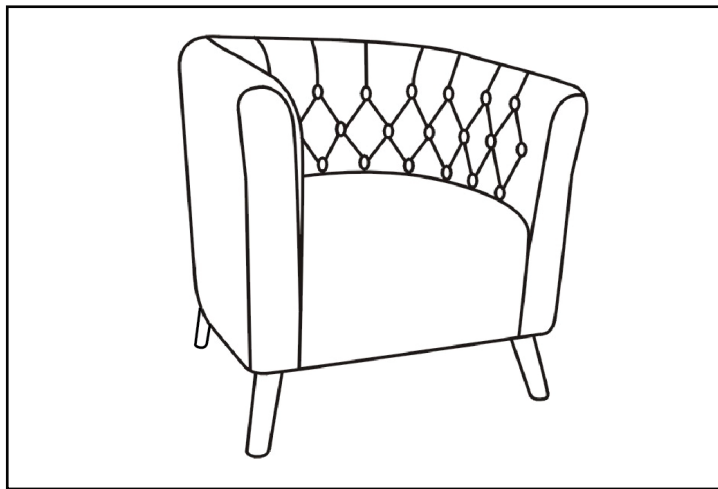
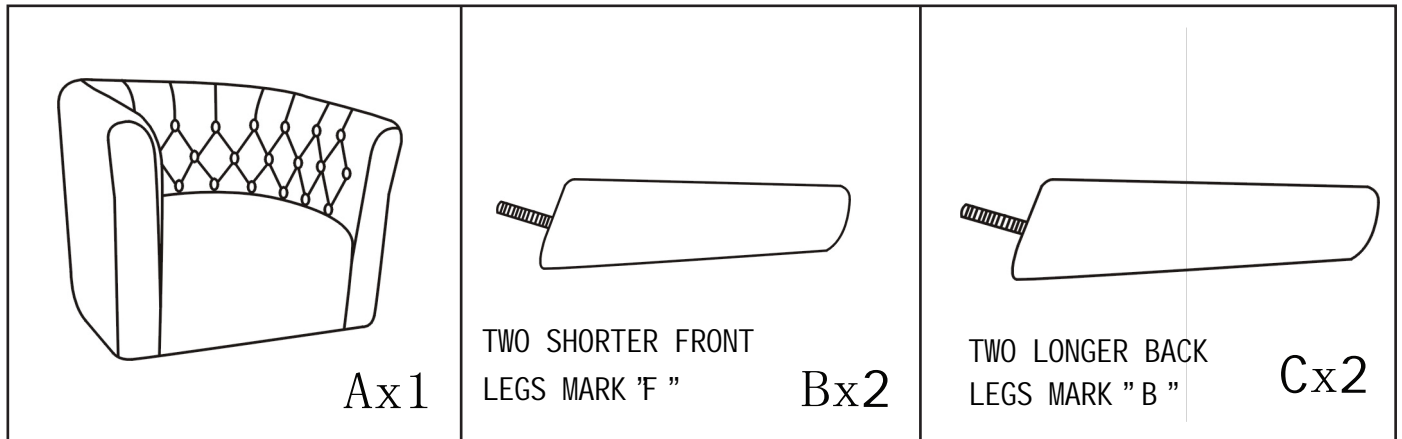


# INSTRUCTION MANUAL ENCLOSED

## **INDOOR ACCENT CHAIR** **INDOOR CLUB CHAIR ASSEMBLY INSTRUCTION**



PARTS LIST		
Part	Description	Quantity
<b>PARTS</b>		
A	Chair Top	1
B	Front Legs	2
C	Back Legs	2



## PLEASE READ AND FOLLOW ALL SAFETY TIPS

### GETTING STARTED

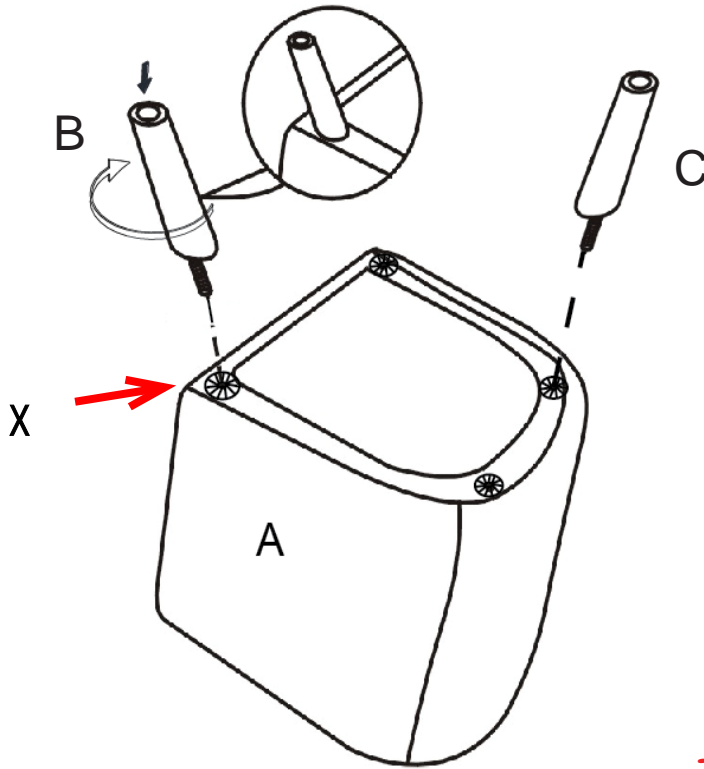
1. Before assembly, **CAREFULLY** use scissors or utility knife to cut and unwrap all parts. Make sure you do not discard the hardware.
2. Make sure that you have all the parts listed.
3. Please include your Order Number and platform of purchase in the email subject, and one of our customer service representative will get back to you.

#### Warm Tips:

1. The plastic covers on some metal parts are just for product protection. Please remove it before assembly.
2. Please follow the sequence of AI during assembly.
3. Do not tighten the screws until all of them are in right positions.

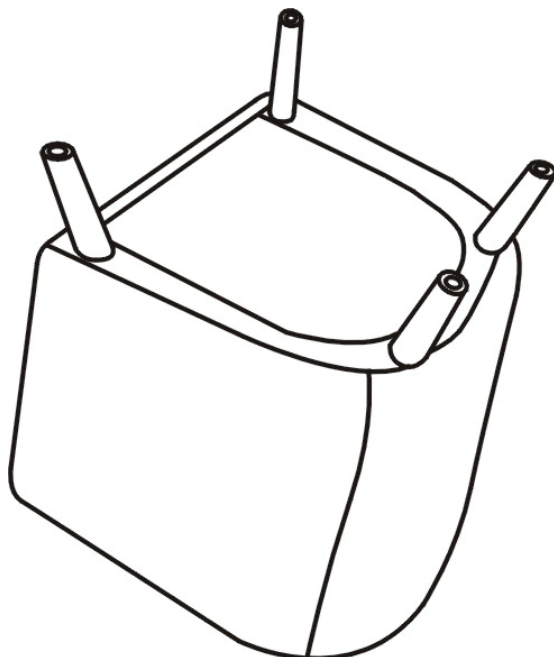
1. Locate front legs(B) and back legs(C) to the ChairTop(A) by the pre-drilled threads., The installation is complete when the front legs(B) is tightened and the tip corresponds to the pattern point X below, the back legs(C) is tightened and the tip faces backward.

(If the tip is not pointing correctly after tightening, continue to rotate until it is)



-----Photo 1

2. According to the first step assemble other 2 legs.(Photo 2)



----Photo2

Till now you have finished the whole assembly and enjoy your furniture!