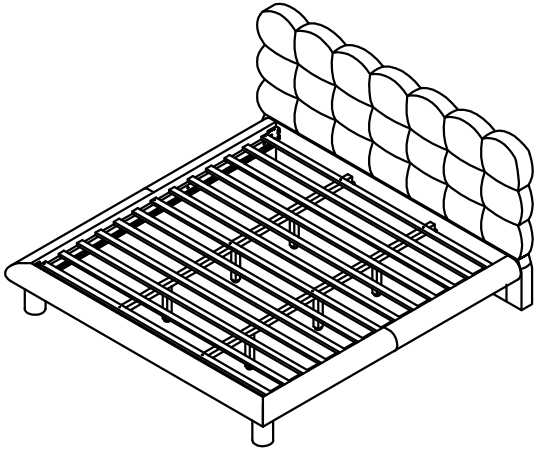


ASSEMBLY INSTRUCTIONS

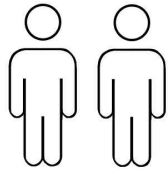
KING



+ Do Not Use Power Tools



+ Suggested Adults



NOTE:

- 1 Read instructions cover to cover.
- 2 Save all packaging until assembly is completed.

1 IMPORTANT SAFETY INFORMATION

Do not assemble the product if any of the following parts arrived damage:

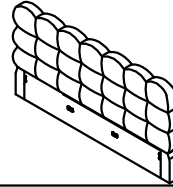
- Part 4 - Side Rails
- Part 5 - Center Support Bar
- Part 6 - Support Legs
- Part 7 - Slats

2 IMPORTANT ASSEMBLY INFORMATION

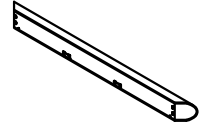
Assembly Step Ensure the side rail bracket is fully hooked onto bolt loosely threaded with both washers on the **OUTSIDE** of the bracket first, then proceed to fully tightening all 4 corners.

+ Parts Included

① HEADBOARD
(1 PC)



② FOOTBOARD
(1 PC)



③ BED LEG
(2 PCS)



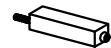
④ SIDE RAILS
(2 PCS)



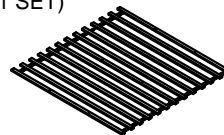
⑤ CENTER SUPPORT BAR
(2 PCS)



⑥ SUPPORT LEGS
(6 PCS)



⑦ SLATS
(1 SET)



+ Hardware Included

A M6 x 20mm
(4 PCS)



B M6
(4 PCS)



C M8
(2 PCS)



D M4 x 20mm
(8 PCS)



E M4 x 38mm
(12 PCS)



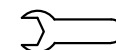
F 5/16 HEX NUT
(2 PCS)



G VMB 3087
(2 PCS)



H SPANNER 13mm
(1 PC)



I M4
(1 PC)



J M5
(1 PC)

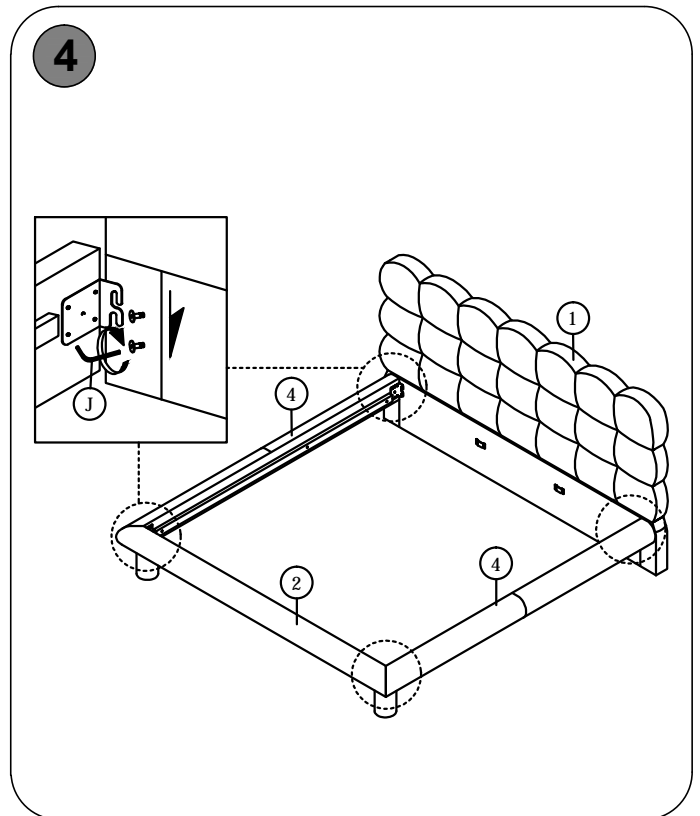
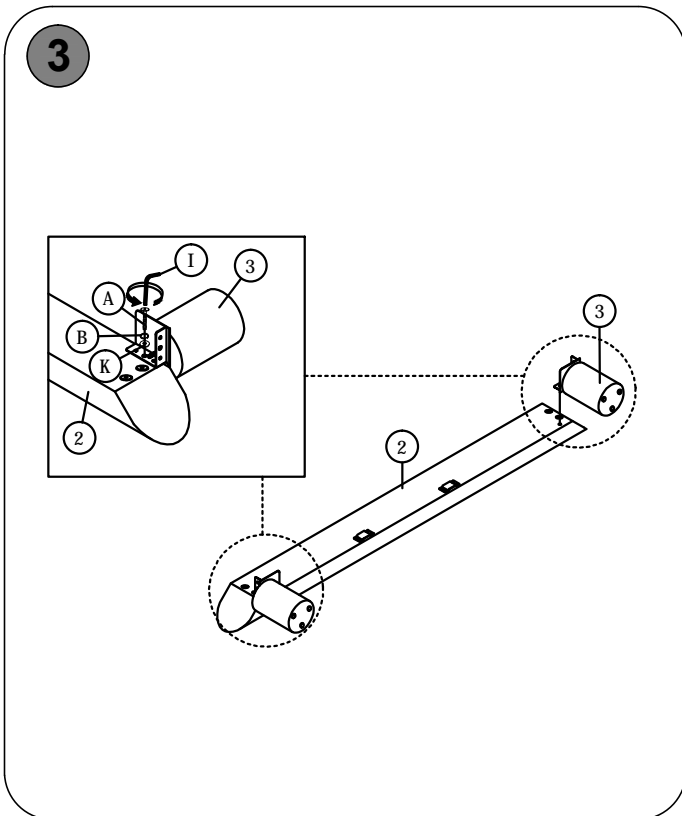
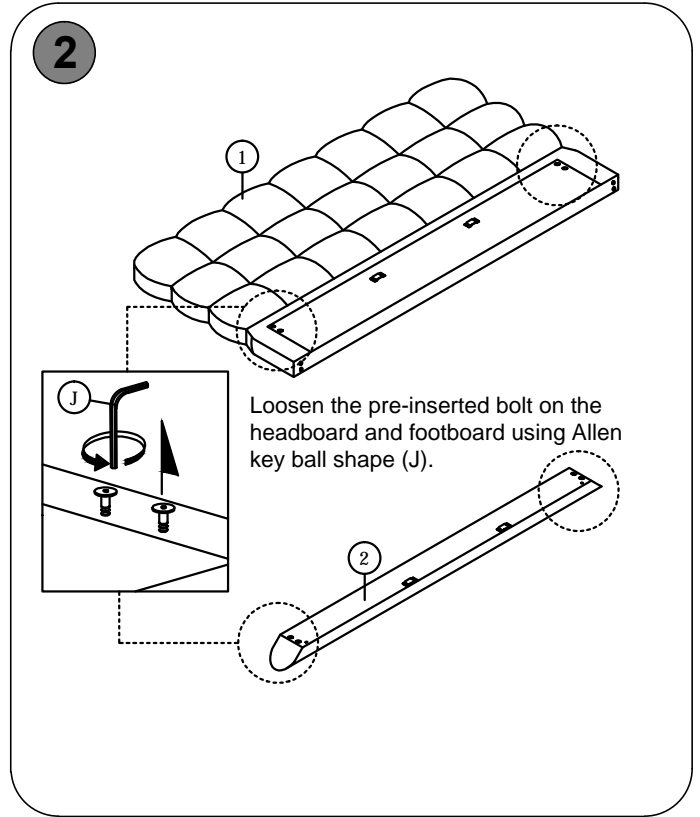
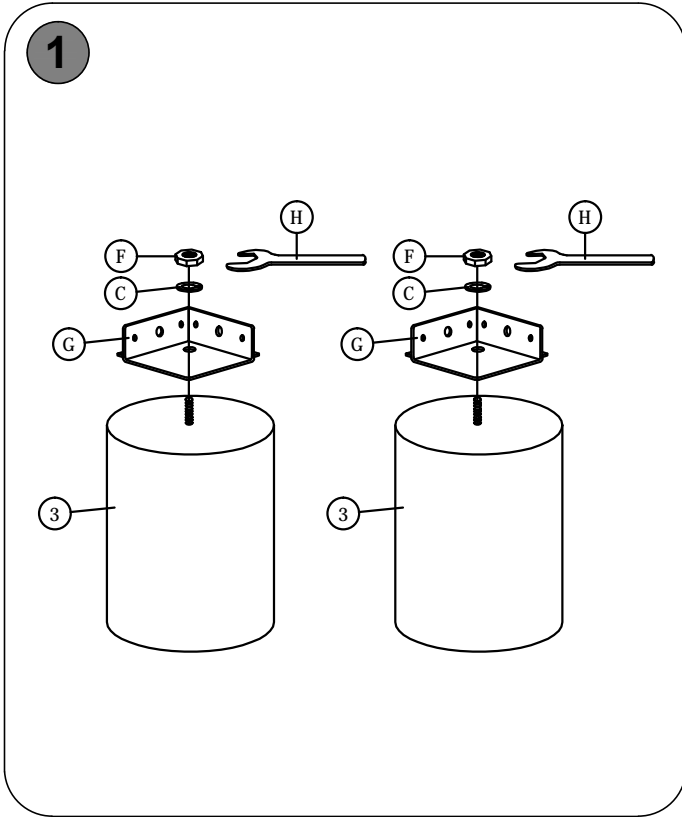


K M6
(4 PCS)



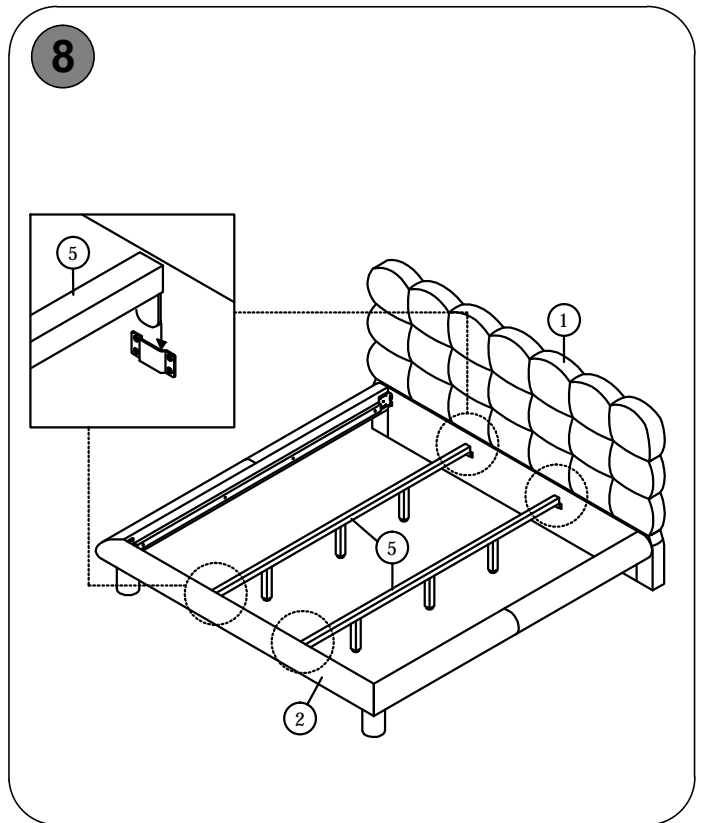
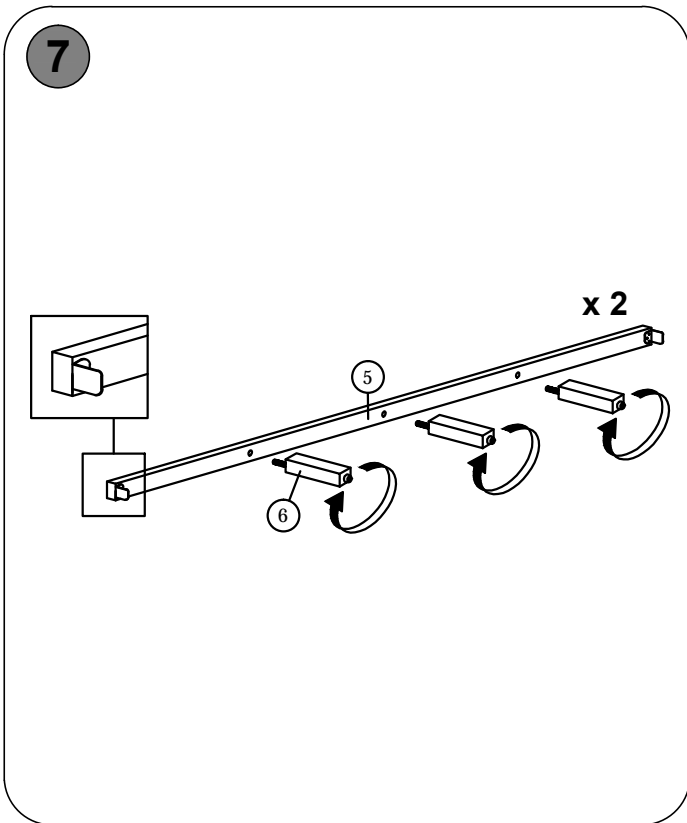
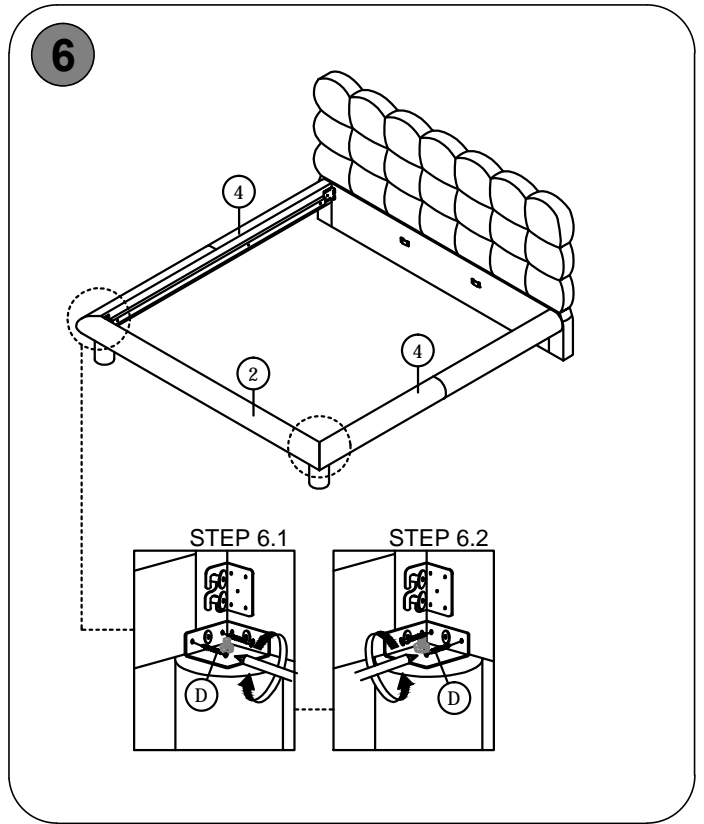
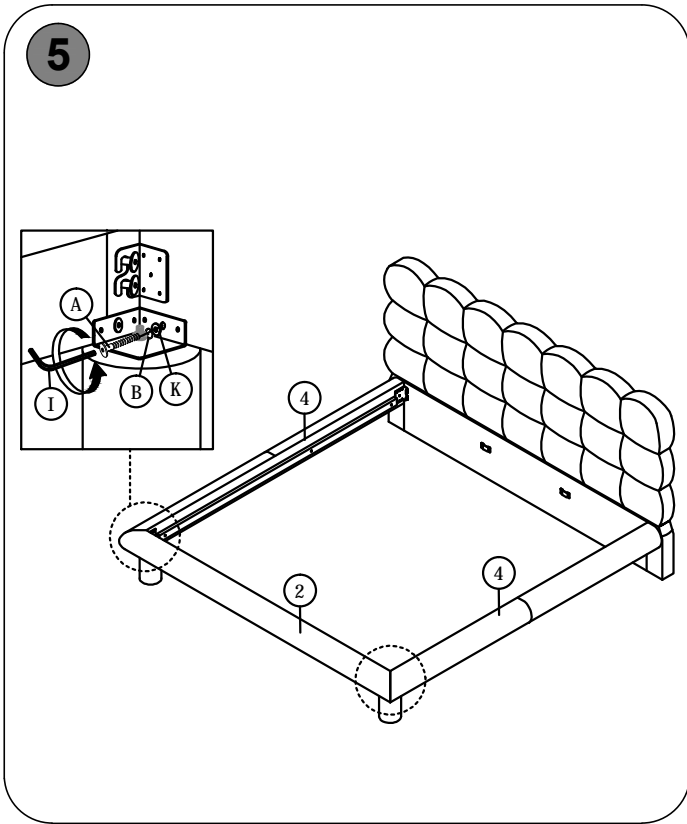
ASSEMBLY INSTRUCTIONS

KING



ASSEMBLY INSTRUCTIONS

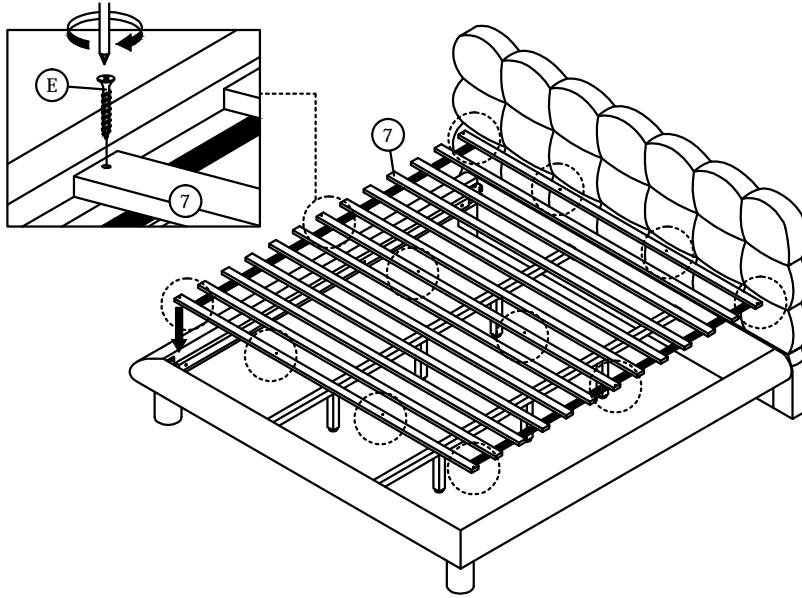
KING



ASSEMBLY INSTRUCTIONS

KING

9



10

