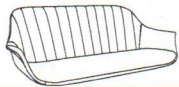








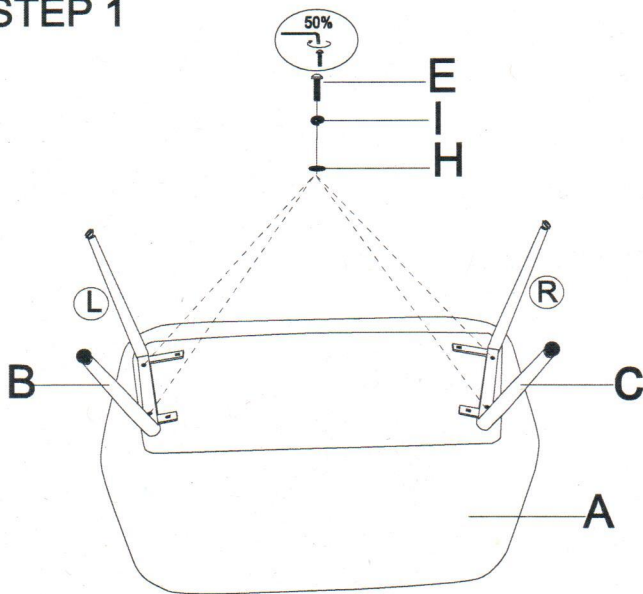


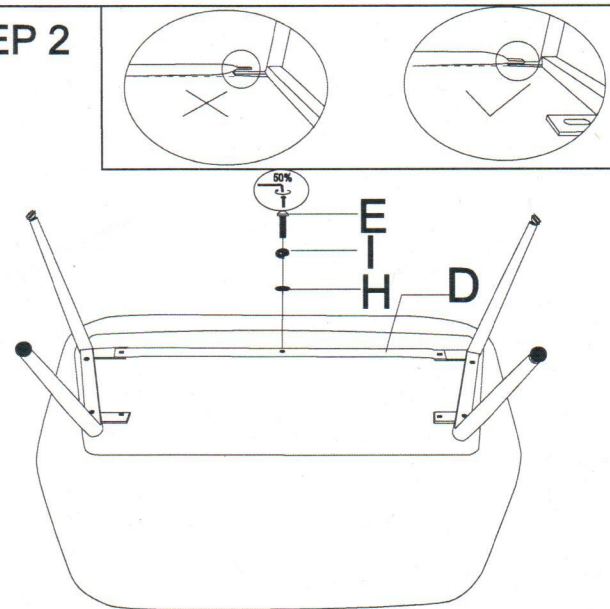
# Assmeby Instruction

A*1		E*5+1EXT	 M6*40MM
B*1		F*4+1EXT	 M6*25MM
C*1		H*9+1EXT	 M6*18*1.5MM
D*1		I*9+1EXT	
		G*1	 M6

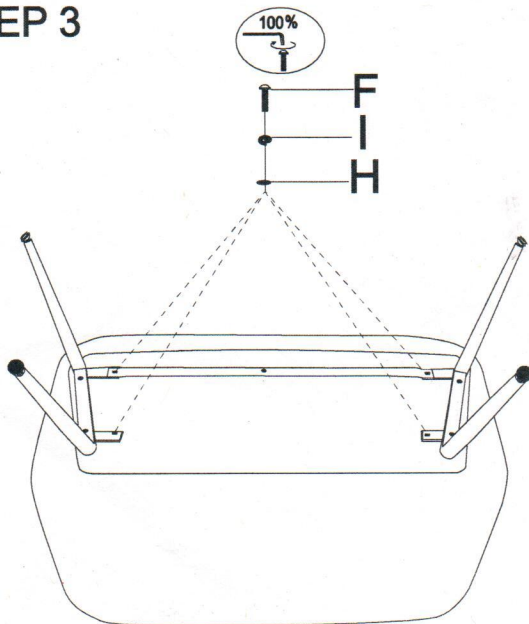
## STEP 1



## STEP 2



## STEP 3

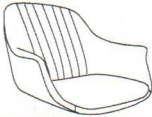






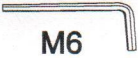


## STEP 4

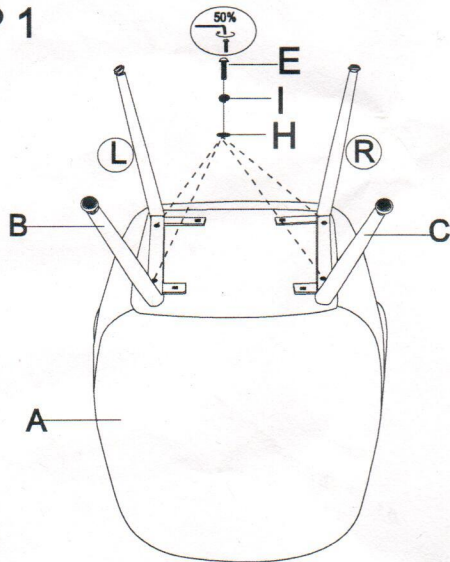


NOTE: step1 and step2 screw up to 50%. Step3 screw up and tighten all the screws . if the foot

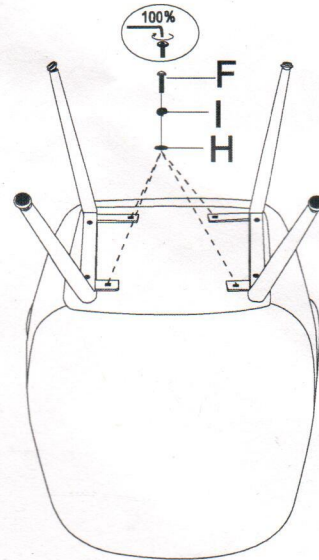
# Assmebly Instruction

A*1		E*4+1EXT	 M6*35MM
B*1		F*4+1EXT	 M6*20MM
C*1		H*8+1EXT	 M6*18*1.5MM
		I*8+1EXT	
		G*1	 M6

## STEP 1



## STEP 2



## STEP 3

