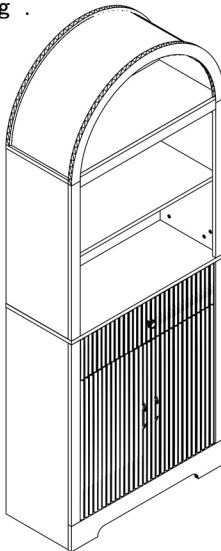
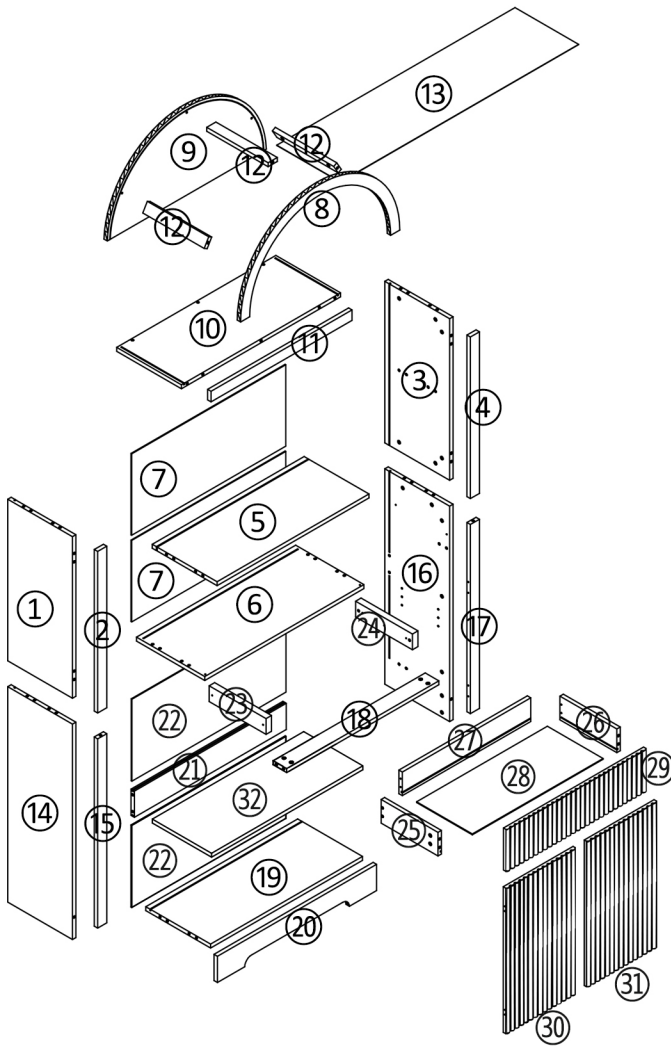




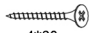
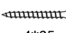









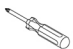


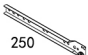
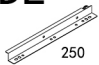
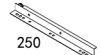


# ASSEMBLY INSTRUCTION

- Read the assembly instructions carefully before beginning assembly.
- Ensure the safety of the glass during assembly.
- Do not over tighten the screws and bolts as this may damage the threads.
- Insert the screw into the hole as shown in the figure, follow the arrow in the picture, and then rotate 90° or 180° clockwise.
- Keep the small accessories in the accessory bag away from children.
- The remaining parts are spare parts.
- Kind tips: when installing the white backboard, install the white side inward.
- The operating instruction of RGB light is included in the package. Read it carefully when assembling .

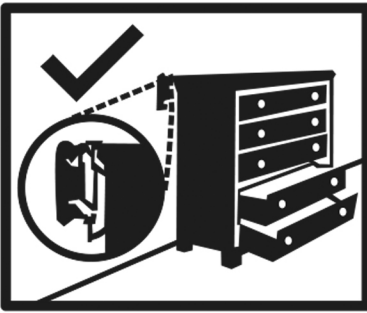
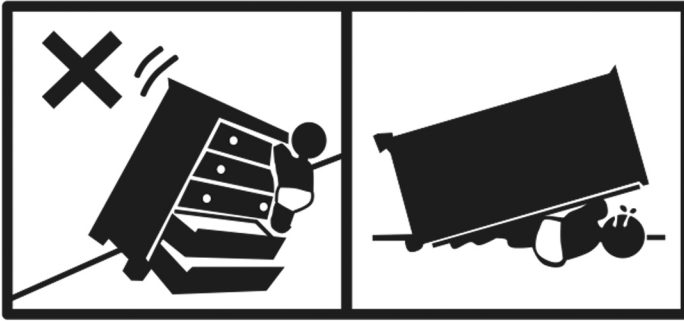




<b>A</b>  60pcs	<b>B</b>  60pcs	<b>C</b>  3.5*14 18pcs	<b>C1</b>  3*12 28pcs	<b>C9</b>  4*30 6pcs	<b>C10</b>  4*35 4pcs	<b>E</b>  8*40 30pcs	<b>F</b>  1pcs
<b>F</b>  2pcs	<b>F1</b>  4*18 5pcs	<b>G2</b>  4pcs	<b>I</b>  4pcs	<b>O</b>  1pcs	<b>X</b>  2pcs	<b>Y</b>  16pcs	<b>AG</b>  1pcs
<b>AM</b>  Decorative paper 29pcs	<b>CL</b>  250 1pcs	<b>CR</b>  250 1pcs	<b>DL</b>  250 1pcs	<b>DR</b>  250 1pcs			



# WARNING



Children have died from furniture tip over. To reduce the risk of tip over:

- ALWAYS secure this furniture to the wall using an anti-tip device.
- NEVER allow children to stand, climb, or hang on drawers, doors or shelves.

Do not defeat or remove the drawer interlock system.

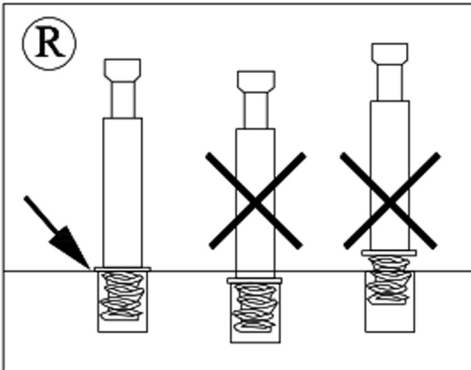
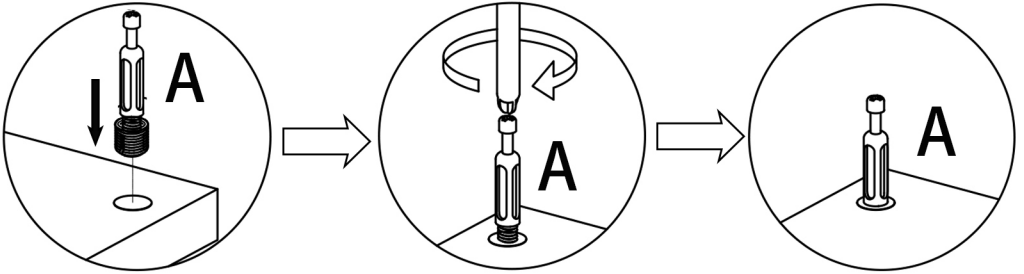
Place heaviest items in the lowest drawers.

NEVER put a TV on this furniture.



# Hardware installation demonstration

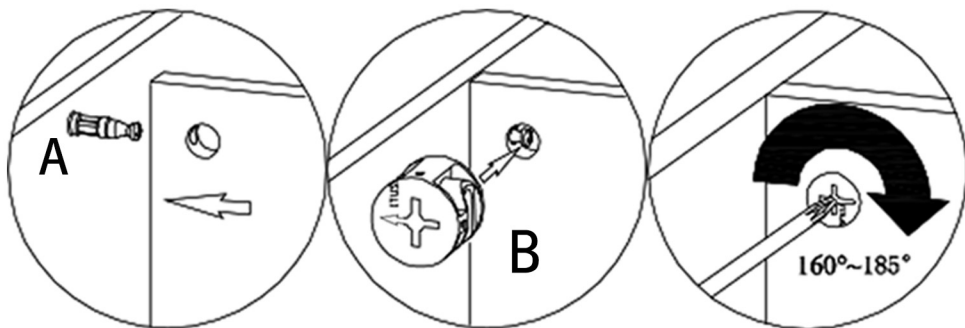
● Please make sure "A" hardware tightened and can't be pulled out



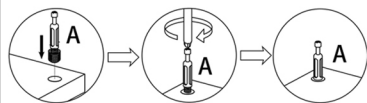
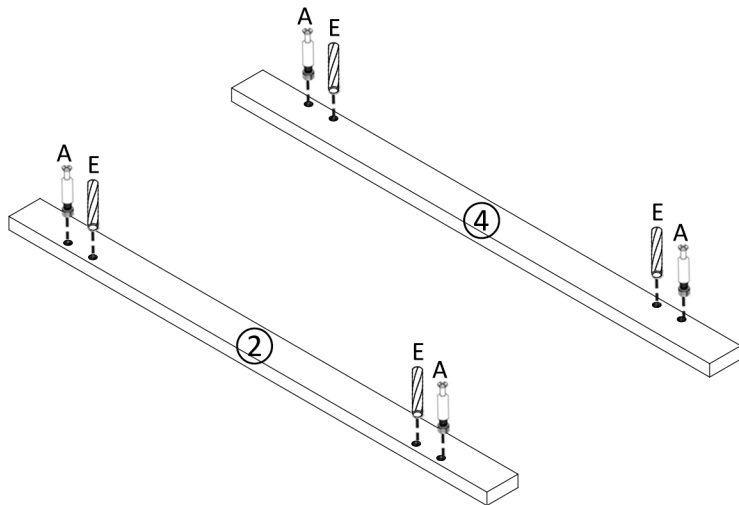




## Hardware installation demonstration

- When inserting cam ensure arrowhead on cam points toward the hole on the panel edge

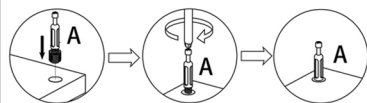
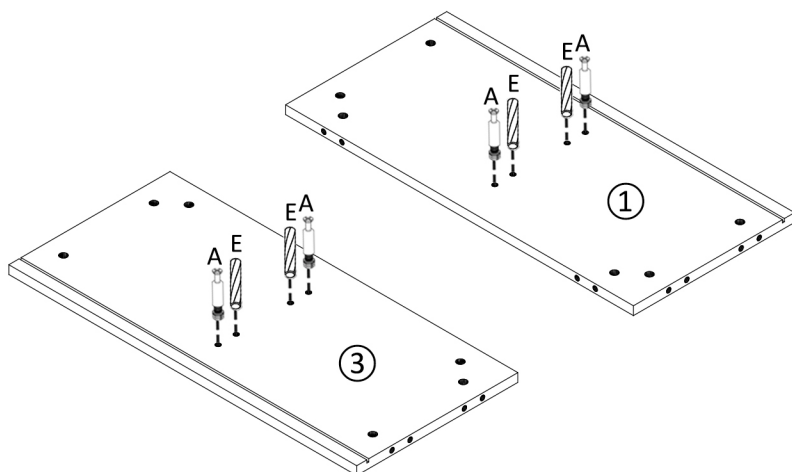




# STEP 1



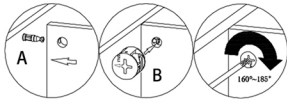
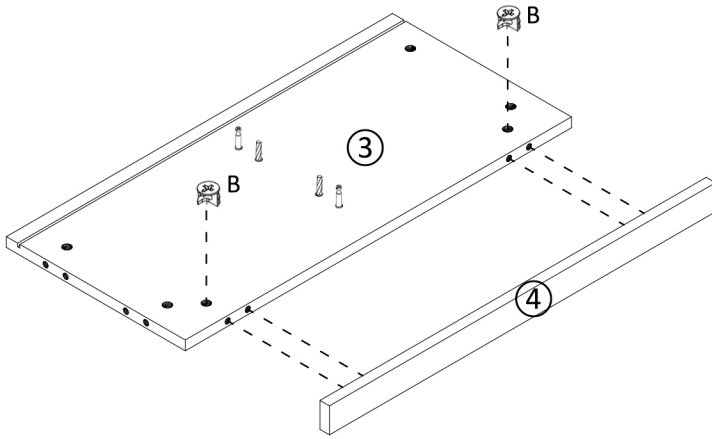
	<b>E*4</b>
	<b>A*4</b>

# STEP 2

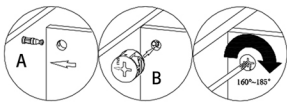
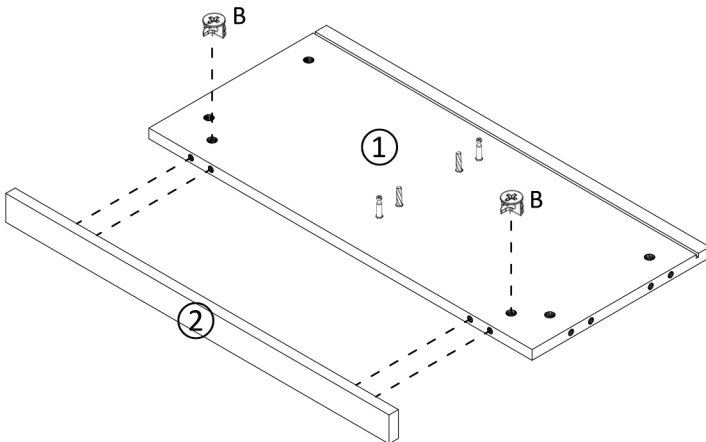


	<b>E*4</b>
	<b>A*4</b>

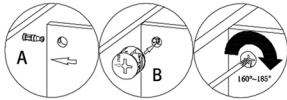
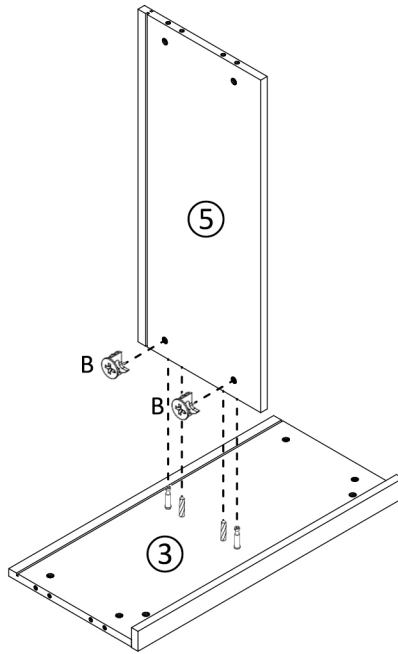
# STEP 3



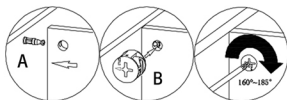
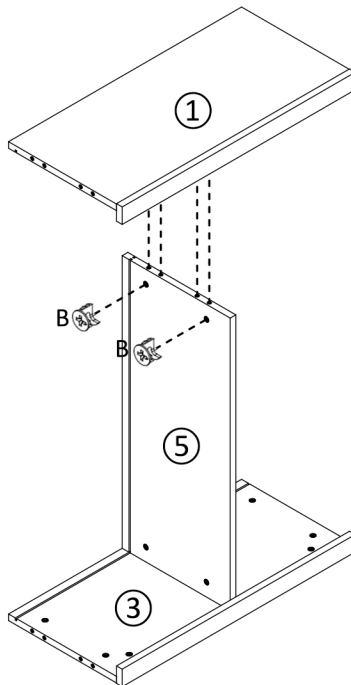
# STEP 4



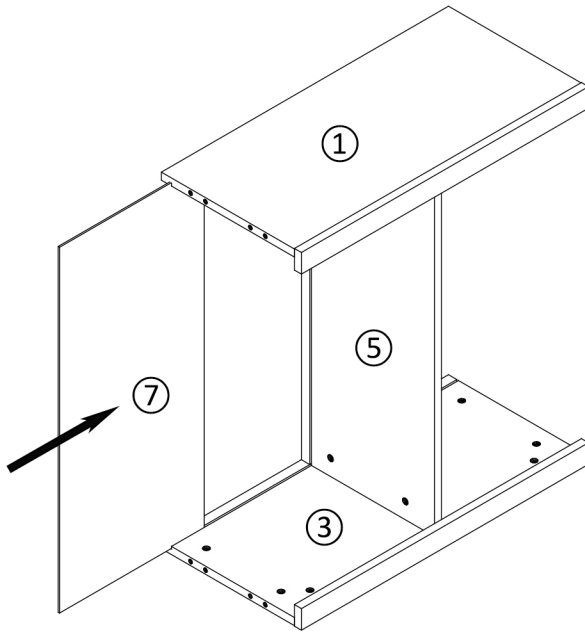
# STEP 5



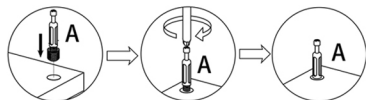
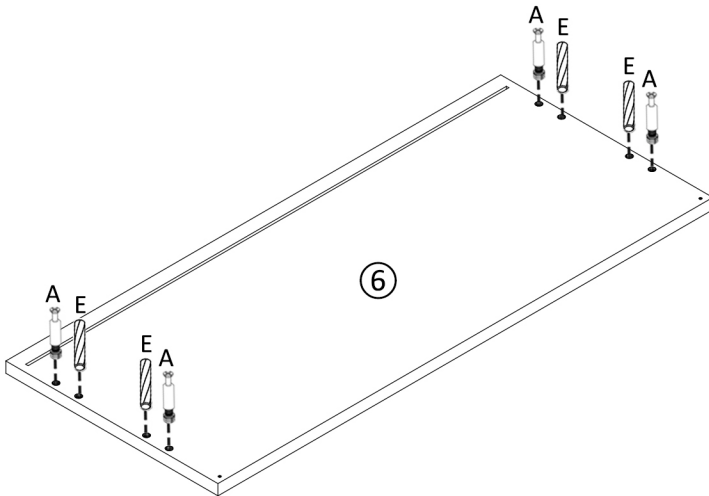
# STEP 6


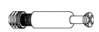


# STEP 7

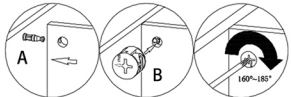
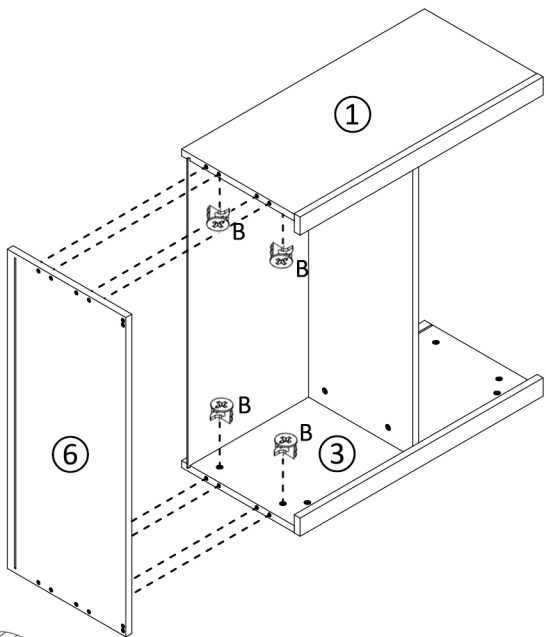


# STEP 8



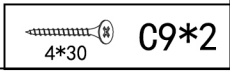
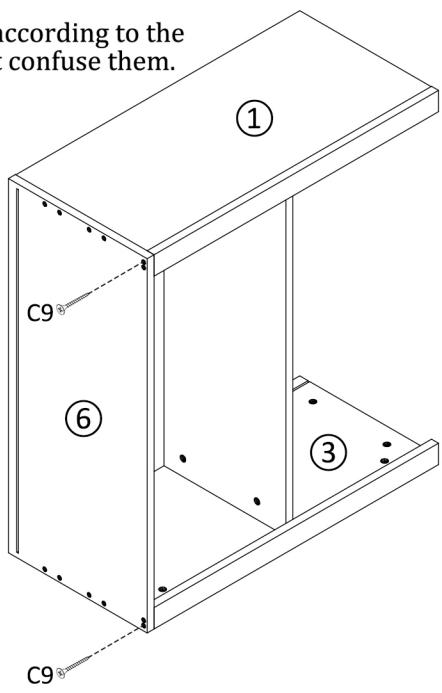
	<b>E*4</b>
	<b>A*4</b>

# STEP 9

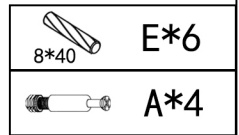
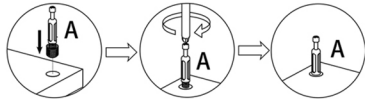
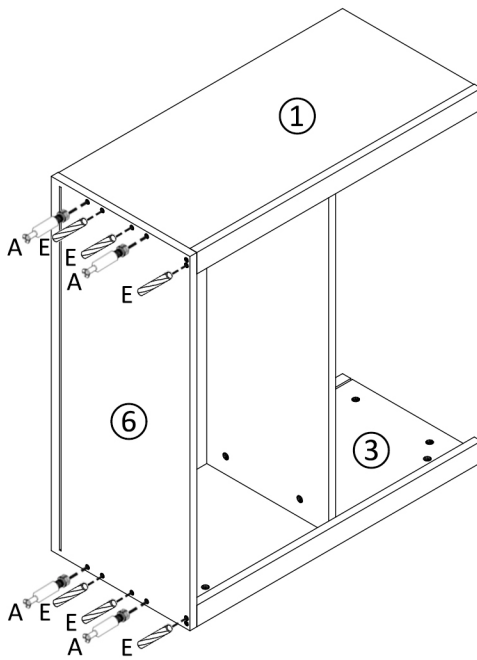


# STEP 10

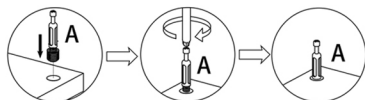
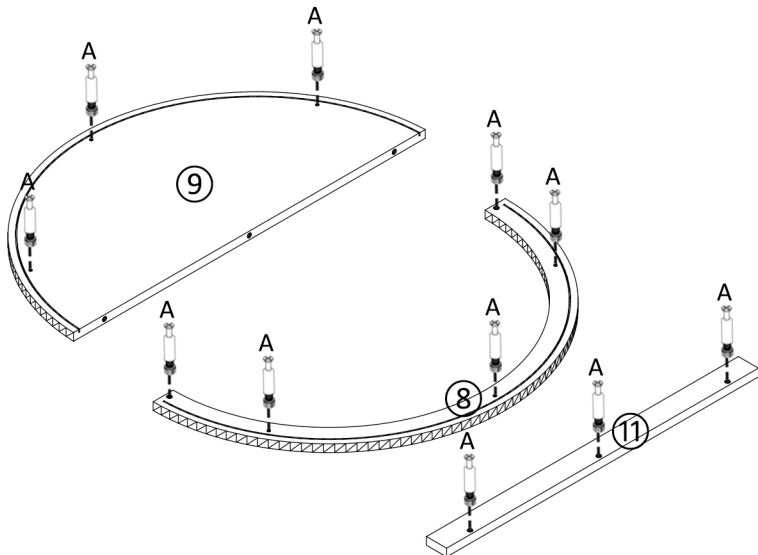
⚠ Please use screws according to the specific size, do not confuse them.



# STEP 11

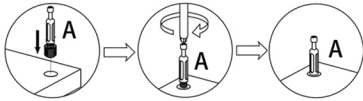
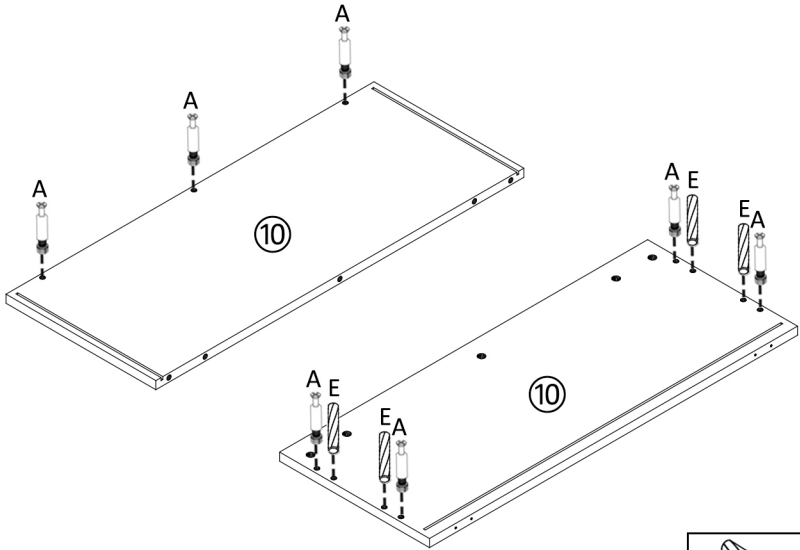




# STEP 12



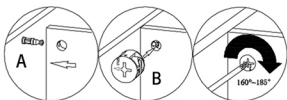
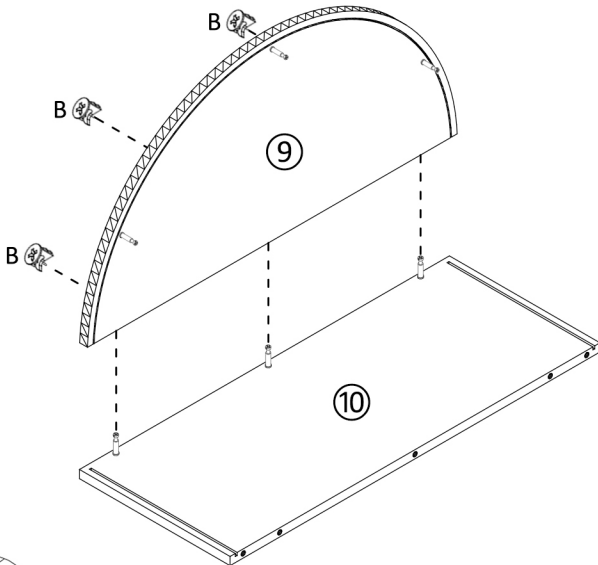
# STEP 13

Flip board #10 180 degrees and install hardware fittings on the opposite side



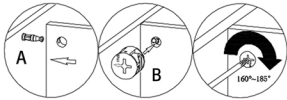
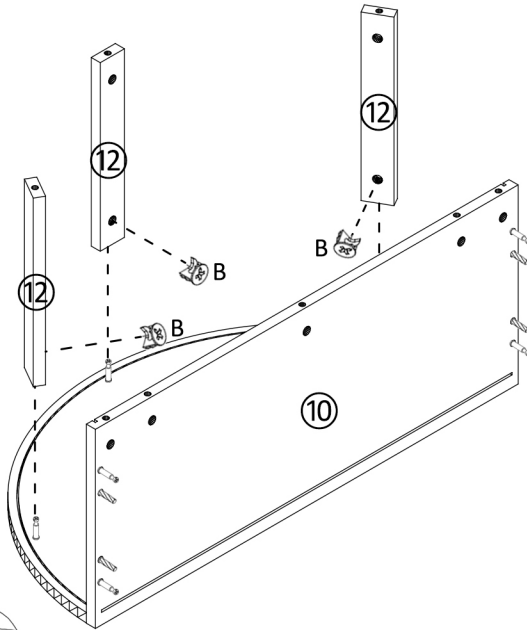
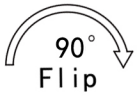
 8*40	<b>E*4</b>
	<b>A*7</b>

# STEP 14



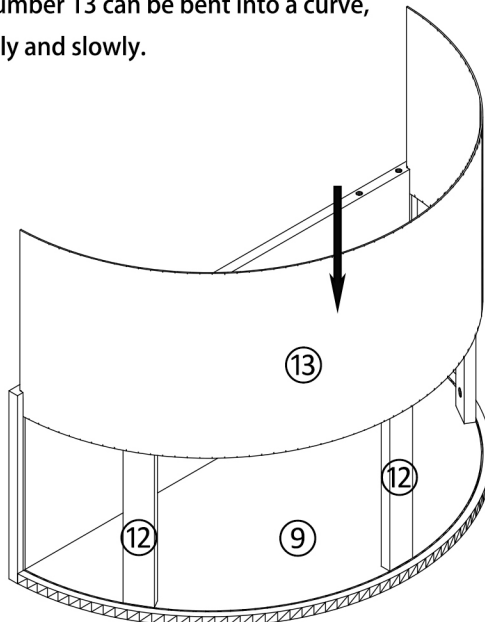
	<b>B*3</b>
---	------------

# STEP 15

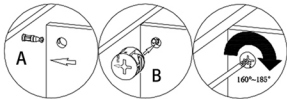
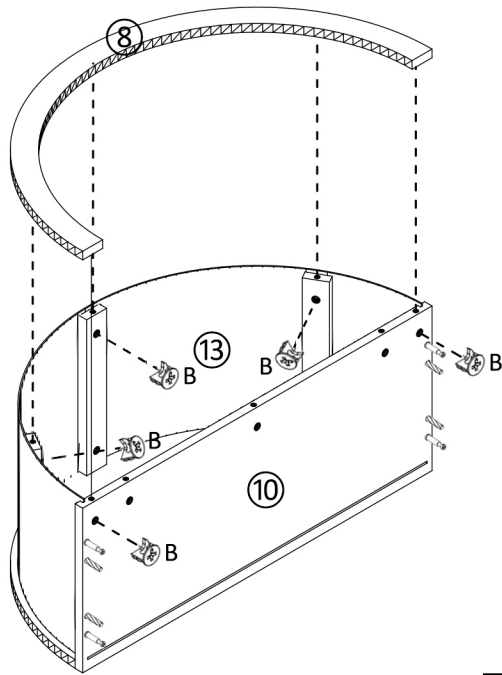


# STEP 16

Please note that panel number 13 can be bent into a curve, but it must be done gently and slowly.

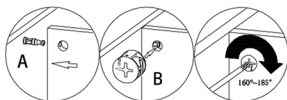
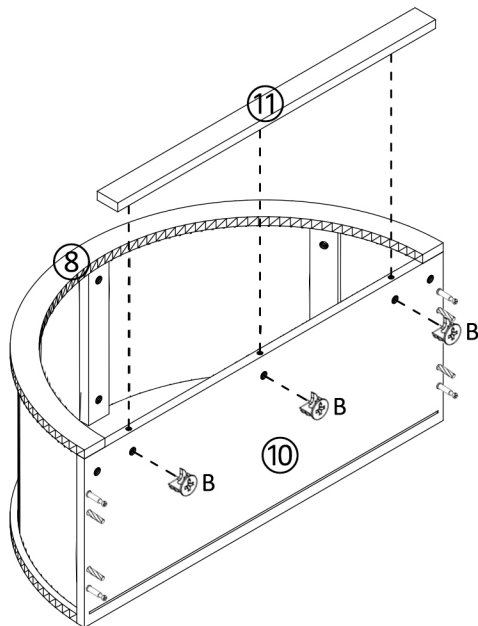


# STEP 17



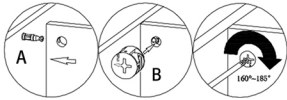
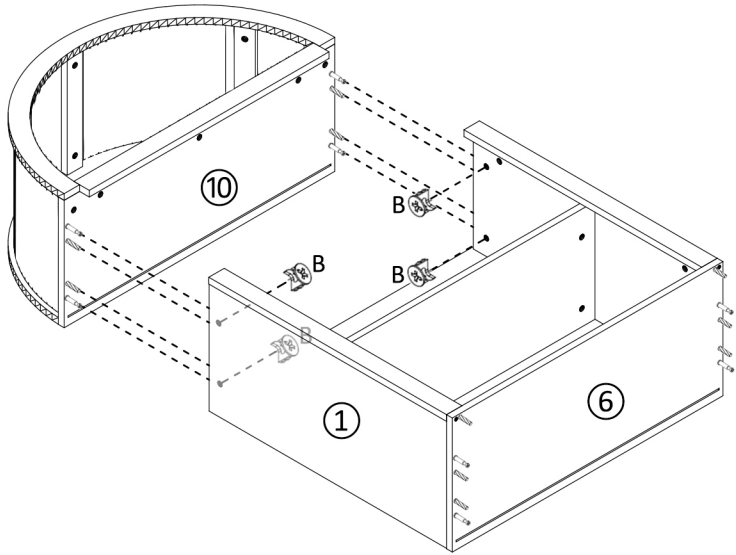
 B\*5

# STEP 18



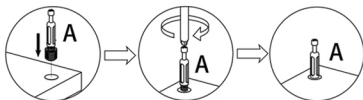
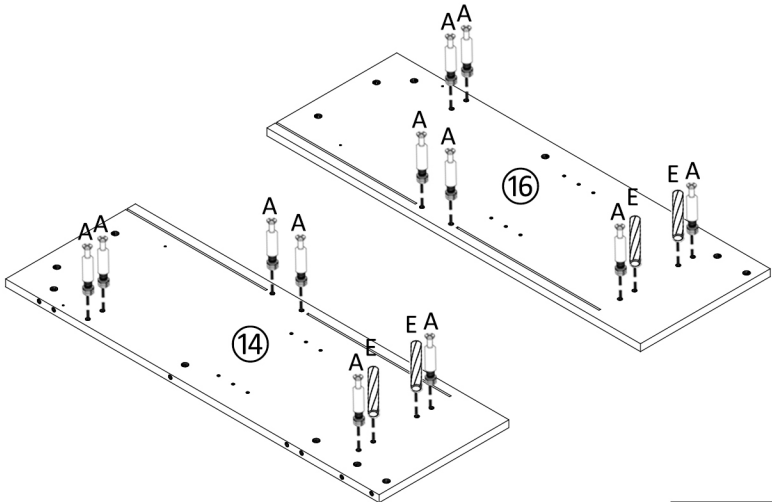
 B\*3


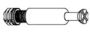
# STEP 19



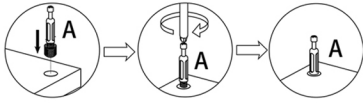
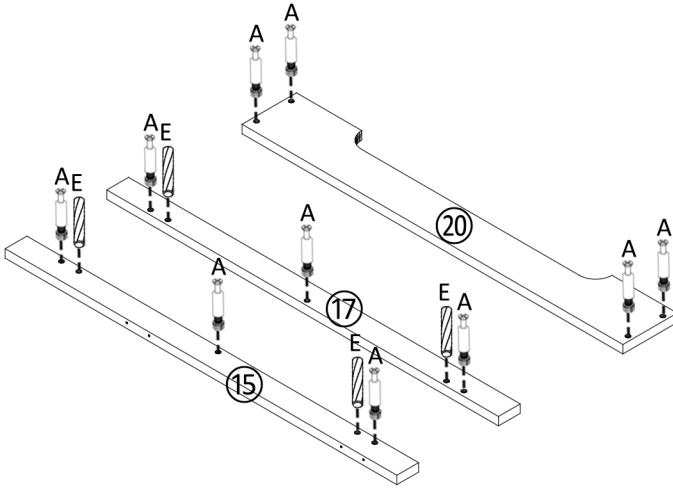
 **B\*4**



# STEP 20



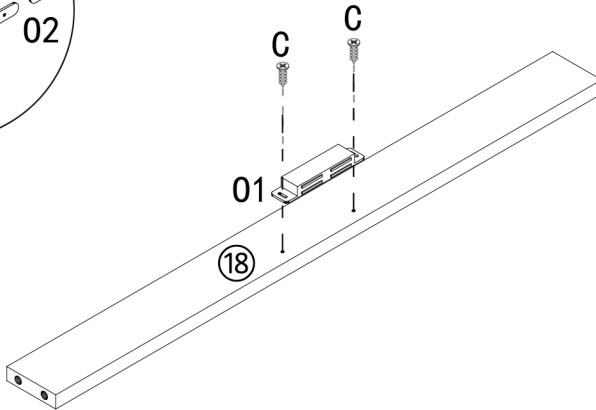
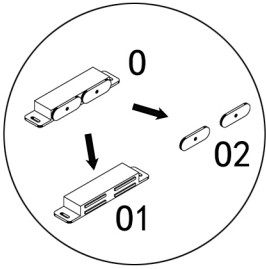
 **E\*4**  
 **A\*12**


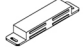
# STEP 21



 8*40	<b>E*4</b>
	<b>A*10</b>

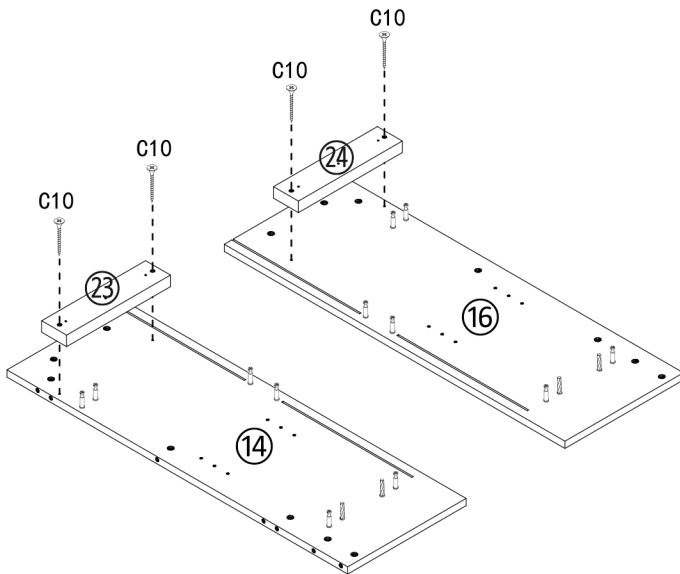
# STEP 22



 3.5*14	<b>C*2</b>
	<b>01*1</b>

⚠ Please use screws according to the specific size, do not confuse them.

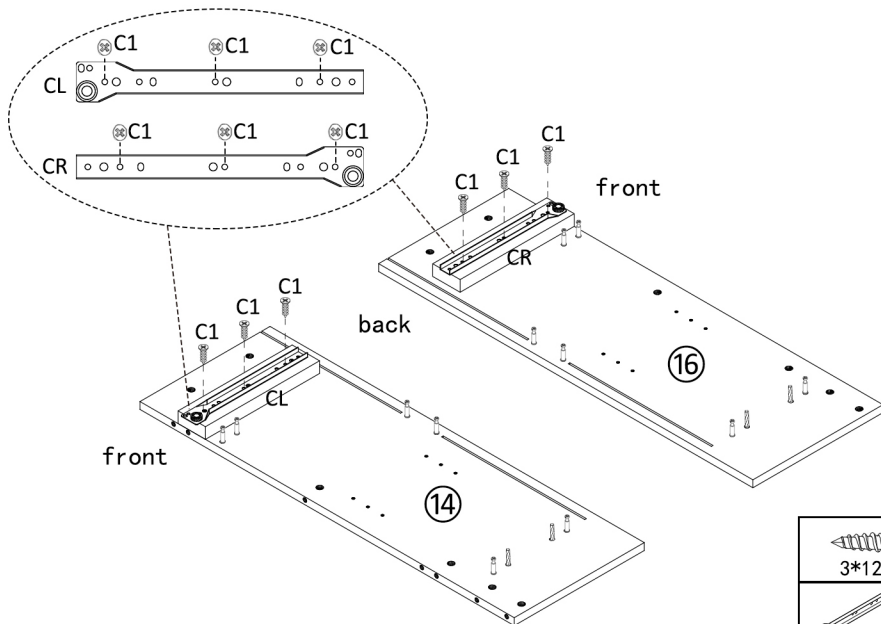
# STEP 23



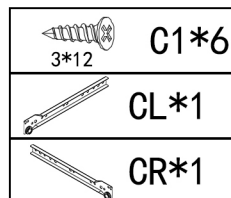
⚠ Please use screws according to the specific size, do not confuse them.



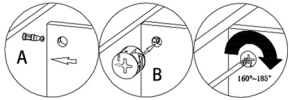
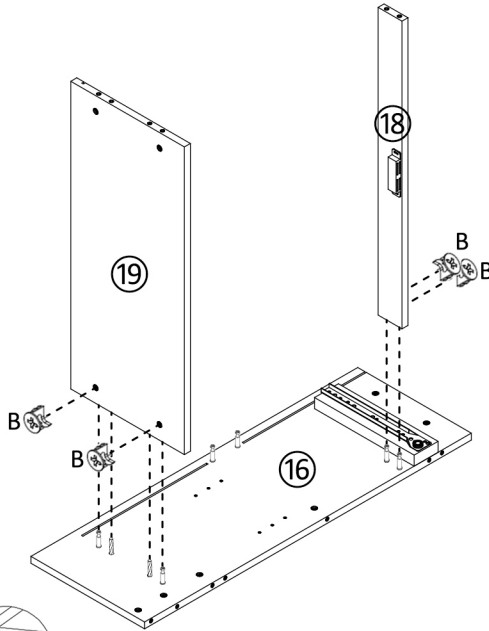
# STEP 24



⚠ Please use screws according to the specific size, do not confuse them.

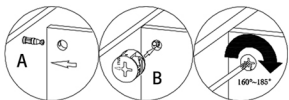
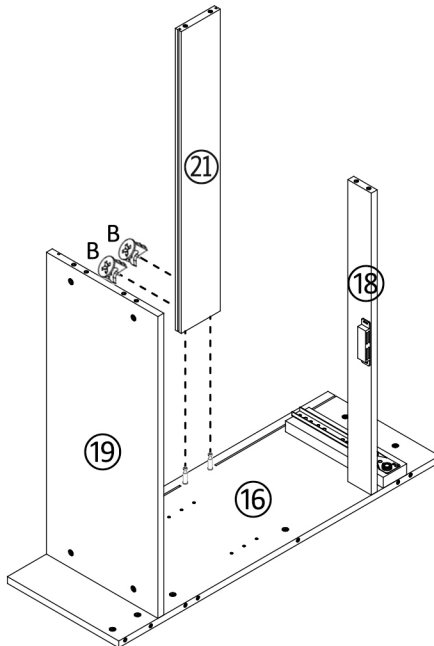


# STEP 25



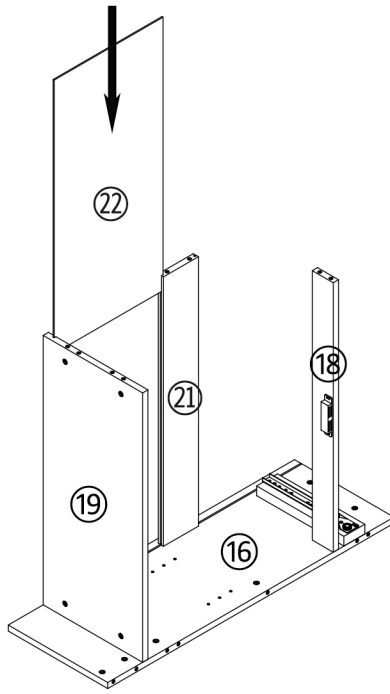
B\*4

# STEP 26

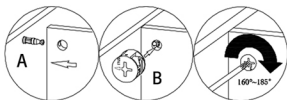
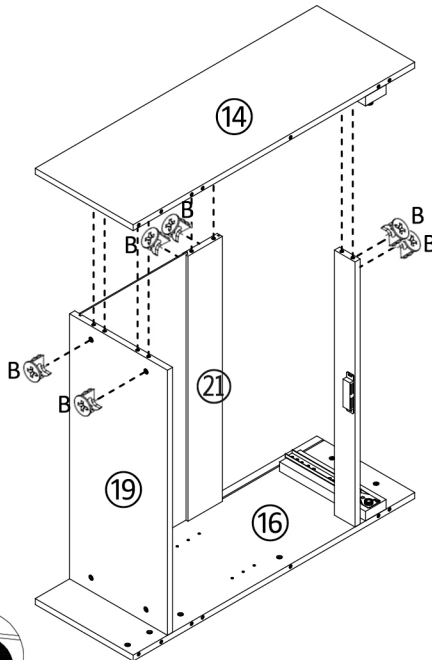


B\*2

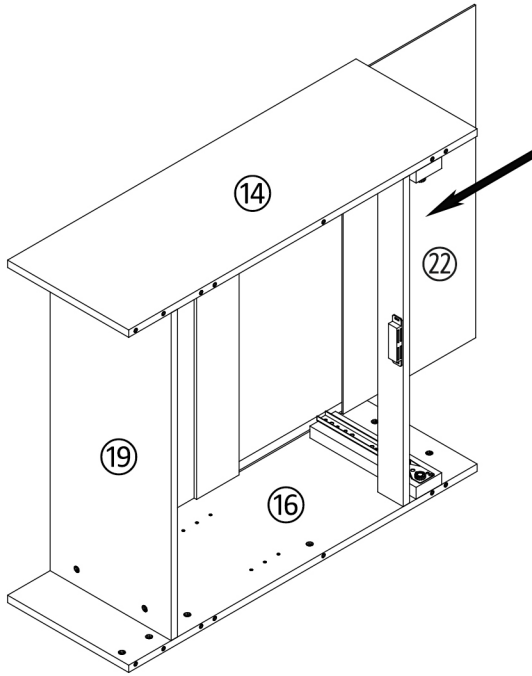
# STEP 27



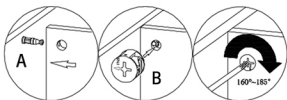
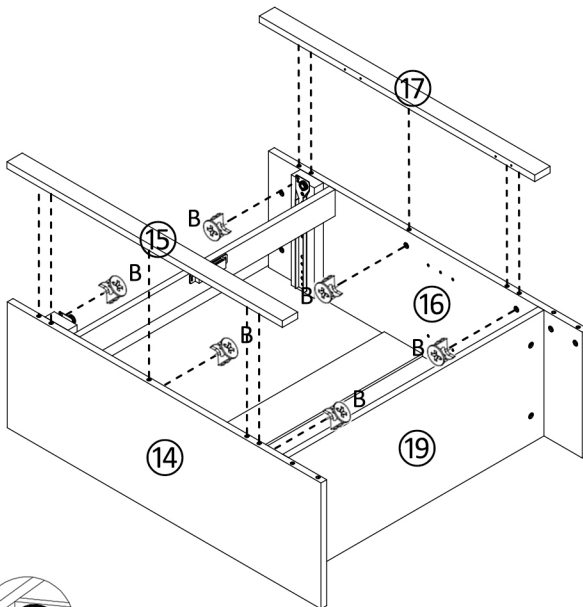
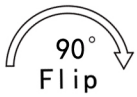
# STEP 28



# STEP 29

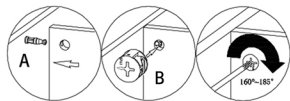
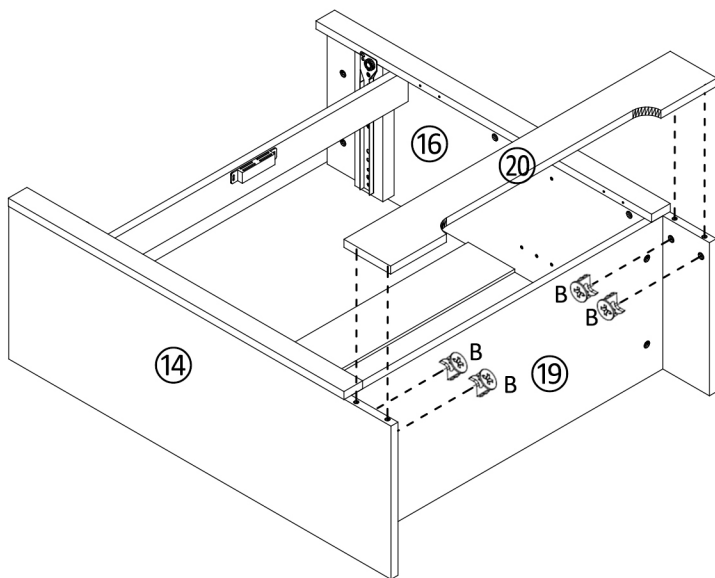


# STEP 30



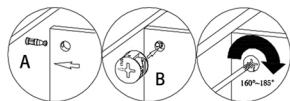
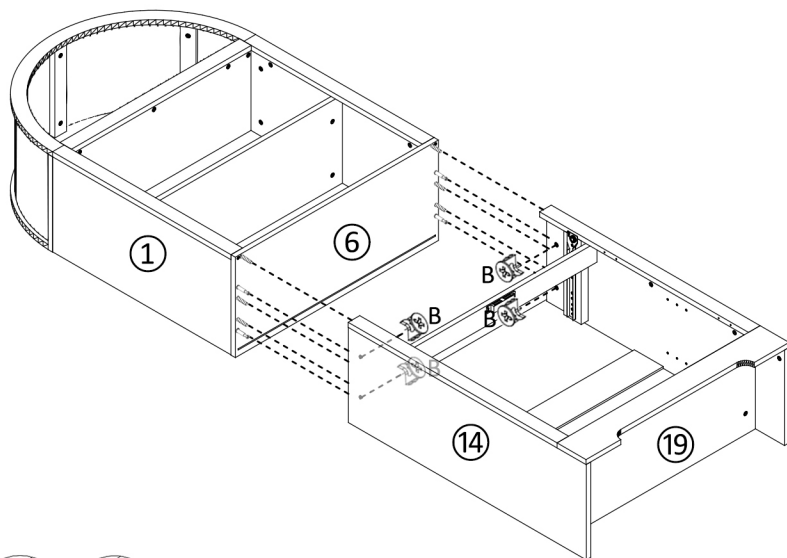
B\*6

# STEP 31



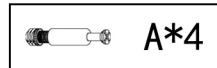
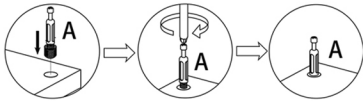
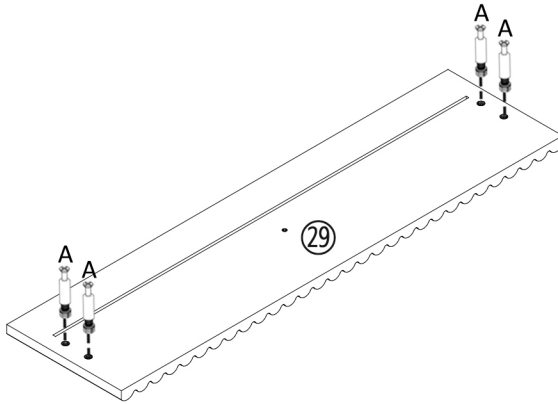
 B\*4

# STEP 32

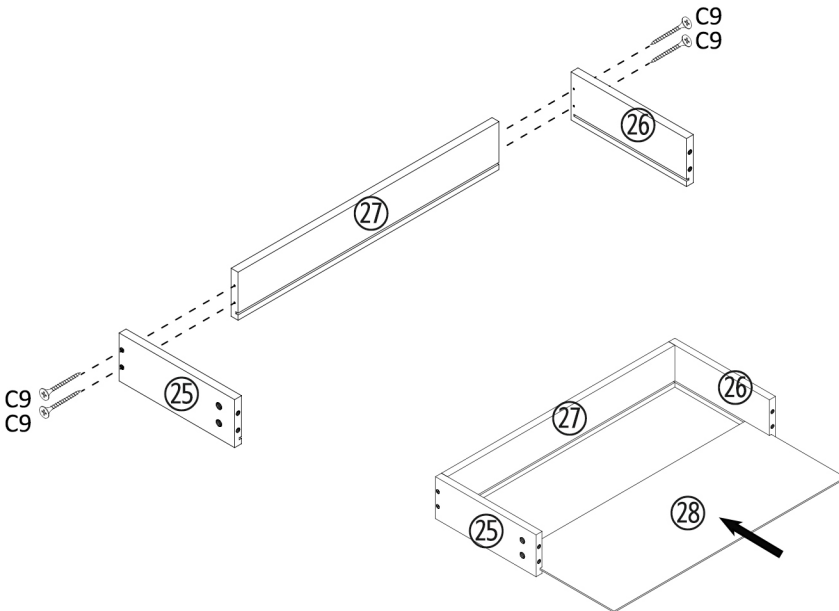


 B\*4

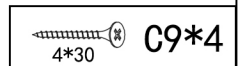
# STEP 33



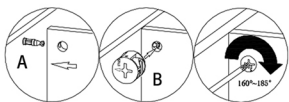
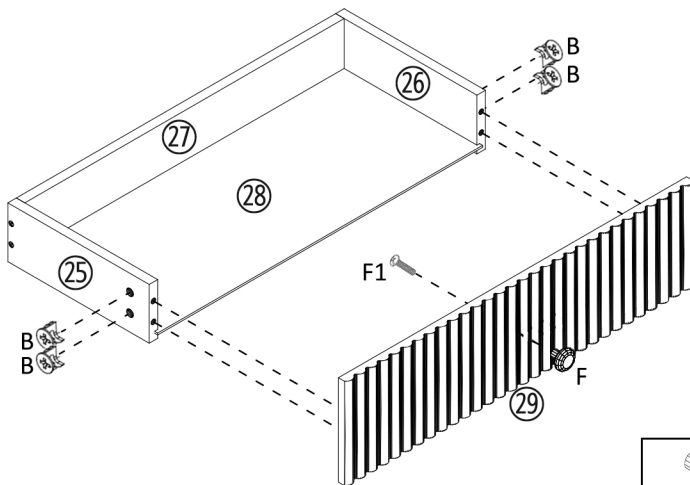
# STEP 34






⚠ Please use screws according to the specific size, do not confuse them.

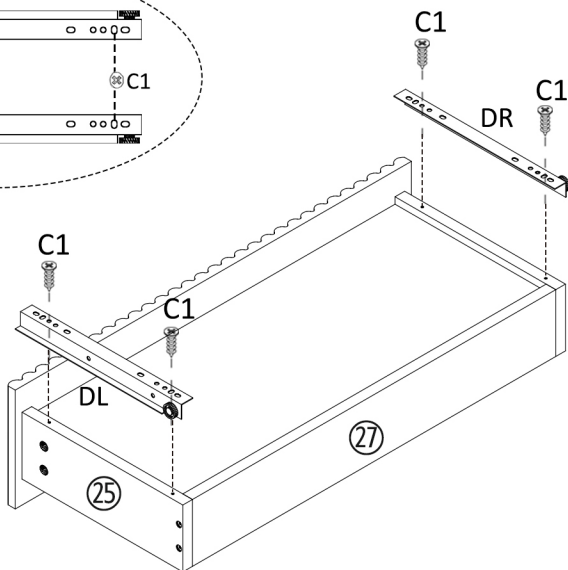
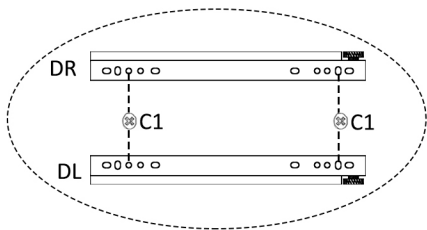



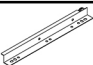
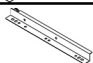
# STEP 35



	F*1
 4*18	F1*1
	B*4

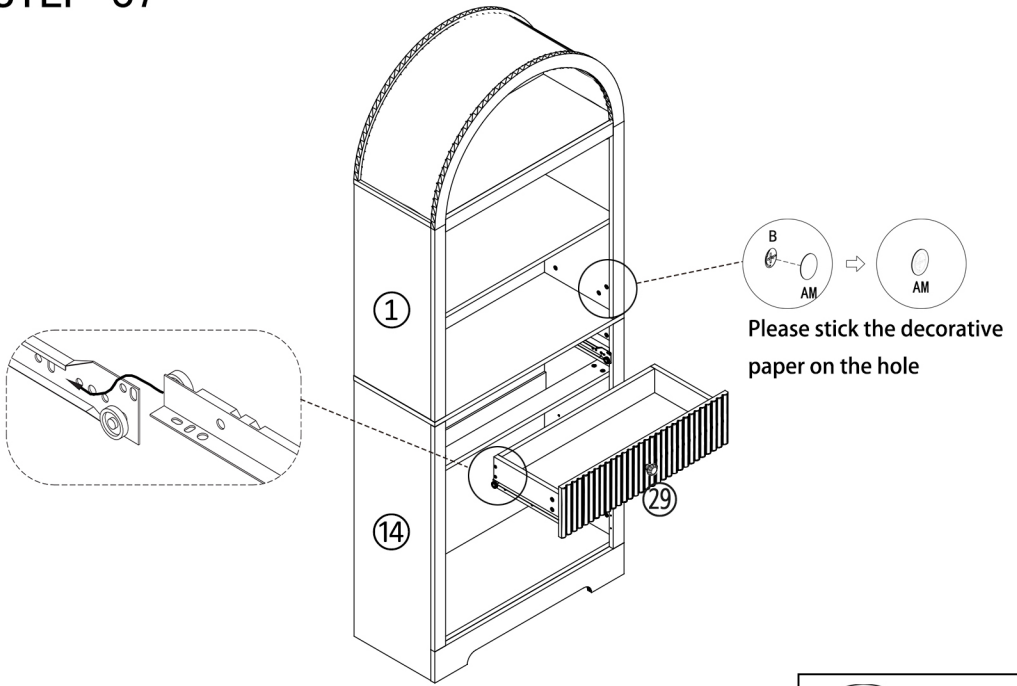
# STEP 36



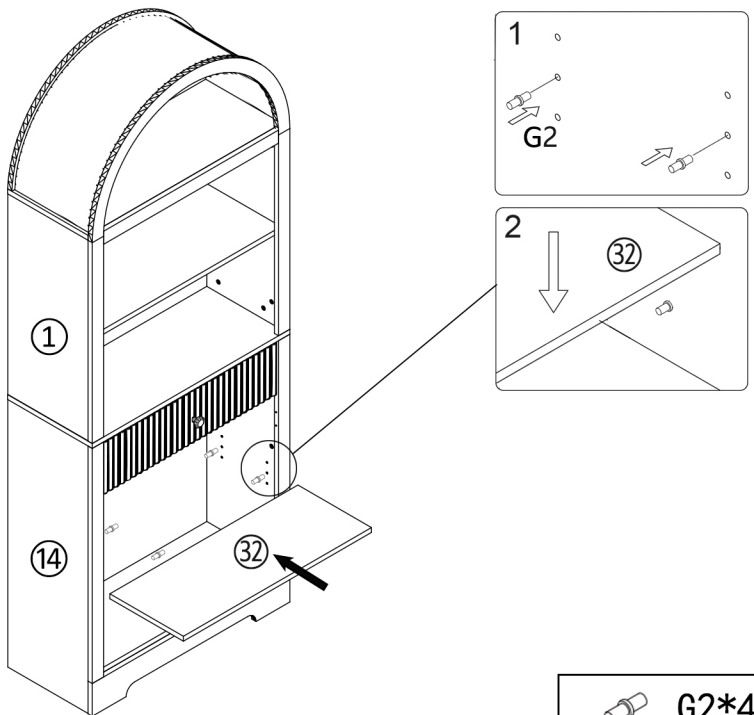
 3*12	C1*4
	DL*1
	DR*1

⚠ Please use screws according to the specific size, do not confuse them.

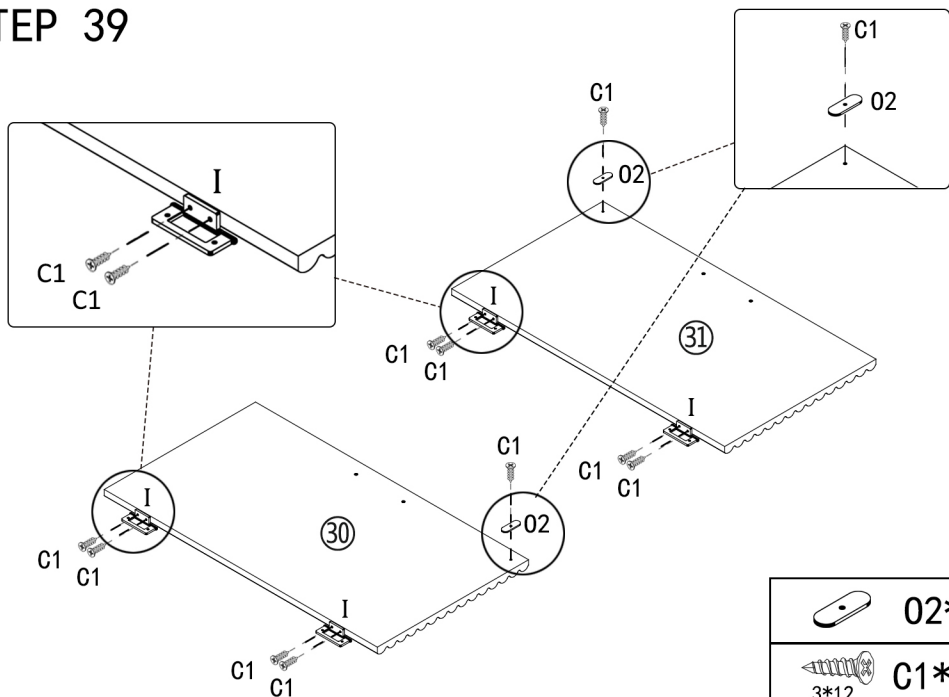
# STEP 37







# STEP 38



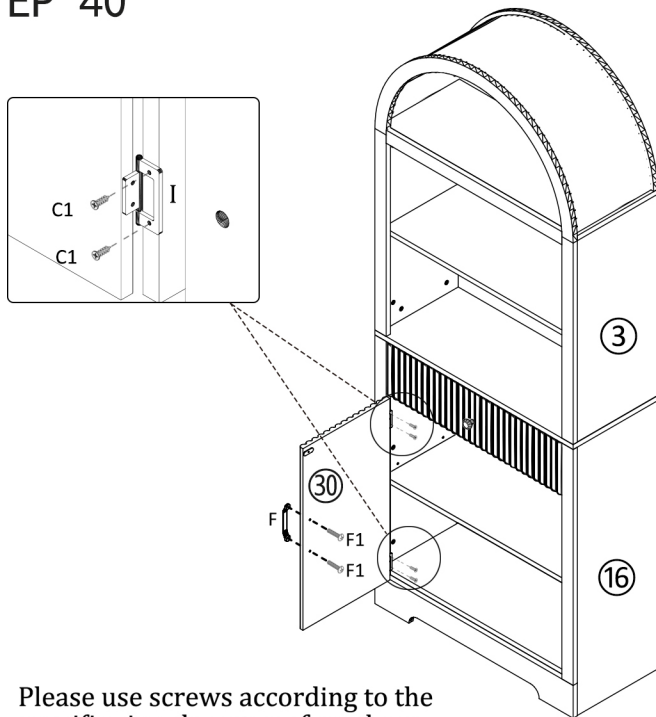
# STEP 39







⚠ Please use screws according to the specific size, do not confuse them.

	<b>I*4</b>
	<b>O2*2</b>
	<b>C1*10</b>
	<b>3*12</b>

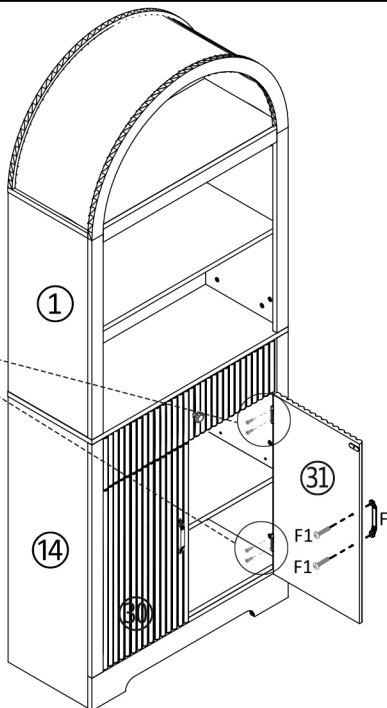
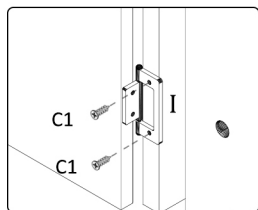
# STEP 40



⚠ Please use screws according to the specific size, do not confuse them.

	<b>F*1</b>
	<b>F1*2</b>
	<b>C1*4</b>
	<b>3*12</b>

# STEP 41

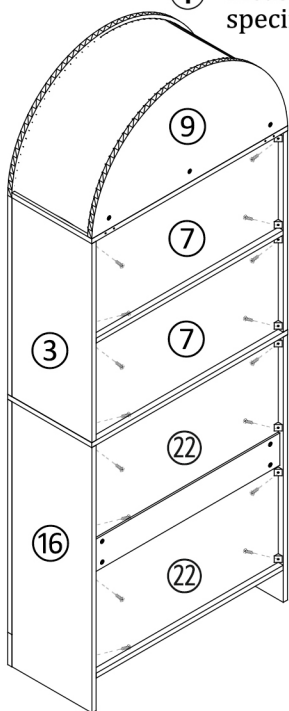
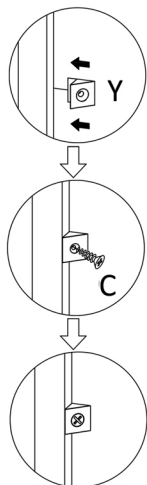


	F*1
	4*18 F1*2
	3*12 C1*4

! Please use screws according to the specific size, do not confuse them.

# STEP 42

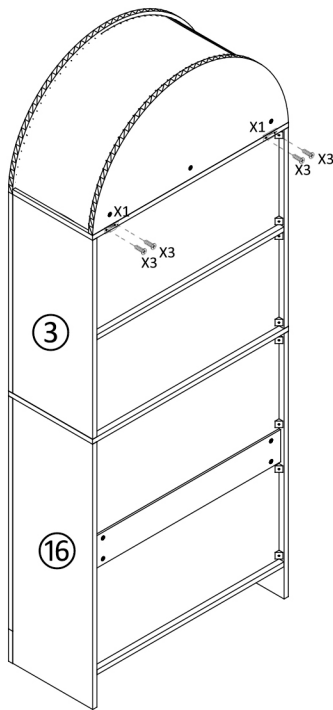
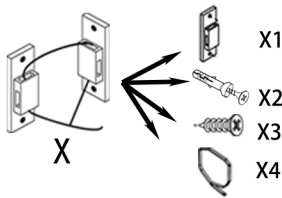
! Please use screws according to the specific size, do not confuse them.



	Y*16
	3.5*14 C*16

Use tools to install if necessary

# STEP 43

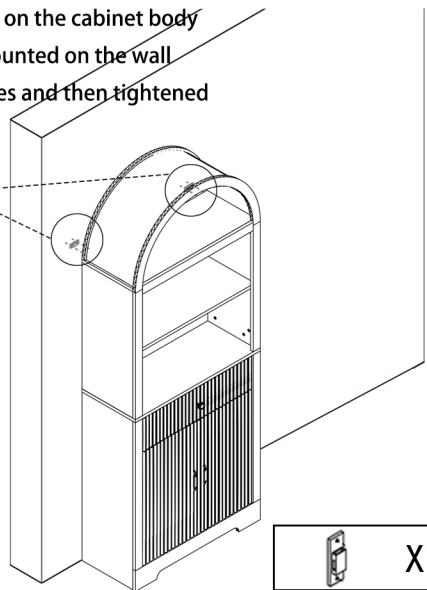
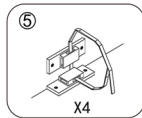
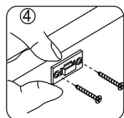
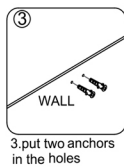
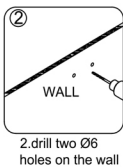
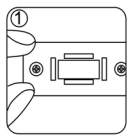
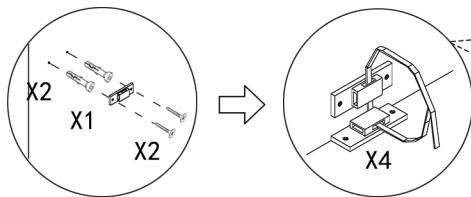


	X3*4
	X1*2

Please separate the parts in bag No.X according to the picture and mark them as X1, X2, X3, and X4.

# STEP 44

1. One side of the anti-toppling safety belt is installed on the cabinet body
2. The other side of the anti-toppling safety belt is mounted on the wall
3. The seat belt is fastened through both safety buckles and then tightened



	X1*2
	X4*2
	X2*4