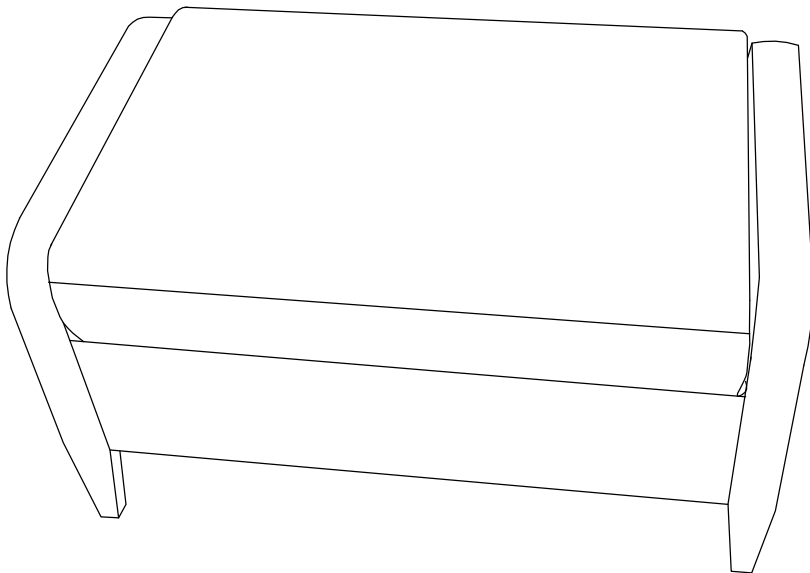
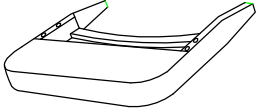
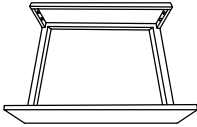
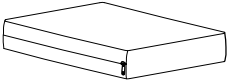


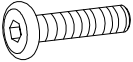

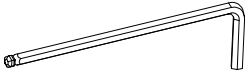
Outdoor Wicker Ottoman



PART LIST

 <p>Side Panel</p>		 <p>Seat Panel</p>	
A	2PCS	B	1PC
 <p>Seat Cushion</p>			
C	1PC		

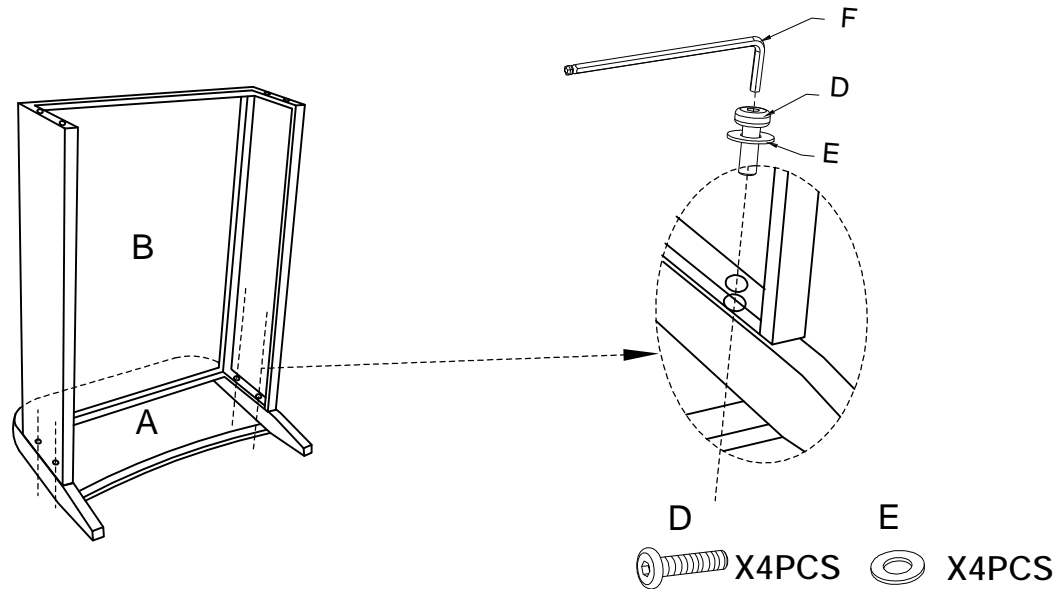
HARDWARE LIST

 <p>Bolt(M6*30mm)</p>		 <p>Washer(M6mm)</p>		 <p>Allen Key(M6mm)</p>	
D	8PCS	E	8PCS	F	1PC

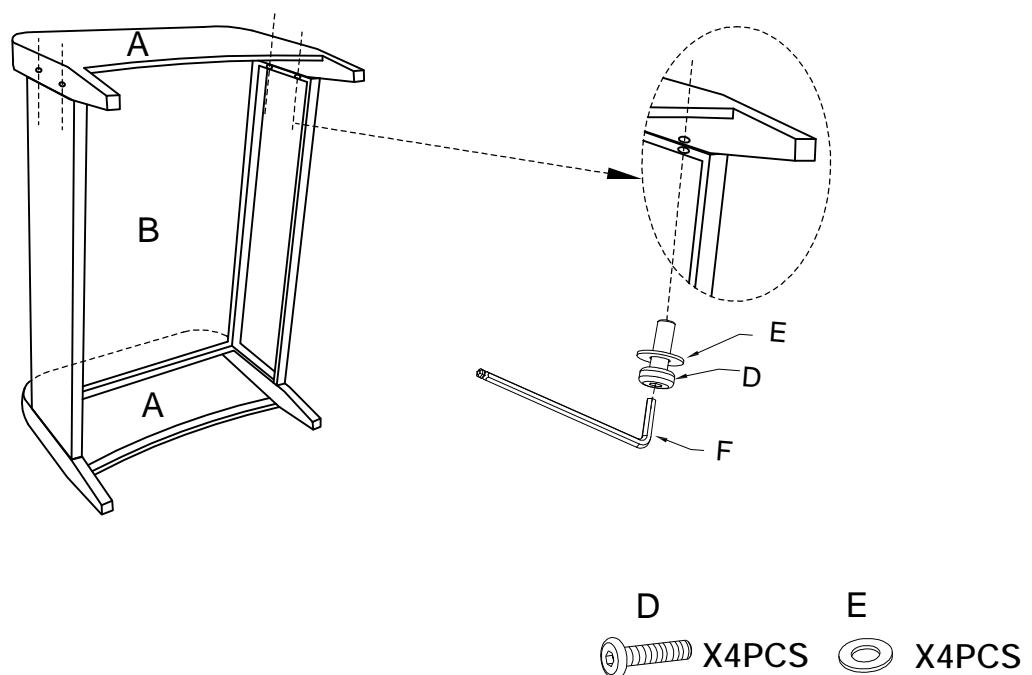
EXTRA HARDWARE LIST

 <p>D X2PCS</p>		 <p>E X2PCS</p>	
--	--	---	--

Step 1. Lay Side Panel (A) down on a flat surface. Attach Seat Panel(B) to Side Panel(A) using the Bolts(D), Washers(E) & Allen Key (F).
 NOTE: Thread down but do not tighten bolts until unit is fully assembled.



Step 2. Attach another Side Panel(A) to Seat Panel(B) using the Bolts(D), Washers(E) & Allen Key (F).



Step 4. Place Cushion on the ottoman.

