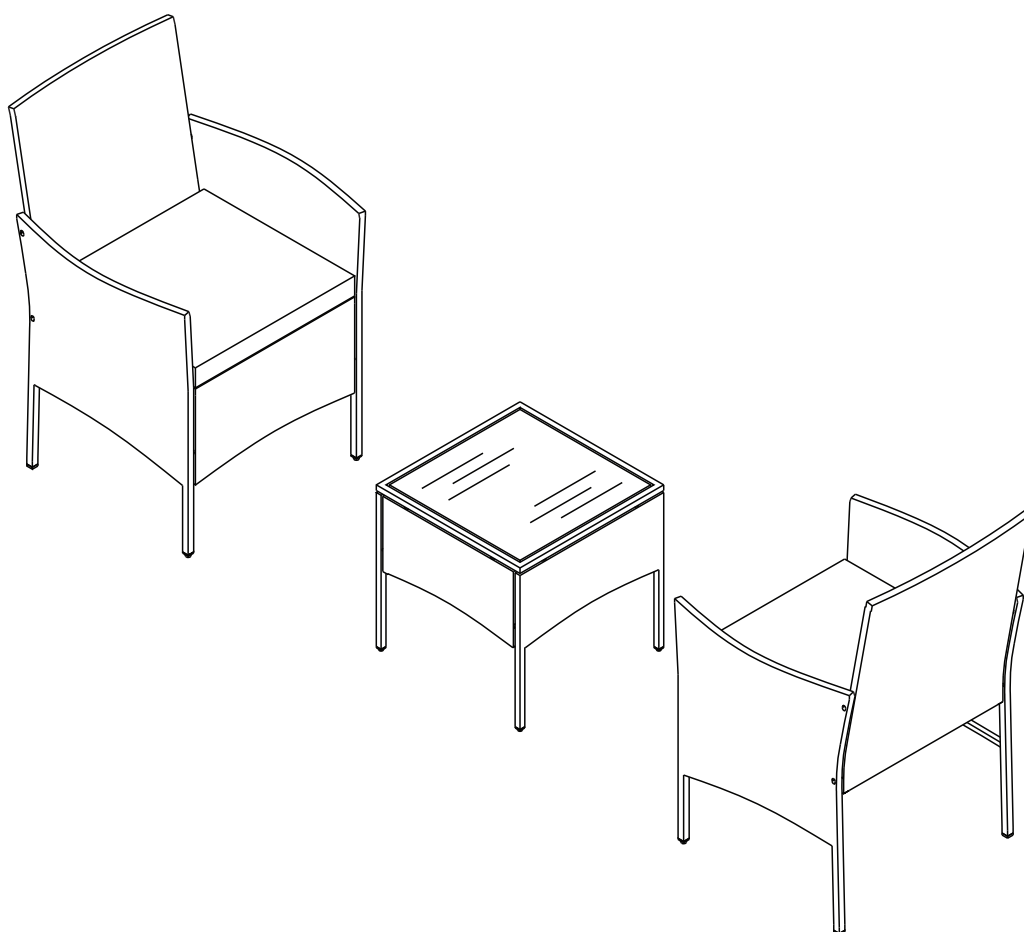


## 3 Pieces Patio Set



# NOTICE

---

**Please keep these instructions for future reference.**

**Dear Customer**

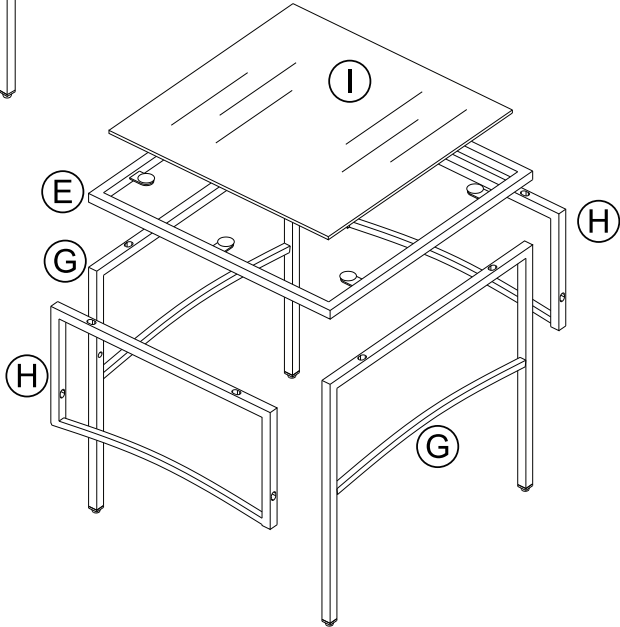
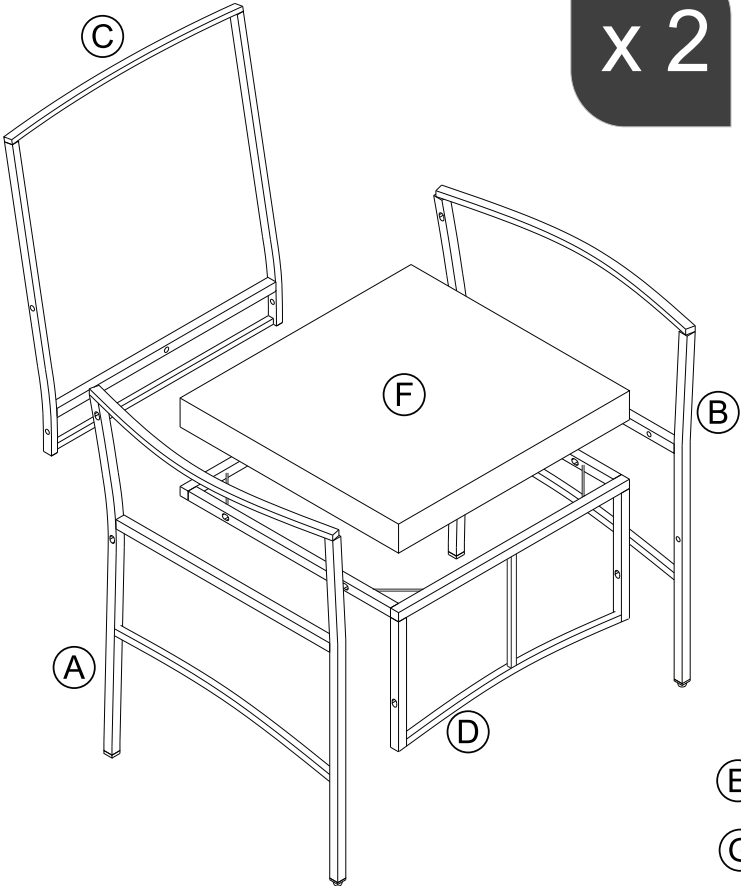
- Thank you for your purchase. When you receive the product, please make sure that all the parts are intact. Then follow the entire installation instructions to install!
- There is an installation video on the product page, you can open the product page to view it or contact customer service to receive it.

- A .** The outer box is damaged
- B .** The product is damaged / bent / cracked while you open the box
- C .** The parts / accessories / assembly tools are missing
- D .** The instructions are not clear and can not be referred
- E .** The product has functional problems
- F .** Other aspects that you are not satisfied with

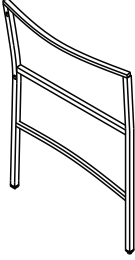
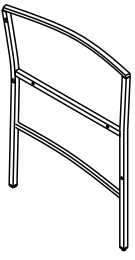
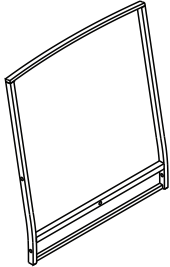
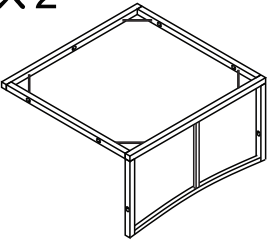
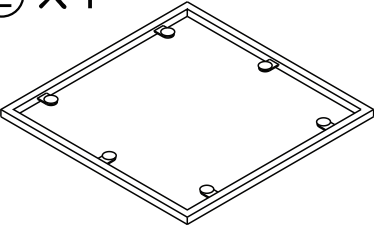
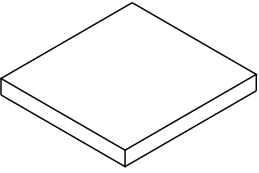
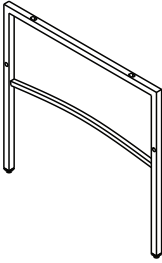
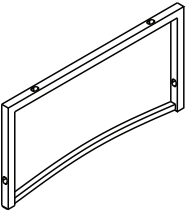
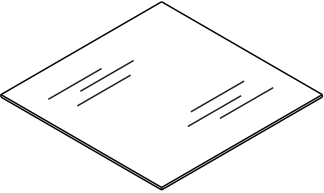
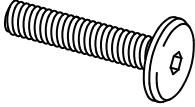


Please feel free to contact us for help, and provide the following information: Plat-form/ Shop name/ Order ID/ buyer's name/ receiver's address/ Problem description. We will reply within 24 hours and will do our best to resolve the problem for you.

# EXPLODED DRAWING

x 2

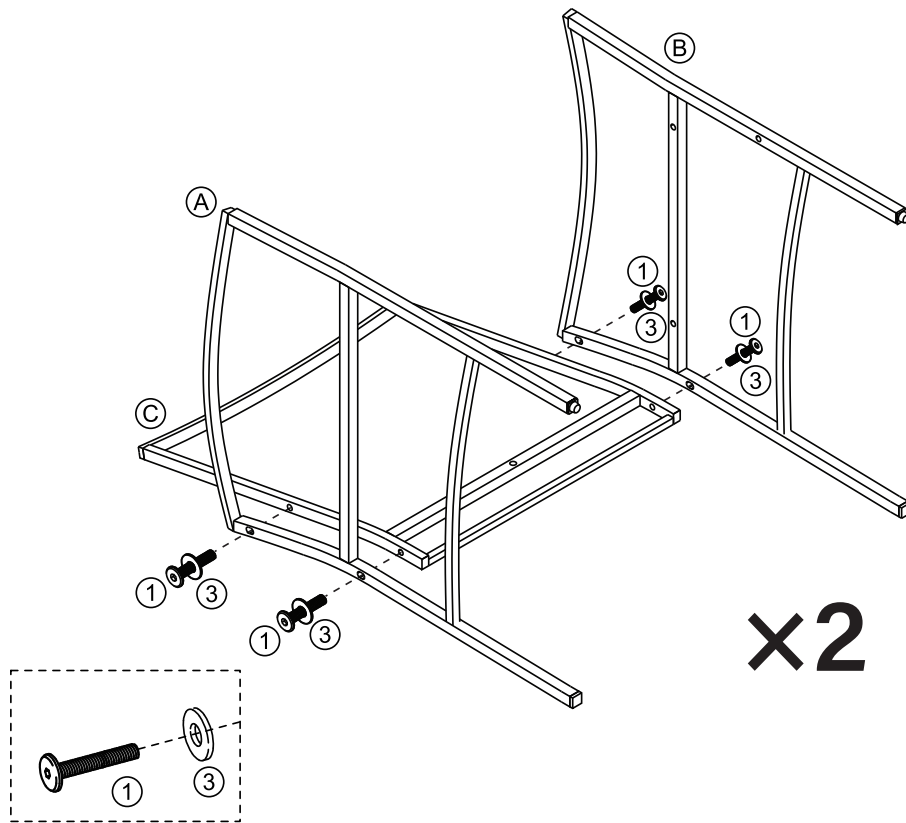


# PART LIST

Ⓐ X2 	Ⓑ X2 	Ⓒ X2 
Ⓓ X2 	Ⓔ X1 	Ⓕ X2 
Ⓖ X2 	Ⓗ X2 	Ⓖ X1 
① X34 	② X2 	③ X34 

# STEP

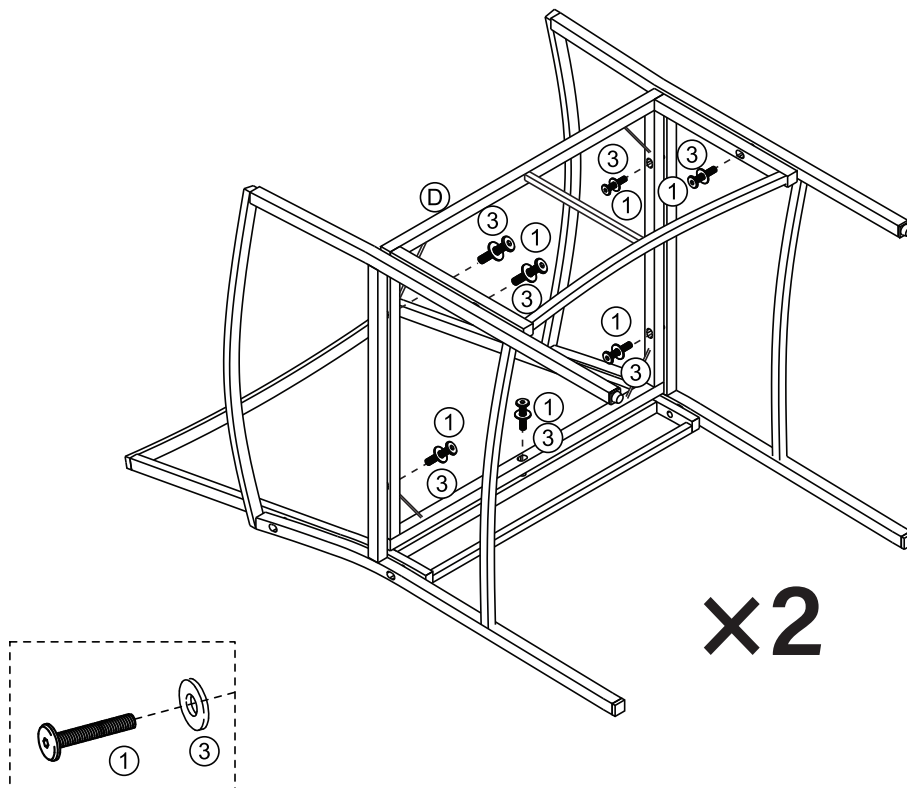
01



x2

1	3
4 pcs	4 pcs

02



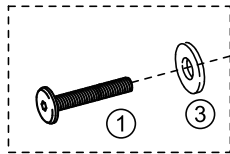
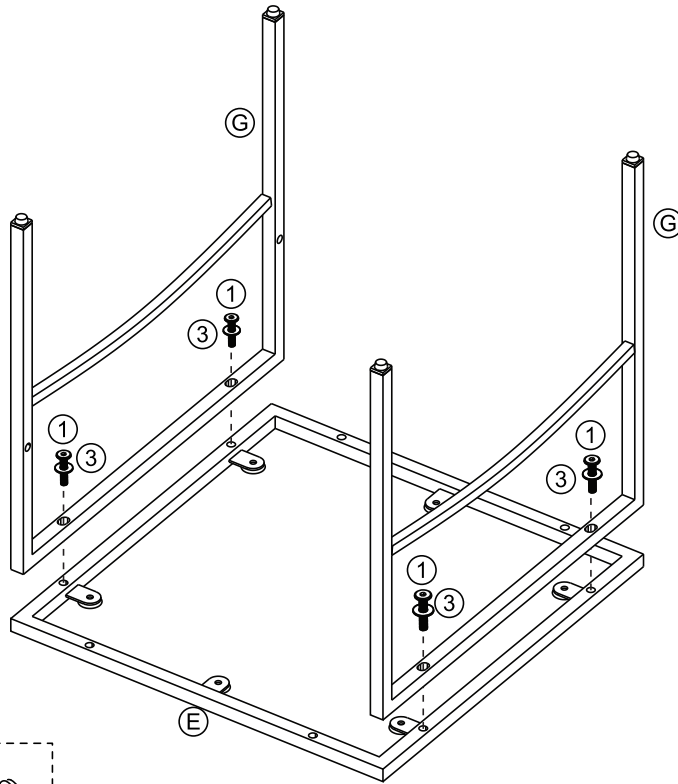
x2

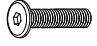

1	3
7 pcs	7 pcs

04

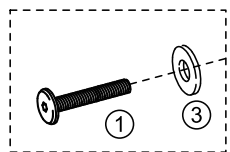
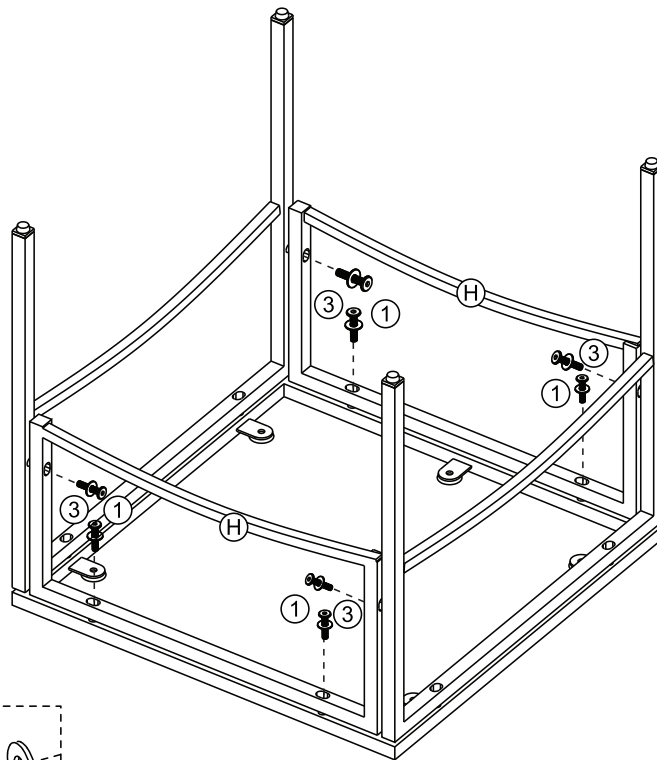
# STEP



03



1	3
	
4 pcs	4 pcs

04

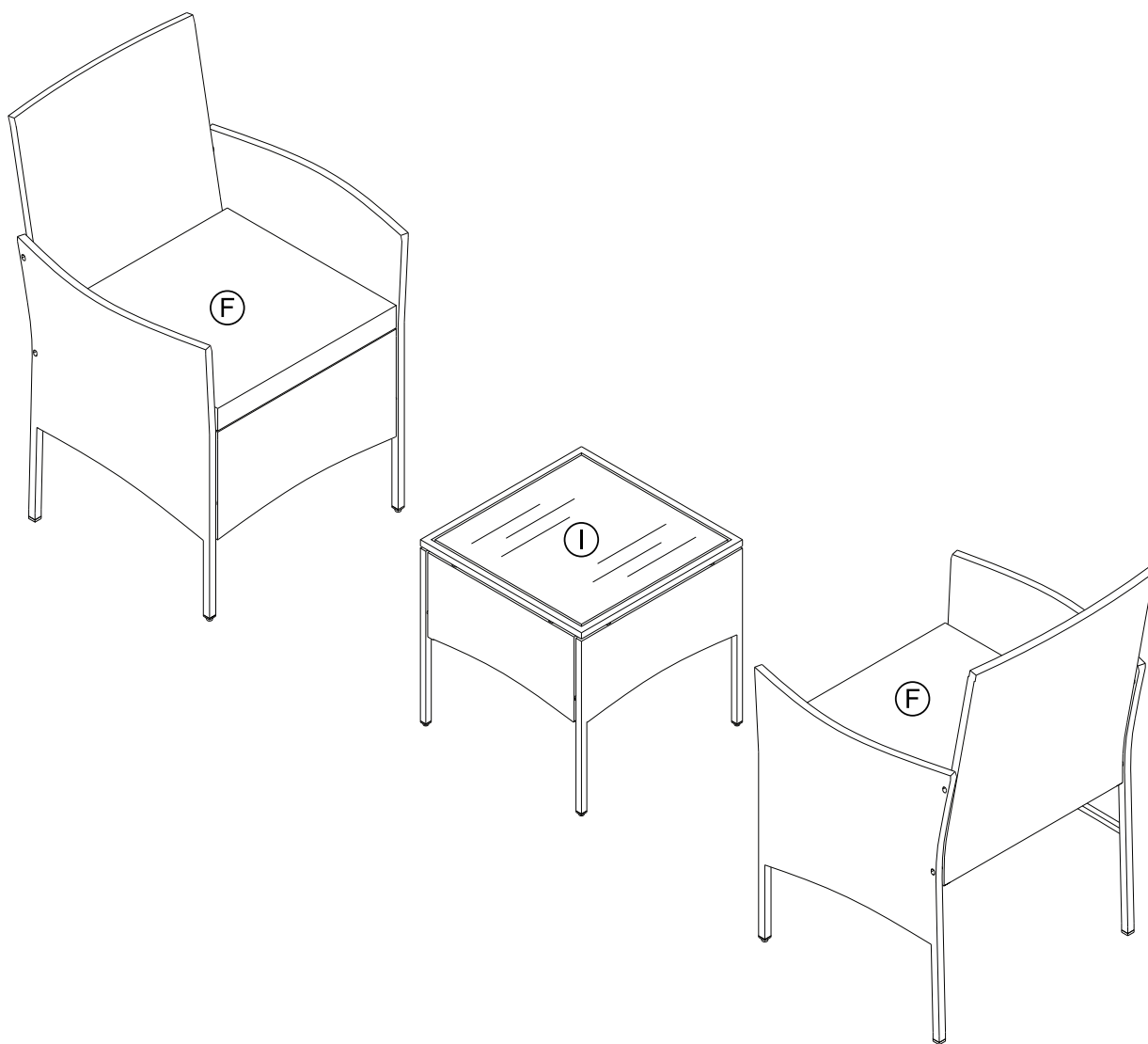


1	3
	
8 pcs	8 pcs

05

# STEP

05



06