

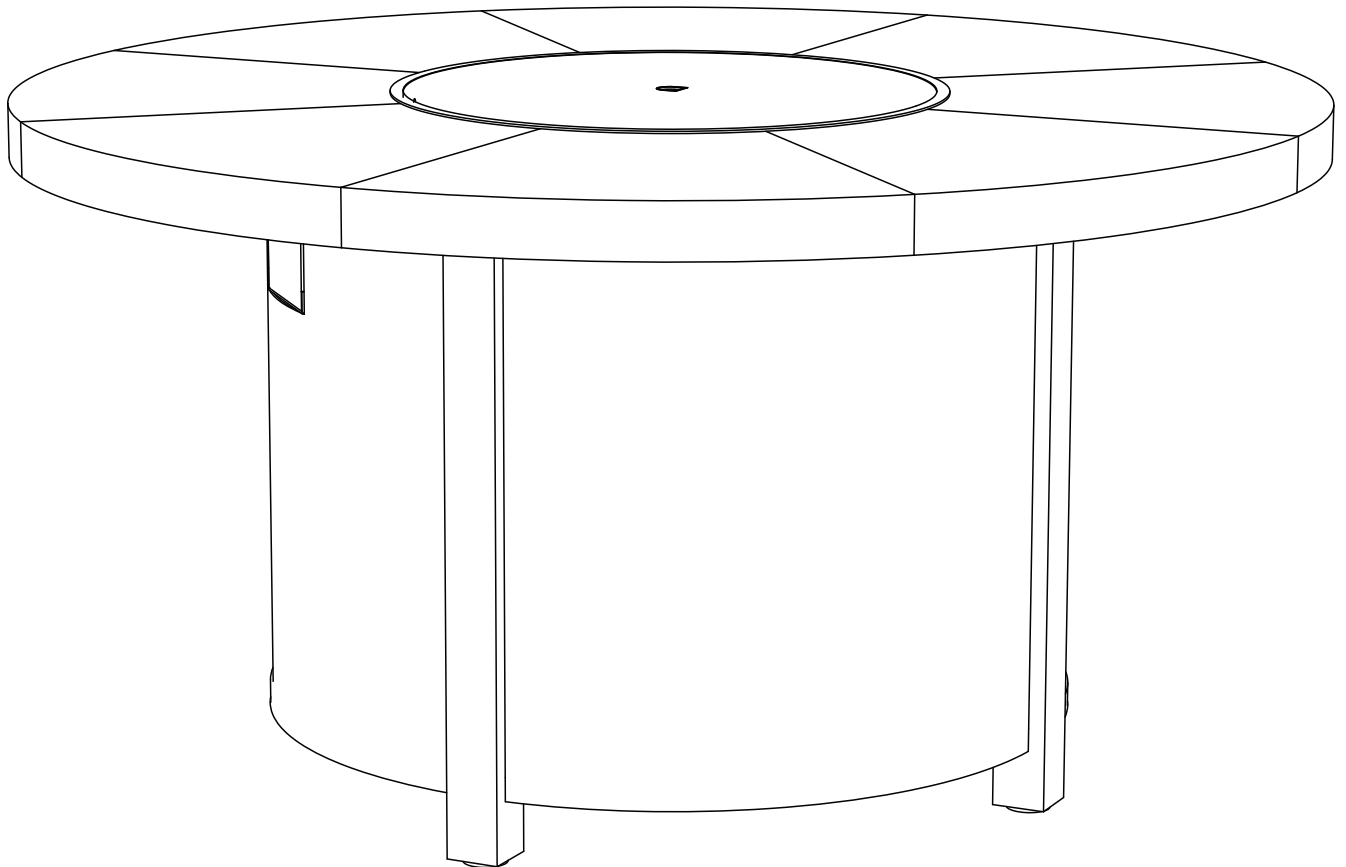
INSTRUCTION

Metal Round Gas Fire Pit Table Set

Please keep this instruction in a safe place for future reference.

If you have any questions about the Metal Round Gas Fire Pit Table Set, please feel free to contact us.

Customer Service Email: Service@alaulm.com



IMPORTANT

PLEASE READ BEFORE YOU COMMENCE ASSEMBLY

Follow the guidelines in this user guide to ensure correct assembly and care for this product.

Catalog

| | |
|--|----|
| Warning | 01 |
| Caution | 04 |
| Operation and Storage | 08 |
| Cleaning and Care | 11 |
| Specification and Parts | 12 |
| Parts List | 13 |
| Screw Set | 14 |
| Extra | 15 |
| Cavat | 16 |
| How To Assemble The Fire Pit Table | 17 |
| Problems Check List | 26 |

Warning

PLEASE READ THE FOLLOWING SAFETY RULES PRIOR TO OPERATION OF THE HEATER

WARNING

- 1) For use outdoors or in amply ventilated areas.
- 2) An amply ventilated area must have a minimum of 25 % of the surface area open.
- 3) The surface area is the sum of the walls surface.

DANGER

CARBON MONOXIDE HAZARD

This appliance can produce carbon monoxide which has no odor.

Using it in an enclosed space can kill you.

Never use this appliance in an enclosed space such as a camper, tent, car or home.



DANGER

FIRE OR EXPLOSION HAZARD

If you smell gas:

- Shut off gas to the appliance.
- Extinguish any open flame.
- If odor continues, leave the area immediately.
- After leaving the area, call your gas supplier or fire department.

Failure to follow these instructions could result in fire or explosion, which could cause property damage, personal injury, or death.

WARNING

If the information in this manual is not followed exactly, a fire or explosion may result causing property damage personal injury, or loss of life.

WARNING

Do not store or use gasoline, or other flammable liquids or vapors in the vicinity of this or any other appliance.

An LP-cylinder not connected for use shall not be stored in the vicinity of this or any other appliance.

INSTALLER: Leave this manual with the appliance
CONSUMER: Retain this manual for future reference

WARNING: For outdoor use only.

Installation and service must be performed by a qualified installer, service agency, or the gas supplier.



SAVE THESE INSTRUCTIONS

Product has been CSA tested and certified

Warning

**! DANGER-FLAMMABLE GAS UNDER PRESSURE.
LEAKING LP-GAS MAY CAUSE A FIRE OR EXPLOSION IF IGNITED
CAUSING SERIOUS BODILY INJURY OR DEATH.
CONTACT LP GAS SUPPLIER FOR REPAIRS, OR DISPOSAL OF THIS
CYLINDER OR UNUSED LP-GAS.**

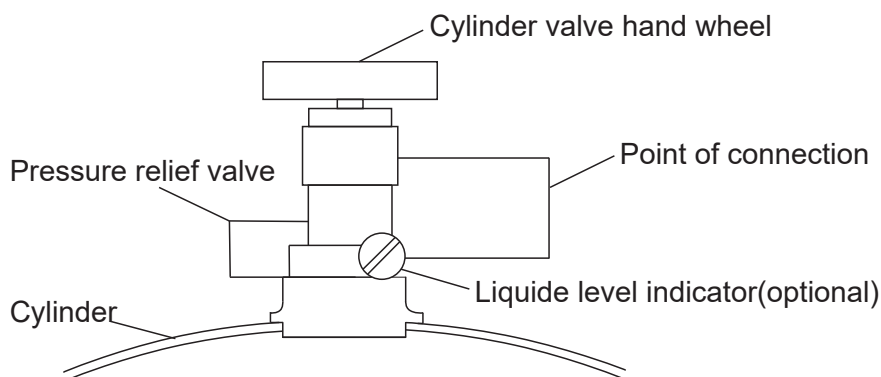
**! WARNING-FOR OUTDOOR USE ONLY.*
DO NOT USE OR STORE CYLINDER IN A BUILDING,
GARAGE OR ENCLOSED AREA.**

! WARNING:

- Know the odor of LP-gas. If you hear, see or smell leaking LP-gas, immediately get everyone away from the cylinder and call the Fire Department. Do not attempt repairs.
- Caution your LP-gas supplier to:
 - Be certain cylinder is purged of trapped air prior to first filling.
 - Be certain not to over fill the cylinder.
 - Be certain cylinder requalification date is checked.
- LP-gas is heavier than air and may settle in low places while dissipating.
- Contact with the liquid contents of cylinder will cause freeze burns to the skin.
- Do not allow children to tamper or play with cylinder.
- When not connected for use, keep cylinder valve turned off. Self contained appliances shall be limited to a cylinder of 30 lb capacity or less.
- Do not use, store or transport cylinder where it would be exposed to high temperatures. Relief valve may open allowing a large amount of flammable gas to escape.
- When transporting, keep cylinder secured in an upright position with cylinder valve turned off.

WHEN CONNECTING FOR USE:

- Use only in compliance with applicable codes.
- Read and follow manufacturer's instructions.
- Consult manufacturer's instructions concerning the cylinder connection provided with your appliance.
- Be sure regulator vent is not painting up.
- Turn off all valves on the appliance.
- Do not check for gas leaks with a match or open flame. Apply soapy water at areas marked "X". Open cylinder valve. If bubble appears, close valve and have LP-gas service person make needed repairs. Also, check appliance valves and connections to make sure they do not leak before lighting appliance.
- Light appliance(s) following manufacturer's instructions.
- When appliance is not in use, keep the cylinder valve closed.



**DO NOT REMOVE, DEFACE, OR OBLITERATE THIS LABEL
*EXCEPT AS AUTHORIZED BY ANSI/NFPA 58.**

! DANGER. Do not store a spare LP cylinder under or near a barbecue grill, or other heat sources. NEVER fill an LP cylinder beyond 80% full: a fire causing death or serious injury may occur.

WARNING

Read the instructions before installation and use.

This appliance must be installed and the gas cylinder stored in accordance with the regulations in force;

- Do not obstruct the ventilation holes of the cylinder housing;
- Do not move the appliance when in operation;
- Shut off the valve at the gas cylinder or the regulator before moving the appliance;
- The tubing or the flexible hose must be changed within the prescribed intervals;
- Use only the type of gas and the type of cylinder specified by the manufacturer;
- Do not use the appliance in big wind weather. It is advisable to fit the dress guard available from the manufacturer. Failure to fit this dress guard will result in a potential hazard to clothing when approaching the appliance;
- The injector is installed by the manufacturer only. Do not connect the gas cylinder directly to the appliance without regulator.
- Use only the type of gas and the type of cylinder specified in the instructions.
- This appliance is intended for decorative purposes ;
- Not for domestic use!
- These instructions are only valid if the country symbol appears on the instruction manual and on the appliance.

FOR YOUR SAFETY

1. Do not store or use gasoline or other flammable vapors and liquids in the vicinity of this or any other appliance.

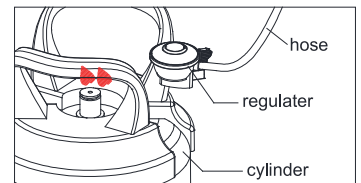
2. An LP cylinder not connected for use shall not be stored in the vicinity of this or any other appliance.



Caution

PLEASE READ CAREFULLY THE FOLLOWING SAFETY GUIDELINES BEFORE OPERATION.

- Do not use the fire pit indoors, as it may cause personal injury or property damage.
- This outdoor fire pit is not intended to be installed on recreational vehicles and/or boats.
- Installation and repair should be done by a qualified service person.
- Improper installation adjustment, alteration can cause personal injury or property damage.
- Do not attempt to alter the unit in any manner.
- Never replace or substitute the regulator with any regulator other than the factory suggested replacement.
- Do not store or use gasoline or other flammable vapors or liquids in the heater unit.
- The whole gas system, hose, regulator, pilot or burner should be inspected for leaks or damage before use, and at least annually by a qualified service person.
- All leak tests should be done with a soap solution.
- Never use an open flame to check for leaks.
- Do not use the heater until all connections have been leak tested.
- Turn off the gas valve immediately if smell of gas is detected. Turn Cylinder Valve OFF. If leak is at Hose/ Regulator connection: tighten connection and perform another leak test. If bubbles continue appearing should be returned to hose's place of purchase. If leak is at Regulator/Cylinder Valve connection: disconnect, reconnect, and perform another leak check. If you continue to see bubbles after several attempts, cylinder valve is defective and should be returned to cylinder's place of purchase.
- Do not transport heater while it's operating.
- Do not move the heater after it has been turned off until the temperature has cooled down.
- Keep the ventilation opening of the cylinder enclosure free and clear of debris.
- Do not paint the radiant screen, control panel or top canopy reflector.
- Control compartment, burner and circulation air passageways of the heater must be kept clean. Frequent cleaning may be required as necessary.
- The LP tank should be turned off when the heater is not in use.
- Check the fire pit immediately if any of the following occurs:
 - The fire pit does not reach temperature.
 - The burner makes popping noise during use (a slight noise is normal when the burner is extinguished).
 - Smell of gas in conjunction with extreme yellow tipping of the burner flames.
- **The LP regulator/hose assembly must be located out of pathways where people may trip over it or in area where the hose will not be subject to accidental damage.**
- **Any guard or other protective device removed for servicing the heater must be replaced before operating the fire pit.**
- **Adults and children should stay away from high temperature surface to avoid burns or clothing ignition.**
- **Children should be carefully supervised when they are in the area of the fire pit.**
- **Clothing or other flammable materials should not be hung on the heater or placed on or near the fire pit.**
- To change the gas cylinder in an amply ventilated area, away from any ignition source (candle, cigarettes, other flame producing appliances, ...);
- To check that the regulator seal is correctly fit and able to fulfill its function showed as photo right;
- To not obstruct the ventilation holes of the cylinder housing;
- To close the gas supply at the valve of the gas cylinder or the regulator after use;
- In the event of gas leakage, the appliance shall not be used or if alight, the gas supply shall be shut off and the appliance shall be investigated and rectified before it is used again;
- To check the hose at least once per month, each time the cylinder is changed, or each time before long time no use. If it shows signs of cracking, splitting or other deterioration it shall be exchanged for new hose of the same length and of the equivalent quality;
- The use of this appliance in enclosed areas can be dangerous and is PROHIBITED;
- Read the instructions before using this appliance. The appliance must be installed in accordance with the instructions and local regulations.
- **For connection of hose and regulator, and connection of regulator and hose, please refer to photo showed above.**
- **Do not use this appliance if any part has been under water. Immediately call a qualified service technician to inspect the appliance and to replace any part of the control system and any gas control that has been under water.**



Hose/Regulator connection and Regulator/Cylinder connection

Caution



Do Not use this appliance with an adjustable regulator. We suggest use this appliance with LPG cylinder of 5kG. The maximum diameter and the maximum height of the cylinder is 380mm and 450mm as shown in (Fig.1).

Other cylinders may be used with this equipment provided they meet the following conditions: the cylinders must be compatible with the equipment's cylinder securing devices.

Pay attention when put the cylinder to the cylinder hole, ensure the hose connect to the cylinder not touch the hot surface. Keep the cylinder in place during operation. Never put spare cylinder in the same cylinder enclosure. Never block the way of shutting off the cylinder valve.

Warning: Shut off the gas cylinder when you smell gas.

The hose assembly must be replaced prior to the appliance being put into operation if there is evidence of excessive abrasion or wear or if the hose is damaged. The replacement hose assembly shall be specified by the manufacturer.

- Do not attempt to disconnect the gas cylinder or any gas fitting while your appliance is in operation.

- The propane gas supply cylinder to be used must be:

Constructed and marked in accordance with the U.S. Department of Transportation (D.O.T) Specifications for LP-Gas cylinders, or the Standard for Cylinders, Spheres, and Tubes for Transportation of Dangerous Goods and Commission, CAN/CSA-B339, as applicable;

Provided with a listed overfilling prevention device; and

The propane gas cylinder must be arranged for vapor withdrawal.

NEVER use a propane gas cylinder with a damaged body, cylinder valve, collar or footing.

Dented or rusted propane gas cylinder may be hazardous and should be checked by your cylinder supplier prior to use.

The propane cylinder should NOT be dropped or handled roughly.

The propane cylinder must be stored outdoors, out of the reach of children and must NOT be stored in a building, garage or any other enclosed area.

Do not insert any tool or foreign object into the cylinder valve outlet or safety relief valve. You may damage the cylinder valve and cause a leak. Leaking propane may result in explosion, fire, severe personal injury or death.

Never keep a propane cylinder in a hot car or trunk. Heat will cause the gas pressure to increase, which may open the relief valve and allow gas to escape.

Place the dust cap on the cylinder valve outlet whenever the cylinder is not in use. Only install the type of dust cap on the cylinder valve outlet that is provided with the cylinder valve. Other types of caps or plugs may result in leakage of propane.

DO NOT store a space propane cylinder under or near this appliance.

Disconnect the cylinder when the appliance is not being used.

NEVER fill the cylinder beyond 80 percent full.

Other cylinder may be acceptable for use with this appliance provided they have the same profile and dimension to be compatible with the appliance nesting hole and retention means.

1: maximum diameter
2: maximum height

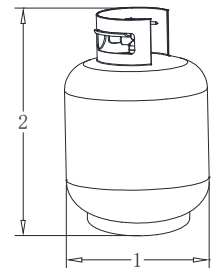
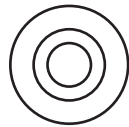


Fig.1

Caution

LIGHTING INSTRUCTIONS:

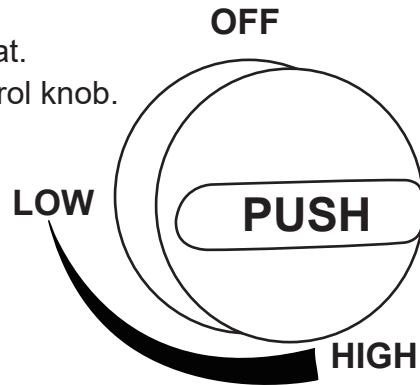
1. Read instructions before lighting
2. Push and turn the knob to LOW
3. Hold ignitor to light the burner.
release control knob after 15 seconds if
burner does not light, wait 5 minutes, repeat.
4. Adjust flame to desired flame with the control knob.



Electronic
Ignition 

+AAA 

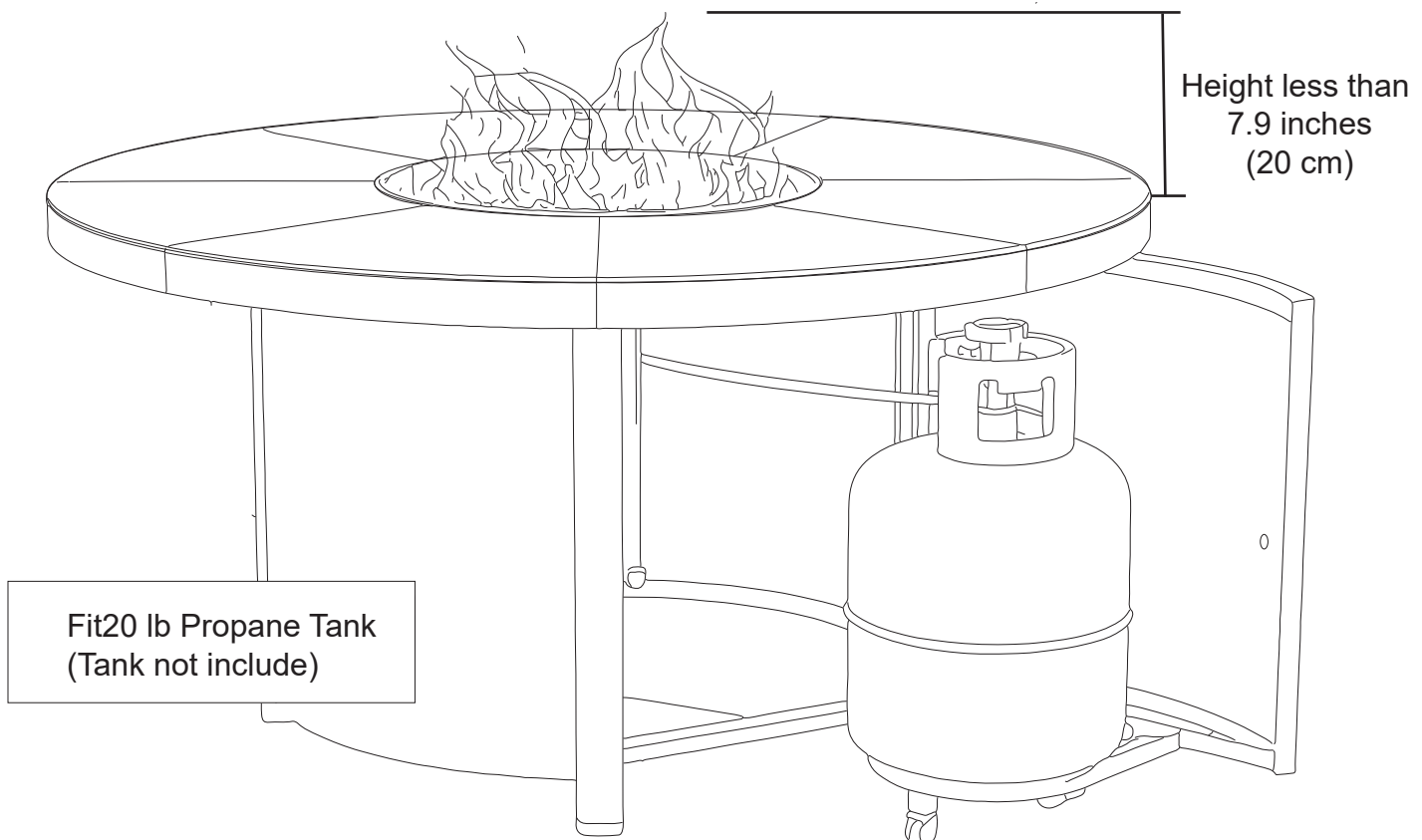
Unscrew Button
Insert Battery



During use, visually inspect the burner flame color regularly to ensure it maintains a blue to red hue from the base.

If you detect a gas odor and the burner flame tip appears abnormally yellow, shut it off immediately. When observing the flame, avoid staring at the flame for extended periods to prevent eye damage. Regularly inspect the igniter to check whether the ignition transformer is damaged. If damaged, replace it.

Please note that the flame height during normal combustion should not exceed 7.9 inch (20cm). Should the flame height appear excessively high, extinguish the gas stove and inspect the Gas Fire Pit Table.



Caution



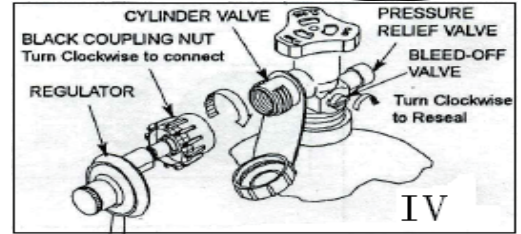
To Connect:

- 1 Ensure that there is no debris caught in the head of gas cylinder, head of the regulator valve.
- 2 Insert the nipple of the valve coupling into the cylinder valve and tighten the black coupling nut by turning it clockwise with one hand while holding the regulator with the other hand. (See diagram.) Hand tighten only.



To Disconnect:

- 1 Always confirm that the cylinder valve is in the OFF position before disconnecting the gas supply.
- 2 Hold the regulator with the one hand and loosen the black coupling nut by turning it counter-clockwise with the other hand. (See diagram.)



IMPORTANT

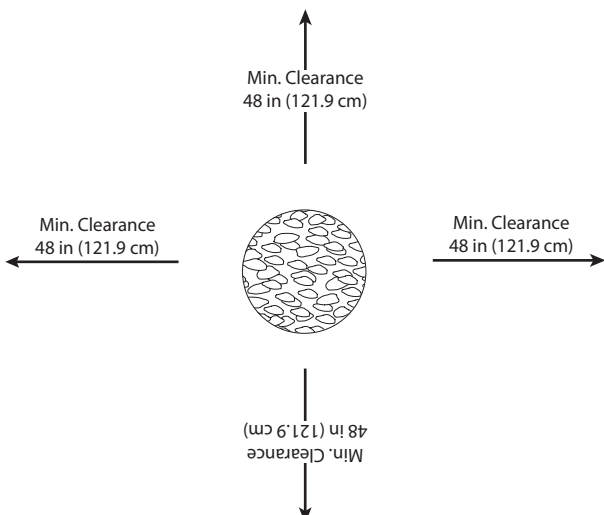
Disconnect the propane cylinder from the regulator valve when the appliance is not in use

SELECTING A LOCATION

Use only the regulator and hose supplied with this appliance.

Inspect the burner before using this appliance. If the burner shows any damage whatsoever, do not operate the appliance. For assistance with repairing or replacing the burner or any other part, please

NOTE: You must follow all steps to properly assemble this heating element. Make sure the gas valve is closed before assembly. DO NOT attempt to assemble without proper tools.



Combustible materials should not be within 50 inches of the top of the unit, or within 48 inches around the entire unit.

| | | |
|------------------------------------|------------------------|---------------------|
| INPUT | 50000 Btu/hr | |
| Propane Regulator Pressure | 11 inches water column | |
| Clearances to combustible surfaces | Sides: 48in./121.9cm | Top: 50 in. / 127cm |

OPERATION AND STORAGE

Warning: User shall pour pumice fully to cover the whole burner before operation.

TO TURN ON THE FIRE PIT

1. Turn the control knob to the “OFF” position (Figure a).
2. Fully open LP cylinder valve.

Note: For initial start or after any cylinder change, hold Control Knob IN for 10 seconds to purge air from gas lines before proceeding.

3. Push in gas control knob and turn counterclockwise to “IGNITER”(Figure b) to light the fire pit. If needed, keep pressing and turning control knob counterclockwise until the heater lights (You should hear a clicking sound).
4. After fire pit lights, release control knob. Push in and turn the control knob to the “HIGH”(Figure c), then release control knob. If you want a lower temperature, push in the control knob and turn clockwise to the “LOW”. Note: If burner fails to remain lit, all valves should be closed and a waiting period of at least 5 minutes should pass before attempting to light.

TO TURN OFF THE FIRE PIT

1. To extinguish burner depress control knob and continue to turn it clockwise to OFF.
2. Turn cylinder valve clockwise to OFF and disconnect regulator when fire pit is not in use.

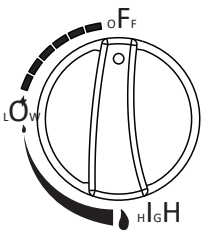


Figure a

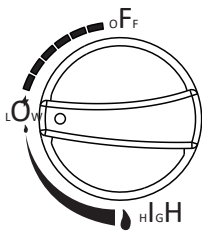


Figure b

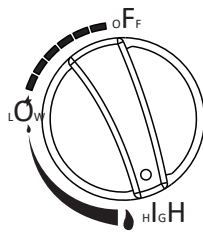


Figure c

OFF: the heater stop work
HIGH: maximum temperature position
LOW: minimum temperature position

Storage

1. Always close the gas valve of the gas cylinder after use or in case of a disturbance.
2. Remove the pressure controller and the hose.
3. Check the tightness of the gas valve and for damage. If you suspect a damage, have it changed by your gas dealer.
4. Never store liquid gas cylinder in a sub-terrain, or at places without adequate air ventilation.

Please follow the correct procedures for ignition and other operations as specified in the manual. Failure to do so may damage the machine and pose a threat to your personal safety.

A. Construction and characteristics

- Transportable terrace/fire pit with tank housing
- Casing in steel with powder-coating or stainless steel.
- Gas hose connections with metal clamp

B. Specifications

- Use propane, butane or their mixtures gas only.
 - **Max. wattage: 50000 BTU/Hr (14.65 KW)**
 - Consumption:
-
- The hose and regulator assembly must conform to local standard codes.
 - Regulator outlet pressure should meet the corresponding appliance category in B. Specification.
 - The appliance requires approved hose in 0.7m length.

The instructions accompanying the appliance shall include the following;

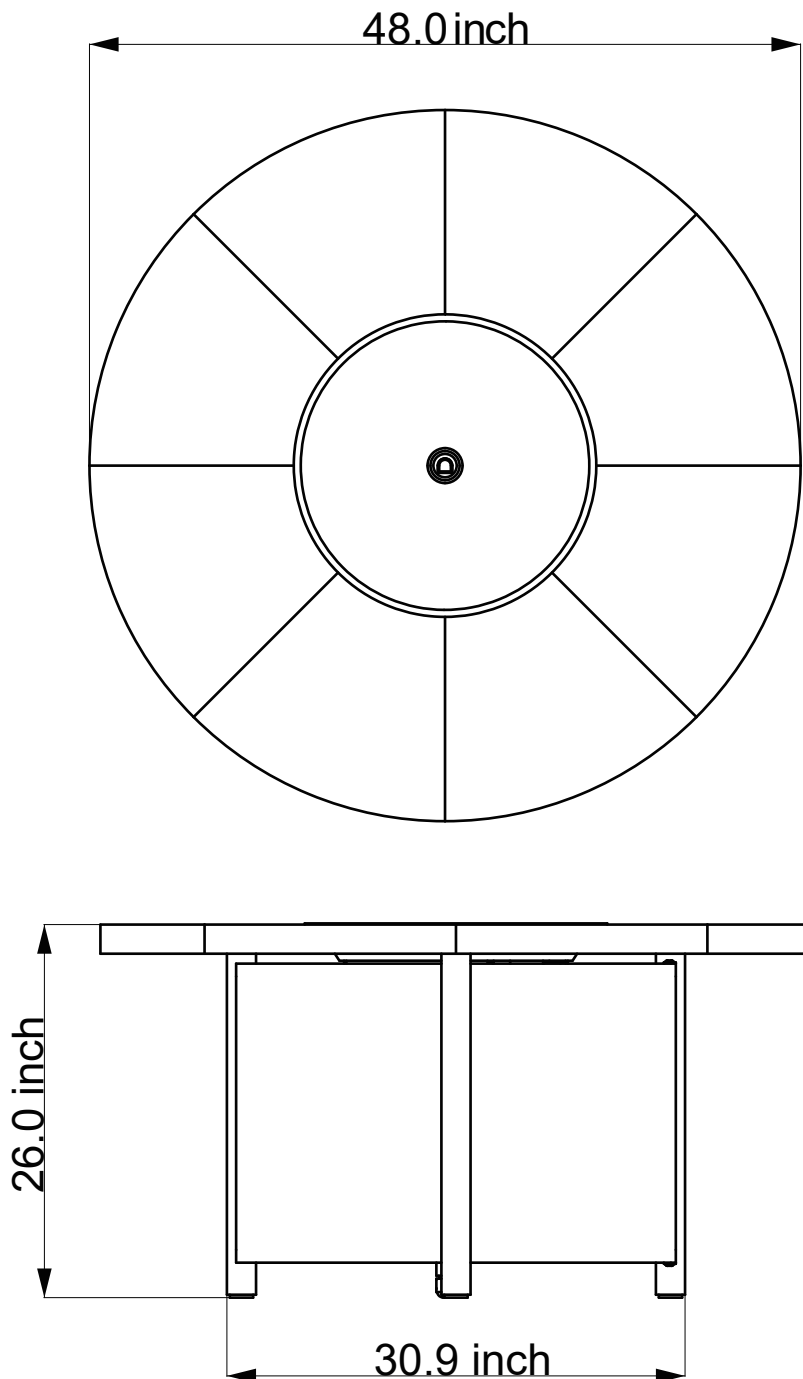
- a) The installation must conform with local codes, or in the absence of local codes with the National Fuel Gas Code, ANSI Z223.1 • NFPA 54; National Fuel Gas Code; Natural Gas and Propane Installation Code, CSA B149.1; or Propane Storage and Handling Code, CSA B149.2, as applicable;
- b) Solid fuels shall not be burned in this appliance;
- c) The minimum inlet gas supply pressure: 25 PSI;
- d) The maximum inlet gas supply pressure: 250 PSI;

Keep the appliance area clear and free from combustible materials, gasoline, and other flammable vapors and liquids;

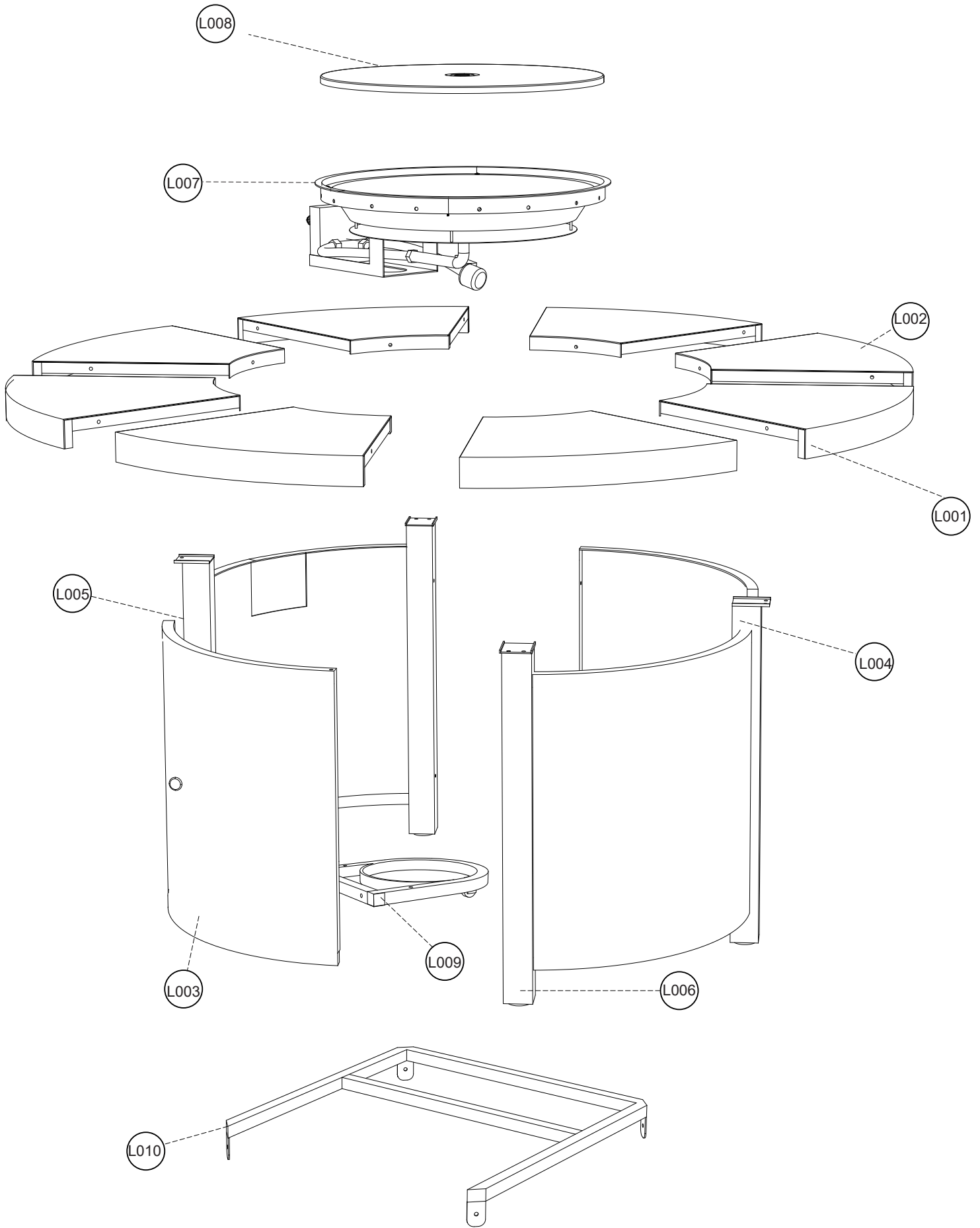
CLEANING AND CARE

- Wipe off powder coated surfaces with soft, moist rag. Do not clean the heater with cleaners that are combustible or corrosive.
- Remove debris from the burner to keep it clean and safe for use.
- Cover the burner unit with the optional protective cover when the heater is not in use.

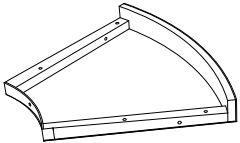
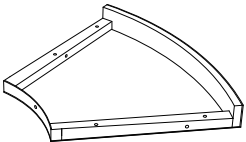
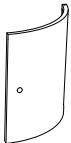

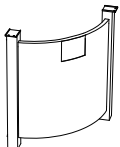
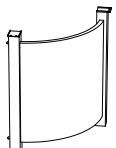
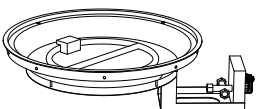
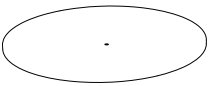
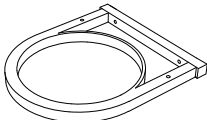
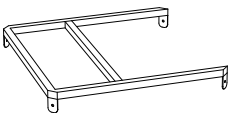


SPECIFICATIONS AND PARTS



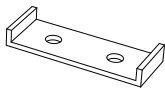
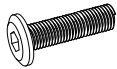
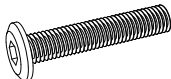
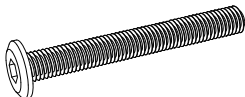
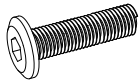
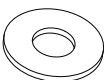

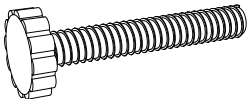
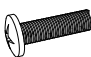
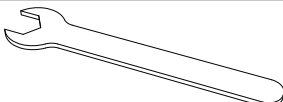

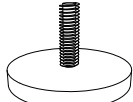

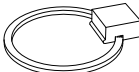
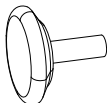

ASSEMBLY PARTS



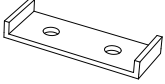
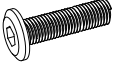
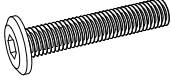
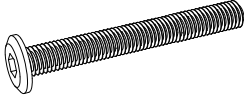
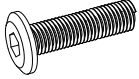
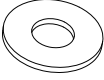
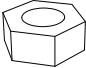
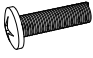
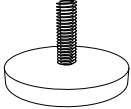
PART LIST

| Parts List | | | |
|------------|---|-------------------|-------|
| Part | Description | Part Name | Qty |
| L001 |  | Table Top 1 | 4PCS |
| L002 |  | Table Top 2 | 4PCS |
| L003 |  | Door | 1PC |
| L004 |  | Table Side Panel | 1PC |
| L005 |  | Table Leg 1 | 1PC |
| L006 |  | Table Leg 2 | 1PC |
| L007 |  | Burner | 1PC |
| L008 |  | Lid | 1PC |
| L009 |  | Gas Cylinder Base | 1PC |
| L010 |  | Fixed Frame | 1PC |
| L011 |  | Pumice | 2.5KG |
| L012 |  | Cover | 1PC |

Screw Set

| Screw Set | | | |
|-----------|---|-----------------|-------|
| Part | Description | Part Name | Qty |
| A |  | U-buckle | 12PCS |
| B1 |  | M6*15 | 12PCS |
| B2 |  | M6*30 | 2PCS |
| B3 |  | M6*55 | 8PCS |
| B4 |  | M6*20 | 40PCS |
| C |  | M6 Washer | 70PCS |
| D |  | M6 Nut | 8PCS |
| E |  | Knob | 1PC |
| F |  | Phillips Screw | 2PCS |
| G |  | M6 Wrench | 1PC |
| H |  | Allen Wrench | 1PC |
| I |  | Adjustable Foot | 4PCS |
| J |  | Wheel | 1PC |
| K |  | Pull Tab | 1PC |
| L |  | Doorknob | 1PC |
| M |  | U-buckle | 1PC |

Extra

| Extra(Screw Set) | | | |
|------------------|---|-----------------|------|
| Part | Description | Part Name | Qty |
| A |  | U-buckle | 2PCS |
| B1 |  | M6*15 | 1PCS |
| B2 |  | M6*30 | 1PC |
| B3 |  | M6*55 | 2PCS |
| B4 |  | M6*20 | 5PCS |
| C |  | M6 Washer | 4PCS |
| D |  | M6 Nut | 2PCS |
| F |  | Phillips Screw | 1PC |
| I |  | Adjustable Foot | 1PC |

WARNING: Failure to position the parts in accordance with these diagrams, or failure to use only parts specifically approved with this appliance may result in property damage or personal injury.

Caveat

WARNING

Pay attention to the gas fire table top installation precautions, please read the text below carefully.

Note: When installing Gas fire table, do not install them directly on the ground, as gravel and sand on the ground can cause irreversible scratches, as well as pits and paint loss on the table top and other areas.

Suggestion: install this product on a carpet with softness, or you can put a layer of cloth or other soft material on the floor before installing it.

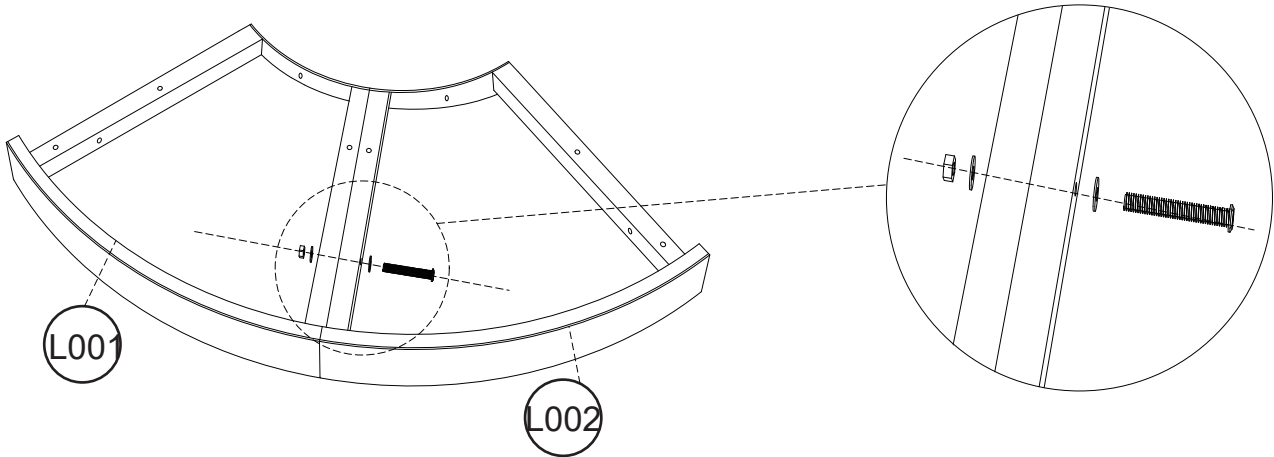
Installation steps

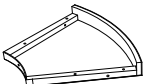
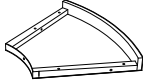



How To Assemble the Metal Round Gas Fire Pit Table

Step 1: Splice the two tabletops(L001,L002) together .

NOTE:Do not tighten the screws all the way.To align the holes.

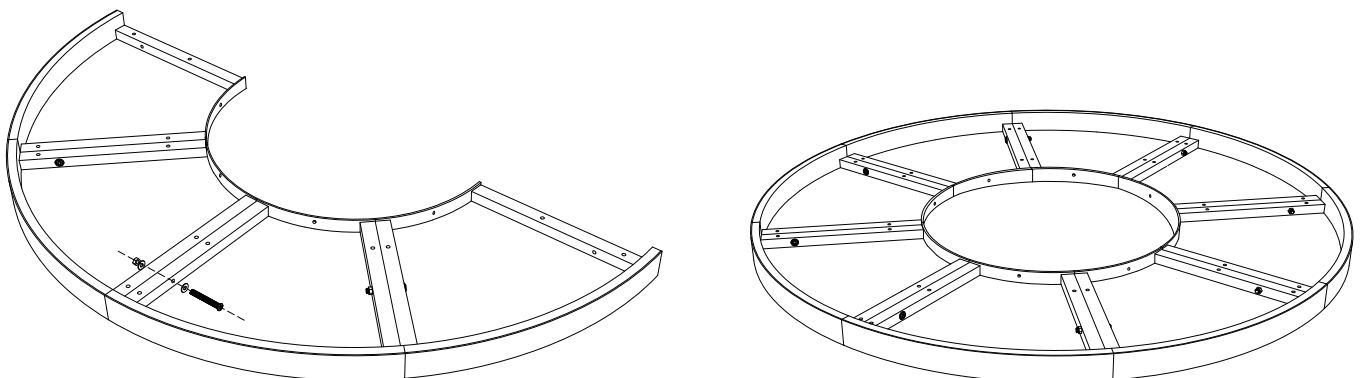
x4






| | | | | | | | | | |
|------|---|----|------|---|----|----|--|-------|----|
| L001 |  | x4 | L002 |  | x4 | B3 |  | M6*55 | x4 |
| C |  | x8 | D |  | x4 | | | | |

Step 2: Connect the assembled L001 and L002 with screws.

NOTE:Do not tighten the screws all the way.To align the holes.

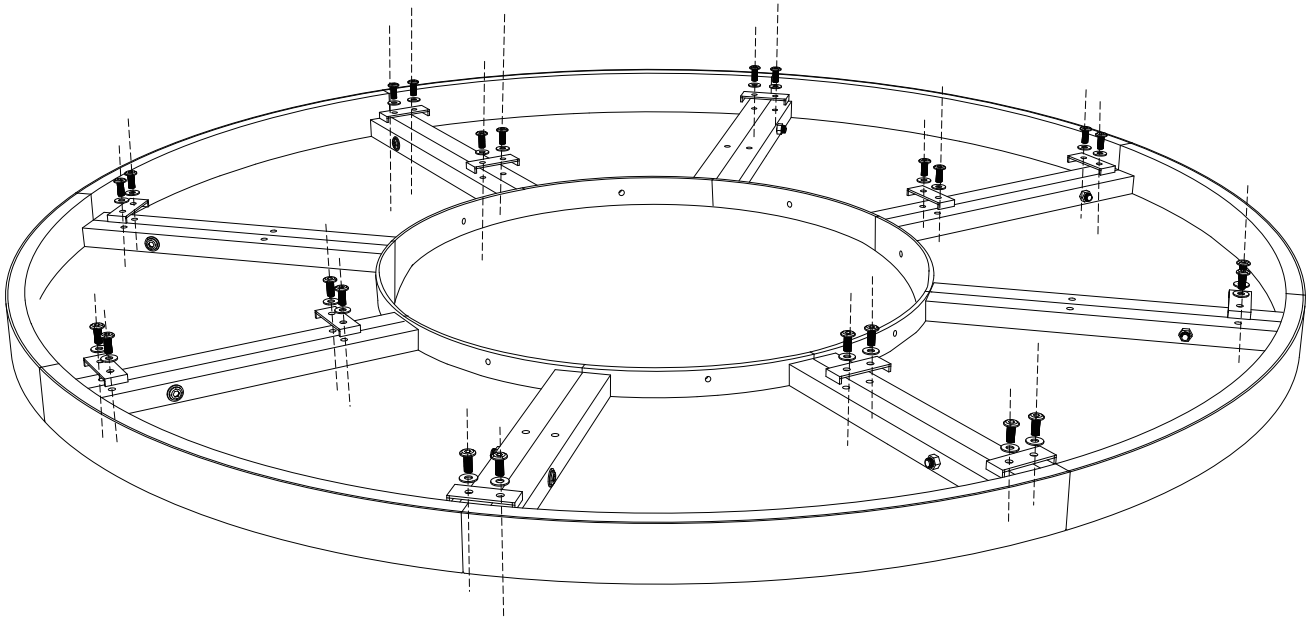


| | | | | | | | | | |
|----|---|-------|----|---|---|----|---|---|----|
| B3 |  | M6*55 | x4 | C |  | x8 | D |  | x4 |
|----|---|-------|----|---|---|----|---|---|----|

Installation steps

Step 3: Install the U-buckle(A).

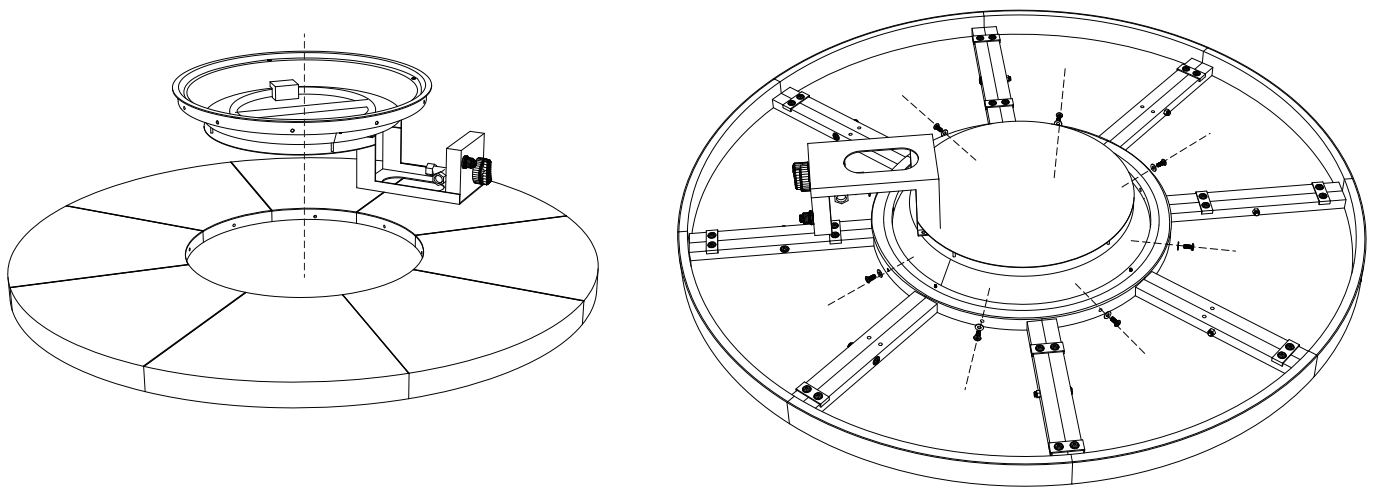
NOTE: Tighten the screws.




| | | |
|--|---|--|
| <p>A  x12</p> | <p>B4  M6*20 x24</p> | <p>C  x24</p> |
|--|---|--|

Step 4: Load the burner(L007) into the tabletop.(The switch parts need to be placed at an inclined point firstThe switch is aligned in the direction of having two U-buckles.)

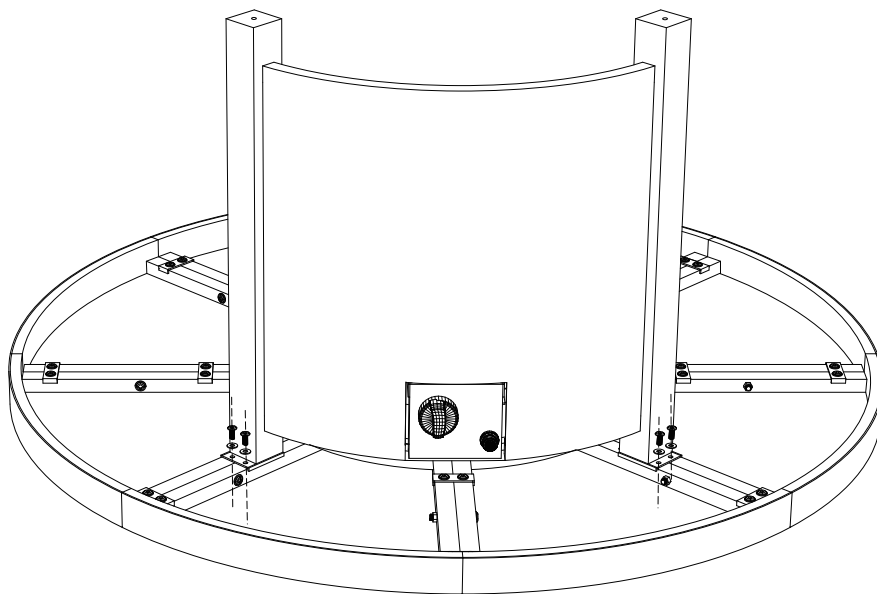
NOTE: Tighten the screws and secure the burner.The burner needs to be aligned with the side that has the two U-shaped clasps.



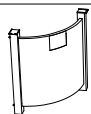
| | | |
|--|--|---|
| <p>L007  x1</p> | <p>B4  M6*20 x8</p> | <p>C  x8</p> |
|--|--|---|

Installation steps

Step 5: Fit the leg 1 (L005). Align the holes in the leg 1 with the burner for installation.
NOTE: Do not tighten the screws all the way.



L005



x1

B4



M6*20 x4

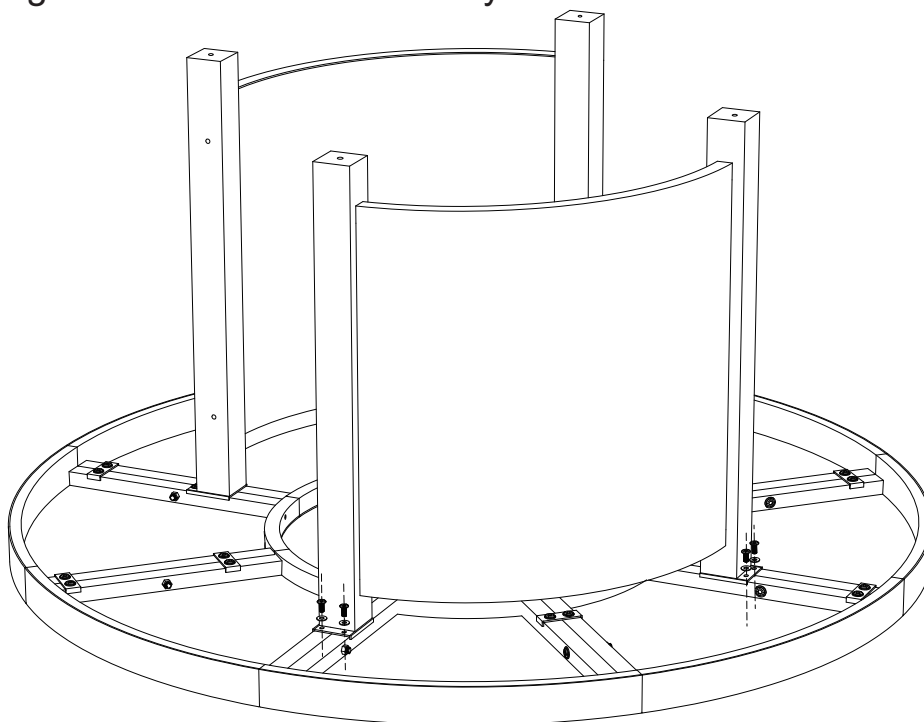
C



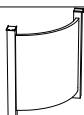
x4

Step 6: Fit the leg 2 (L006).

NOTE: Do not tighten the screws all the way.



L006



x1

B4



M6*20 x4

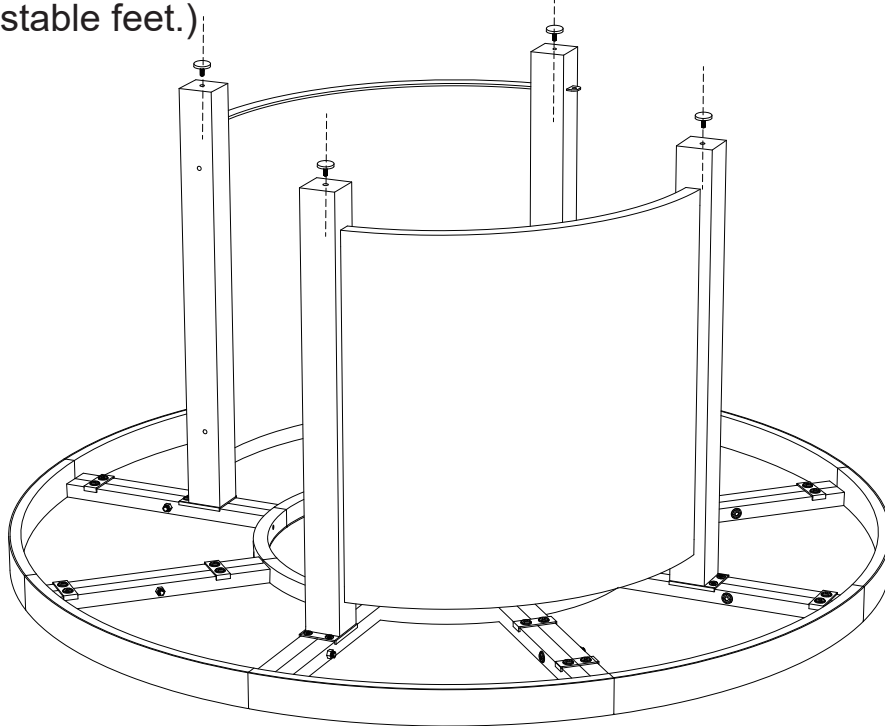
C



x4

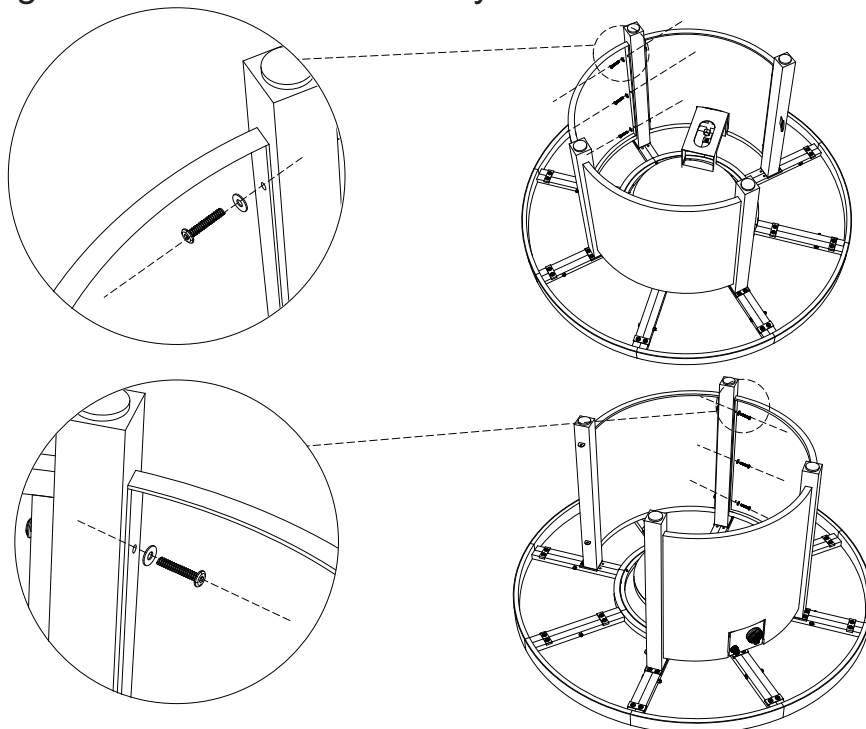
Installation steps

Step 7: Attach the adjustable foot(I) pads to the legs(L005,L006).
 (The product itself installed adjustable feet, if dropped follow the instructions to install the adjustable feet.)



I  x4

Step 8: Install the side panel(L004) between the leg1(L005) and the leg2(L006).
NOTE: Do not tighten the screws all the way.



L004



x1

B1



x6

C

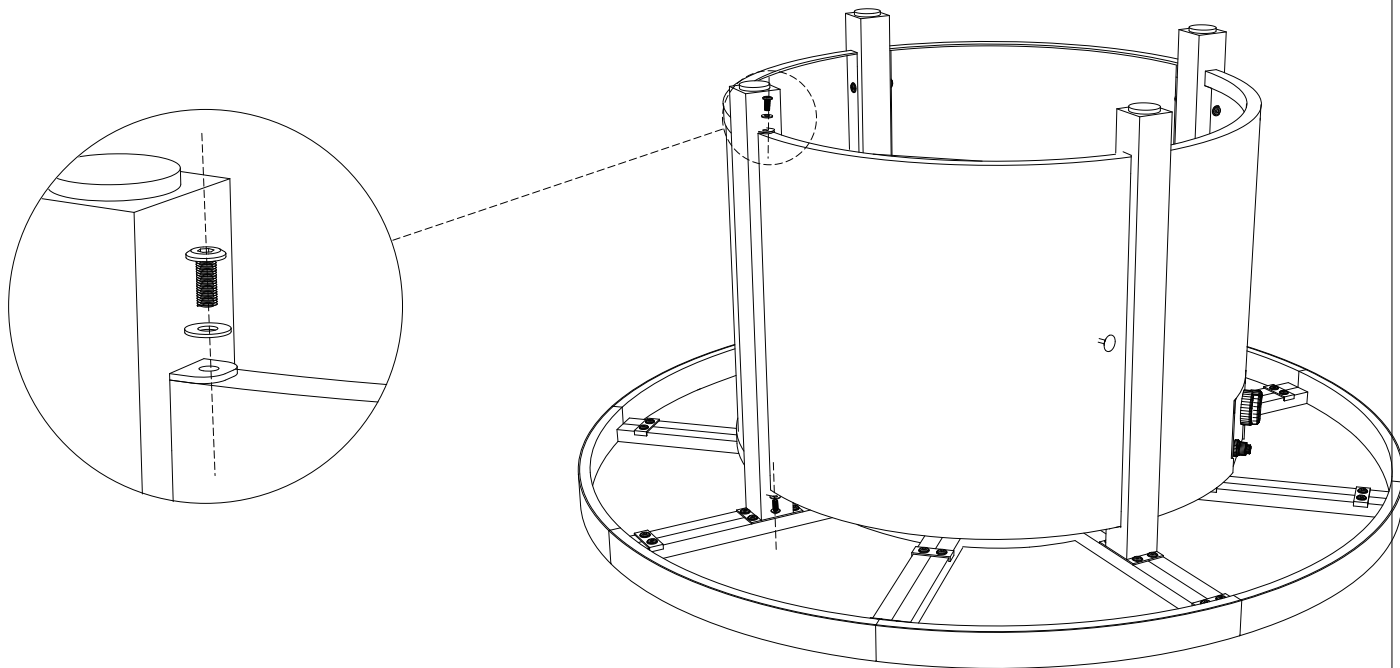


x6

Installation steps

Step 9: Install the door(L003)

NOTE: Do not use too much force to prevent damage.



L003



x1

B1



M6*15

x2

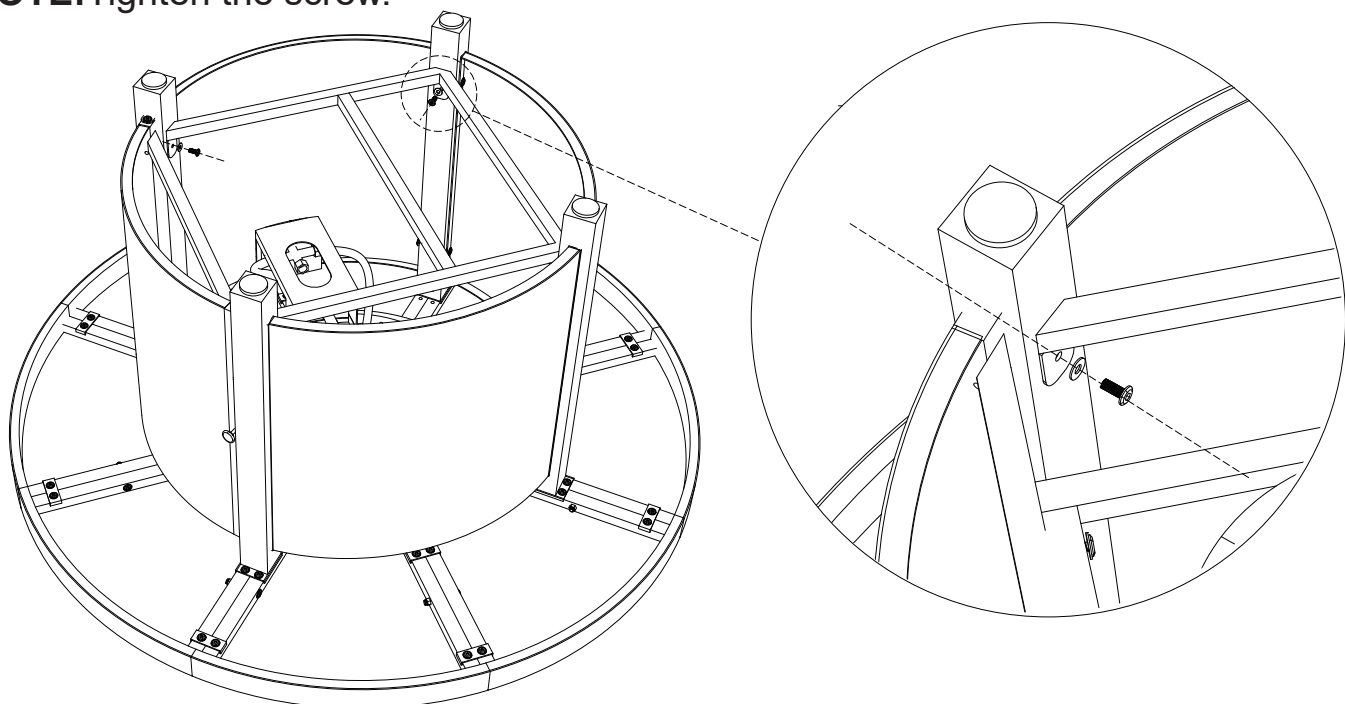
C



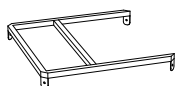
x2

Step 10: Attach the fixing frame(L010) to the four legs, with the empty space mounted on the side near the door.

NOTE: Tighten the screw.



L010



x1

B1



M6*15

x4

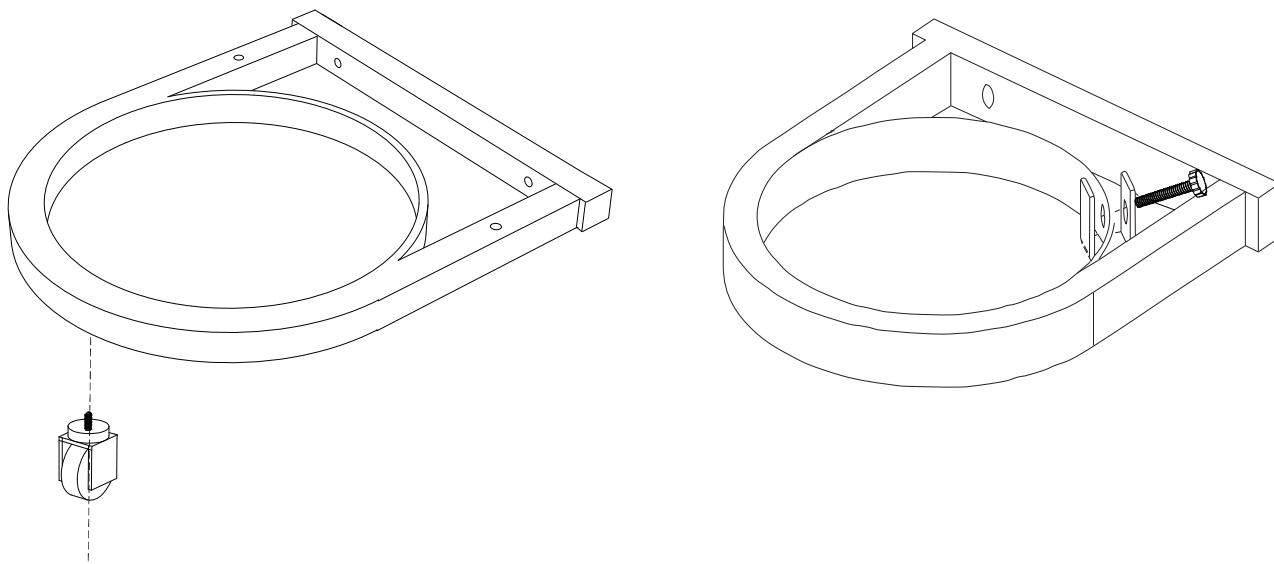
C


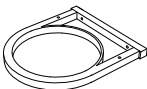




x4

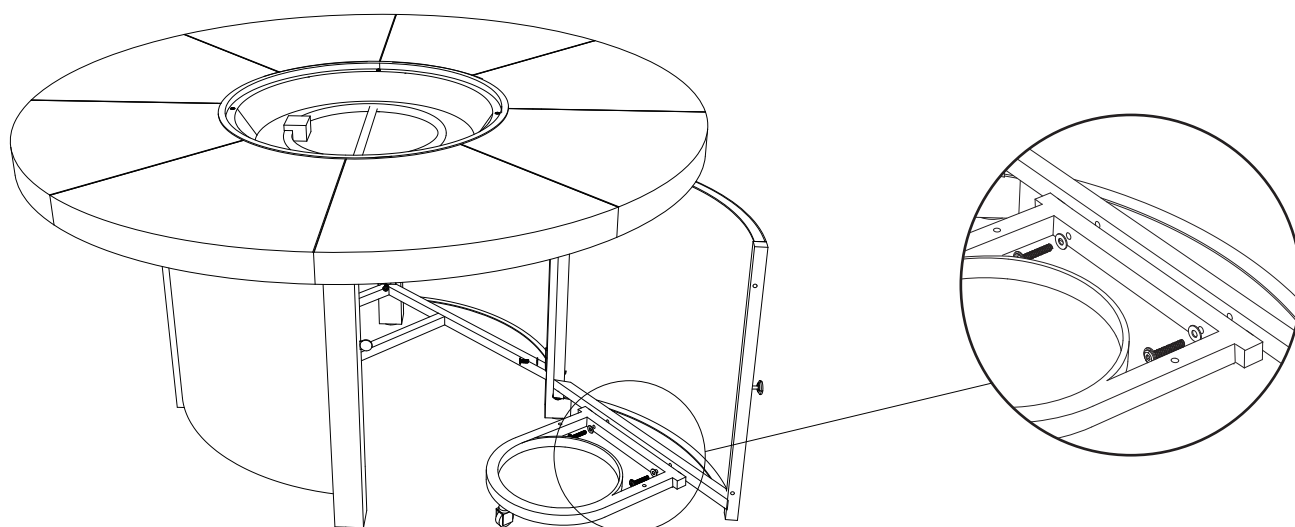
Installation steps

Step 11: Install the wheel(J) to the gas cylinder base(L009) and lock the screw(E).
NOTE: Tighten the screw.



| | | | | | | | | | | | |
|---|---|----|------|---|----|---|--|----|---|---|----|
| J |  | x1 | L009 |  | x1 | M |  | x1 | E |  | x1 |
|---|---|----|------|---|----|---|--|----|---|---|----|

Step 12: Attach the cylinder base to the door.
NOTE: Tighten the screws .

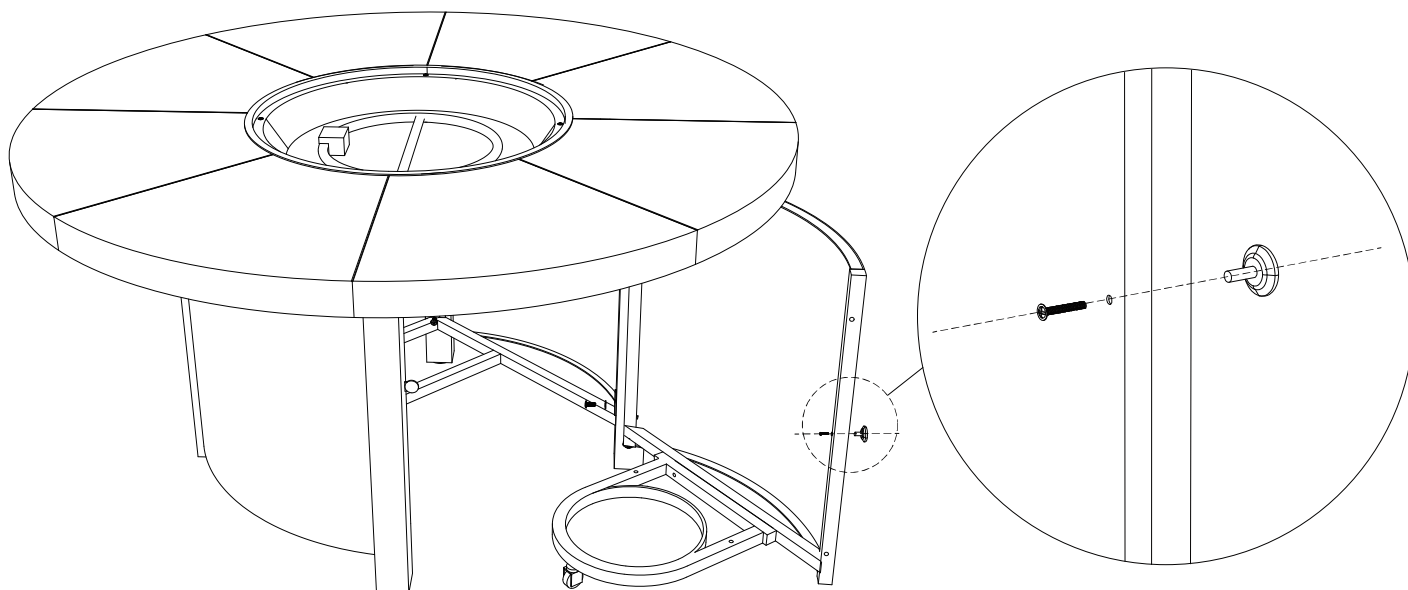


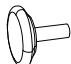
| | | | | | | |
|----|---|-------|----|---|---|----|
| B2 |  | M6*30 | x2 | C |  | x2 |
|----|---|-------|----|---|---|----|

Installation steps

Step 13: Attach the doorknob(L) to the door.

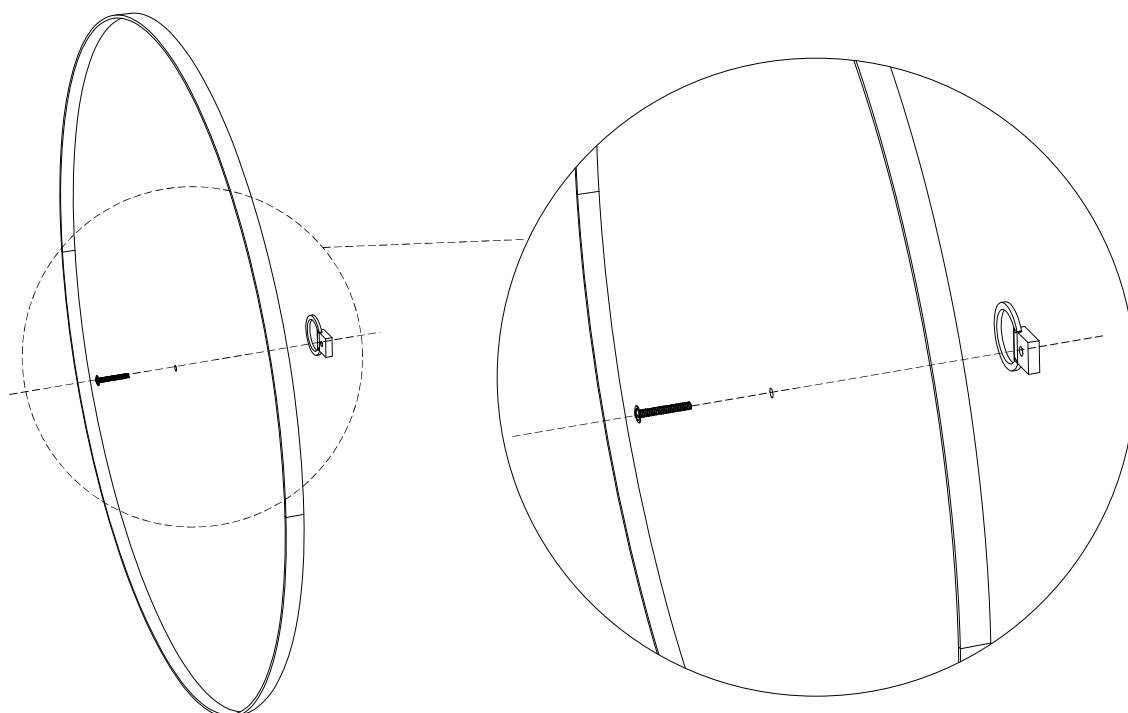
NOTE: Tighten the screws .



L  x1

F  x1

Step 14: Attach the pull tab(K) to the lid(L008).



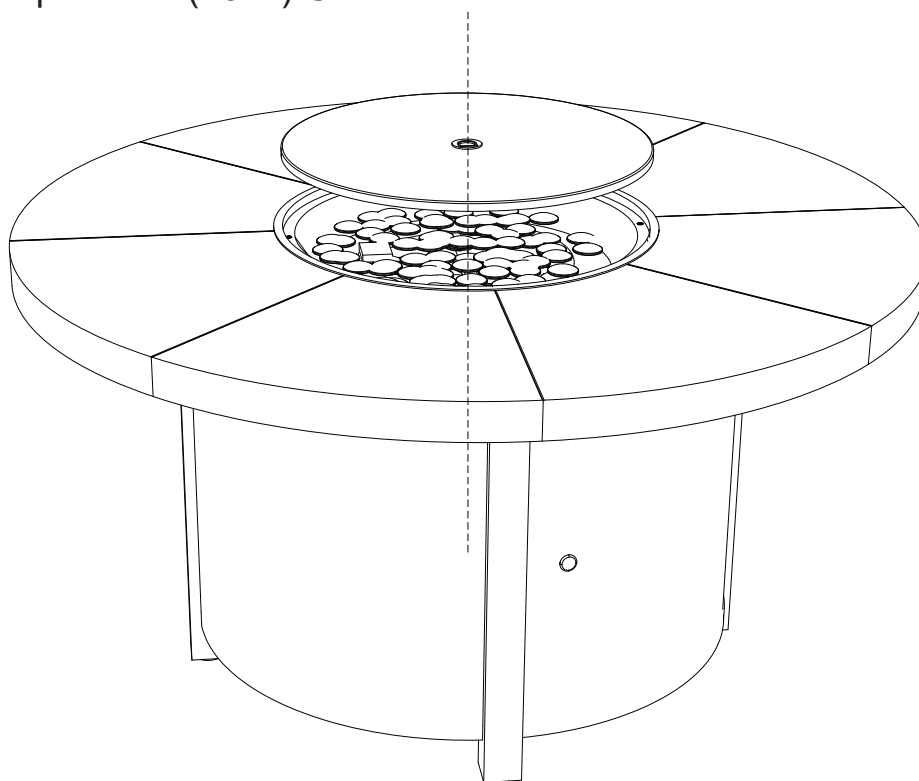
K  x1

F  x1

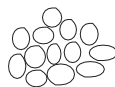
L008  x1

Installation steps

Step 15: Pour in pumices (L011). Cover the lid.

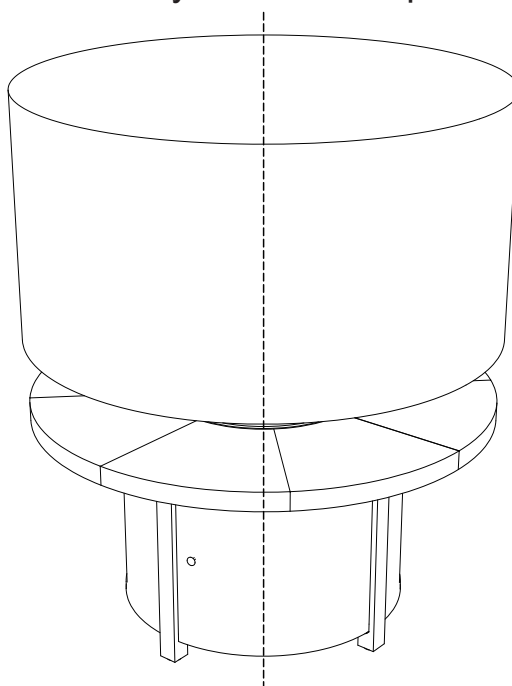


L011

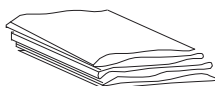


x 2.5KG

NOTE: We recommend the use of furniture covers to protect the patio fire pit when not in use;
Please remove the wind guard before you use waterproof table cover.



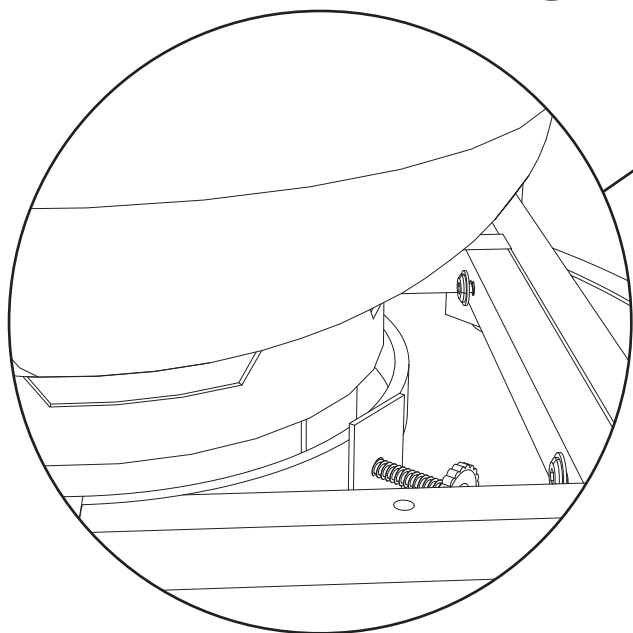
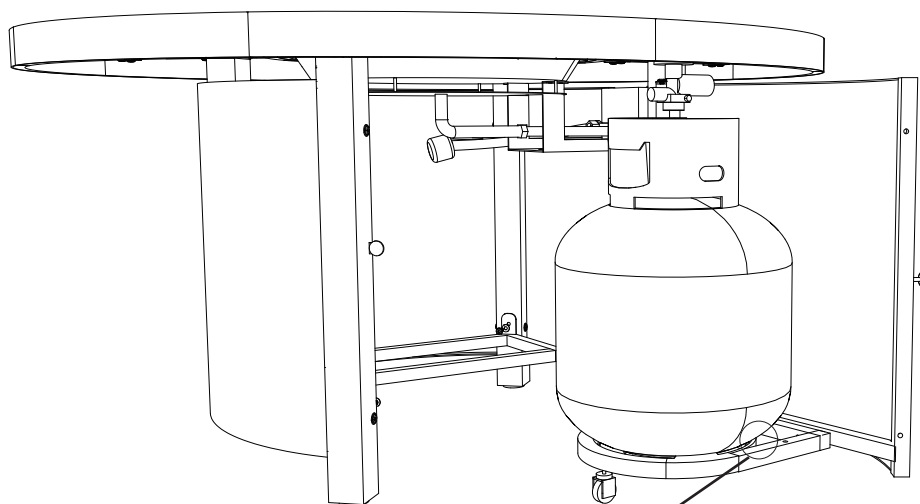
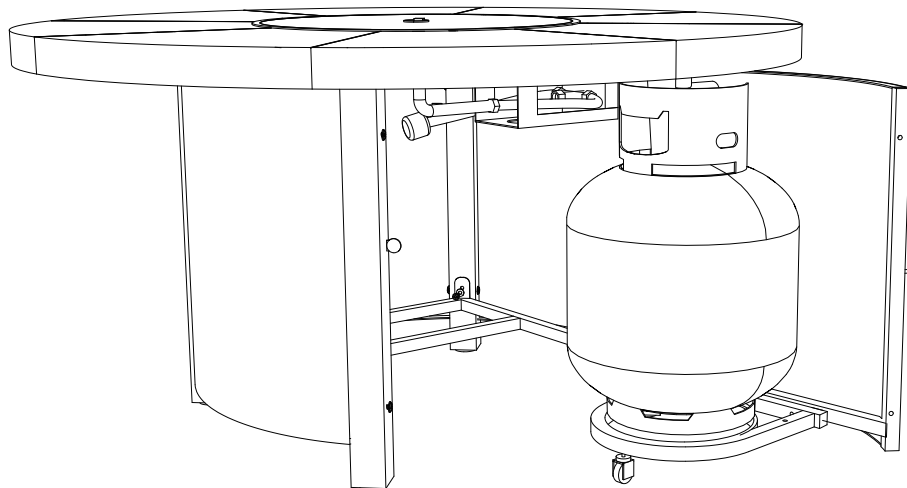
L012



x1

How to install a gas cylinder

Place the gas cylinder atop the gas cylinder (L009), securing it to the bracket using the metal fitting (M) and screw (E) installed in step 11.



PROBLEMS CHECK LIST

| PROBLEM | PROBABLE CAUSE | SOLUTION |
|-----------------------|---------------------------|----------------------------------|
| Burner will not light | Pressure is low | Tank near empty Refill LPG tank. |
| | Opening blocked | Remove and clean |
| | Control not ON | Turn valve to ON |
| | Thermocouple bad | Replace thermocouple |
| | Pilot light assembly bent | Place pilot properly |
| | Not in correct location | Position properly and retry |

If the appliance is in case of any defaults or problems with assembly or use, please don't try to modify it by yourself.

INSTRUCTION

DON'T WORRY ABOUT QUALITY- This propane Fire Pit table is more durable and suitable for all weather. Provide sufficient warm and romantic campfire atmosphere for your family and friends.

ETL APPROVED AND SAFETY- This gas fire pit table has passed the most dynamic safety certification in North America. It not only has an upgraded version of dual pipe burner to make combustion more uniform, but also has the highest safety standard of 50000BTU stainless steel burner rated power to provide the most sufficient flame. Our fire pit table uses propane fuel, clean and pollution-free.

MULTI-FUNCTION FIRE PIT- This fire pit table size:
48.0 "L x 48.0" W x 26.0"h.

This suitable size is enough for eight people to sit around to warm up. After you cover it, it can also be used as a tea table and dining table. Fashionable appearance can be matched with various outdoor sofas to add color to your garden, courtyard, terrace and balcony.

FREE FOR YOU- We will give you windproof glass, pumices, Water-proof and sun-proof table cover, lid, instruction manual and 1 package of parts for free. You can put about five kilograms of propane gas into the gas tank, which is enough to burn for weeks. You can invite friends to a smoke-free, warm and romantic bonfire party!

CUSTOMER SERVICE & GUARANTEE- We offer you 12-month quality assurance. If you have any questions about this fire pit table, please feel free to contact us. Our customer service team will respond within 24 hours.

Thank you.