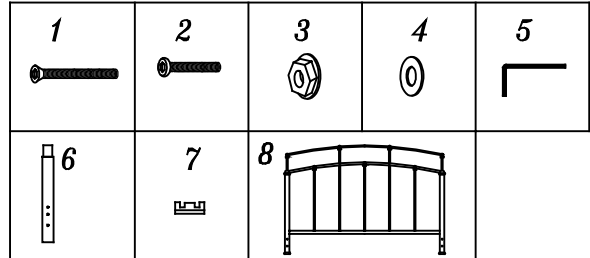


Headboard/Footboard/Duo Parts List

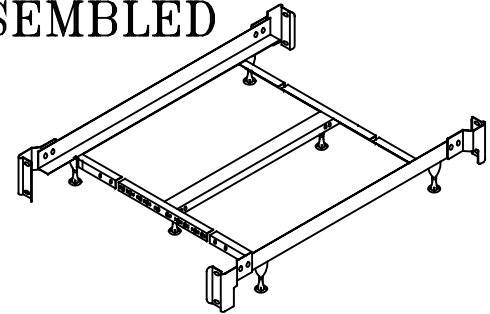
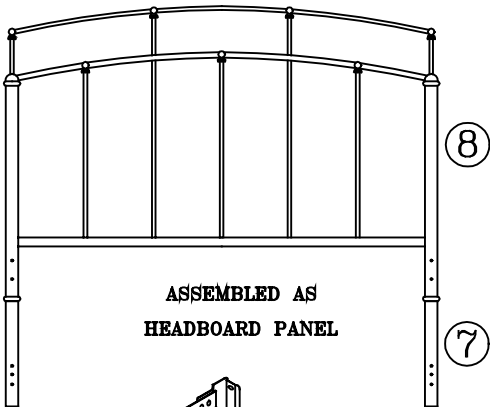
CARTON

(8) HEADBOARD PANEL

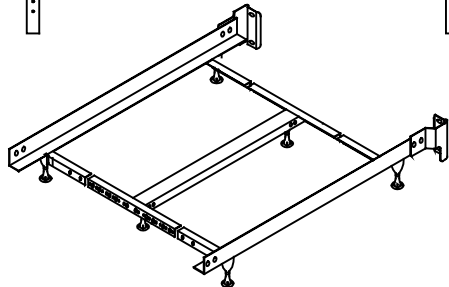
- HARDWARE BAG FOR
ATTACHMENT TO FRAME
- (1) 1/4-20 2" COUNTERSUNK ALLEN HEAD SCREW(4)
 - (2) 1/4-20 1" FLAT ALLEN HEAD SCREW(4)
 - (3) 1/4-20 FLANGE HEX NUT(4)
 - (4) 5/8" OD FLAT WASHER(4)
 - (5) ALLEN WRENCH
 - (6) LEG EXTENSION BUTTER PECAN FINISH
OR BLACK WALNUT FINISH
OR GOLDEN FROST FINISH
OR TARNISH COPPER FINISH
OR PUMICE / GOLD B. FINISH
 - (7) PLASTIC GLIDE



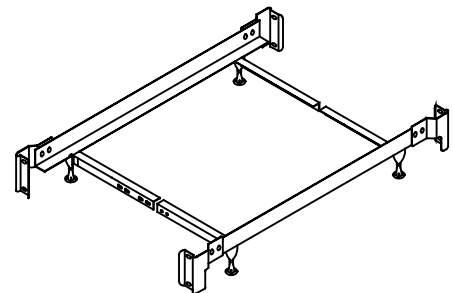
PRODUCT FULLY ASSEMBLED



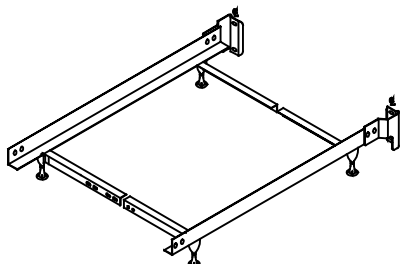
QUEEN - KING BED FRAME FULLY ASSEMBLED
NOTE: SEE INSTRUCTIONS INCLUDED IN FRAME CARTON
FOR FRAME ASSEMBLY



QUEEN - KING HEADBOARD ONLY FRAME FULLY ASSEMBLED FRAMES
NOTE: SEE INSTRUCTIONS INCLUDED IN FRAME CARTON
FOR FRAME ASSEMBLY



TWIN - FULL BED FRAME FULLY ASSEMBLED
NOTE: SEE INSTRUCTIONS INCLUDED IN FRAME CARTON
FOR FRAME ASSEMBLY



TWIN - FULL HEADBOARD ONLY FRAME FULLY ASSEMBLED
NOTE: SEE INSTRUCTIONS INCLUDED IN FRAME CARTON
FOR FRAME ASSEMBLY

FOR ASSISTANCE IN ASSEMBLY ONLY OF THIS PRODUCT. CALL OUR HELP DESK PLEASE HAVE THE STYLE NUMBER AVAILABLE BEFORE YOU CALL. (STYLE # OR NAME CAN BE FOUND ON PACKING CARTON OR SALES RECEIPT.) OUR PRODUCT IS INSPECTED TO ENSURE IT IS IN GOOD CONDITION. IF YOUR FURNITURE APPEARS TO HAVE BEEN DAMAGED IN SHIPMENT OR YOU ARE IN NEED OF REPLACEMENT PARTS PLEASE CONTACT THE DEALER FROM WHOM YOU PURCHASED THE PRODUCT.

Instruction Sheet

SAVE ALL PACKAGING MATERIALS UNTIL PRODUCT IS FULLY ASSEMBLED. HARDWARE AND SMALL PIECES MAY NOT BE SEEN AND BE ACCIDENTALLY DISCARDED WITH PACKAGING MATERIALS.

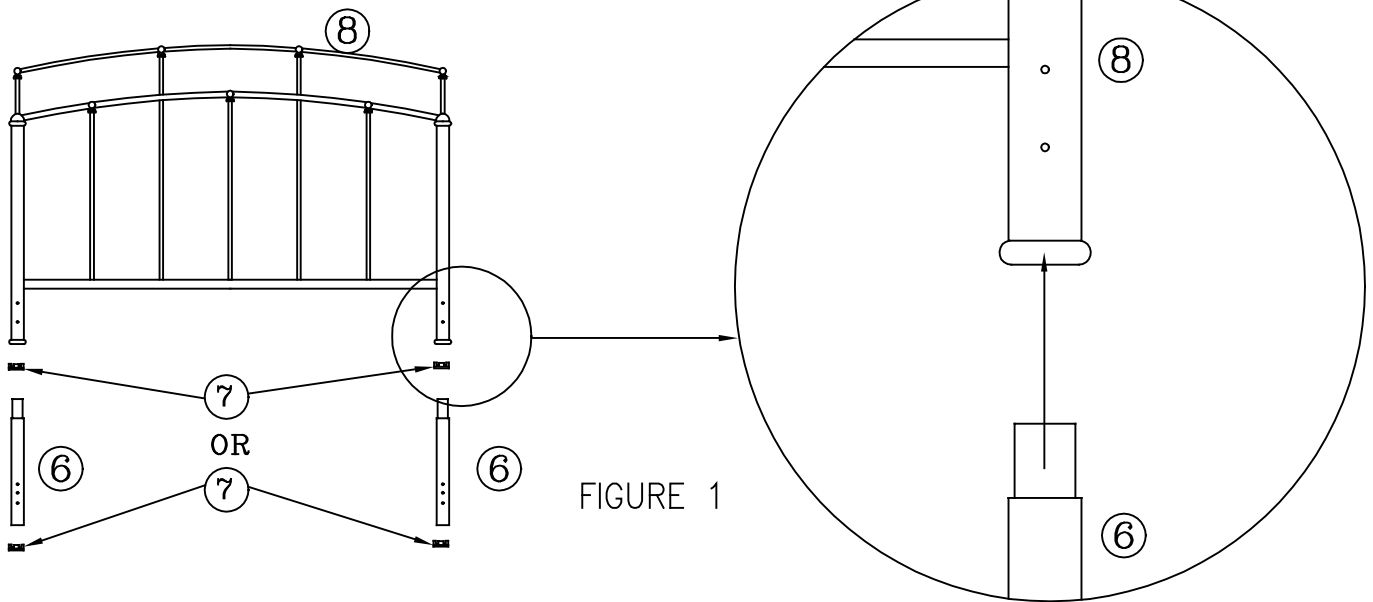


FIGURE 1

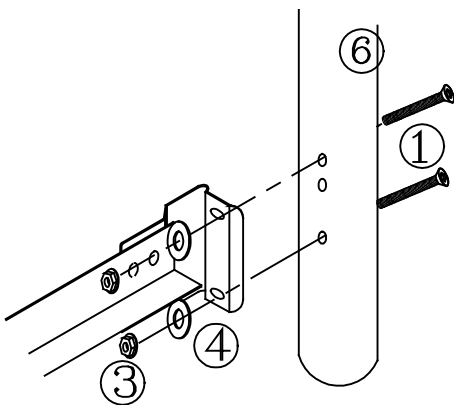


FIGURE 2

NOTE: This product can be used as Headboard only or as Headboard/Footboard bed. Insert plastic glide (7) into leg extension (6) for headboard assembly. For footboard assembly insert plastic glide (7) into bottom of panel (8) posts. See Figure 1

Step 1 Headboard assembly

- Align top reduction of extension legs (6) with bottom of headboard posts. (See Figure 1) Make sure the 3 holes on extension legs are perpendicular to headboard panel.
- Now carefully insert extension legs (6) into bottom of panel (8) posts.

Step 2

- Place headboard and frame in desired location in room.
- Place 2 screws (1) through holes located in leg (6). (See Figure 2)
- Align bed frame bracket over screws.
- Place a flat washer (4) first and then a nut (3) on each screw. Hand-tighten, DO NOT TIGHTEN screws all the way.
- Repeat on other side of headboard.
- Tighten all screws securely using the Allen wrench.

Step 3 Footboard Assembly

- Discard Leg extension (6) for footboard attachment to frame.
- Position footboard panel and align holes in the panel (8) post with holes in the frame bracket. See figure 3
- Place flat washer (4) on each screw (2). Insert through bracket and into post. Hand-tighten, DO NOT TIGHTEN screws all the way.
- Repeat on other side of footboard panel.
- Tighten all screws securely using the Allen wrench.

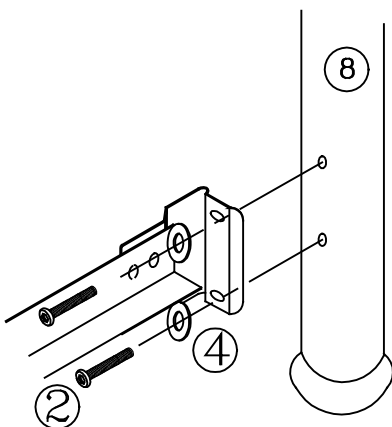


FIGURE 3