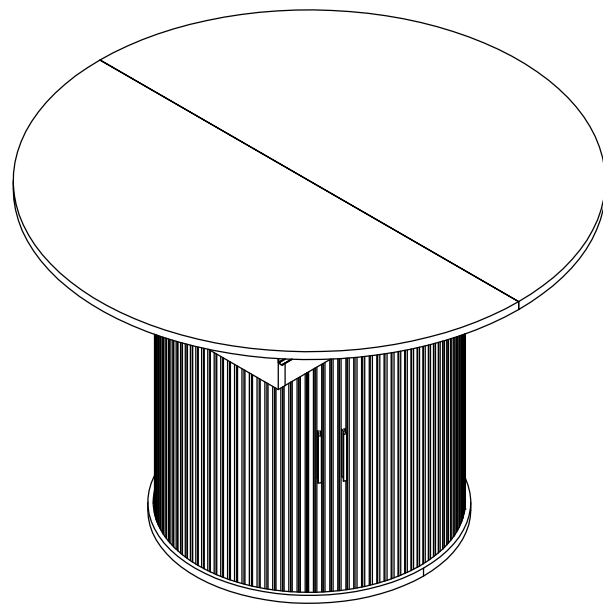


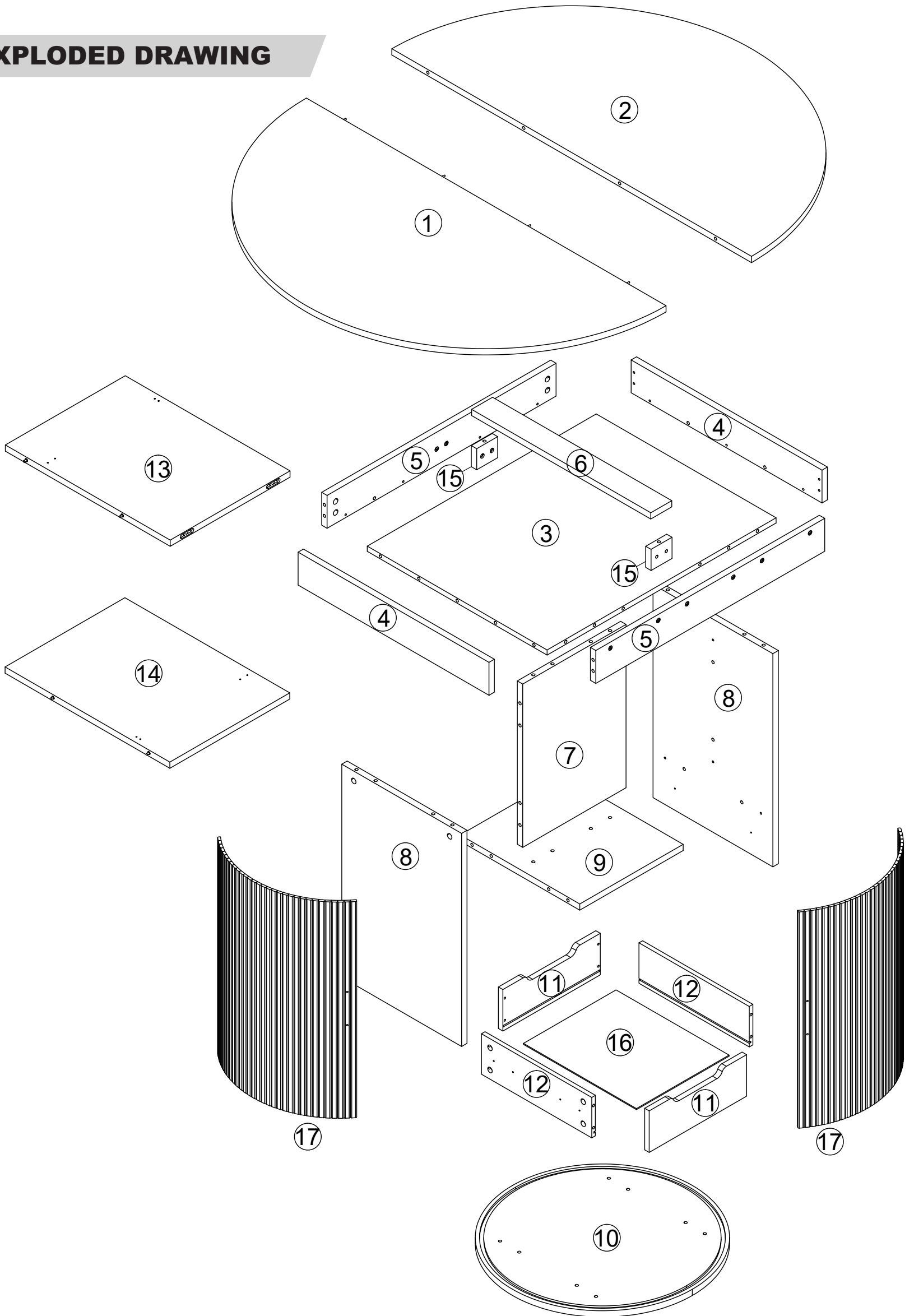
**style:A**

**OR**


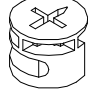
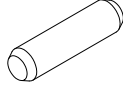
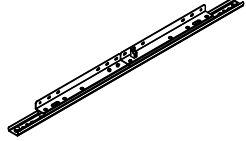


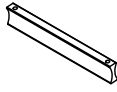

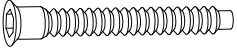

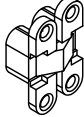

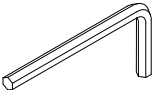


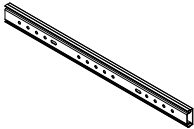




**style:B**

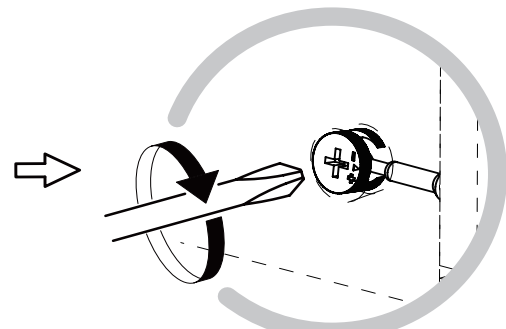
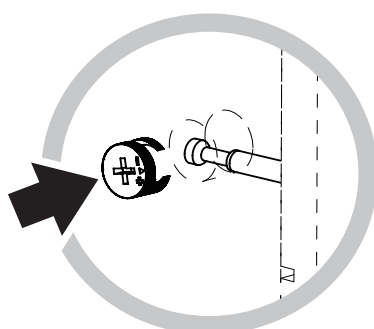
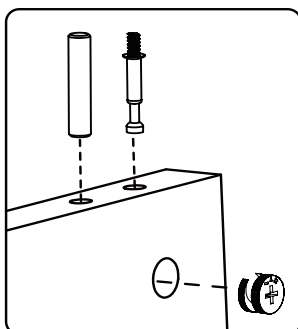
# EXPLODED DRAWING



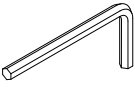


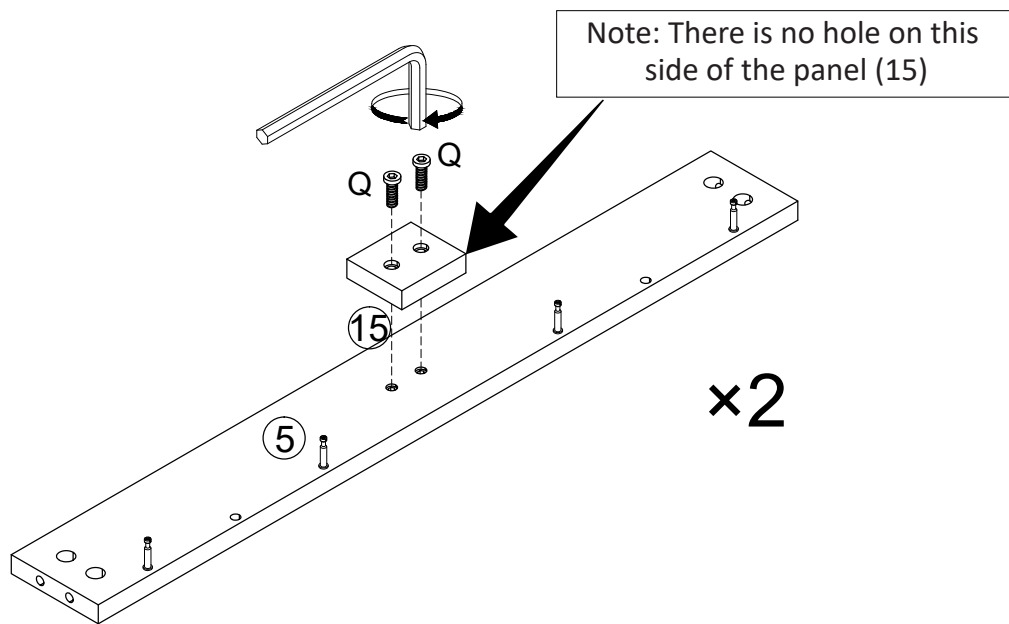
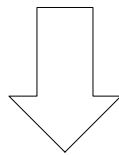
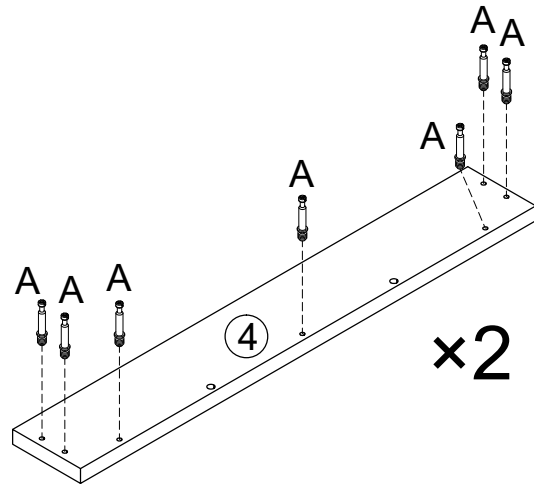
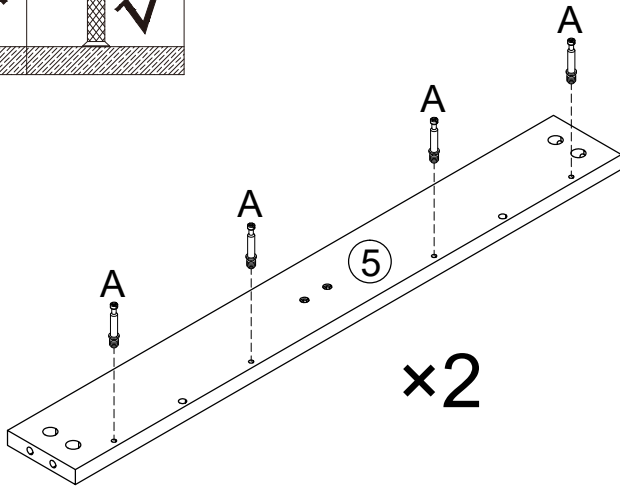
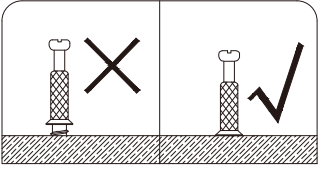
# PARTS


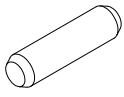
	<b>A</b> × 44 M6 × 35		<b>B</b> × 44 M15 × 10		<b>C</b> × 30 M8 × 30		<b>D</b> × 2 800
	<b>E</b> × 36 M5 × 12		<b>F</b> × 4		<b>G</b> × 4 110		<b>H</b> × 8 M4 × 10
	<b>J</b> × 6 M7 × 50		<b>K</b> × 4 Ø40		<b>L</b> × 2		<b>M</b> × 8 Ø3.5 × 20
	<b>N</b> × 1 M4		<b>P</b> × 24 M3.5 × 12		<b>Q</b> × 4 M5 × 22		<b>R</b> × 2 342
	<b>S</b> × 18 Ø20		<b>T</b> × 4 M3 × 12				

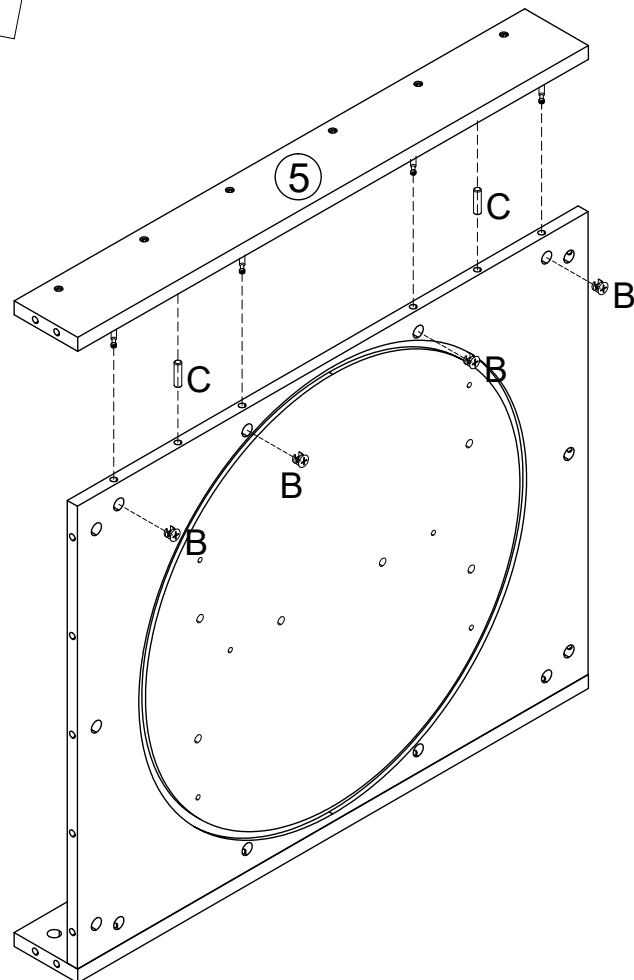
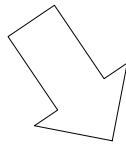
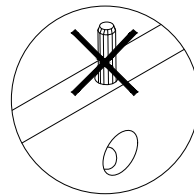
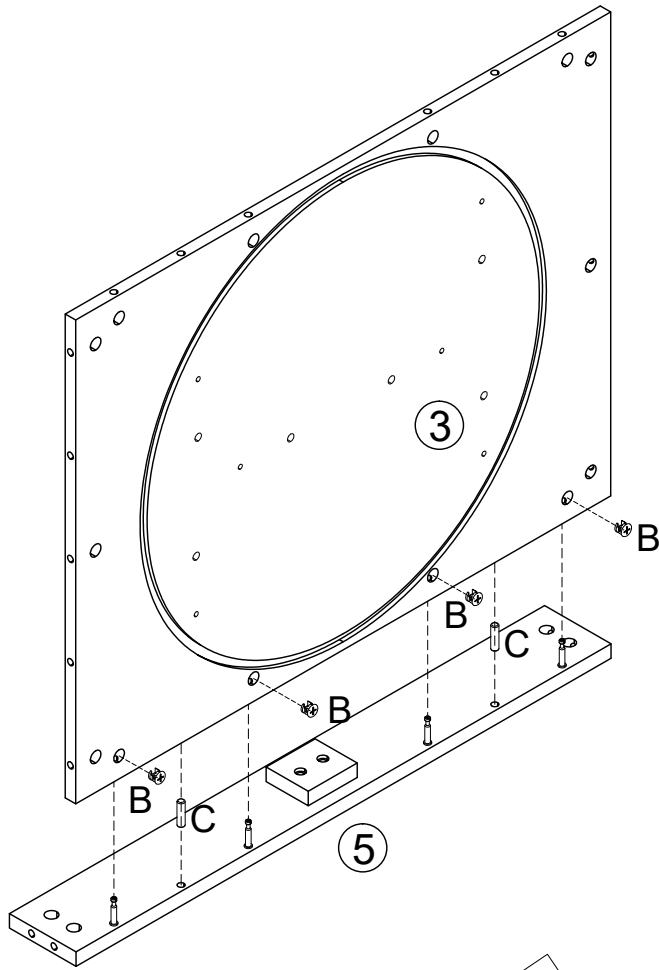
## MINIFIX POSITION


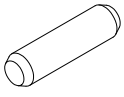


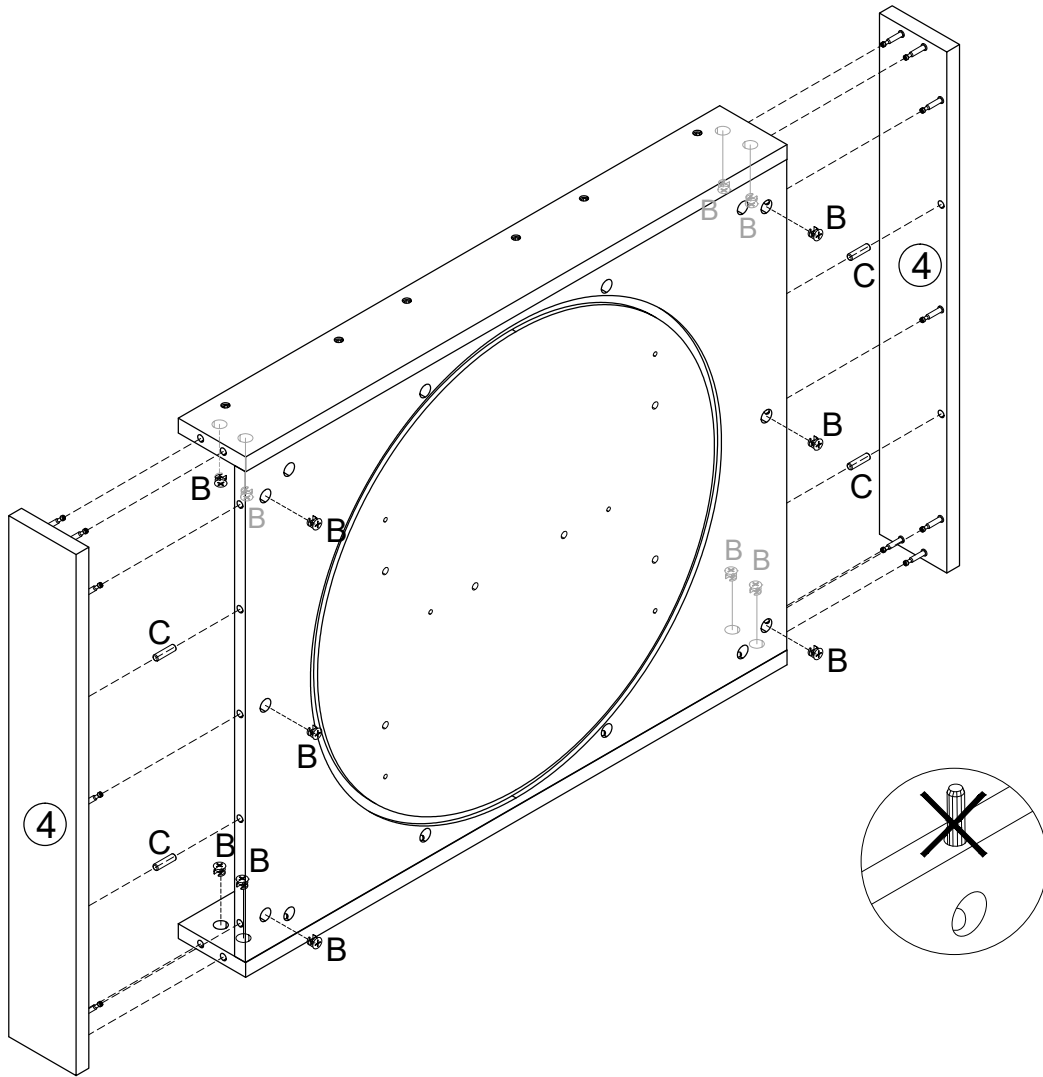
	<b>A</b> x22 M6x35		<b>Q</b> x4
			<b>N</b> x1

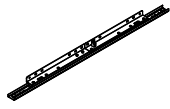

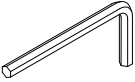


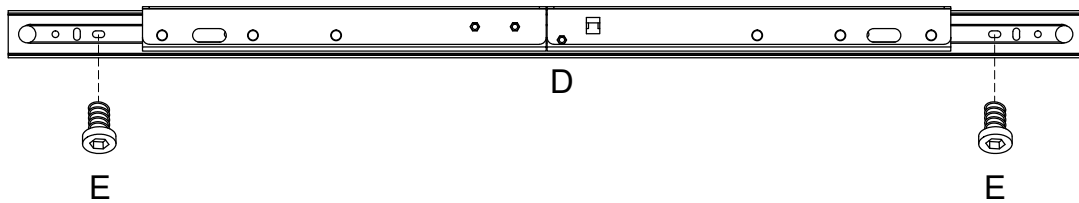
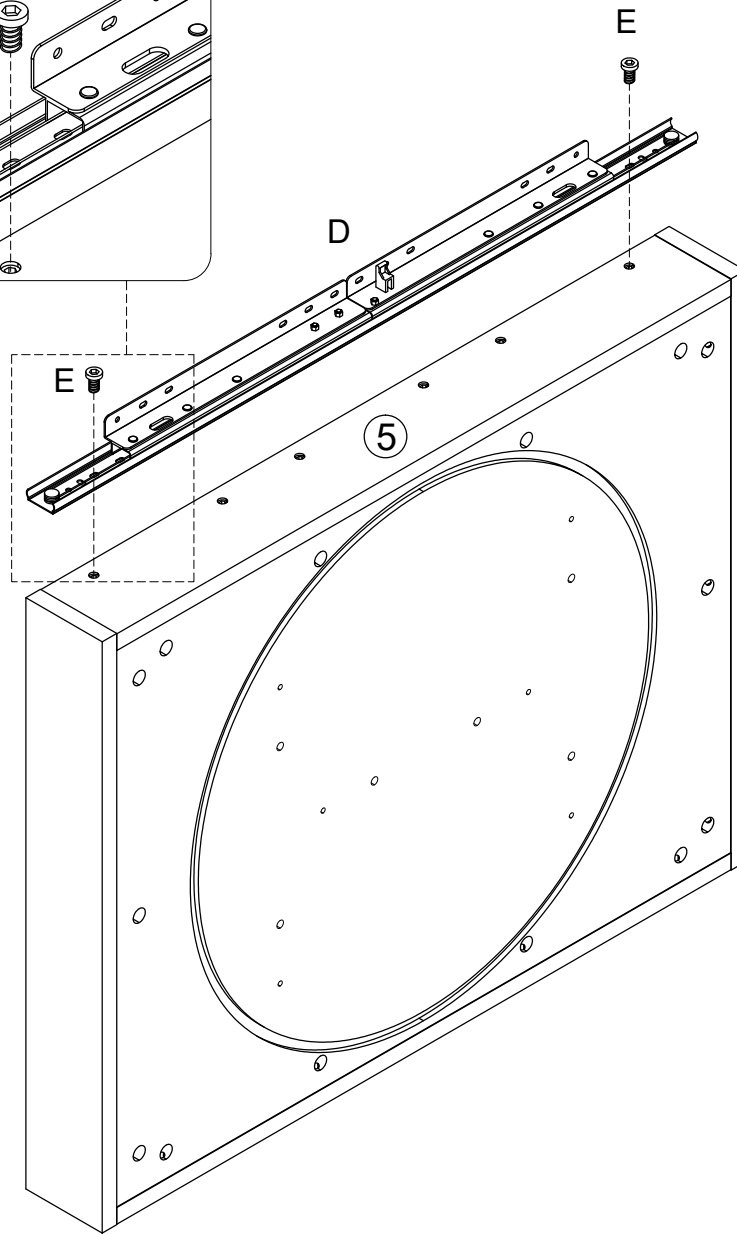
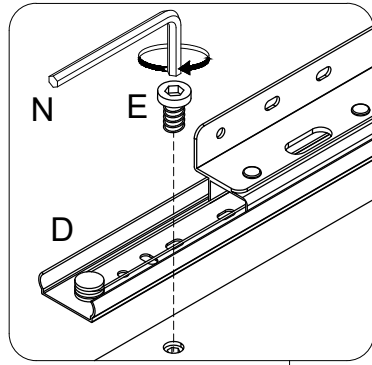
	<b>B</b> x8		<b>C</b> x4
	M15x10		M8x30


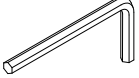


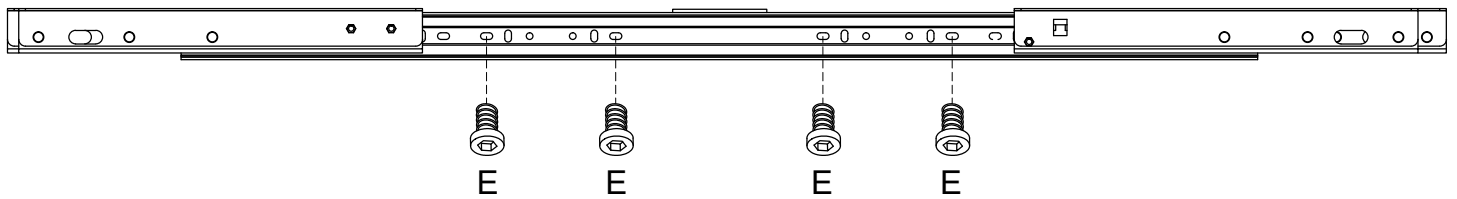
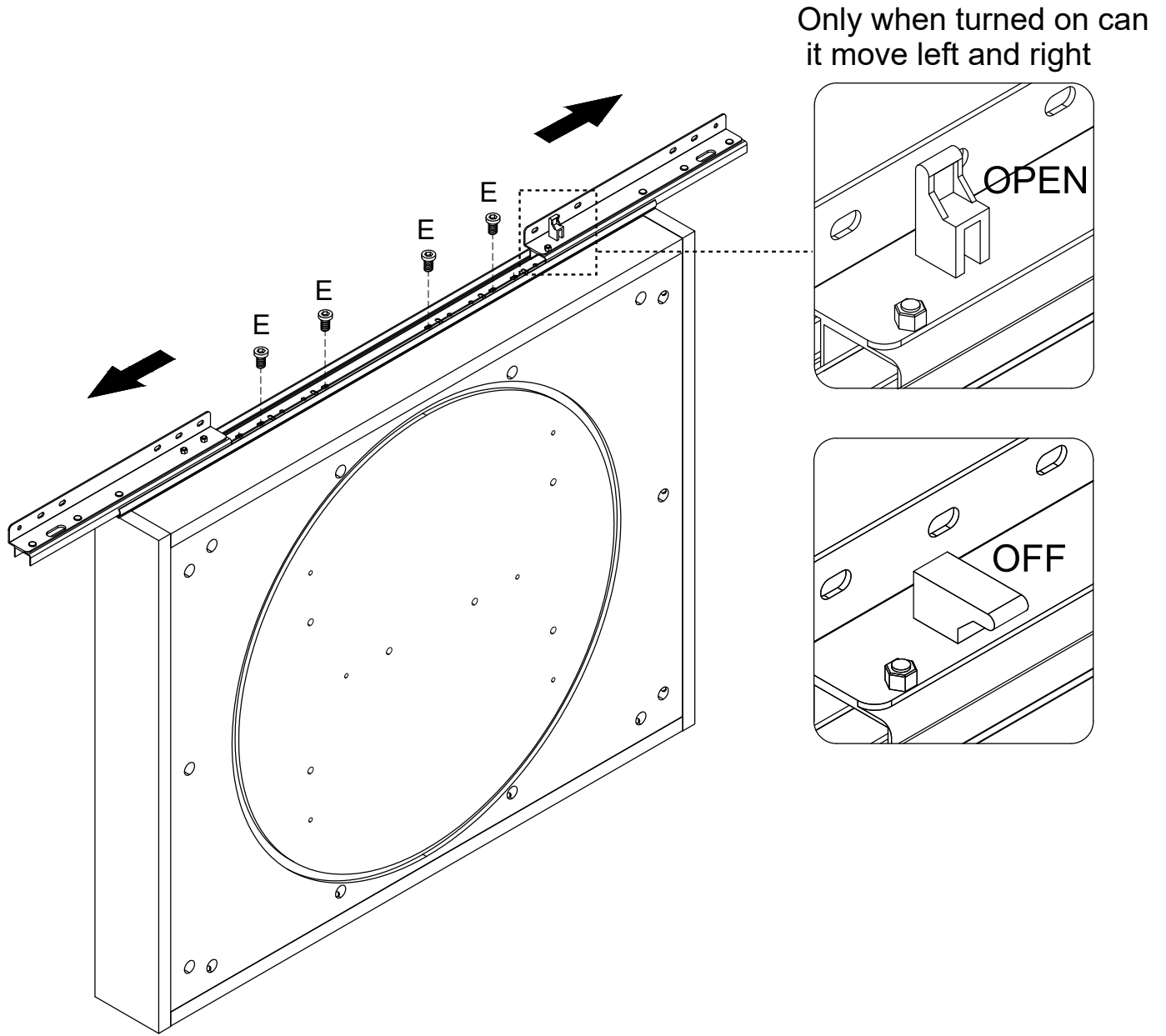
	<b>B</b> x14		<b>C</b> x4
	M15x10		M8x30

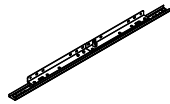

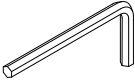


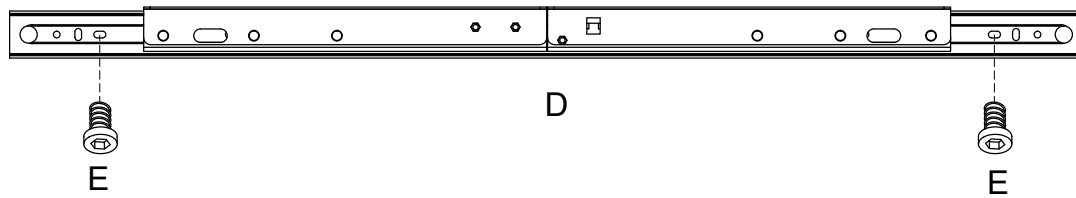
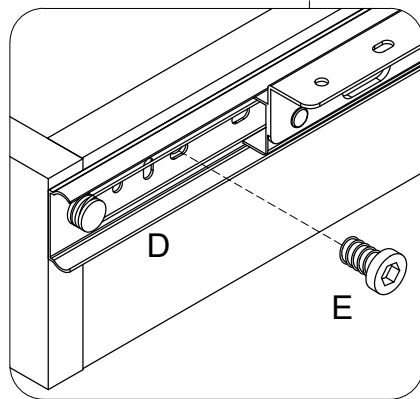
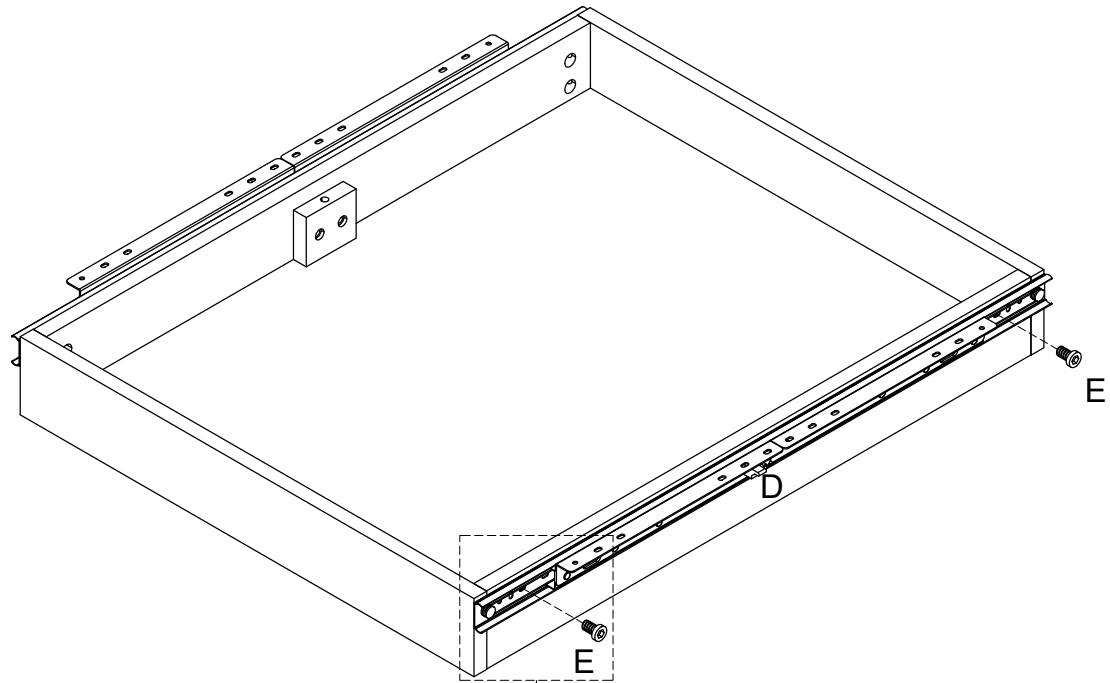
	D x1		E x2
			N x1


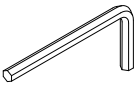


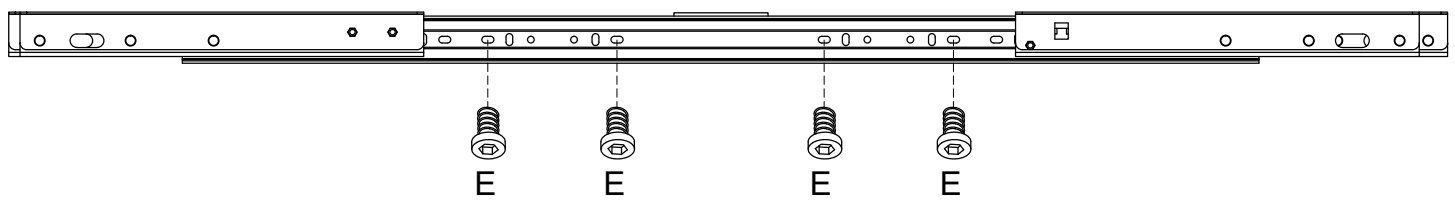
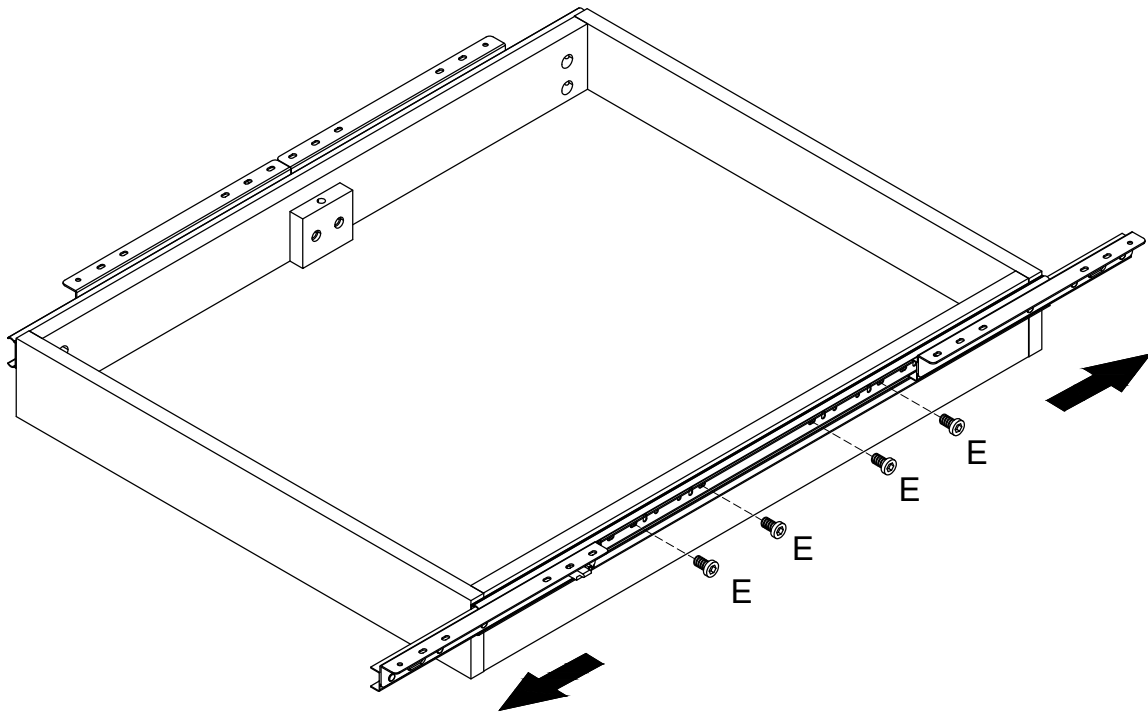
	E x4		N x1
---	------	---	------

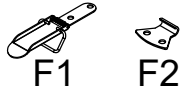



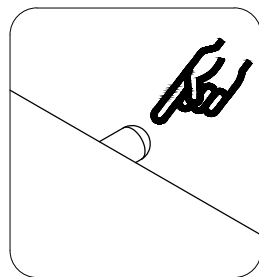
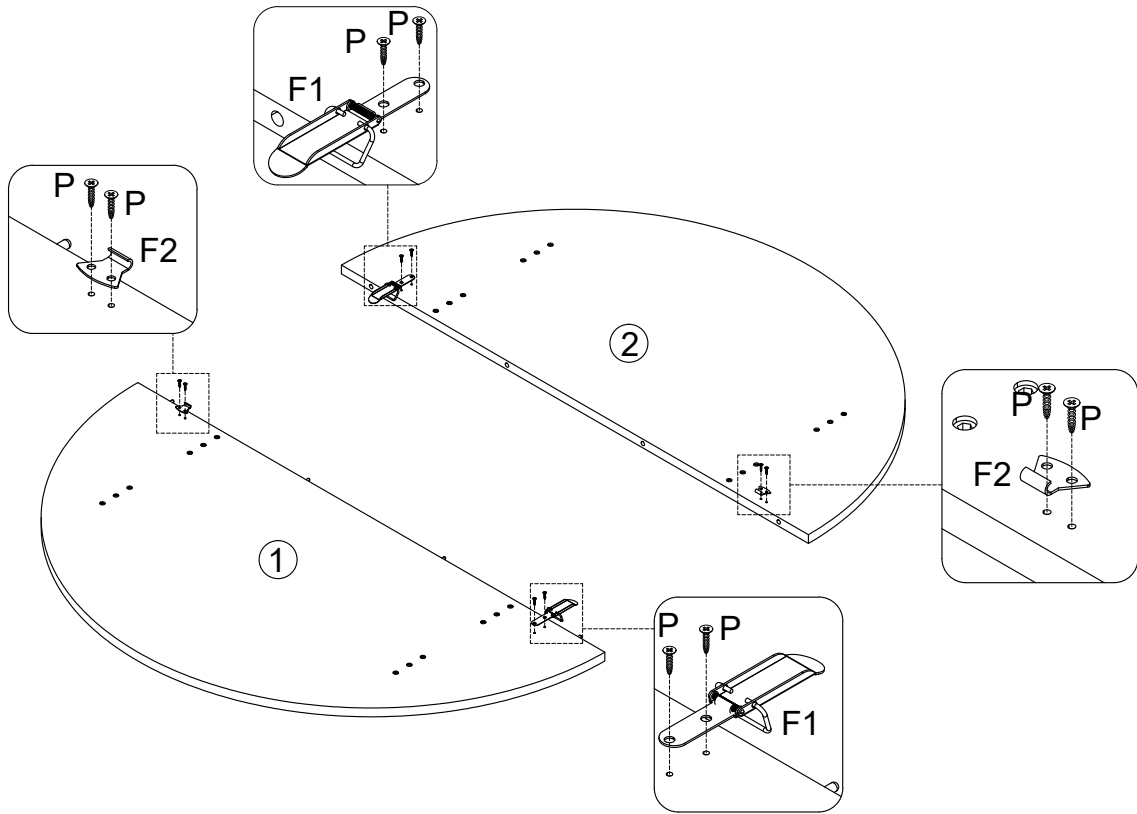
	D x1		E x2
			N x1



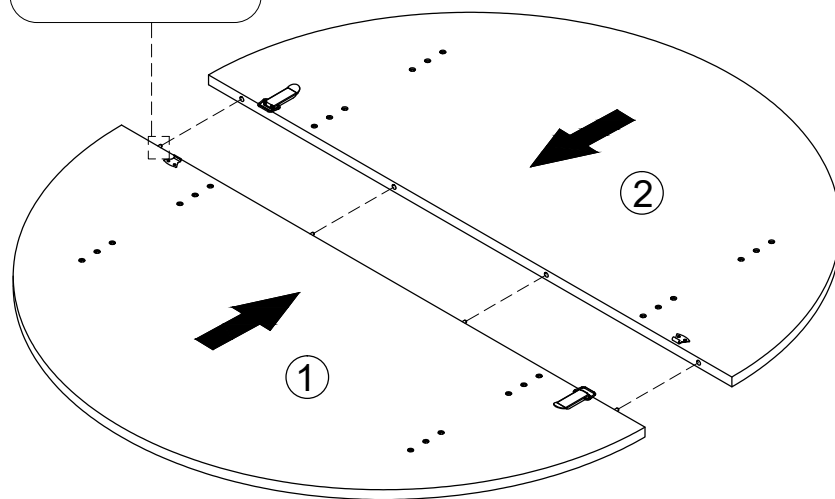
	E x4		N x1
---	------	---	------

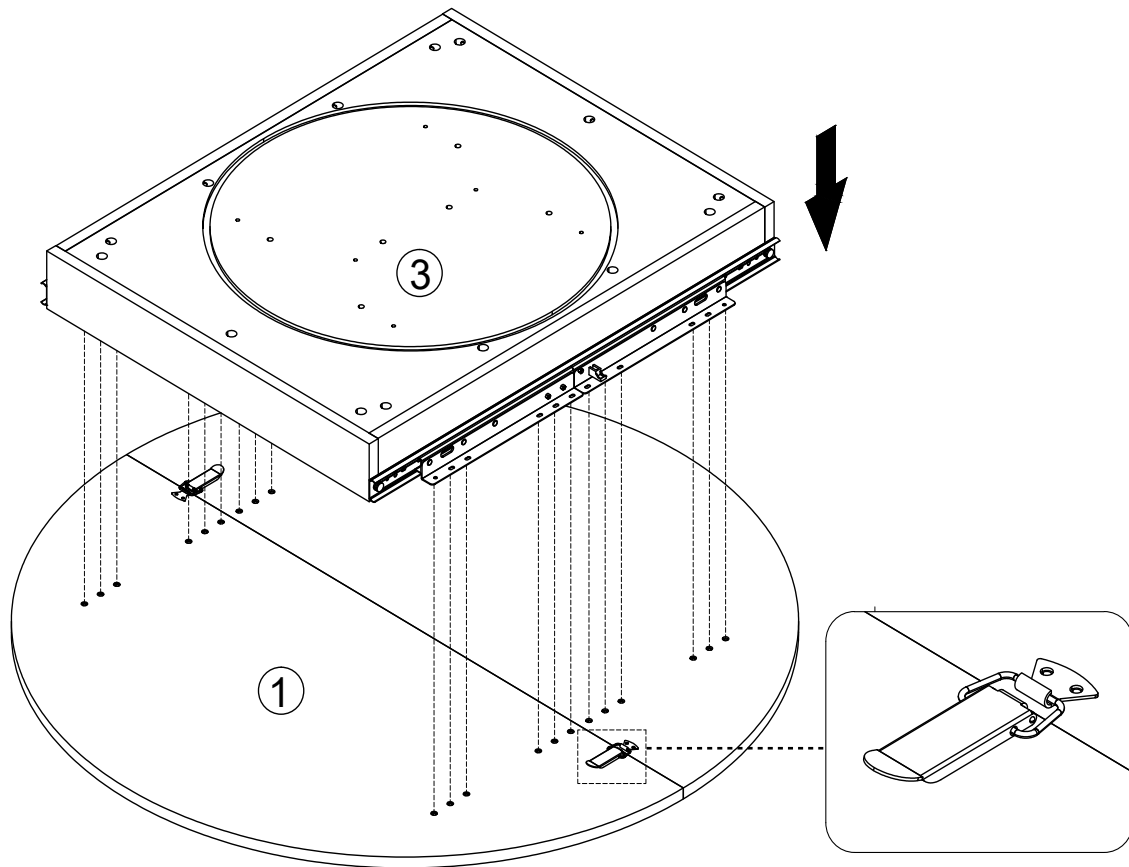
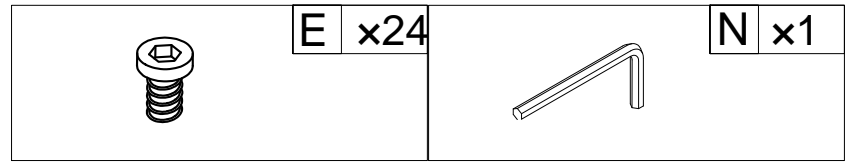


 F1 F2	F x2	 P x8
---	------	---

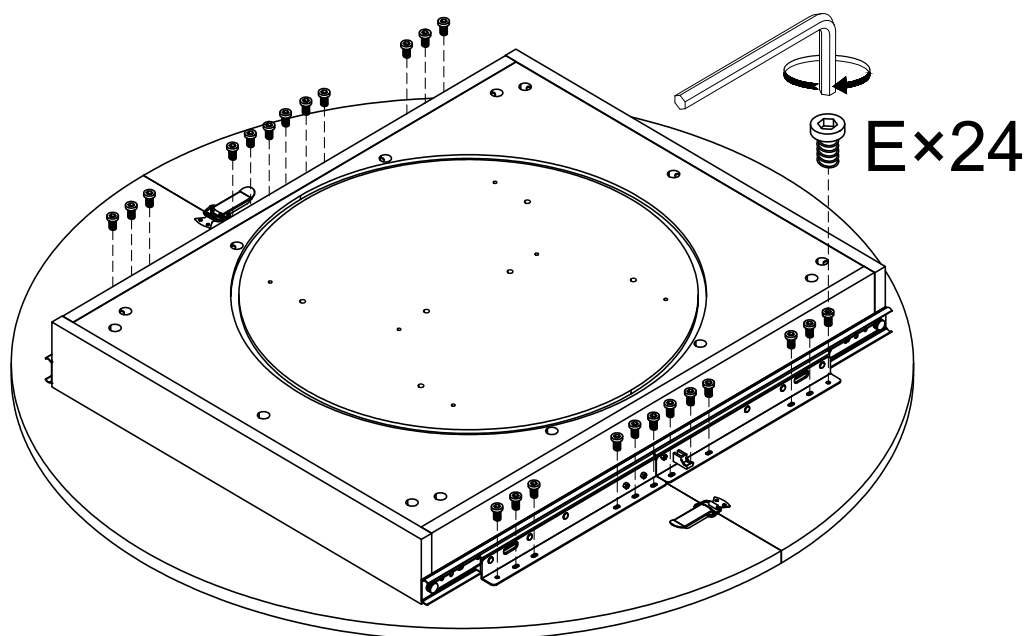
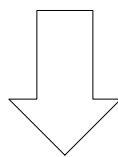


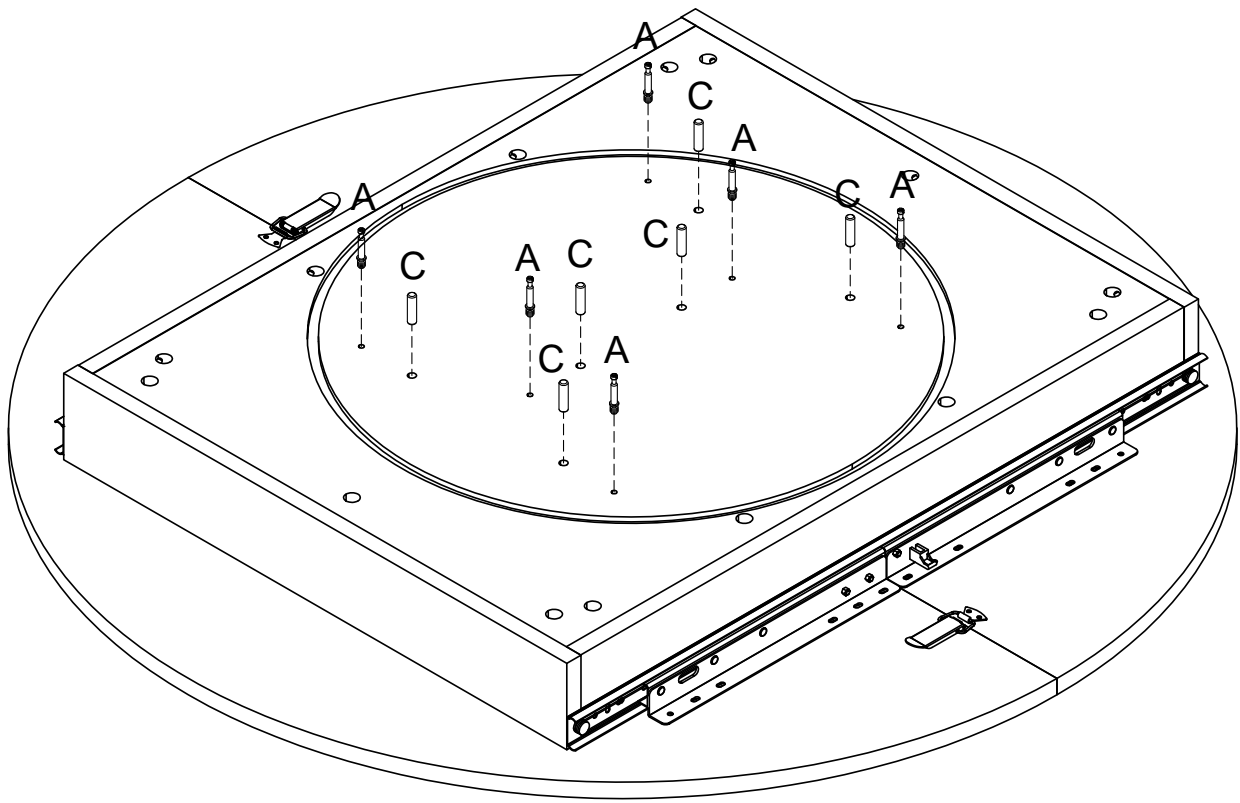
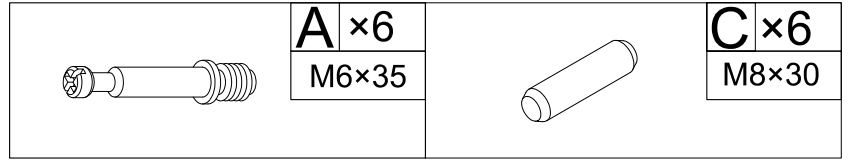
**Notice**


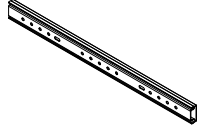



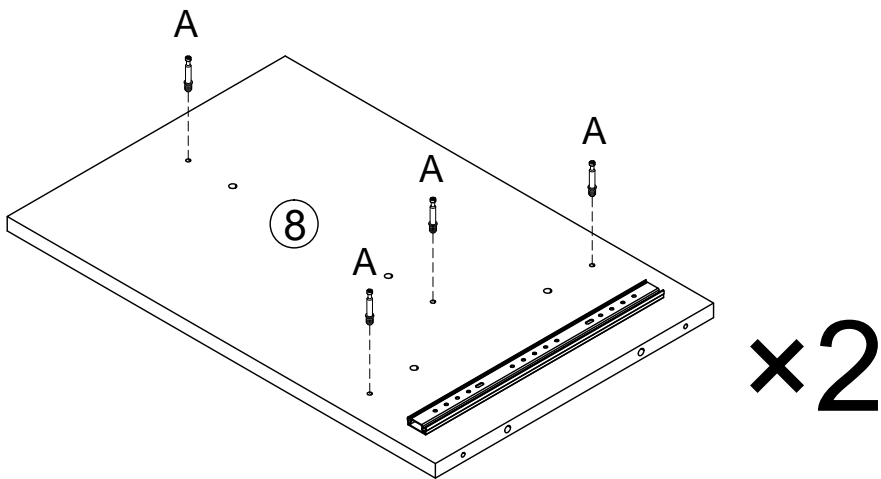
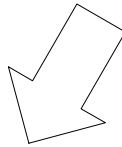
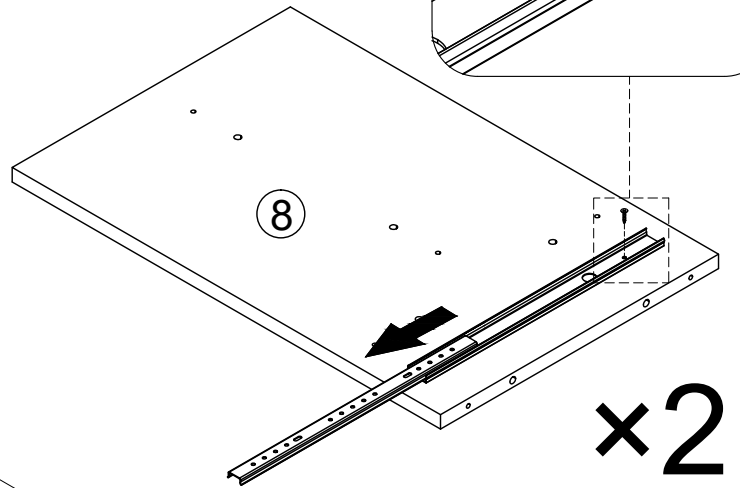
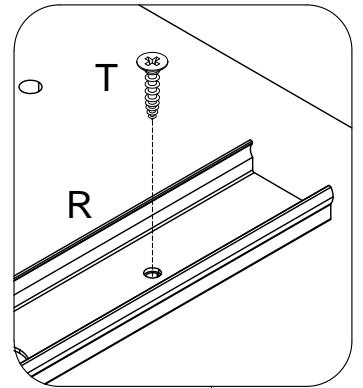
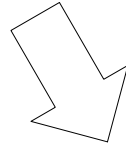
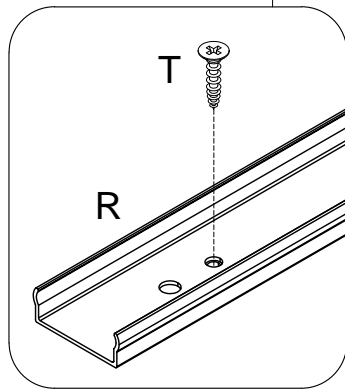
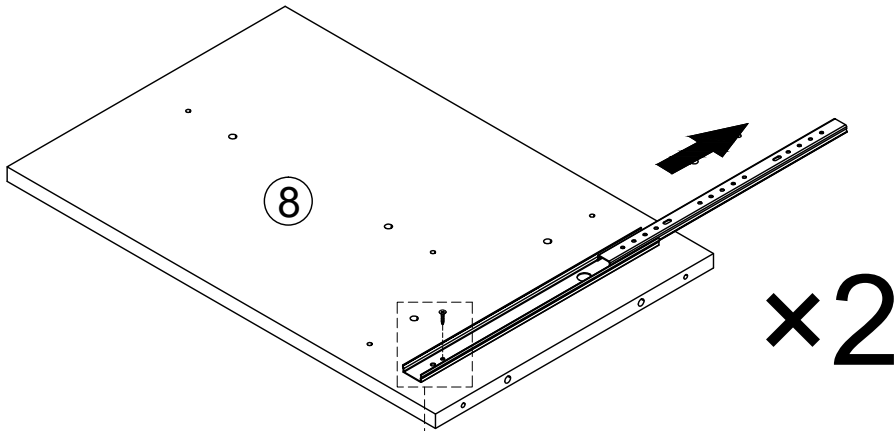


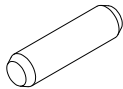
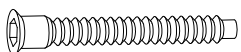

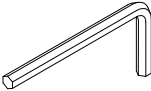
Fasten (F1) and (F2) together.

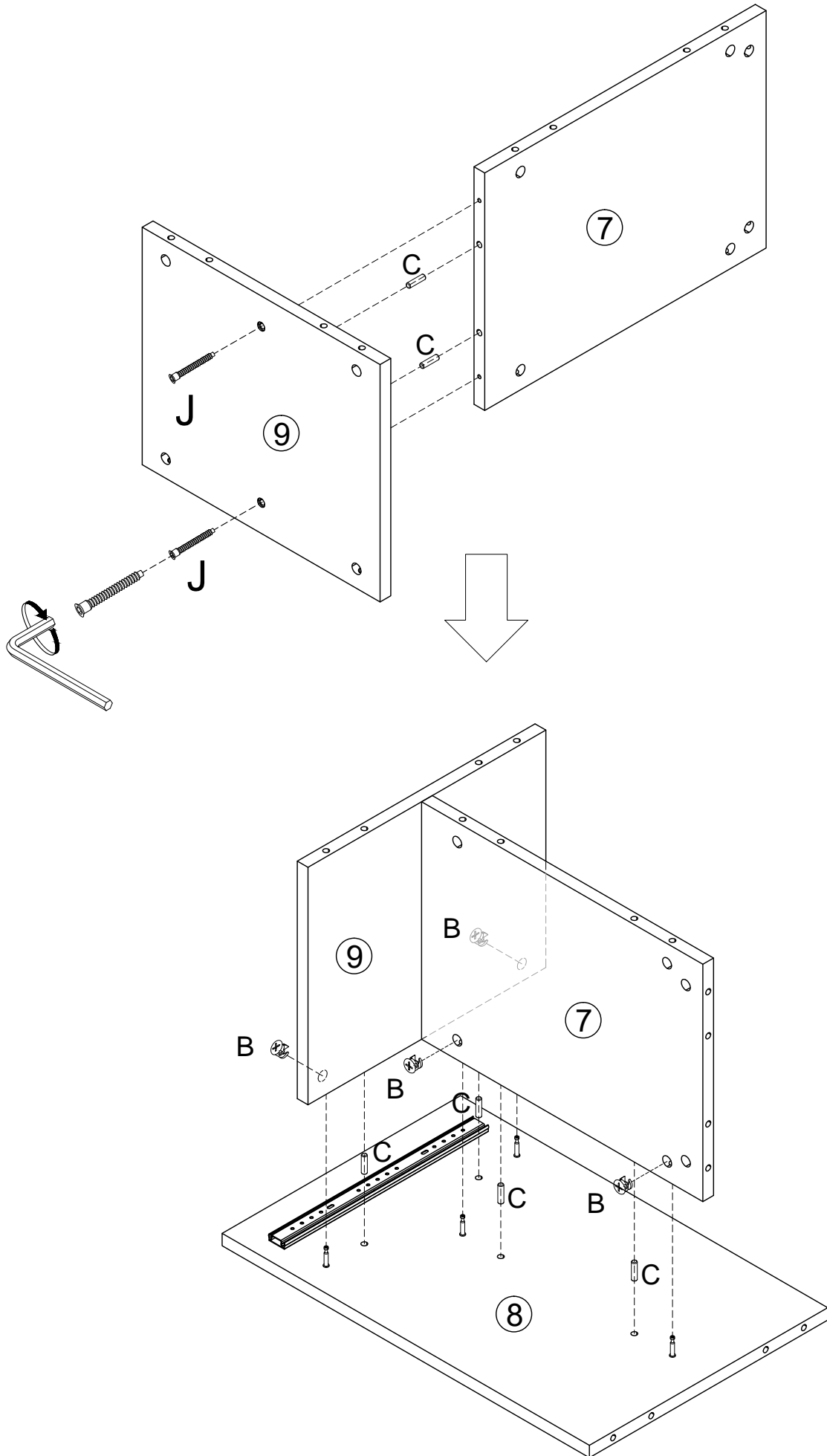



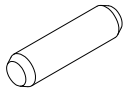


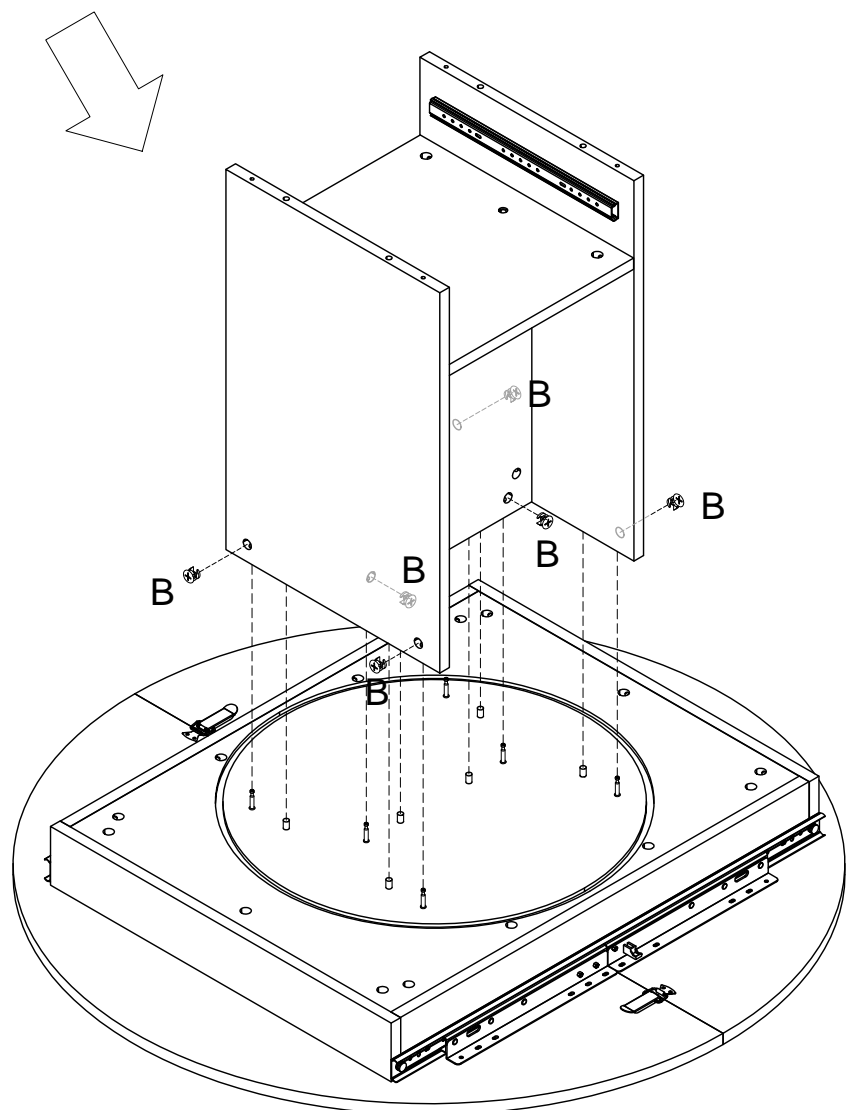
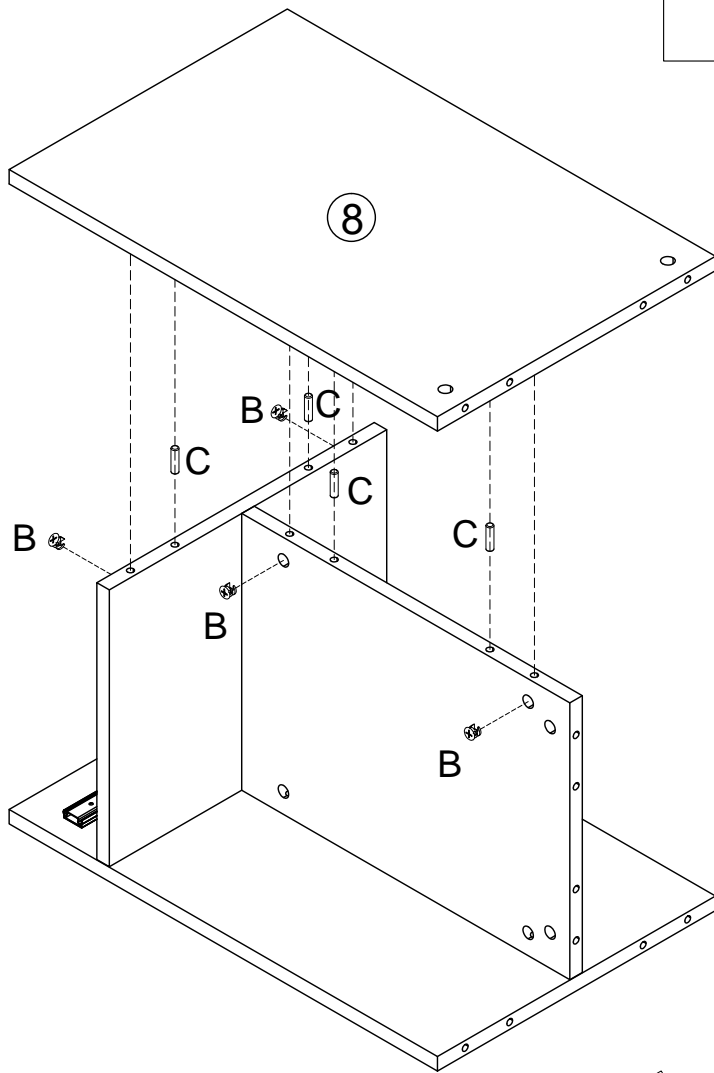
	A × 8		R × 2
	M6 × 35		T × 4
			M3 × 12

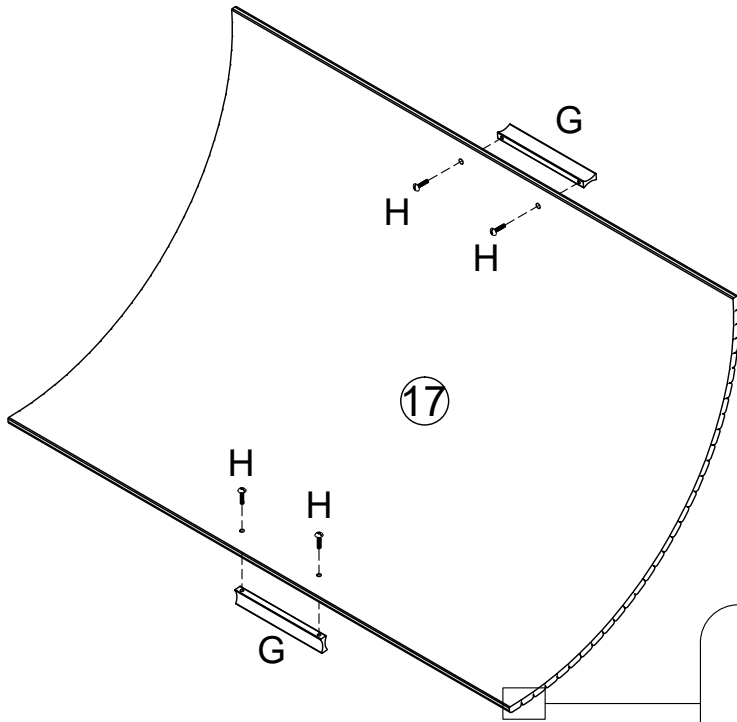


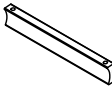
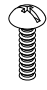
	<b>C</b> × 6		<b>J</b> × 2
	M8×30		M7×50
	<b>B</b> × 4		<b>N</b> × 1
	M15×10		M4



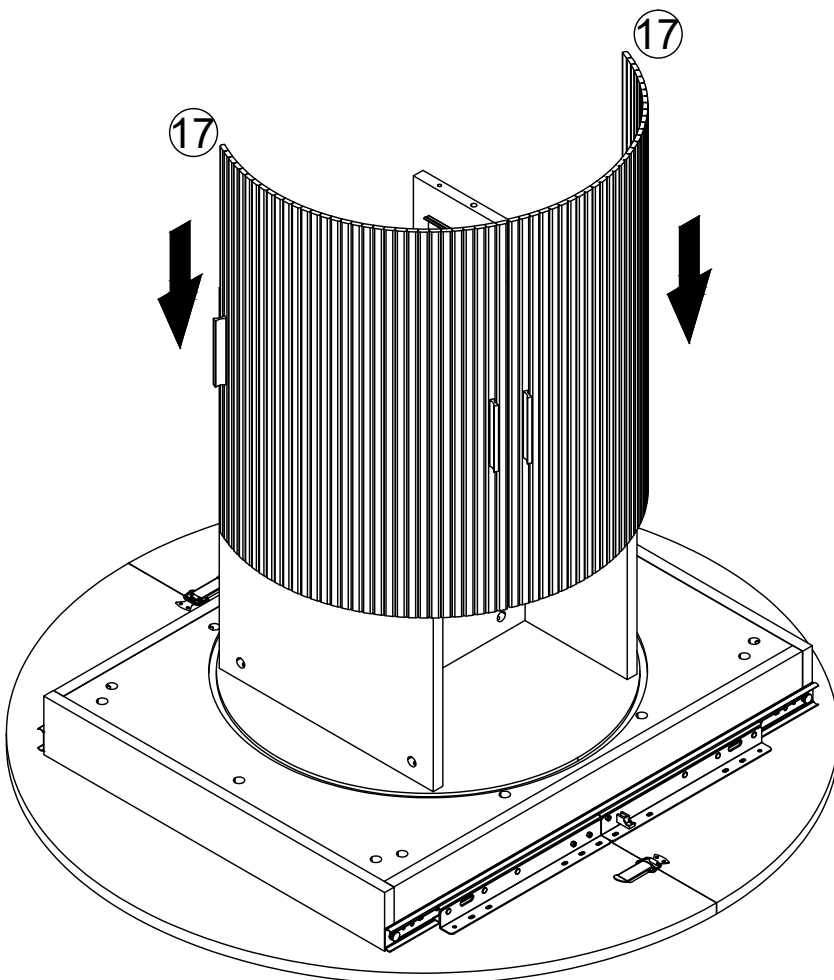
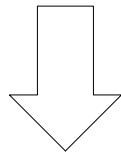
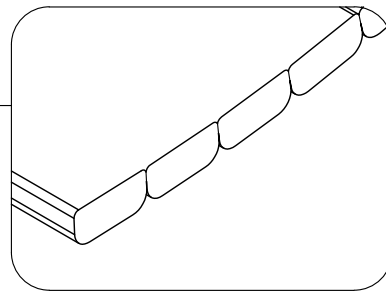
	<b>B</b> × 10		<b>C</b> × 4
	M15 × 10		M8 × 30



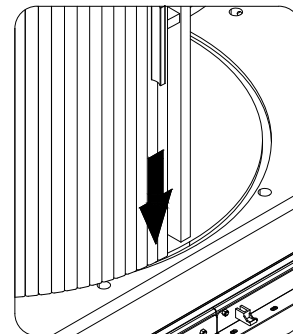


	<b>G×4</b>
	110
	<b>H×8</b>
	M4×10

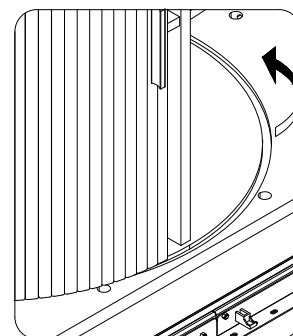
×2

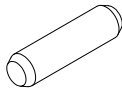
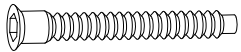
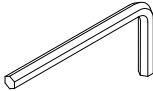


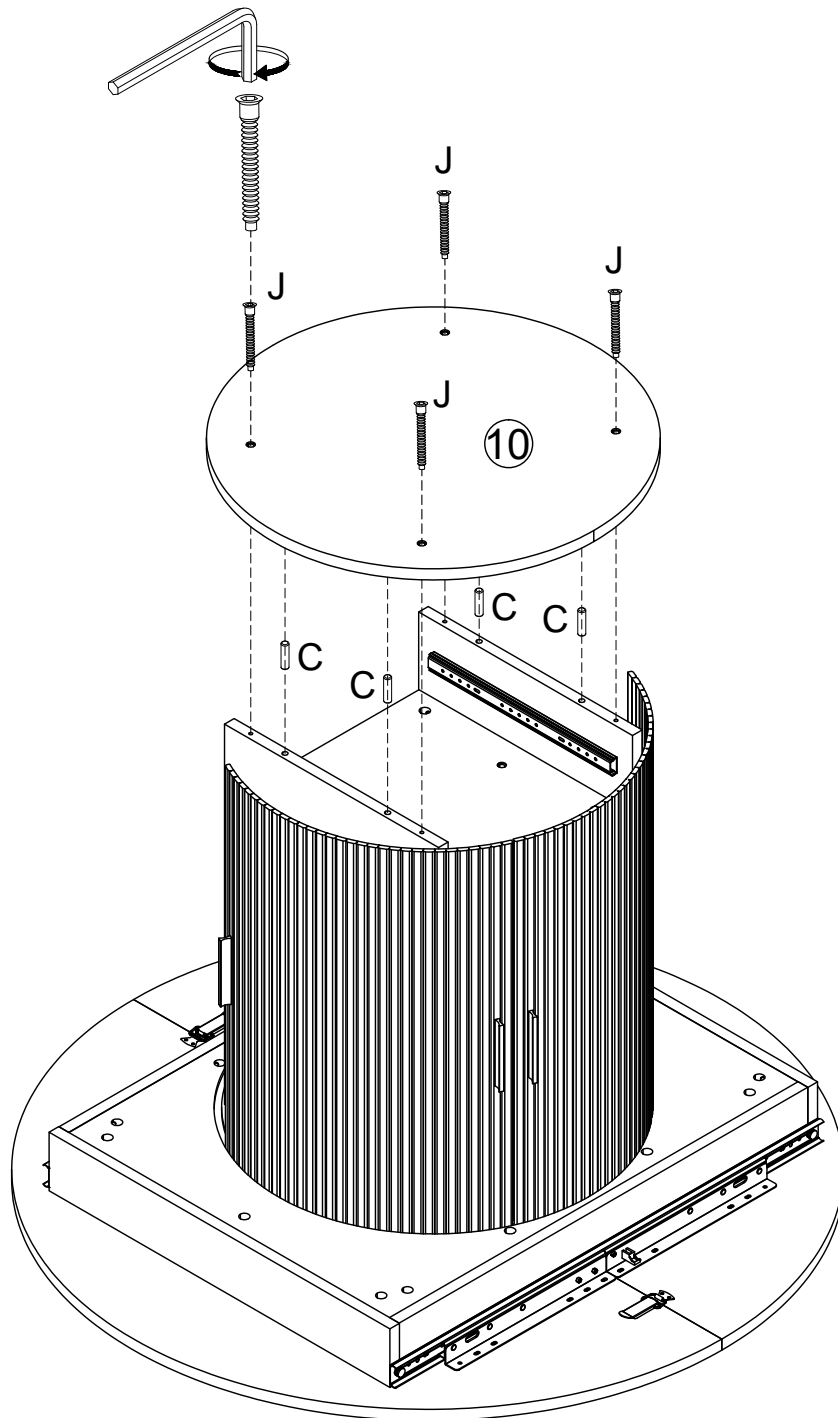
(1) Tilt into the groove




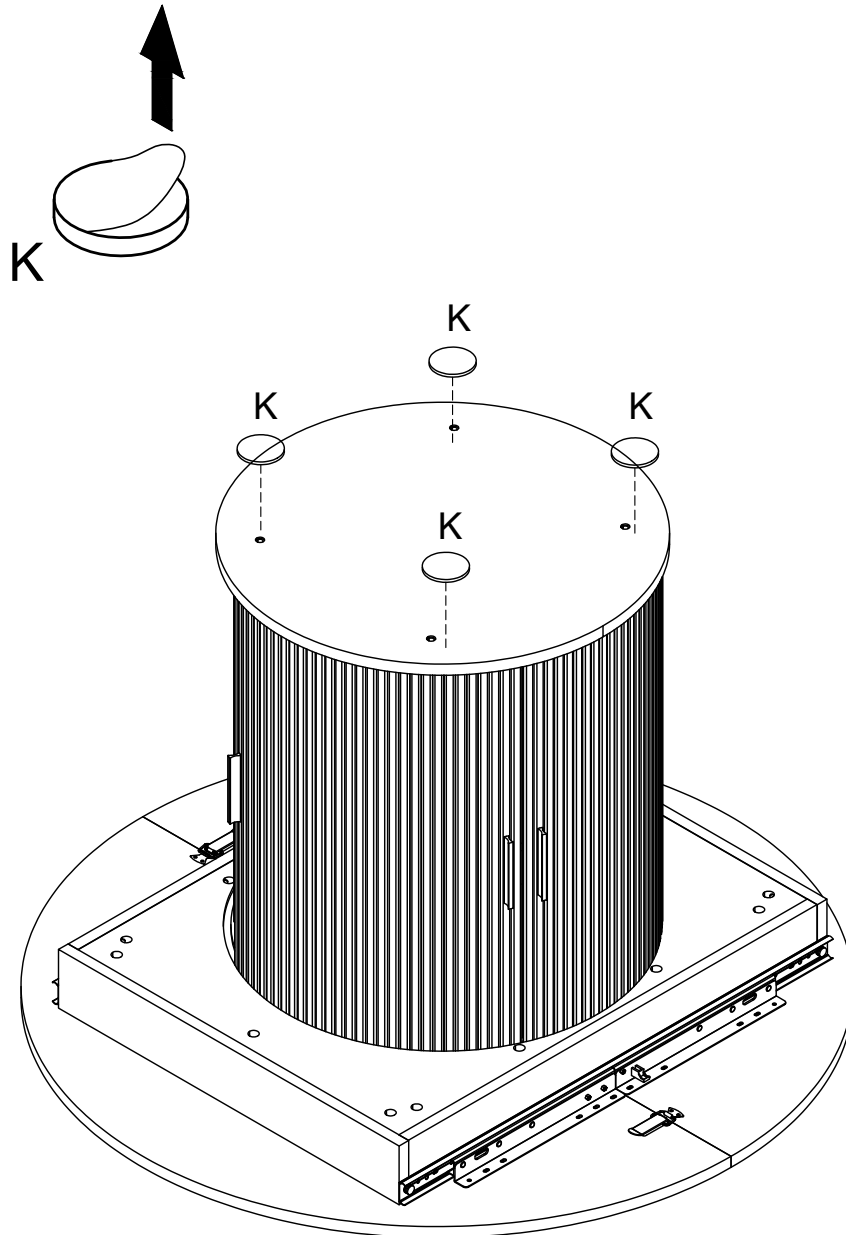
(2) Slide



	<b>C</b> × 4		<b>J</b> × 4
	M8×30		M7×50
			<b>N</b> × 1
			M4

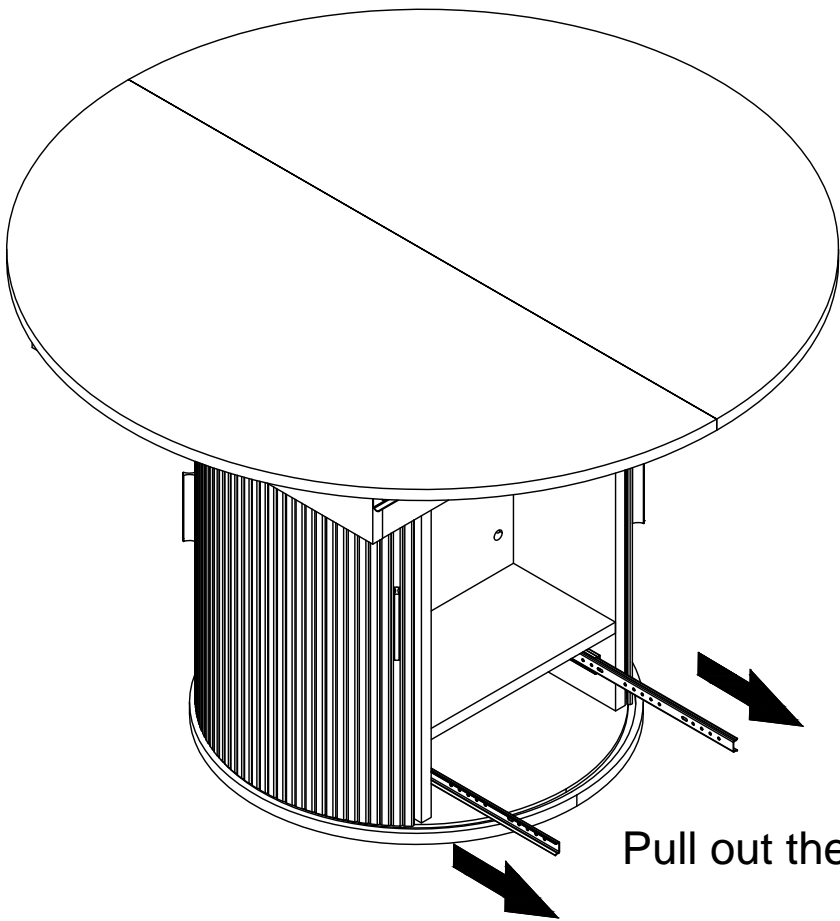


	<b>K</b> × 4
	Ø40

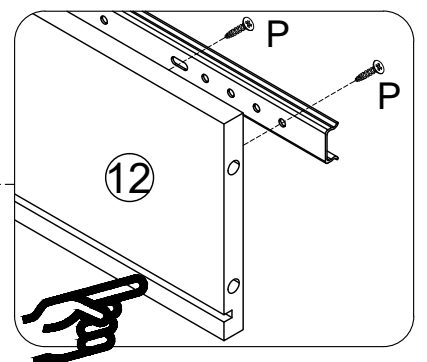
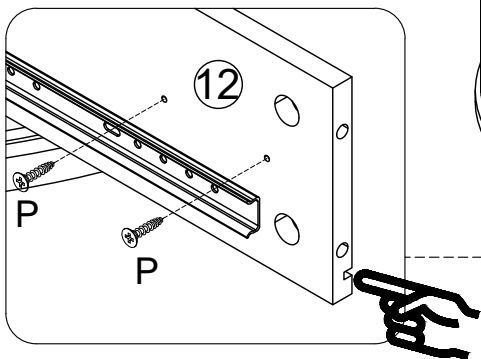
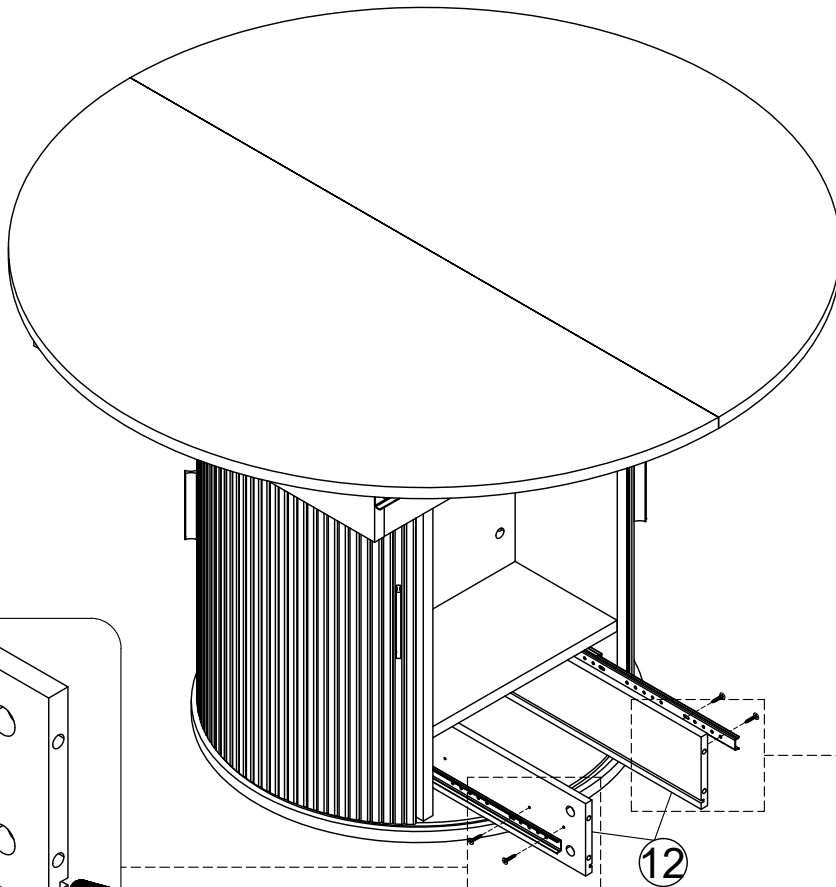
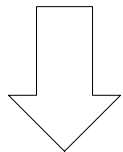



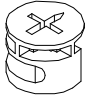


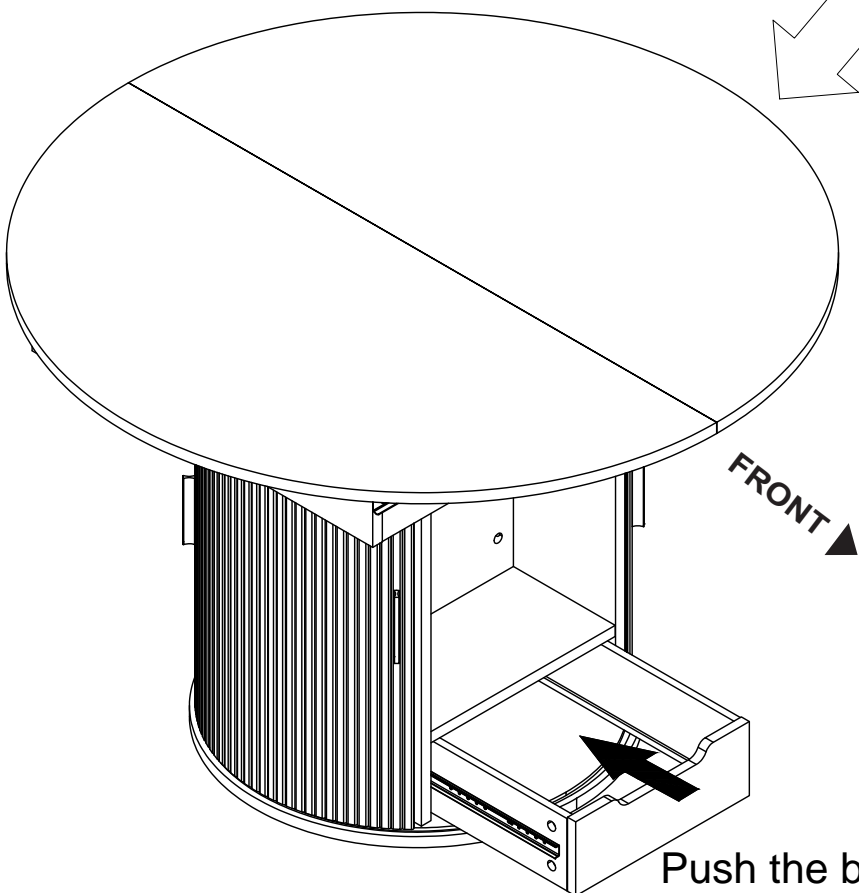
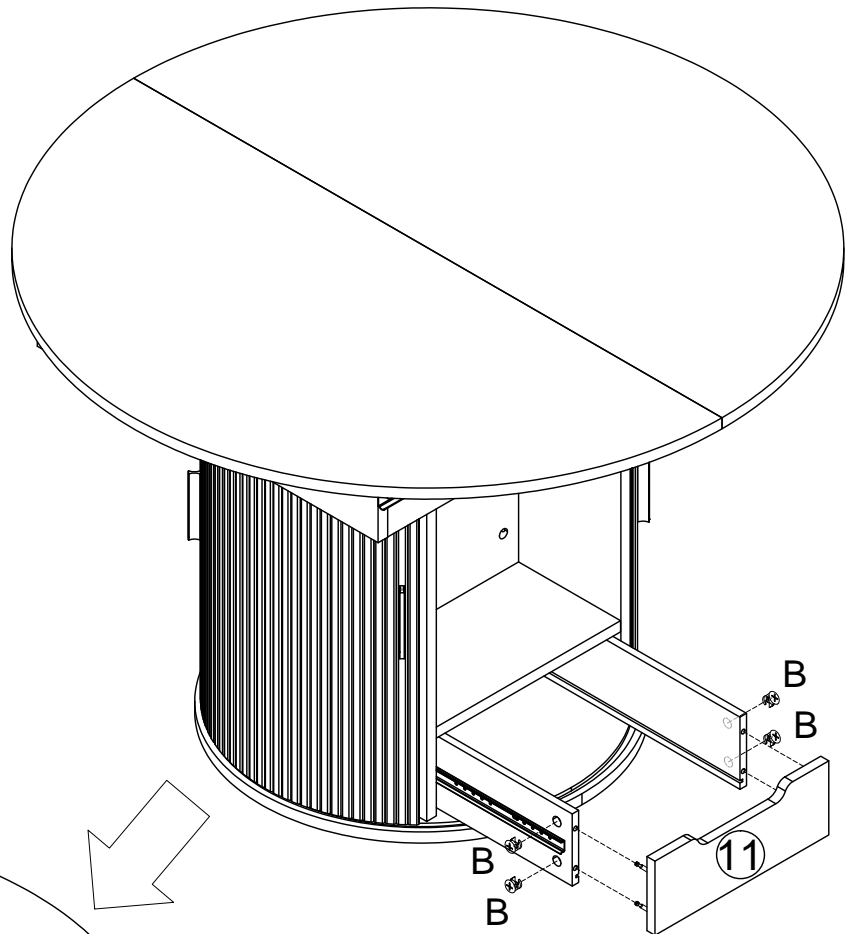
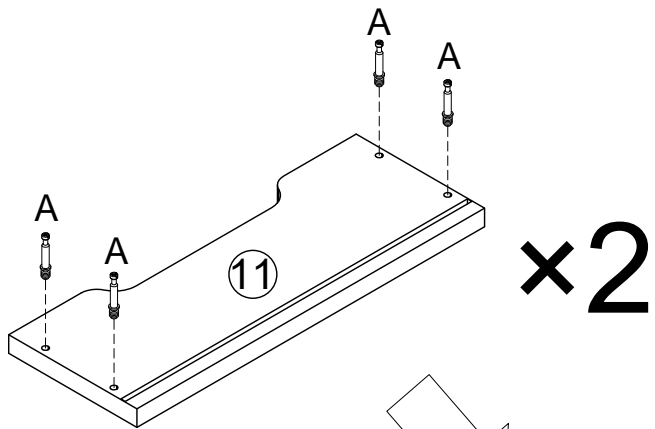
P x 4  
M3.5 x 12



Pull out the slide rail



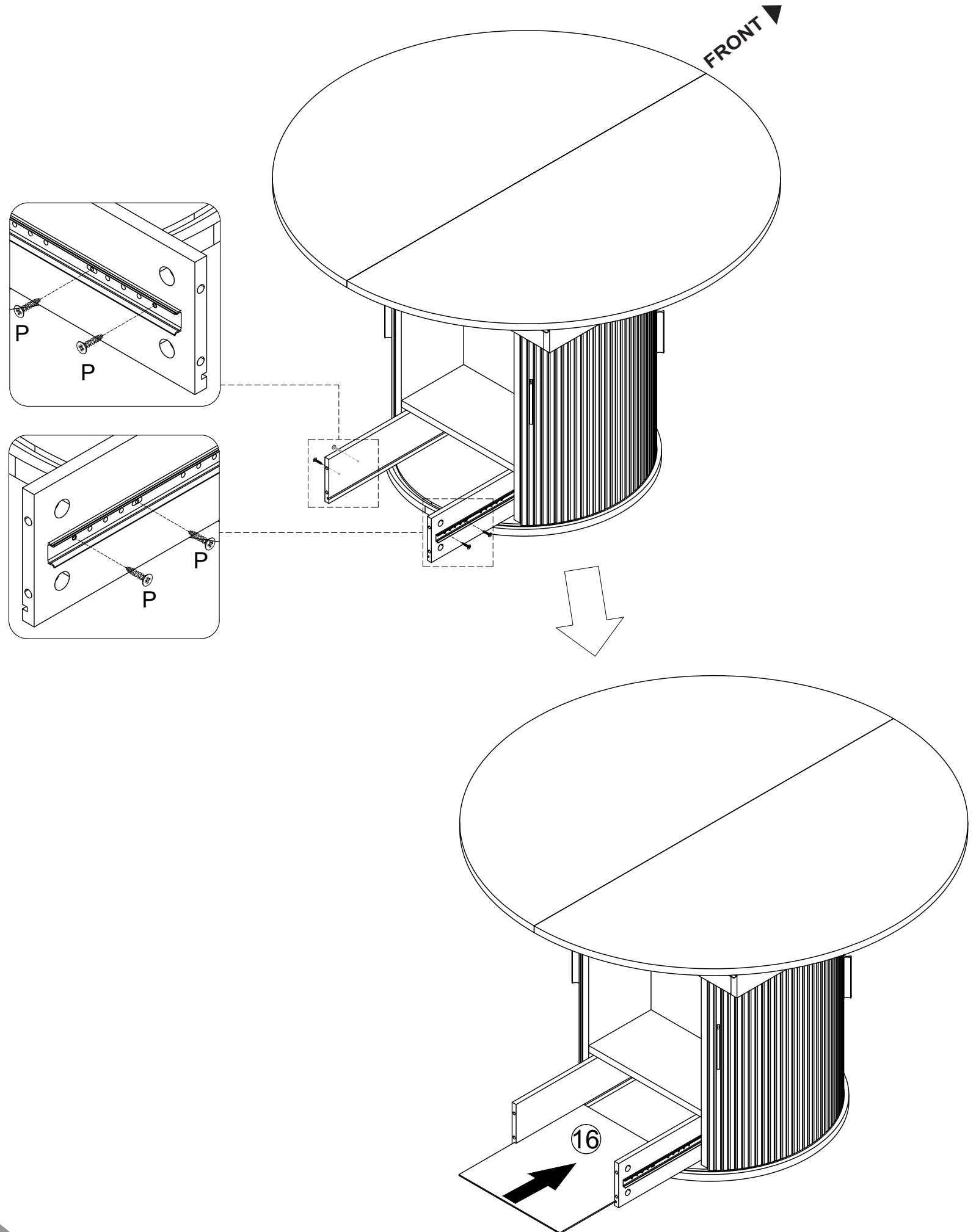
	<b>A</b> × 8		<b>B</b> × 4
	M6×35		M15×10

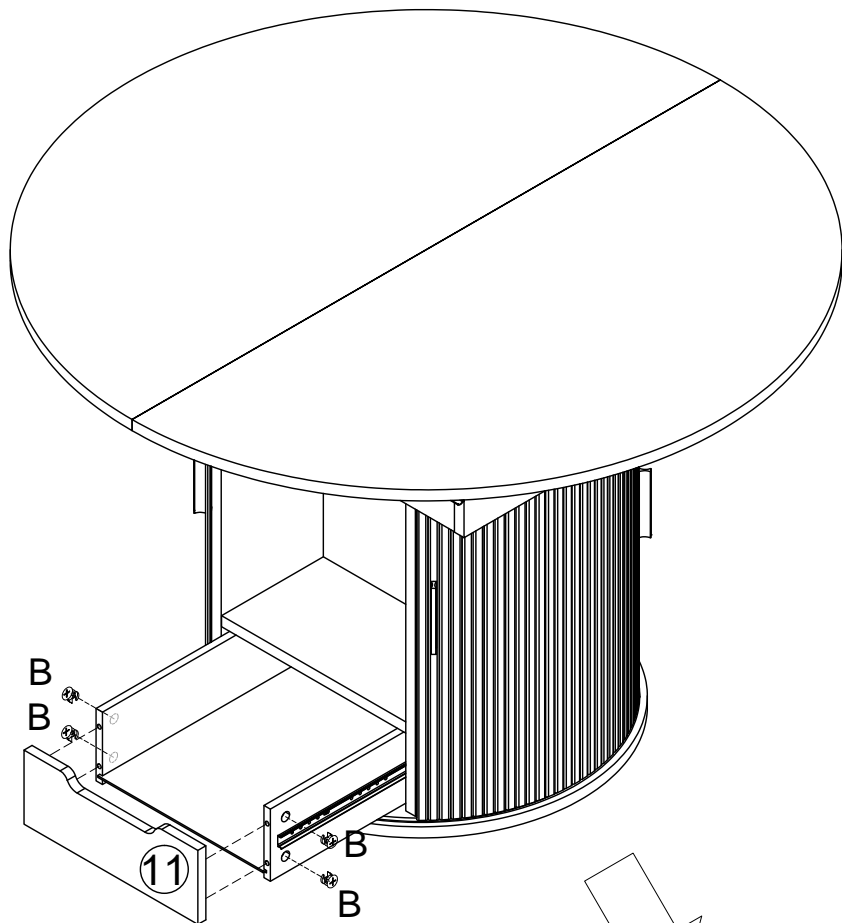


Push the box to the opposite side

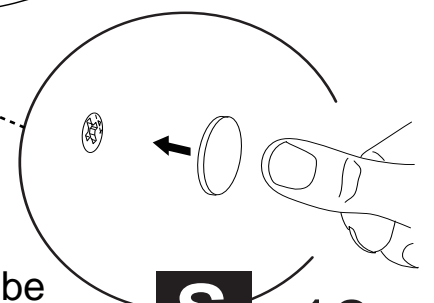
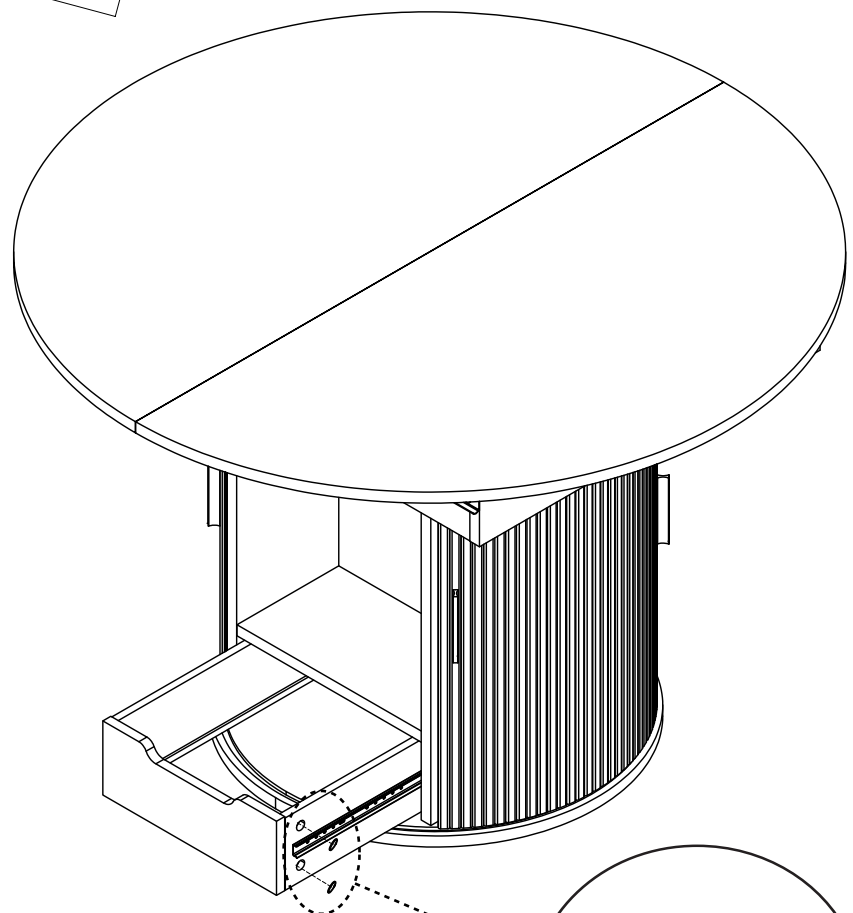
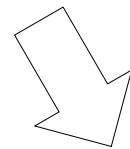


P x 4  
M3.5 x 12





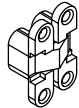



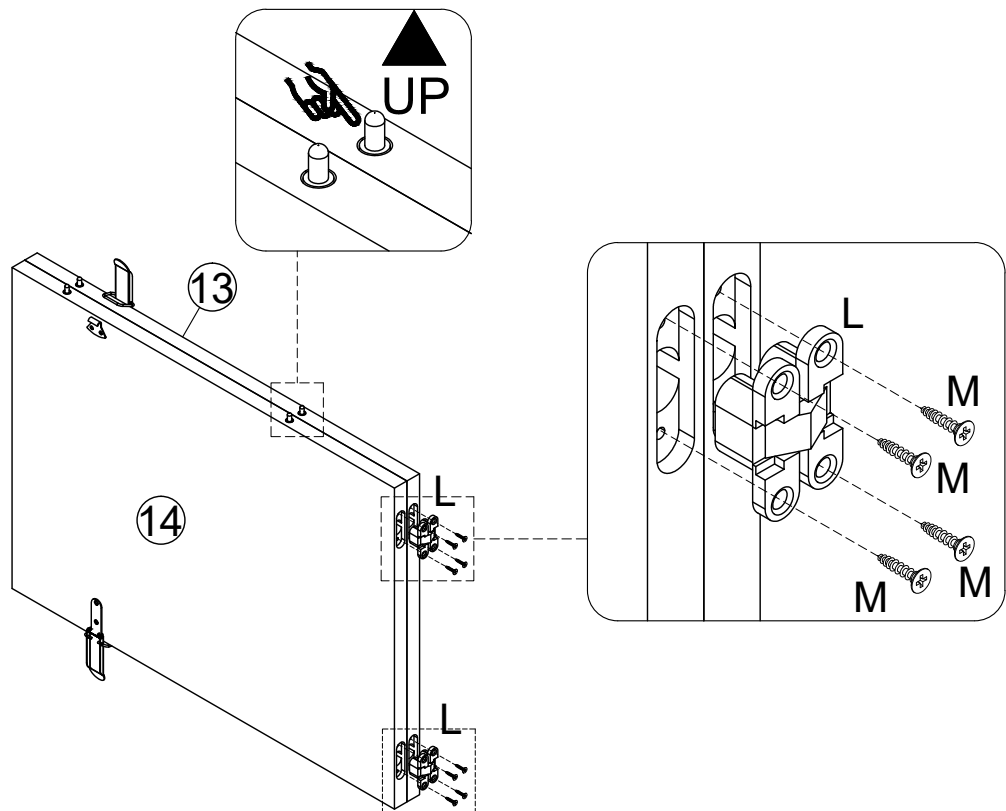
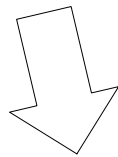
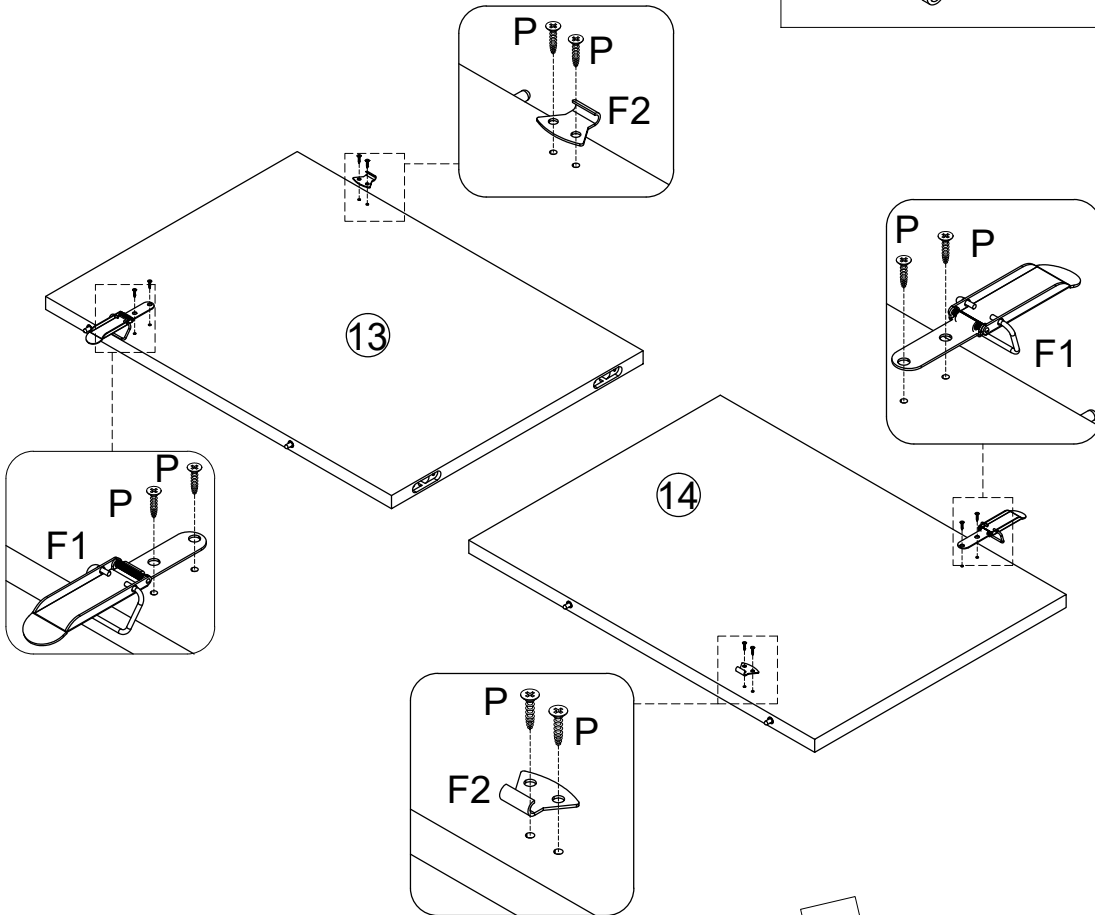
	<b>B</b> ×4
	M15×10
	<b>S</b> ×18
	Ø20

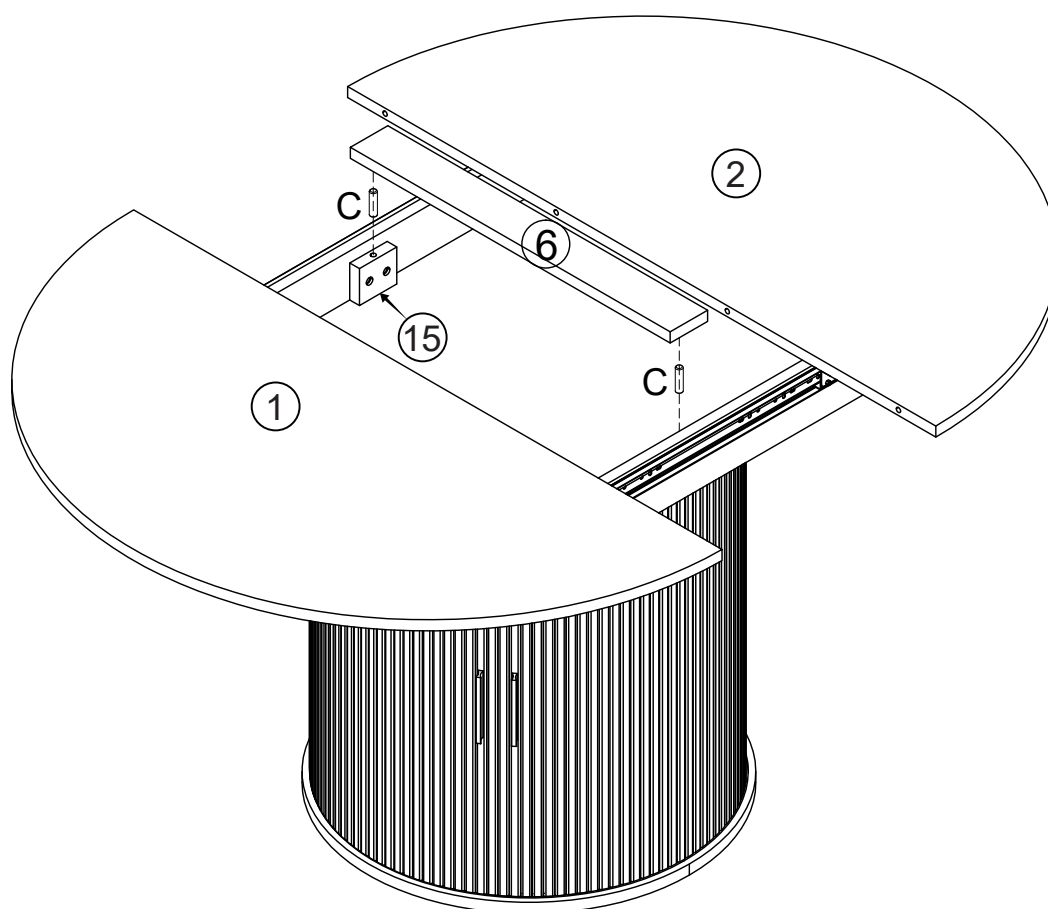
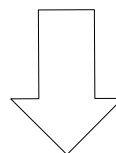
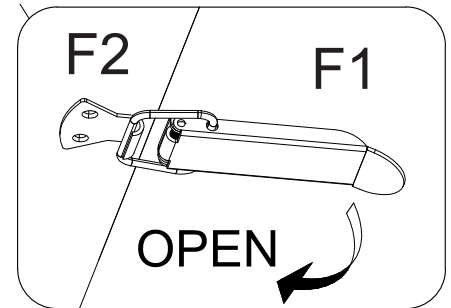
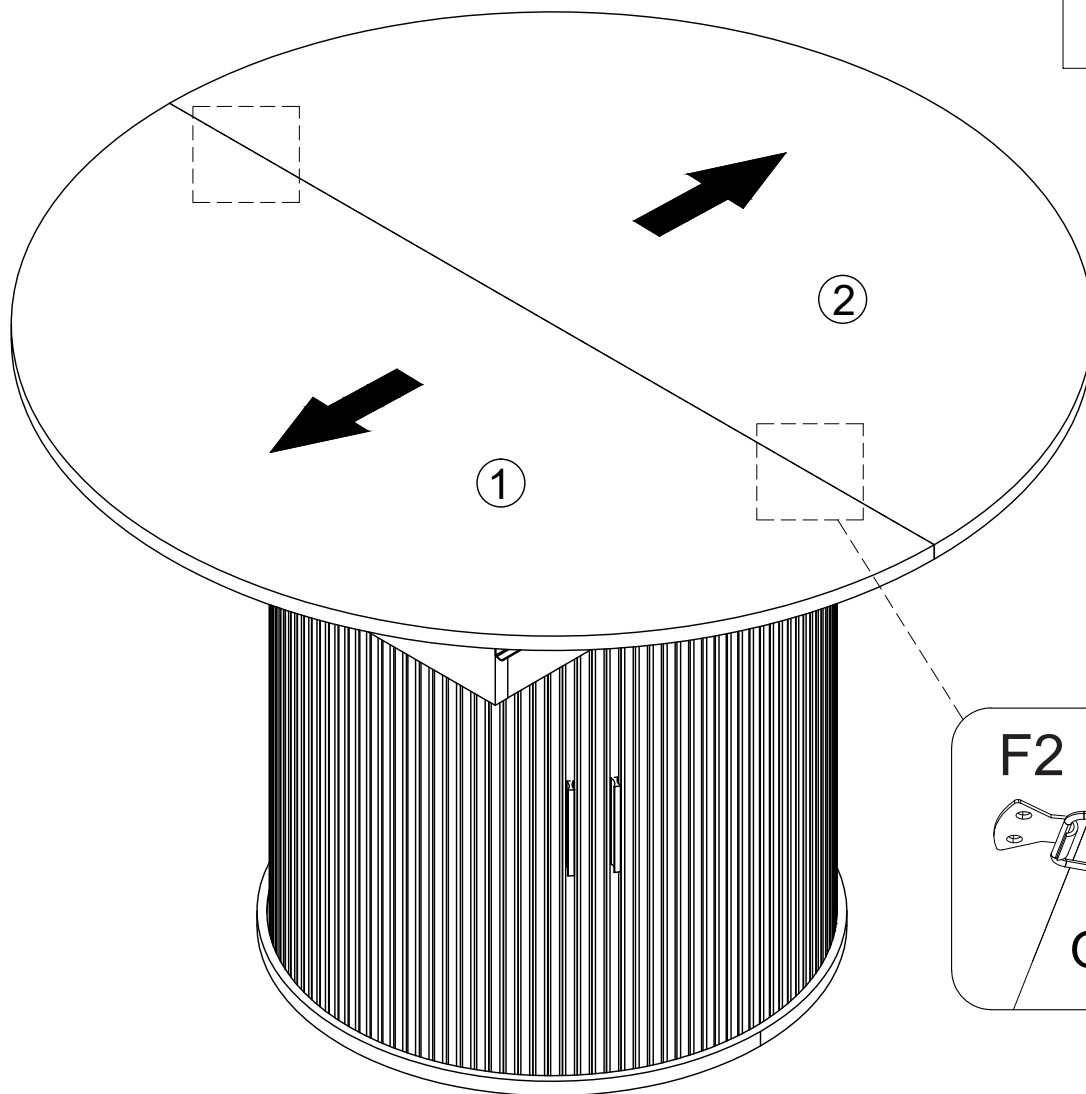
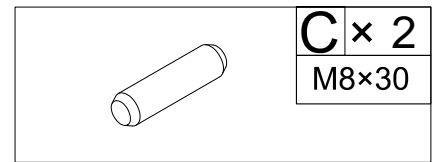


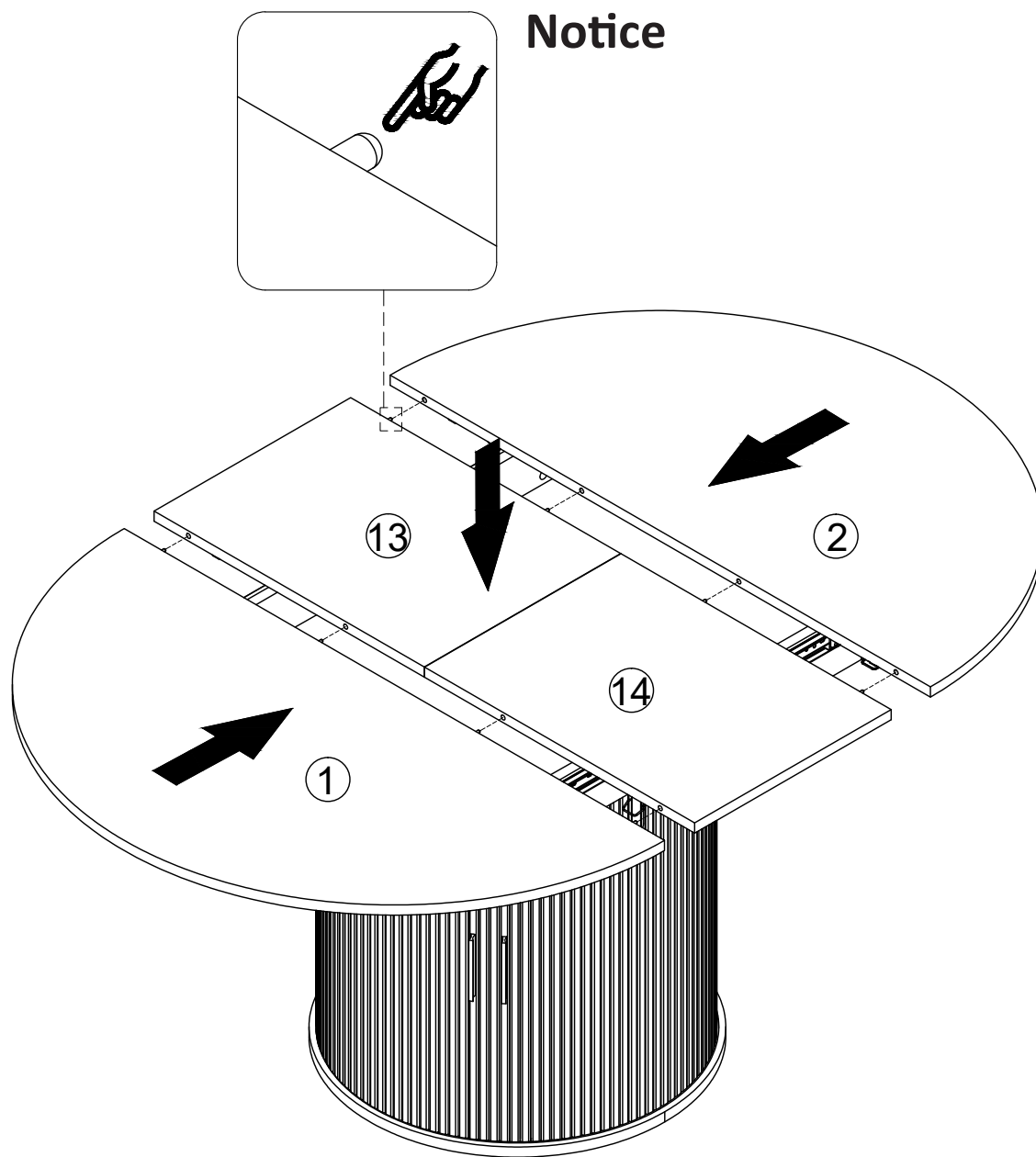
All visible holes need to be covered with hole stickers

**S** ×18

 <p>F1 F2</p>	<p>F x2</p>		<p>P x8 M3.5x12</p>
	<p>L x2</p>		<p>M x8 M3.5x20</p>







Transform styles A and B according to your needs

