

NOTICE

- * Please make sure that you have all parts indicated and they are in good condition before you begin assembly of this item. Refer to part list and hardware list below for guidance.
- * This item should be assembled on a soft surface to prevent scratching the finish during assembly.
- * This item may require periodic tightening.
- * If you are having difficulty, our friendly Customer Care team is always here to help.

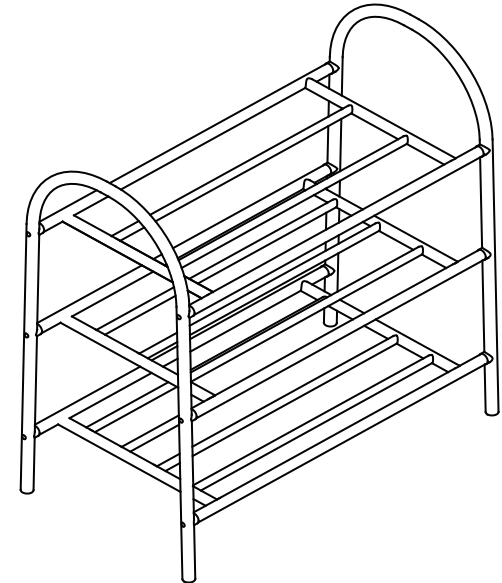
PREPARATION

- * Before beginning assembly of product, make sure all parts are present. Compare parts with part contents list and hardware contents list.
- * If any part is missing or damaged, do not attempt to assemble the product.
- * Estimated Assembly Time: 30 minutes.
- * Tools Required for Assembly Required: Allen Key and Phillips Screwdriver.

CARE AND MAINTENANCE

- * Wipe spills immediately. Maintain with regular dusting and clean with mild soap and water, dry thoroughly and do not use a brass cleaner. Adhesive felt pads should always be used/applied in order to prevent damage to the furniture or surfaces on which the furniture is placed.

Item Dimension:25.59"Wx12.2"Dx23.82"H




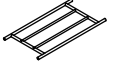

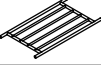




WARNING

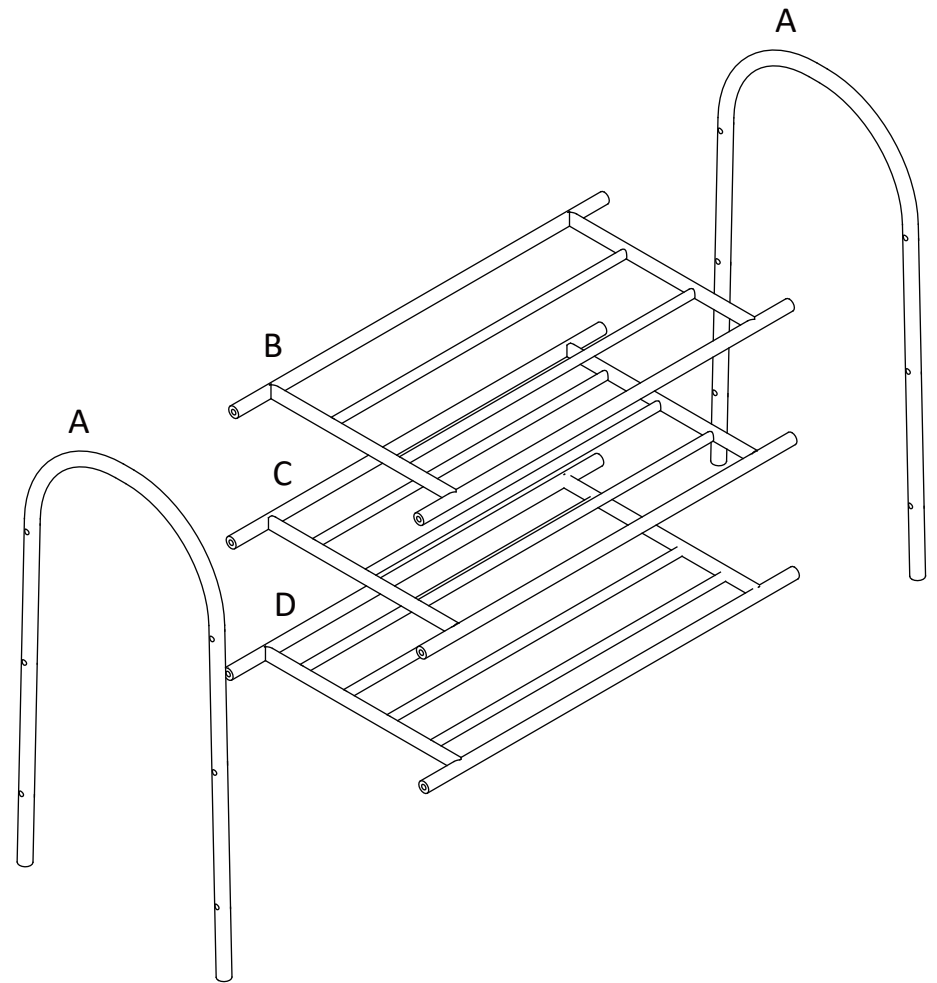
Weight Capacity-20LBS

Warning:Do not stand on Table

Warning:Do not over torque bolts.

Part List and Hardware List

PIECE	DESCRIPTION	PICTURE	QUANTITY
A	Side legs		2X
B	TOP shelf		1X
C	Middle shelf		1X
D	Bottom shelf		1X
HW1	Bolt (6X0.5X35mm)		12X
HW2	Washer		12X
HW3	Allen Key		1X
HW4	Adjuster		4X



PREPARATION

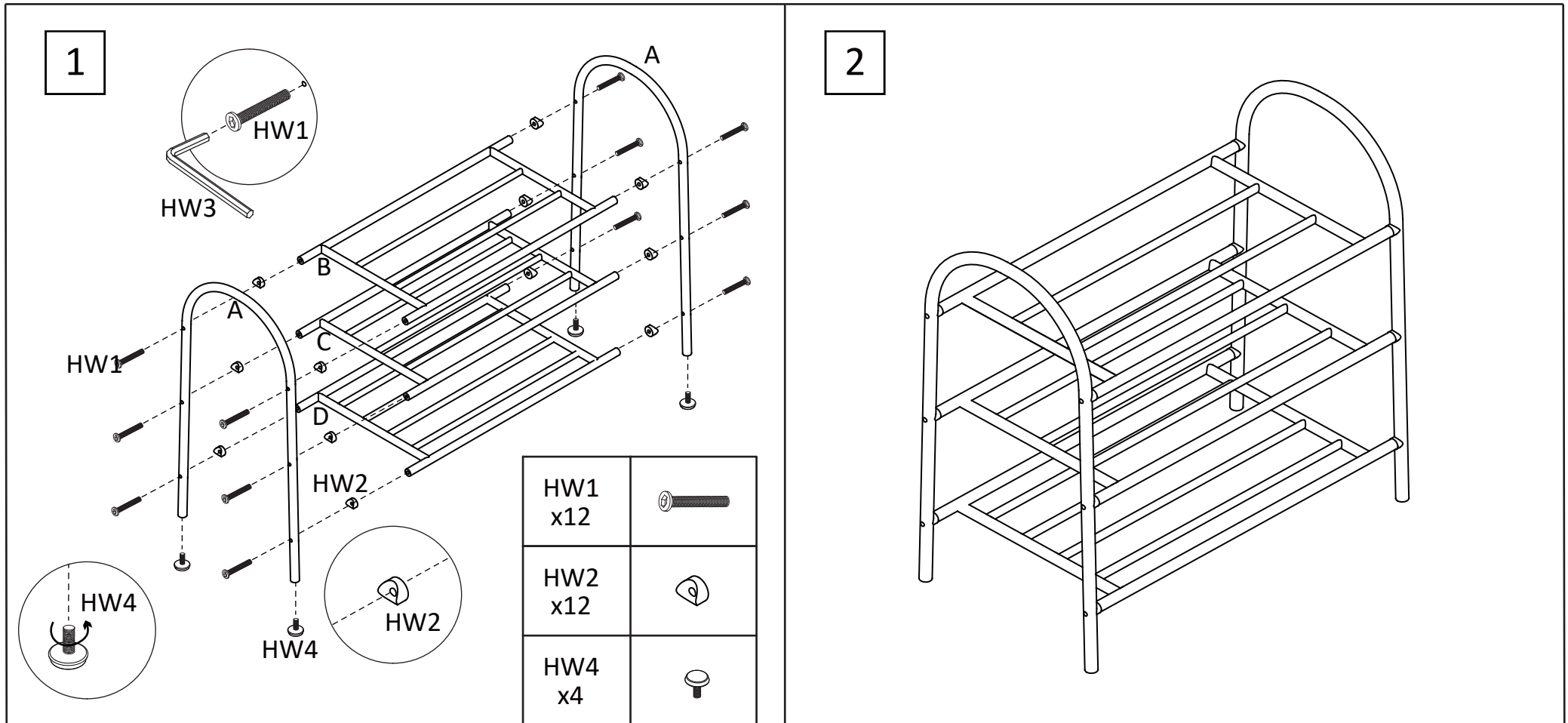
Before beginning assembly of product, make sure all parts are present. Compare parts with package contents list and hardware contents list.

If any part is missing or damaged, do not attempt to assemble the product.

Estimated Assembly Time: 30 minutes.

Tools Required for Assembly : Phillips Screwdriver and Allen Keys. Phillips Screwdriver are not included, Allen Key included.

* If you are having difficulty, our friendly Customer Care team is always here to help.



STEP1:

Attach panels [A] to panels [B], [C] and [D] with 12X washers (HW12) and secure with 12x bolt (HW1). Tighten with a Allenkey. Attach 4x adjuster (HW4) to the ends of the legs [A] as shown.

STEP2:

You're done, enjoy!