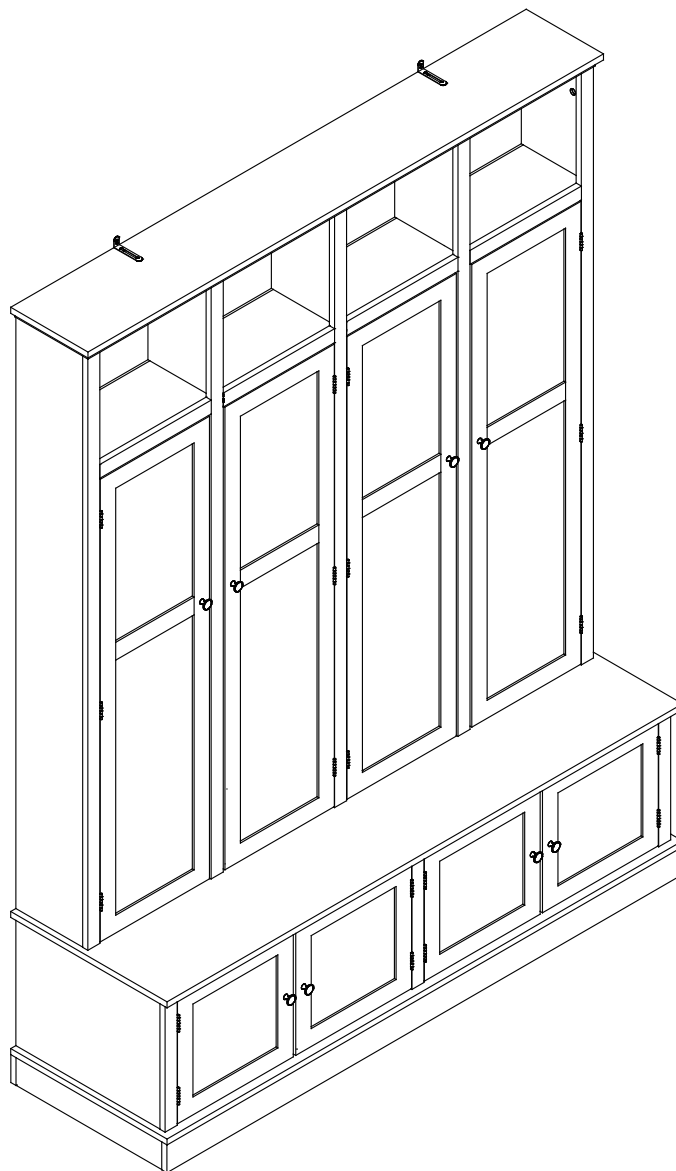


Hall Tree

Assembly Instructions - Please keep for future reference



Dimensions

Width- 59.05inch

Depth-17.91inch

Height-76.7inch



WARNING



This product is NOT a Clothing Storage Unit (CSU).
DO NOT use it for clothing storage.
Improper use may cause furniture tipover.

Important – Please read these instructions fully before starting assembly



Safety and Care Advice

Important – Please read these instructions fully before starting assembly

- Check you have all the components and tools listed on the following pages.
- Remove all fittings from the plastic bags and separate them into their groups.
- Keep children and animals away from the work area, small parts could choke if swallowed.
- Make sure you have enough space to layout the parts before starting.

- During assembly do not stand or put weight on the product, this could cause damage.
- Assemble the item as close to its final position (in the same room) as possible.
- Assemble on a soft level surface to avoid damaging the unit or your floor.
- Parts of the assembly will be easier with 2 people.



power drill is set on a low torque setting.

- To reduce the likelihood of damaging your product please ensure that your

Care and maintenance

- Only clean using a damp cloth and mild detergent, do not use bleach or abrasive cleaners.
- From time to time check that there are no loose screws on this unit.
- This product should not be discarded with household waste. Take to your local authority waste disposal centre.

Handy Hints

- Assemble all parts and bolts loosely during assembly, only once the product is complete should you fully tighten the bolts
- Regularly check and ensure That all bolts and fittings are tightend properly.

WARNING
In order to help prevent overturning – please follow these instructions

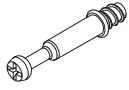


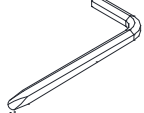
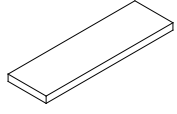
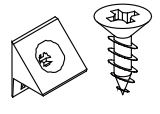
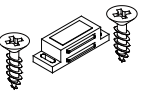
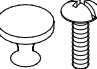


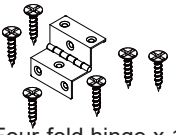

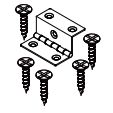

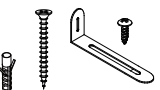

To help prevent product toppling over please follow the below steps:-

- Use the anti tip stap or wall fixing method provided (if applicable)
- Do not allow children to climb or hang on the furniture
- Do not open more than one drawer at a time
- Do not place heavy items in the top drawers
- Do not place heavy items on top of the furniture, unless the furniture has been designed for this purpose

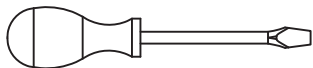
Components - Fittings

Please check you have all the panels listed below

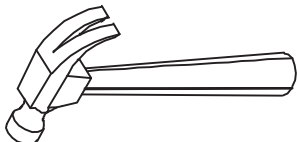
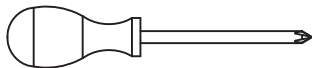
Note: The quantities below are the correct amount to complete the assembly. In some cases more fittings may be supplied than are required.

<p>(A) </p> <p>Cam Bolt x 125+2</p>	<p>(B) </p> <p>6*30mm Dowel x 73+2</p>	<p>(C) </p> <p>Cam lock x 125+2</p>	<p>(D) </p> <p>Allen key x 1</p>
<p>(E) </p> <p>Foot pad x10</p>	<p>(F) </p> <p>3.5*14mm Back panel clip x 30set</p>	<p>(G) </p> <p>x8set</p>	<p>(H) </p> <p>4*18mm round handle x 8set</p>
<p>(I) </p> <p>3*16mm Hook x 4set</p>	<p>(J) </p> <p>4*25mm Screw x 8+1</p>	<p>(K) </p> <p>3*12mm Four-fold hinge x 10set</p>	<p>(L) </p> <p>4*40mm Screw x 20+2</p>
<p>(M) </p> <p>3*12mm three-fold hinge x10set</p>	<p>(N) </p> <p>x 8set</p>	<p>(O) </p> <p>Anti-tipping Device x2</p>	<p>(P) </p> <p>Perfect fit x 50</p>

Tools required Not Included



Phillips screwdriver
(medium & large)



Using Camlocks

Step 1

Connect the male camlock as directed in the assembly instructions using a screwdriver.

1

DO NOT OVER TIGHTEN.
NE PAS SERRER EXCESSIVEMENT.



Step 2

Push the male camlock into the entry hole.

2

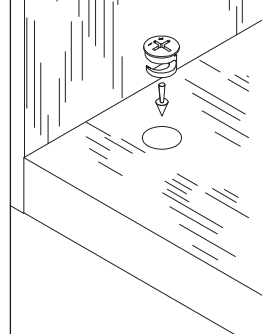


Step 3

Insert the female camlock as shown in the instruction.

Note: ensure that the arrow on the top of the camlock points towards the entry hole for the male camlock.

3



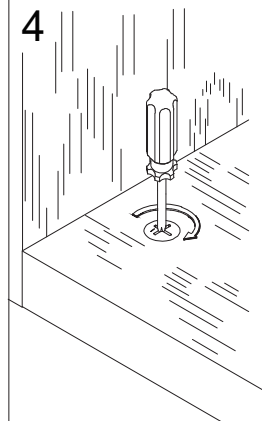
Step 4

Turn the female camlock clockwise with a screwdriver.

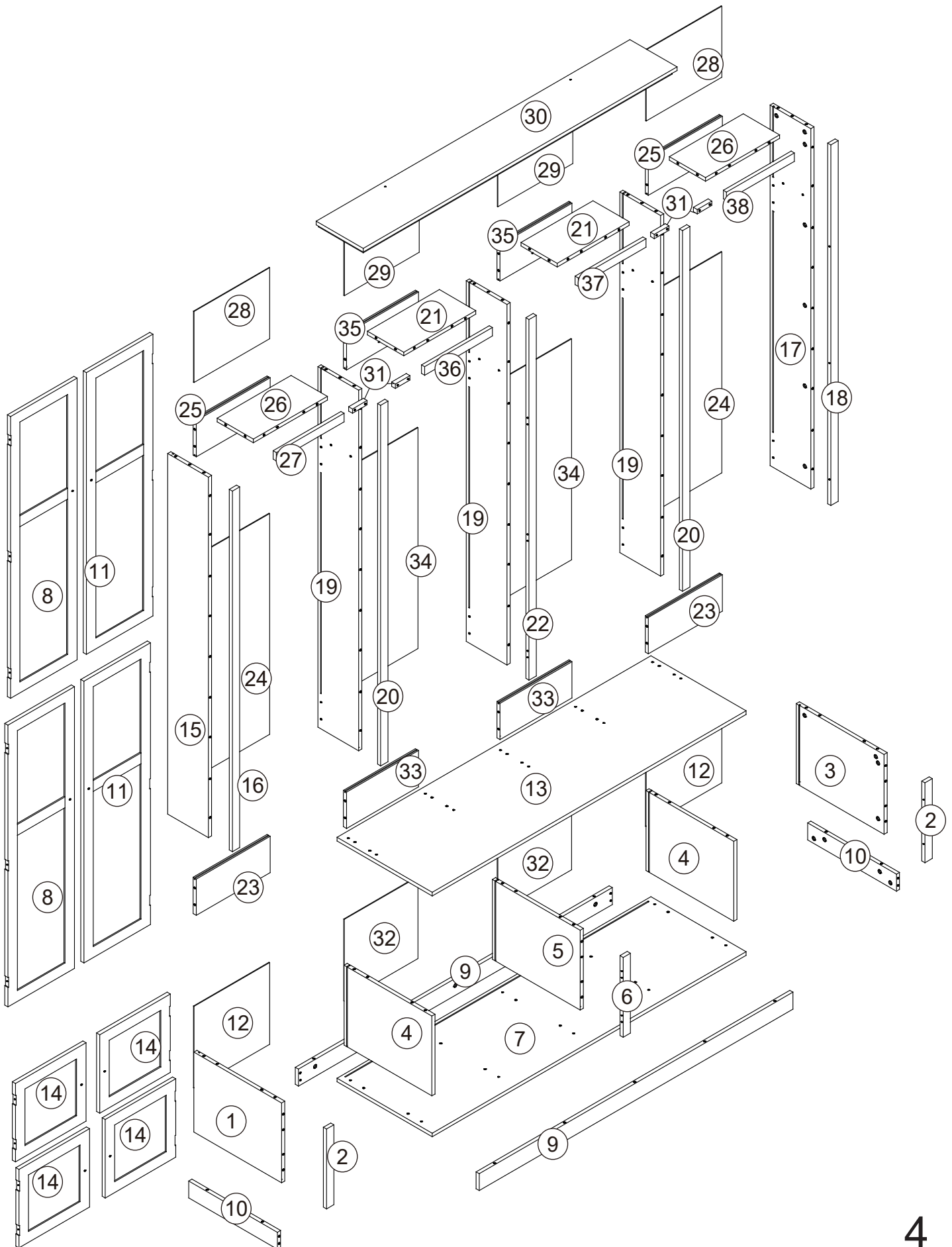
You should feel a click when the camlock is locked in place.

The joint is now secure.

4



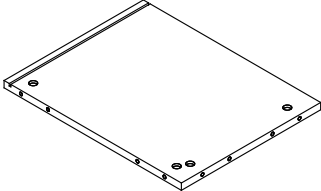
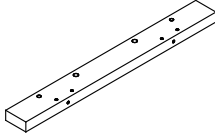
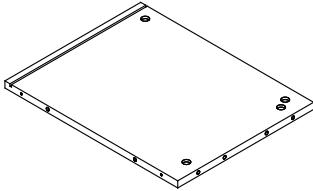
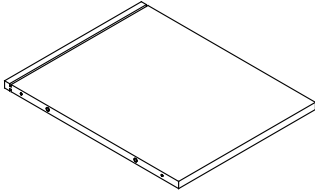
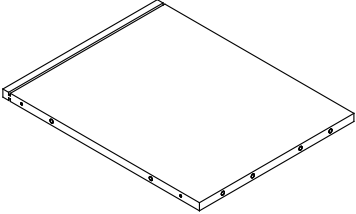
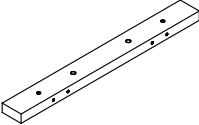
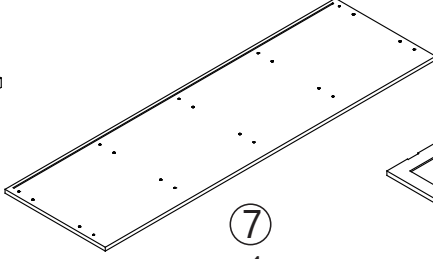
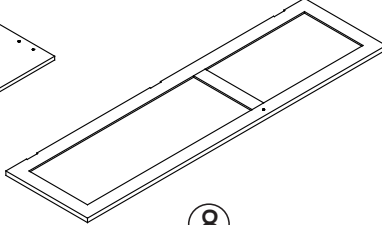
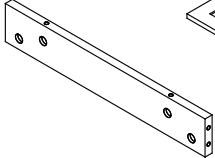
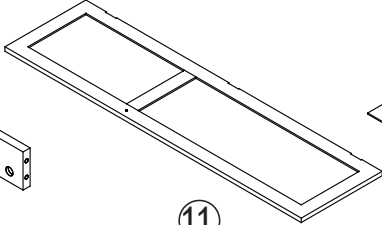
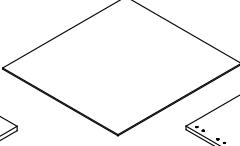
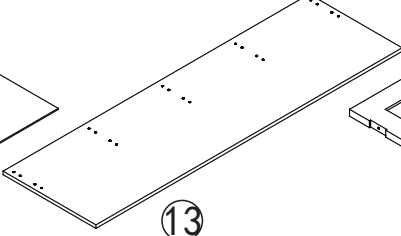
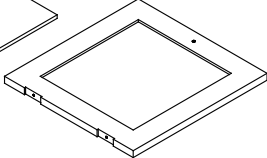
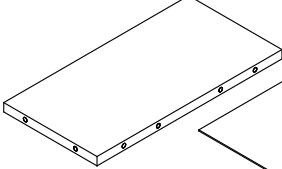
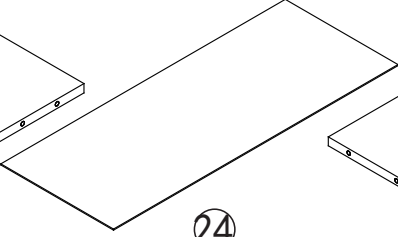
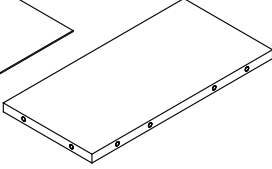
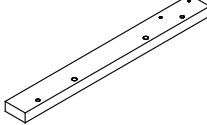
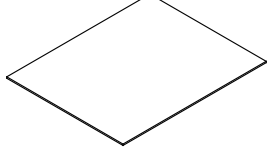
Assembly Instructions



PART LIST

This product comes in 2 box.

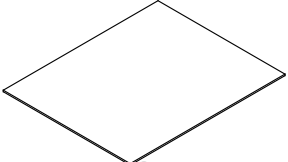
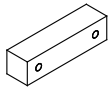
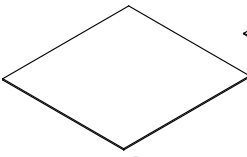
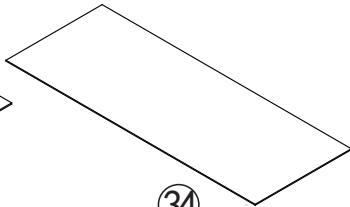
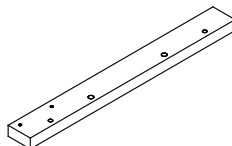
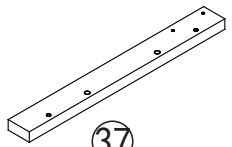
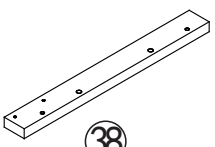

N893P446566

 <p>① x1 330x420x15mm</p>	 <p>② x2 330x35x15mm</p>	 <p>③ x1 330x420x15mm</p>	 <p>④ x2 330x420x15mm</p>	
 <p>⑤ x1 330x420x15mm</p>	 <p>⑥ x1 330x35x15mm</p>	 <p>⑦ x1 1500x455x15mm</p>	 <p>⑧ x2 1164x318x15mm</p>	
 <p>⑩ x2 424x70x15mm</p>	 <p>⑪ x2 1164x318x15mm</p>	 <p>⑫ x2 339x362x3mm</p>	 <p>⑬ x1 1500x455x15mm</p>	 <p>⑭ x4 324x337x15mm</p>
 <p>⑳ x2 344x173x15mm</p>	 <p>㉔ x2 913x362x3mm</p>	 <p>㉖ x2 353x173x15mm</p>	 <p>㉗ x1 324x35x15mm</p>	 <p>㉘ x2 293x362x3mm</p>

PART LIST

This product comes in 2 box.

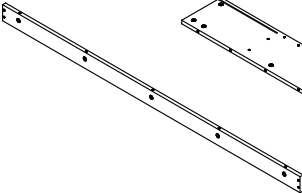
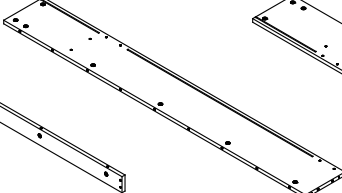
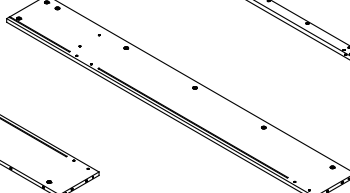
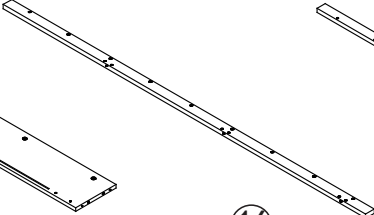
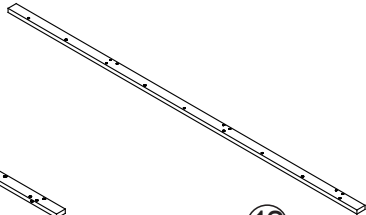
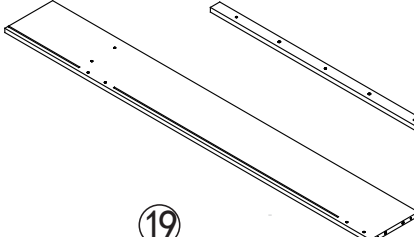
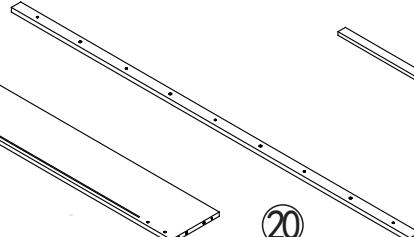
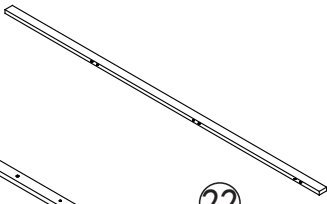
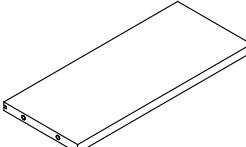
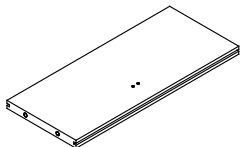
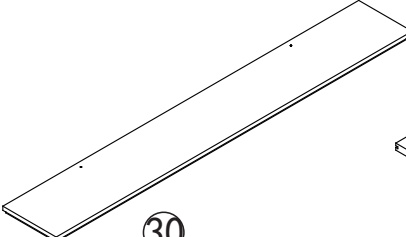
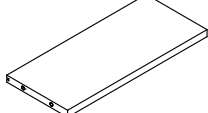
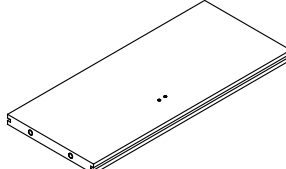
N893P446566

 ②⑨ x2 293x352x3mm	 ③① x4 70x18x18mm	 ③② x2 339x352x3mm	 ③④ x2 913*352*3mm	 ③⑥ x1 324x35x15mm
 ③⑦ x1 324x35x15mm	 ③⑧ x1 324x35x15mm	 Hardware kit x1		

PART LIST

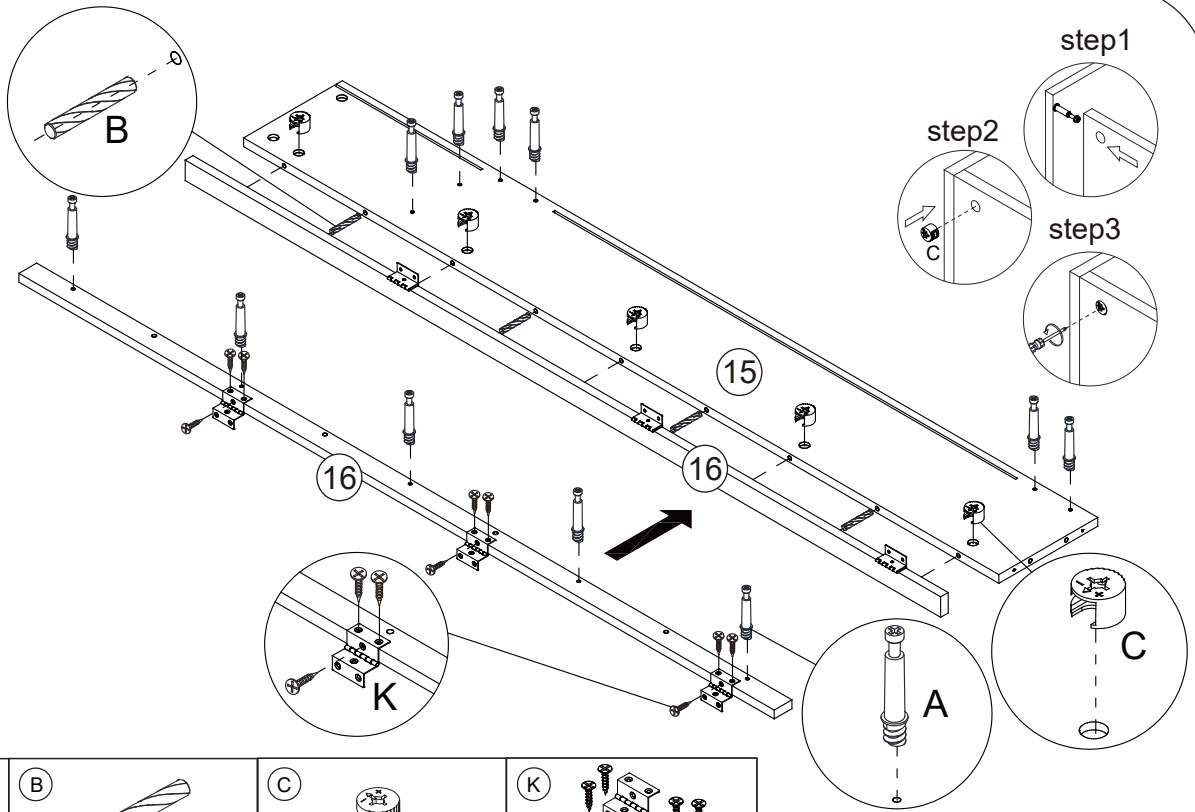
This product comes in 2 box.

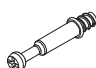



N893P446567

				
⑨ x2 1499x70x15mm	⑮ x1 1490x195x15mm	⑰ x1 1490x195x15mm	⑯ x1 1490x35x15mm	⑱ x1 1490x35x15mm
				
⑲ x3 1490x195x15mm	⑳ x2 1490x35x15mm	㉒ x1 1490x35x15mm	㉓ x2 353x150x15mm	㉕ x2 353x150x15mm
				
⑳ x1 1500x225x15mm	㉓ x2 344x150x15mm	㉕ x2 344x150x15mm		

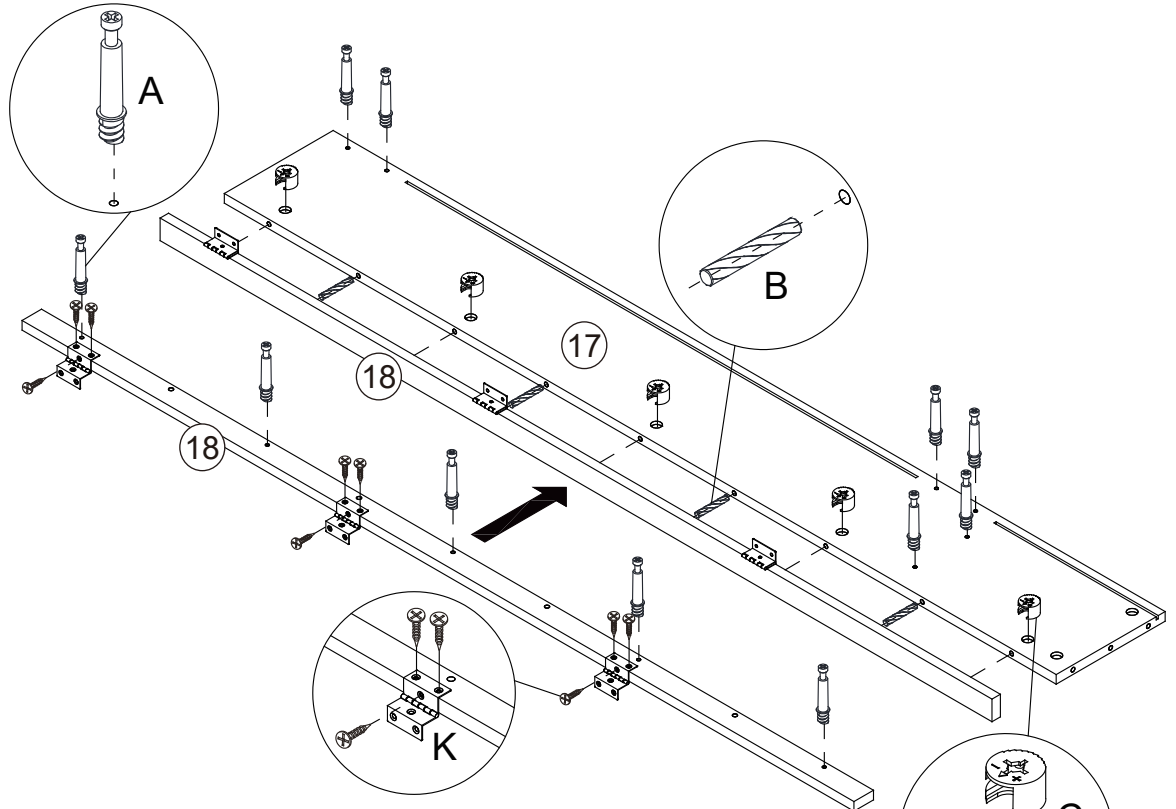
Assembly Instructions

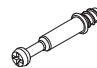


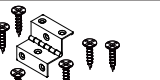
Step 1



<p>(A) </p> <p>Cam Bolt x 11</p>	<p>(B) </p> <p>6*30mm Dowel x 4</p>	<p>(C) </p> <p>Cam lock x 5</p>	<p>(K) </p> <p>3*12mm Four-fold hinge x 3set</p>
---	--	--	--

Step 2

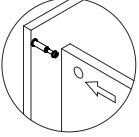


<p>(A) </p> <p>Cam Bolt x 11</p>	<p>(B) </p> <p>6*30mm Dowel x 4</p>	<p>(C) </p> <p>Cam lock x 5</p>	<p>(K) </p> <p>3*12mm Four-fold hinge x 3set</p>
---	--	--	--

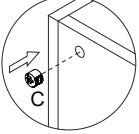
Assembly Instructions

Step 3

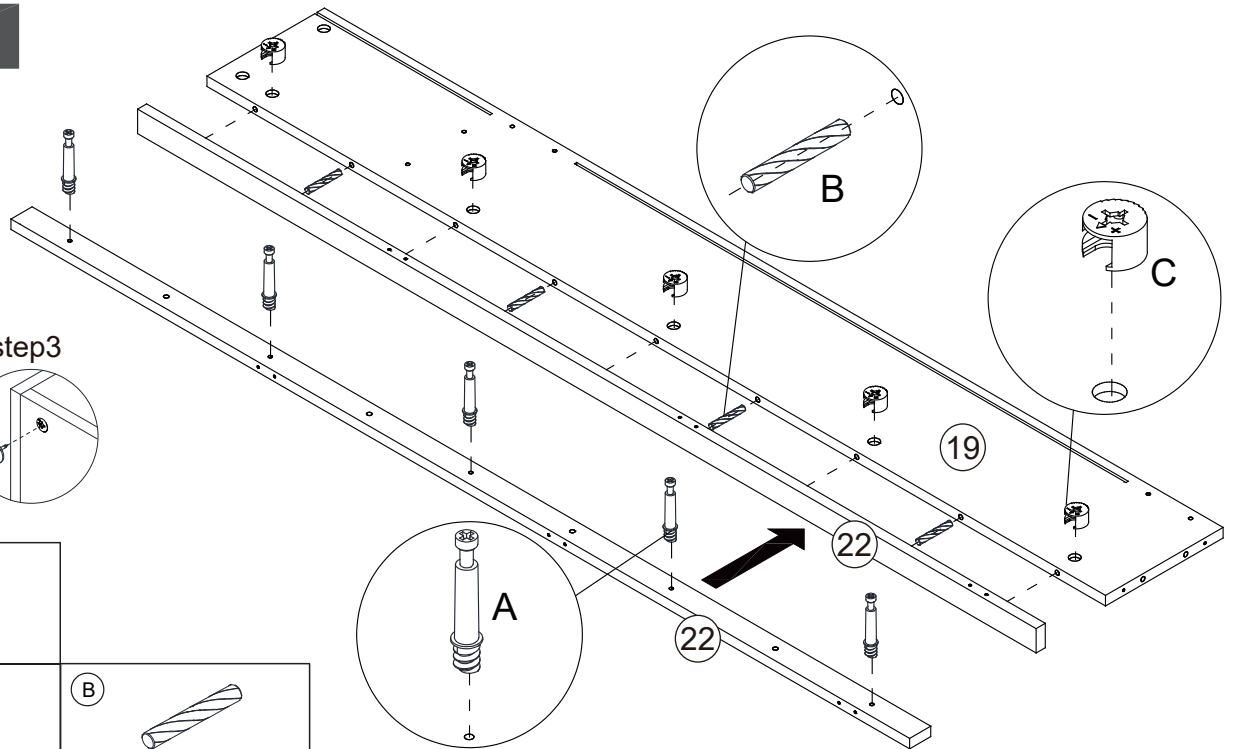
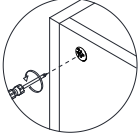
step1



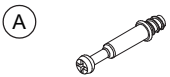
step2



step3



Cam lock x 5

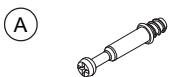
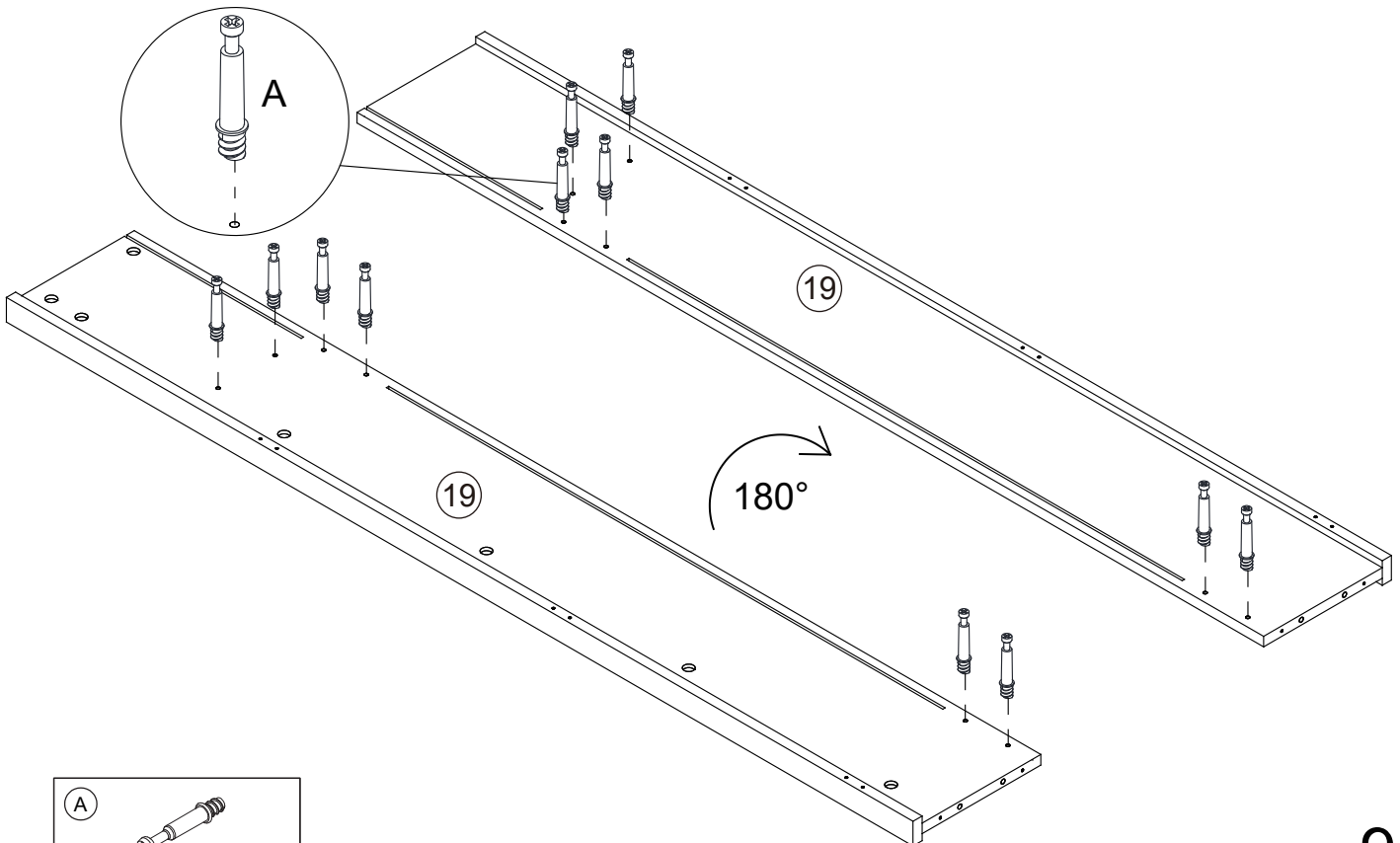


Cam Bolt x 5



6*30mm Dowel x 4

Step 4

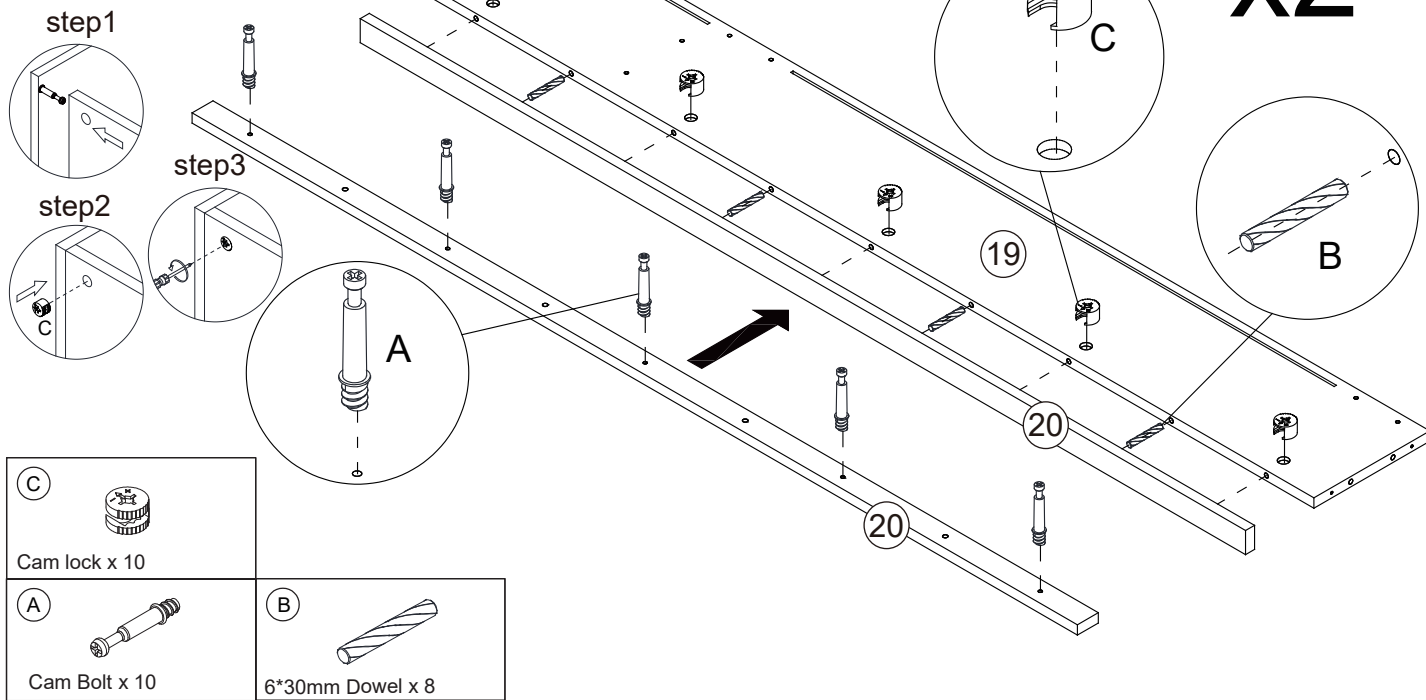


Cam Bolt x 12

Assembly Instructions

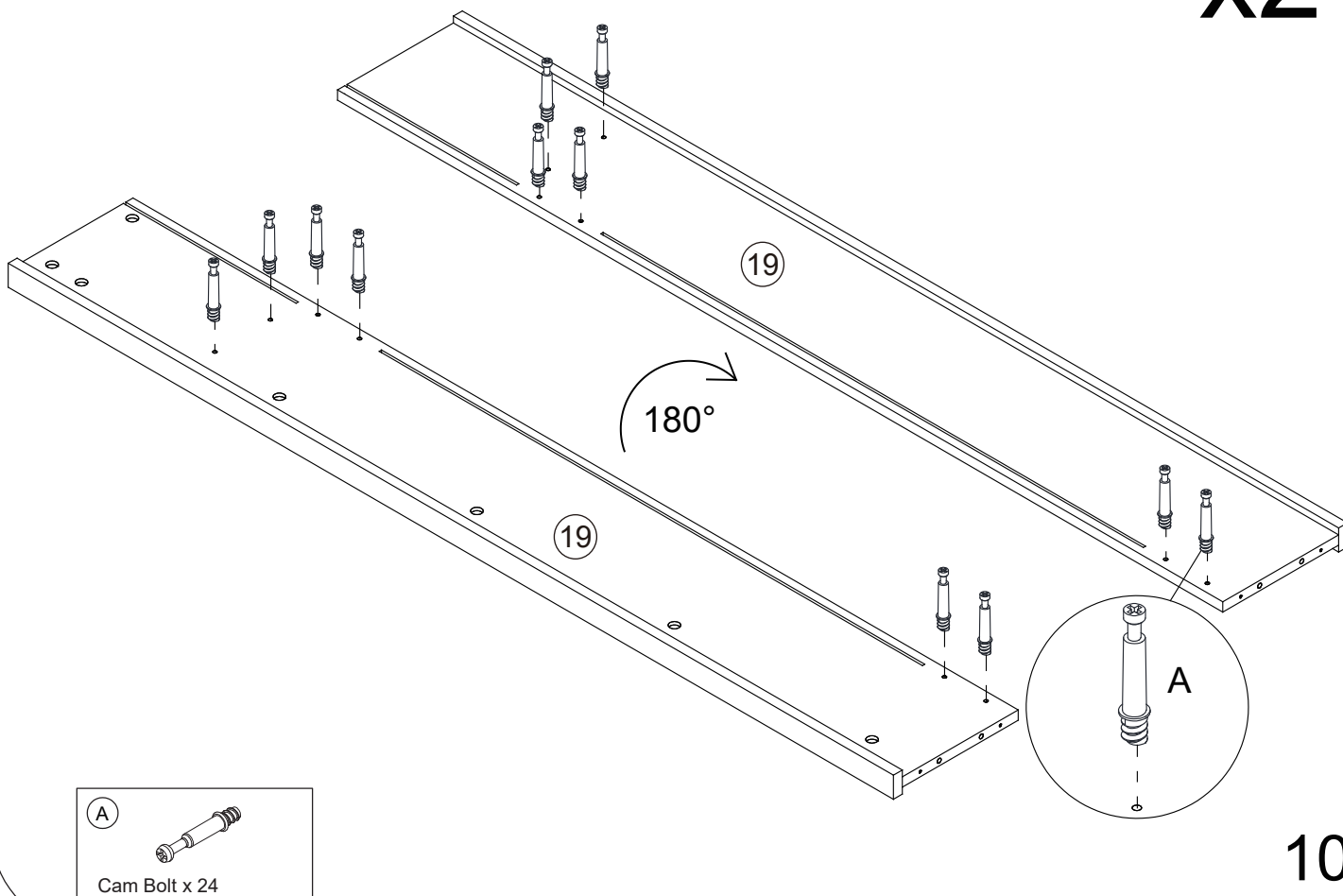
Step 5

x2



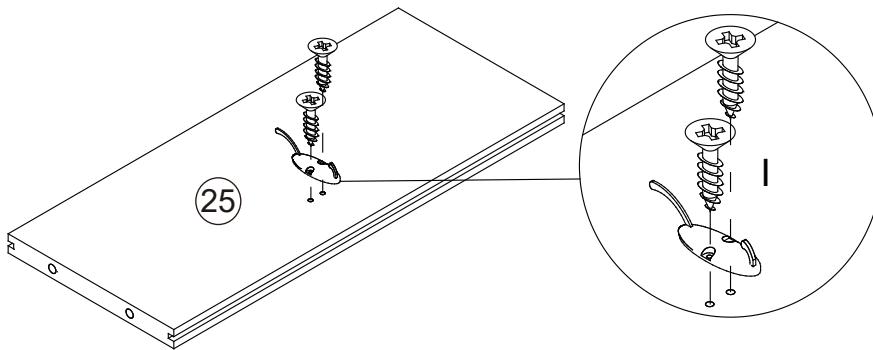
Step 6

x2

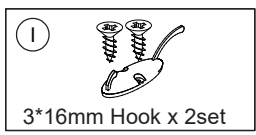


Assembly Instructions

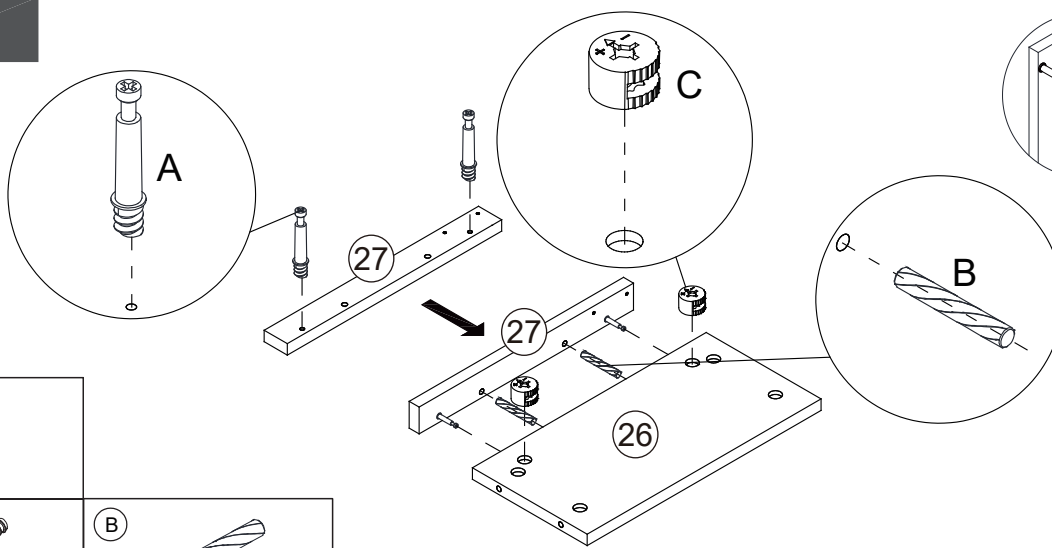
Step 7



x2



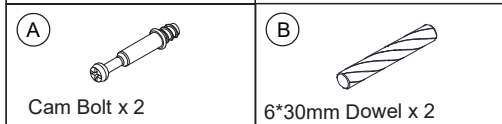
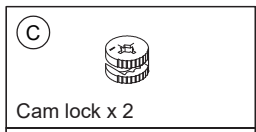
Step 8



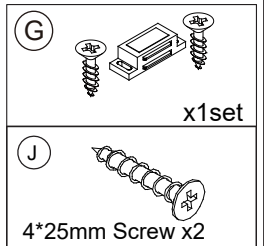
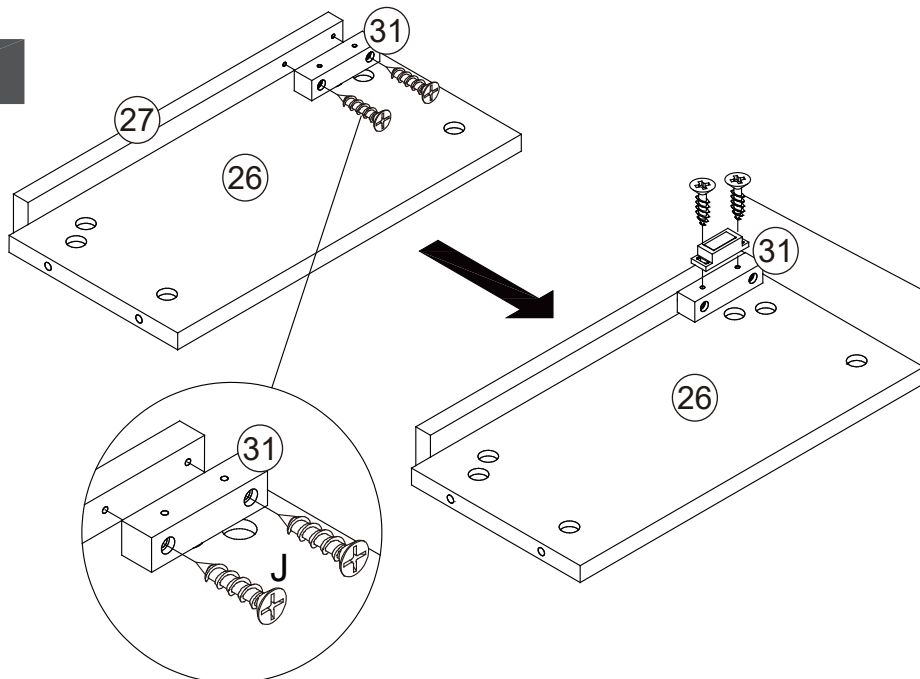
step1

step2

step3

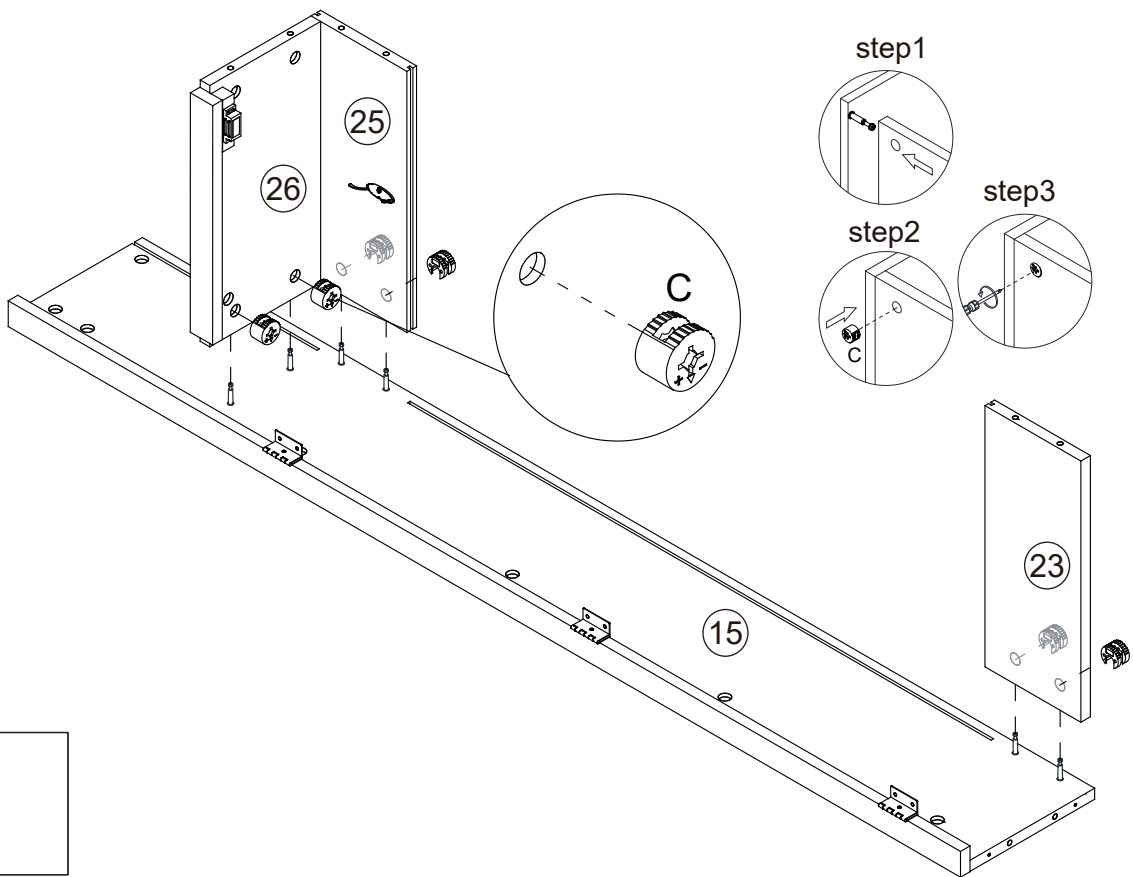


Step 9



Assembly Instructions

Step 10

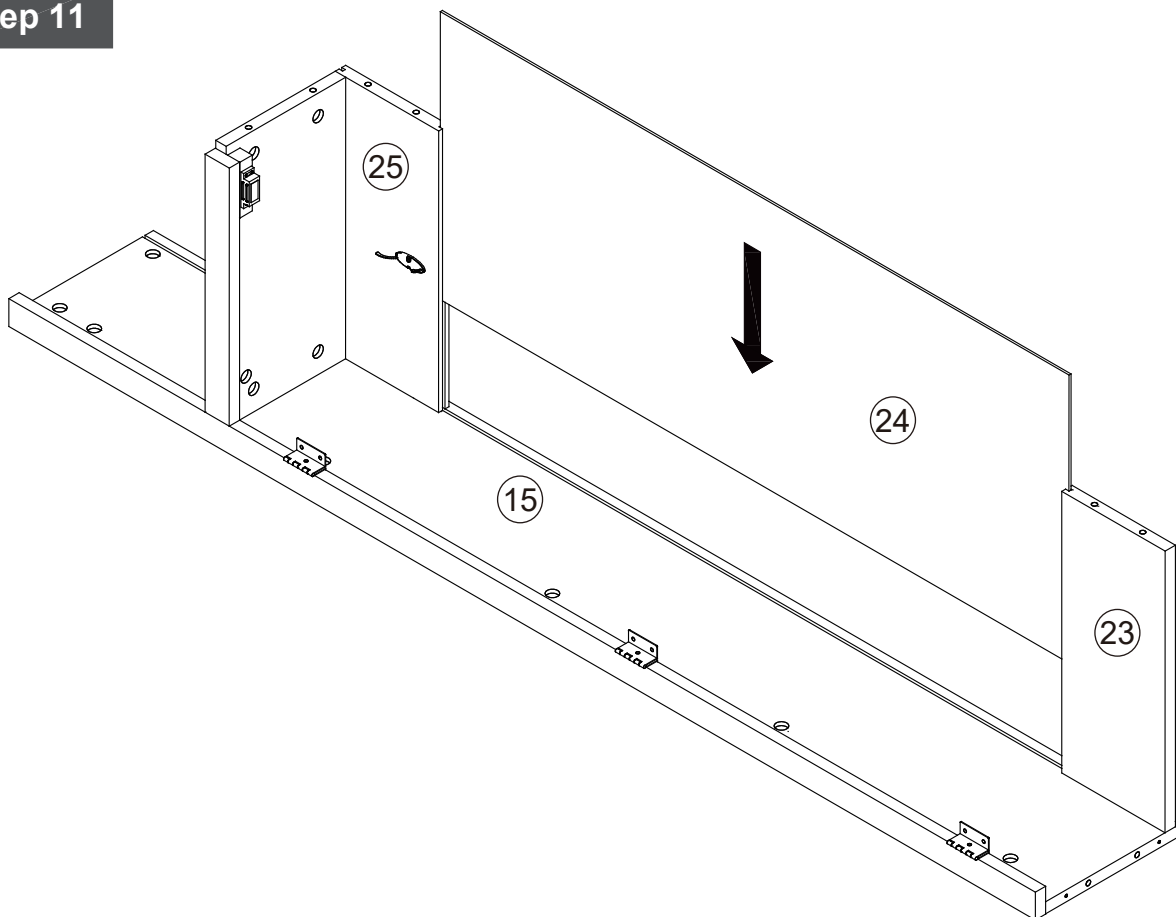


C



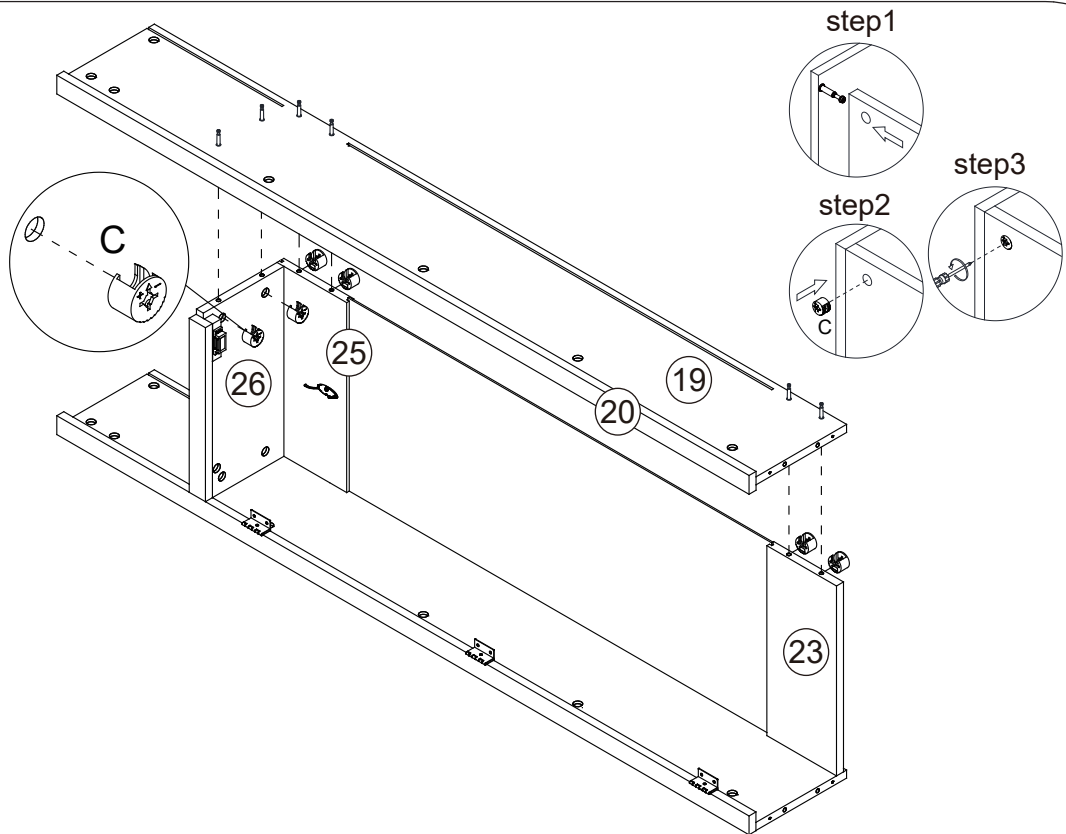
Cam lock x 6

Step 11



Assembly Instructions

Step 12

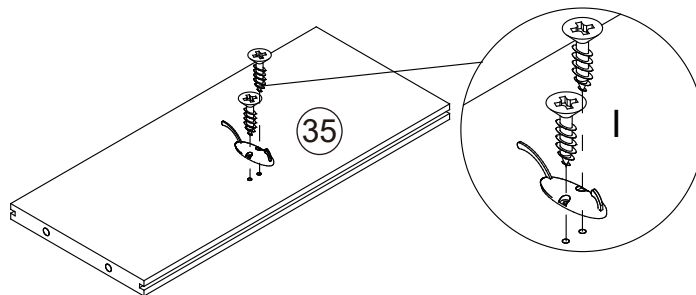


C



Cam lock x 6

Step 13



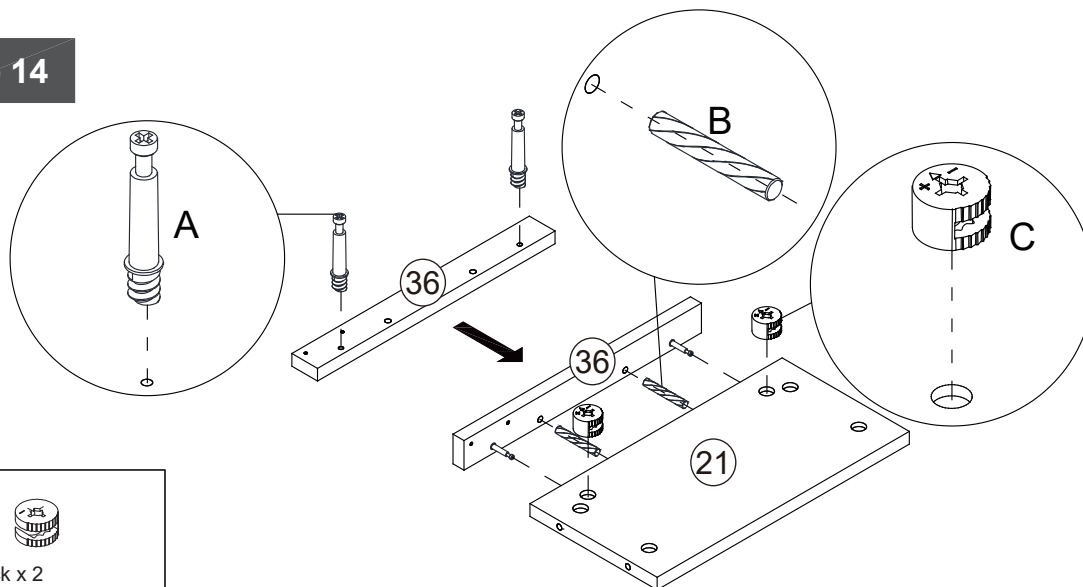
x2

I



3*16mm Hook x 2set

Step 14

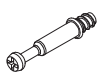


C



Cam lock x 2

A



Cam Bolt x 2

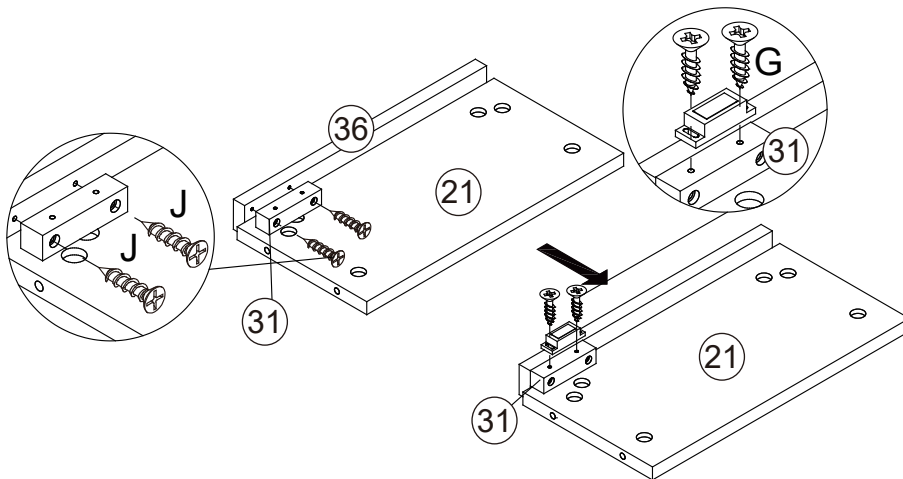
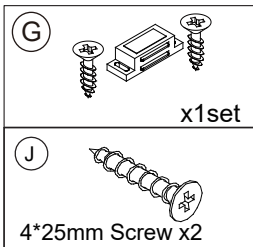
B



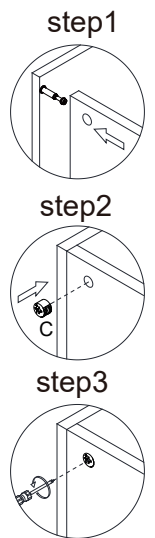
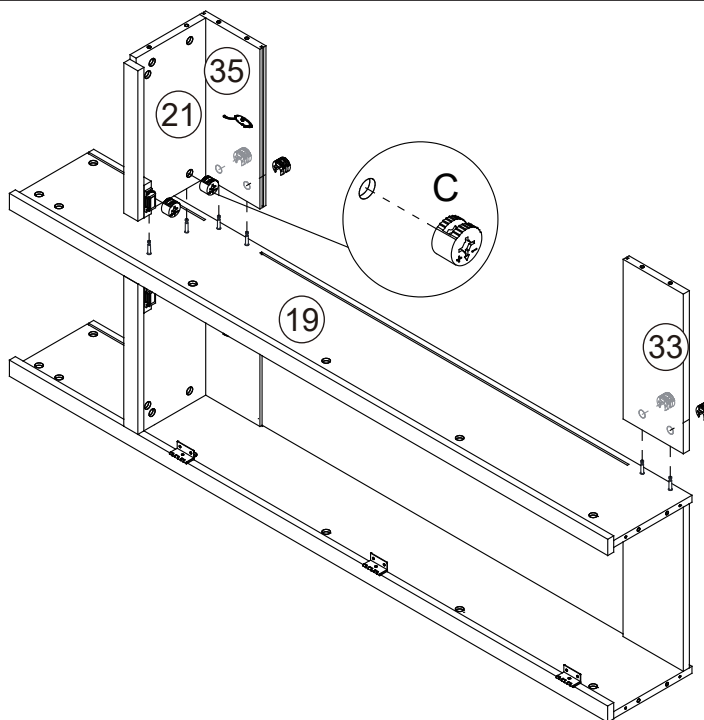
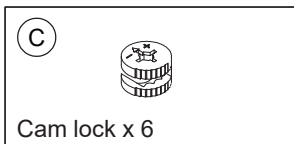
6*30mm Dowel x 2

Assembly Instructions

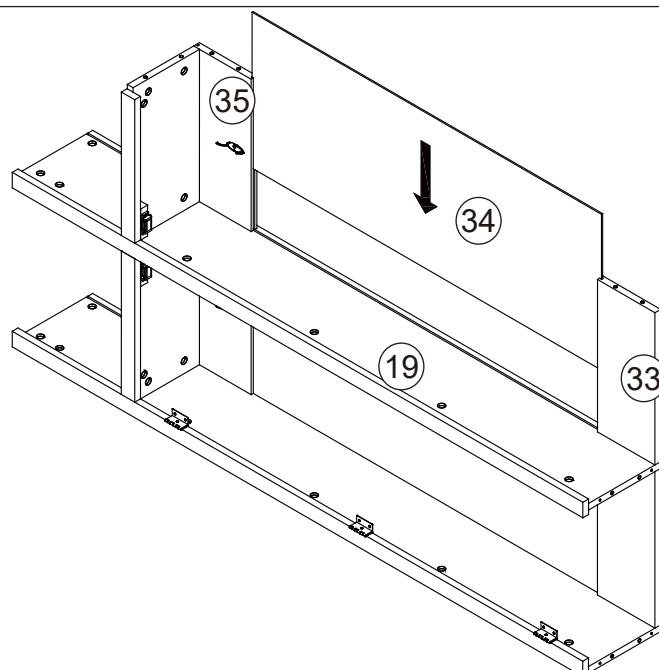
Step 15



Step 16

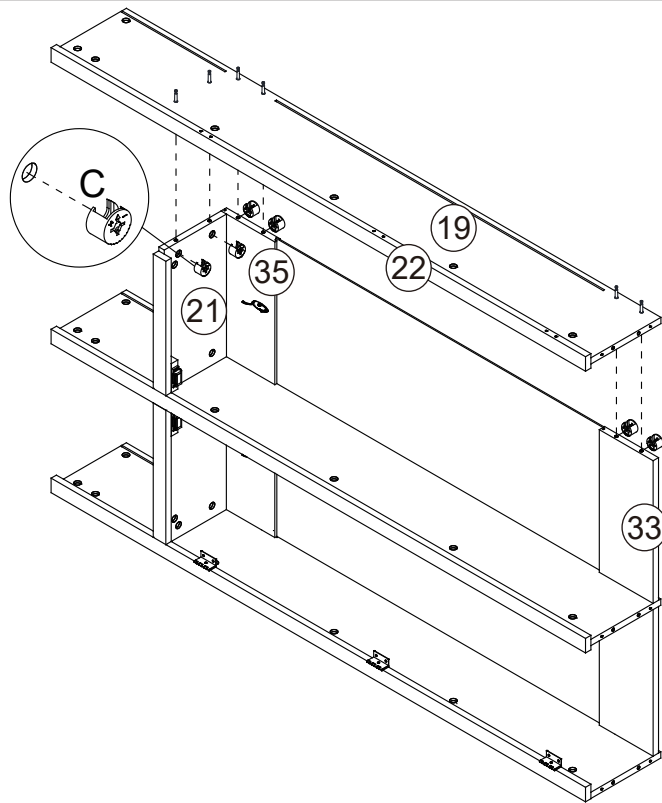


Step 17

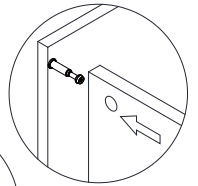


Assembly Instructions

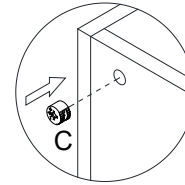
Step 18



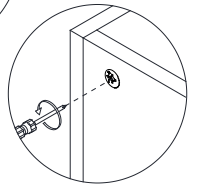
step1



step2



step3

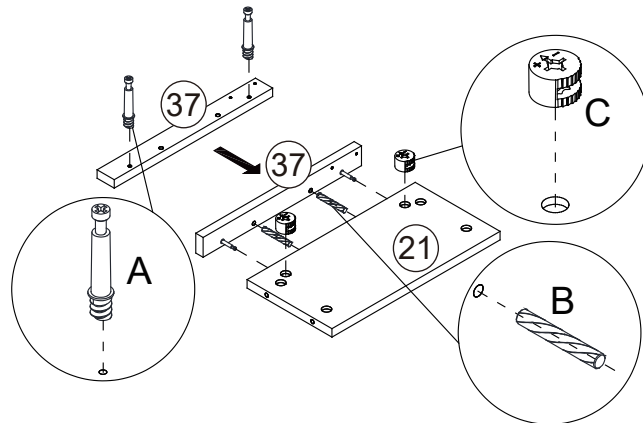


C



Cam lock x 6

Step 19



C



Cam lock x 2

A



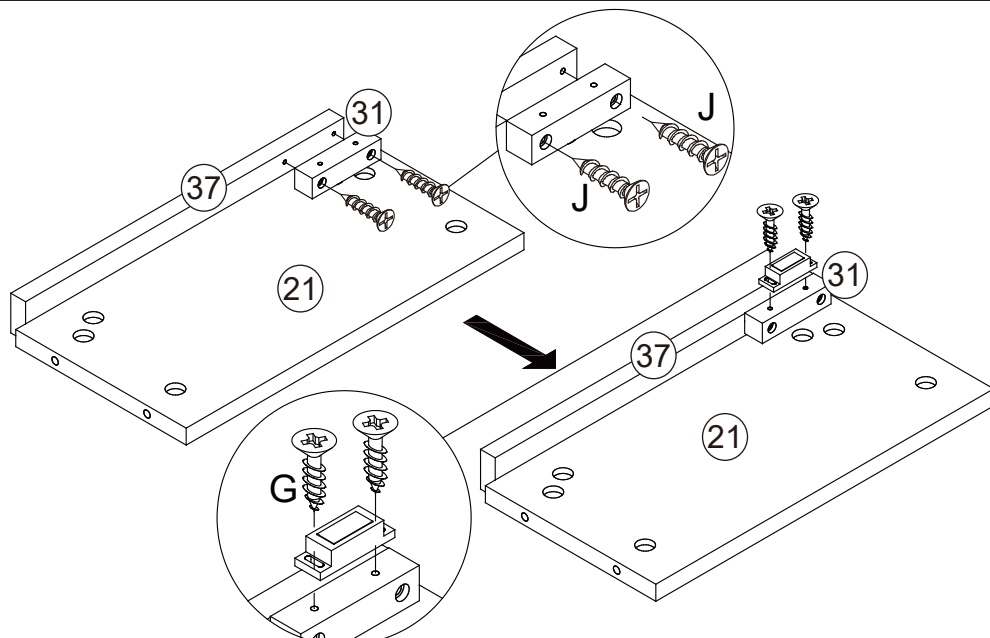
Cam Bolt x 2

B

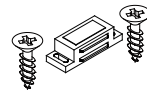


6*30mm Dowel x 2

Step 20

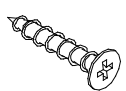


G



x1set

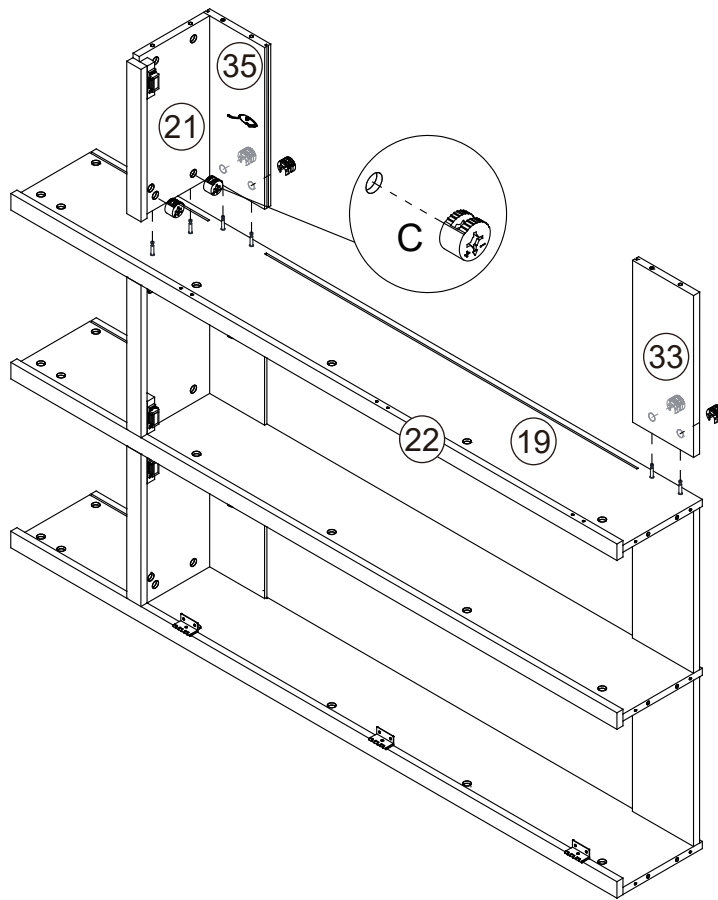
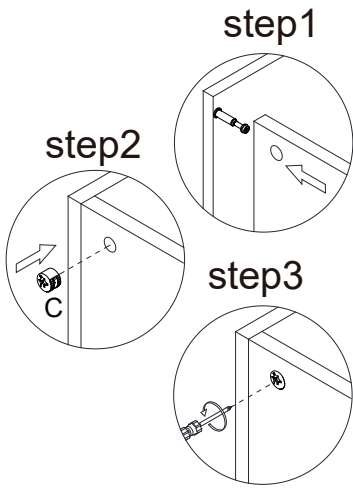
J



4*25mm Screw x2

Assembly Instructions

Step 21

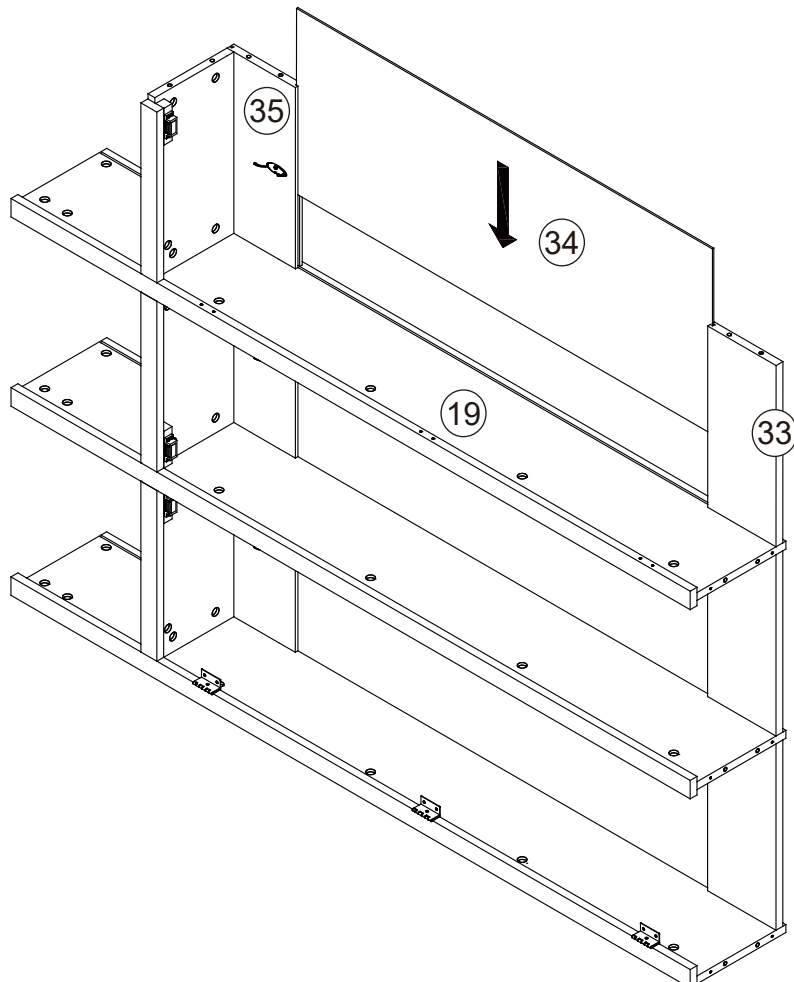


C



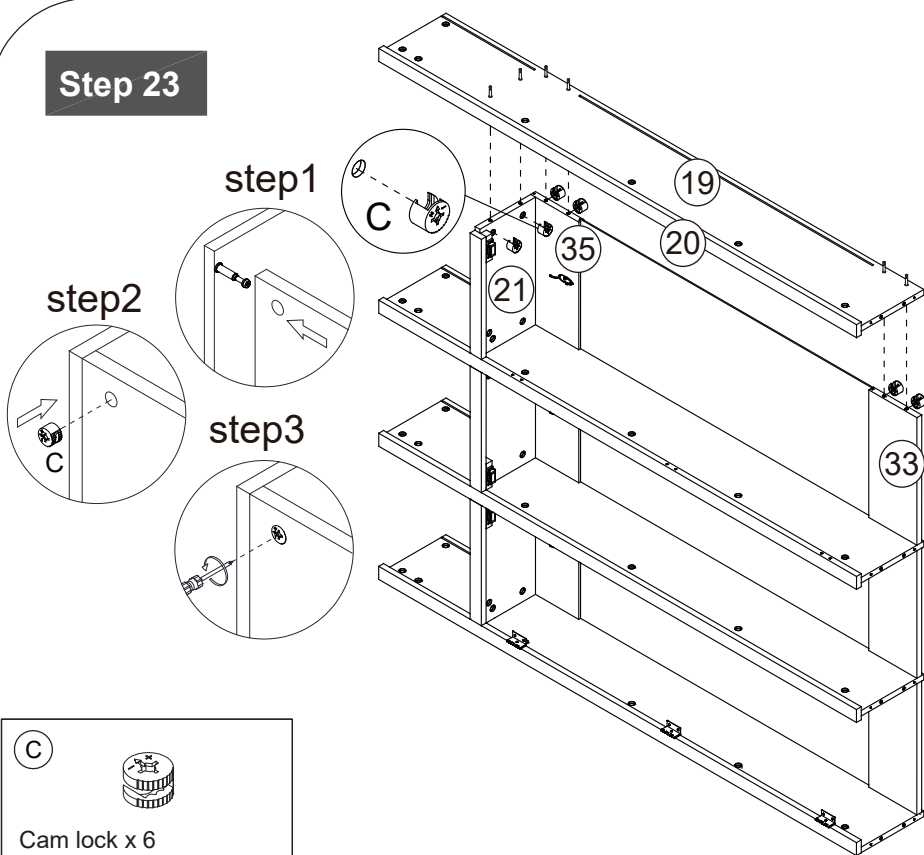
Cam lock x 6

Step 22

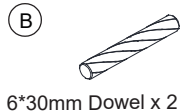
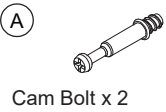
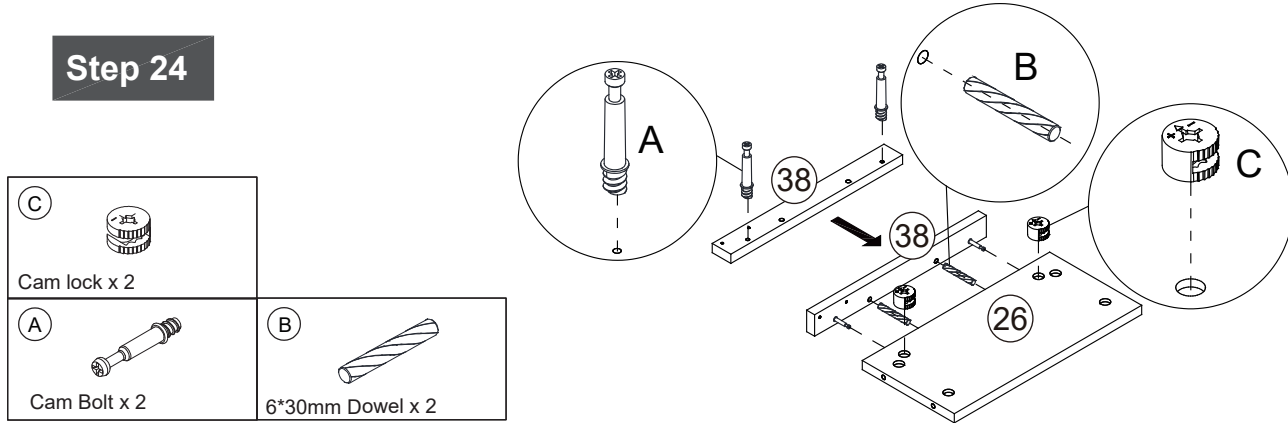


Assembly Instructions

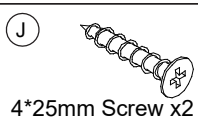
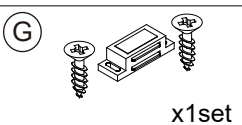
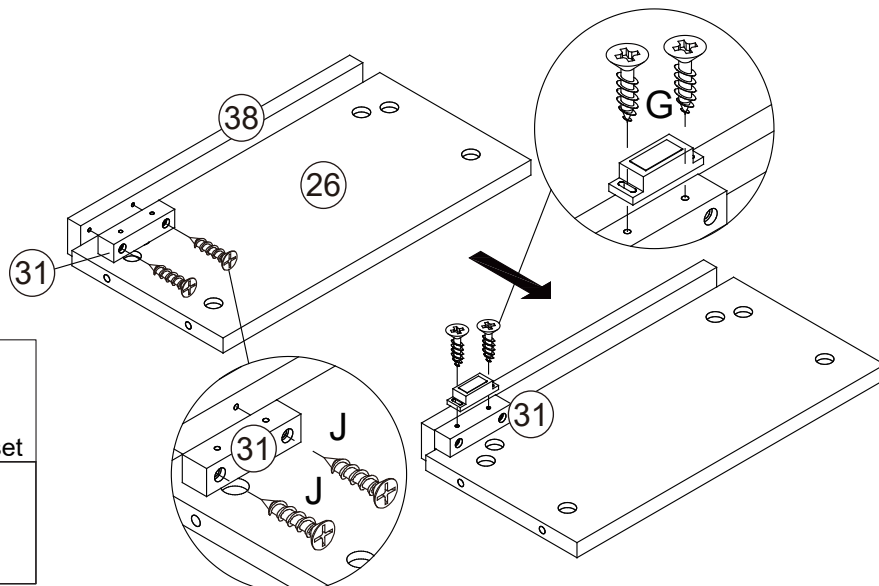
Step 23



Step 24

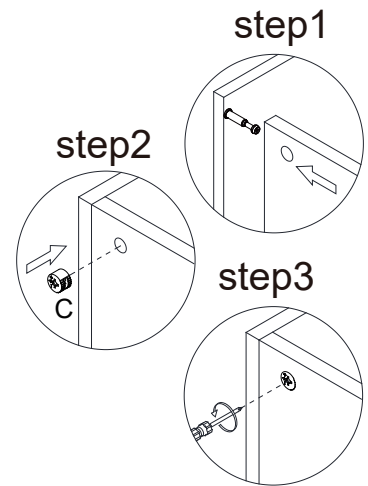
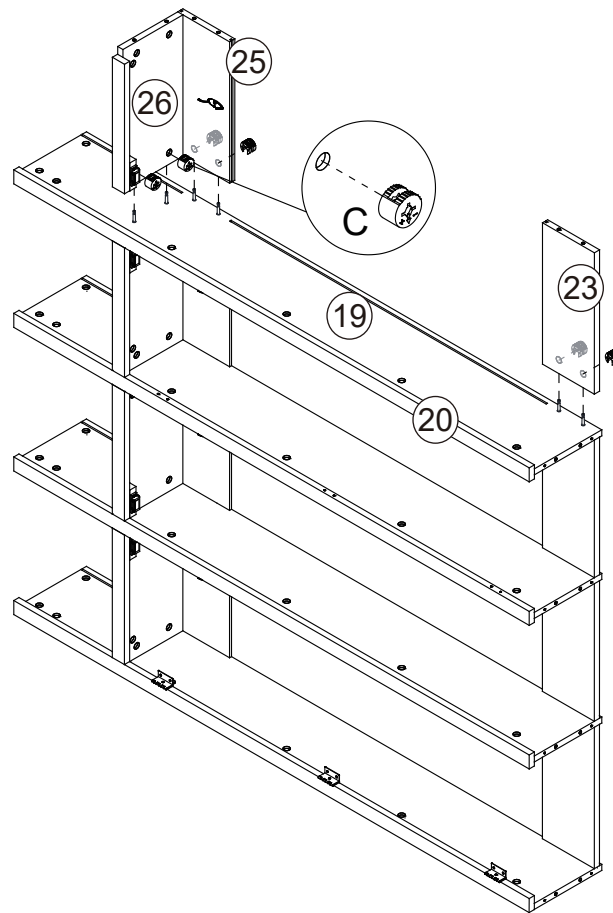


Step 25



Assembly Instructions

Step 26

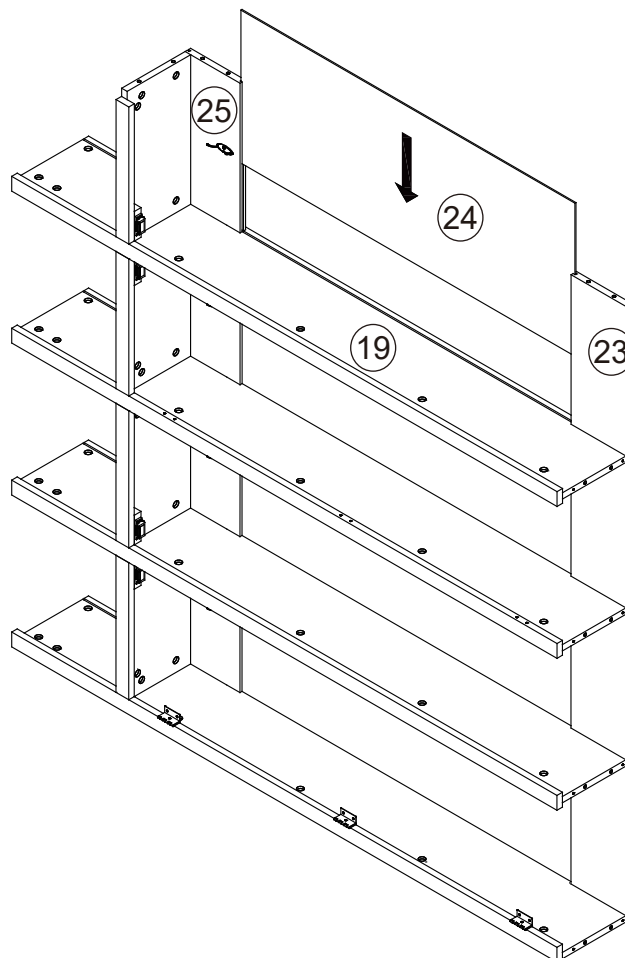


C



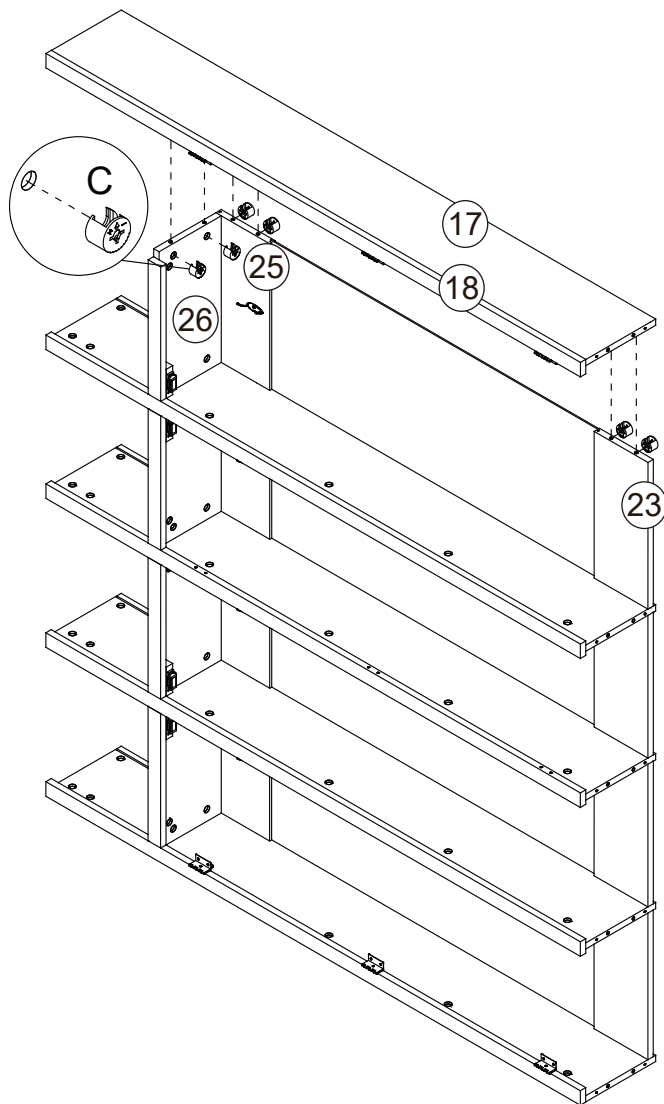
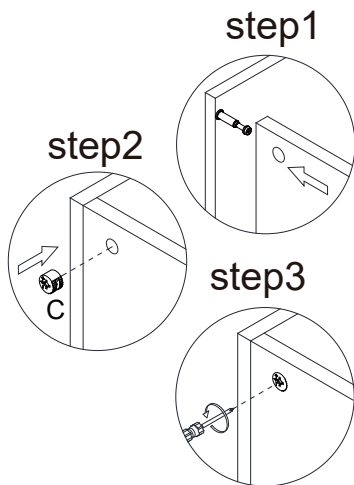
Cam lock x 6

Step 27



Assembly Instructions

Step 28

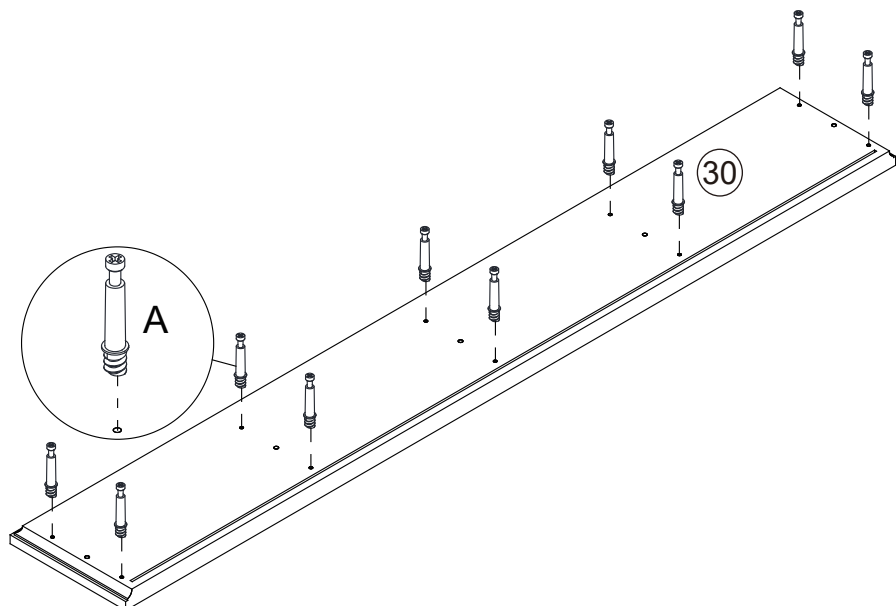


C

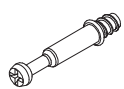


Cam lock x 6

Step 29



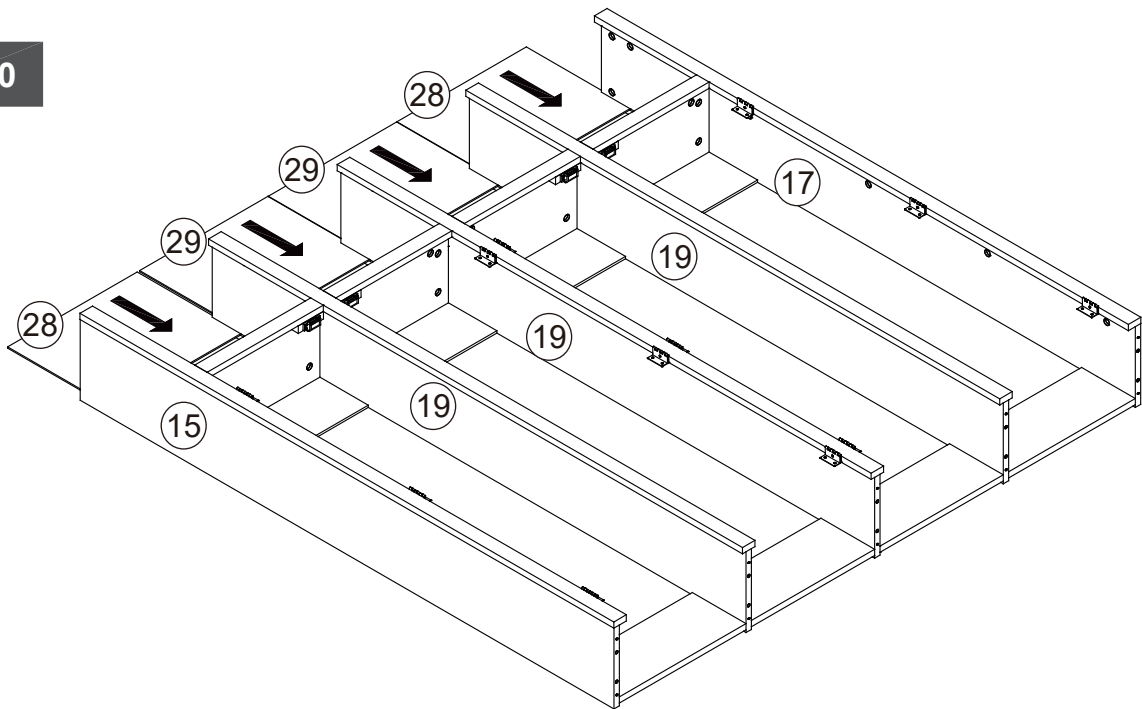
A



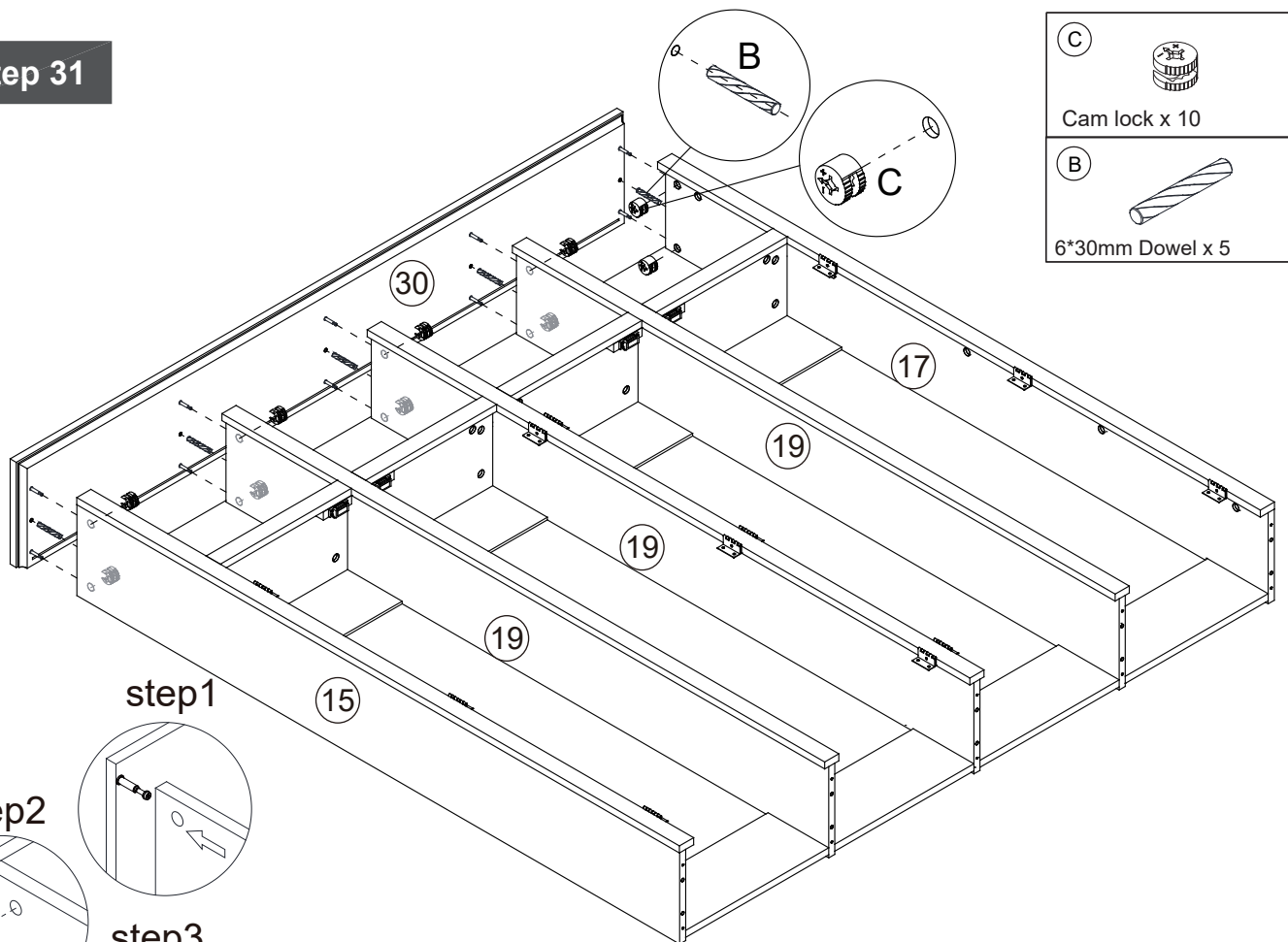
Cam Bolt x 10

Assembly Instructions

Step 30

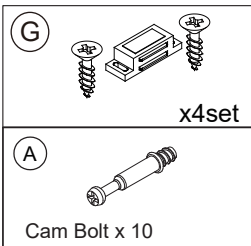
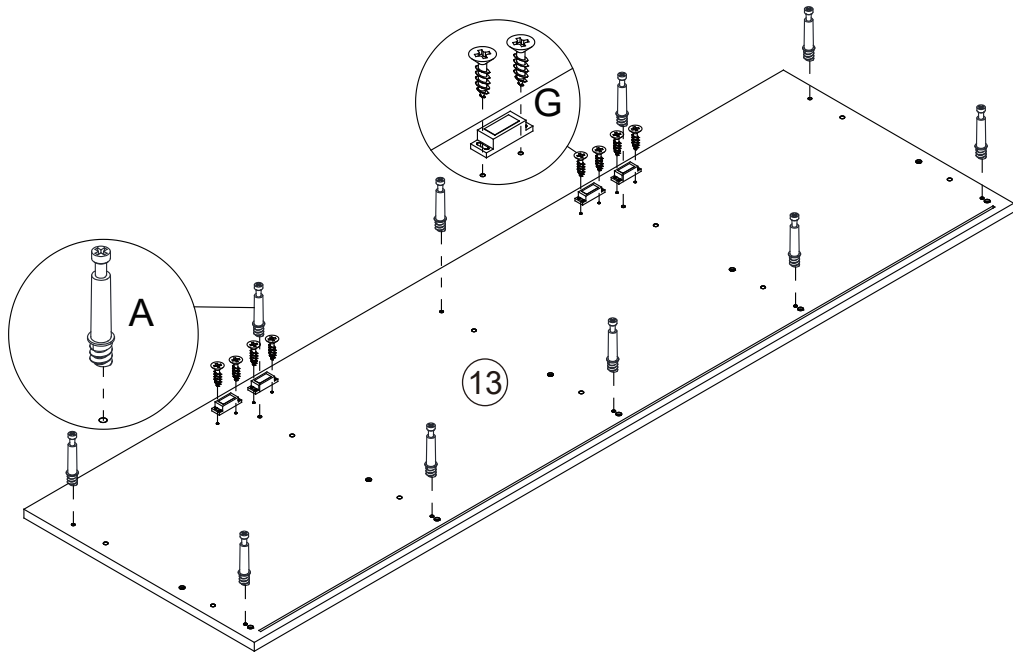


Step 31

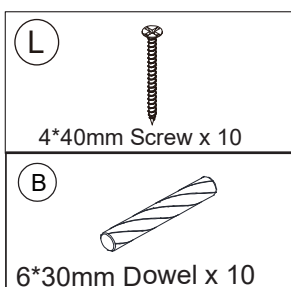
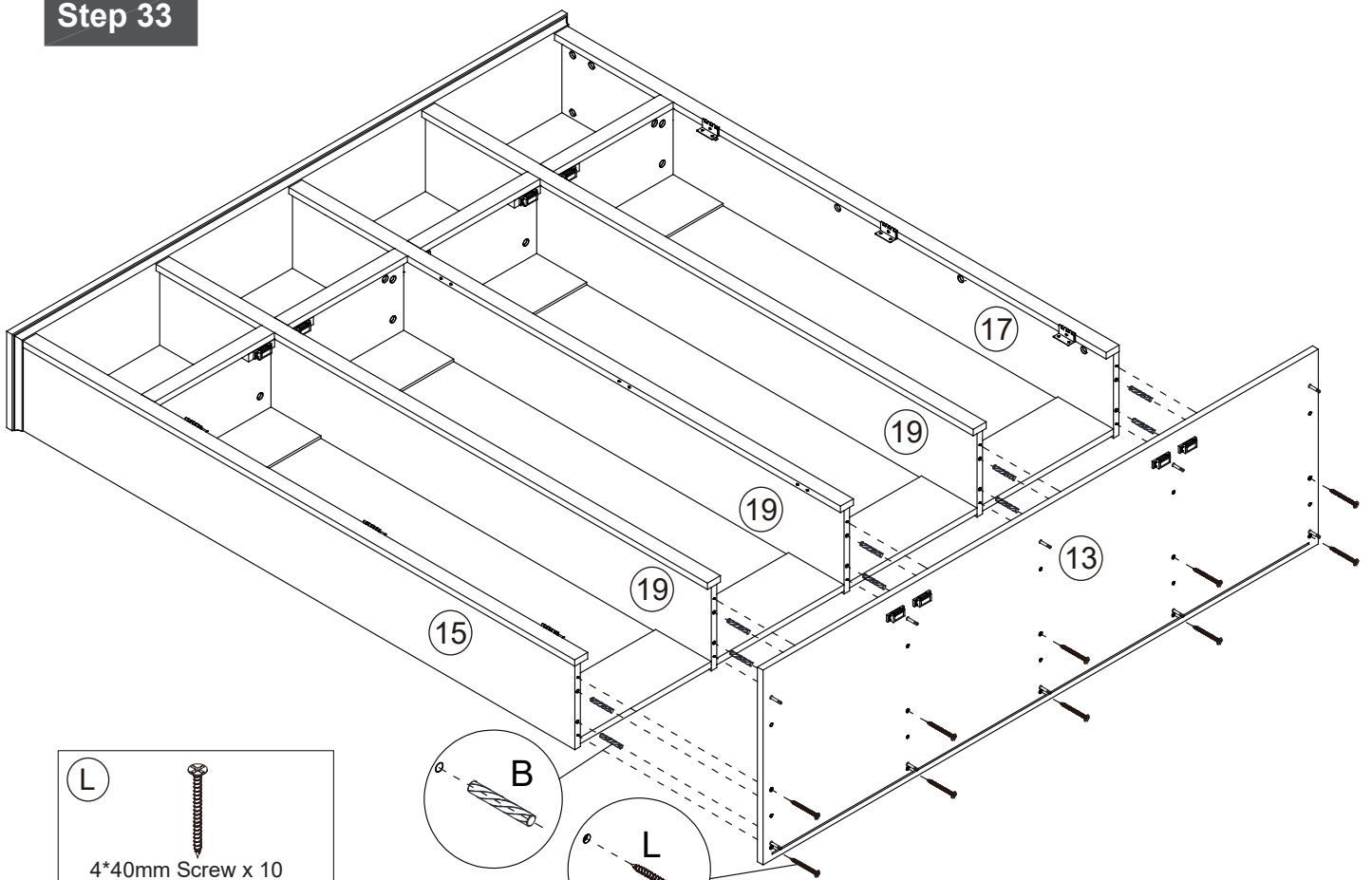


Assembly Instructions

Step 32

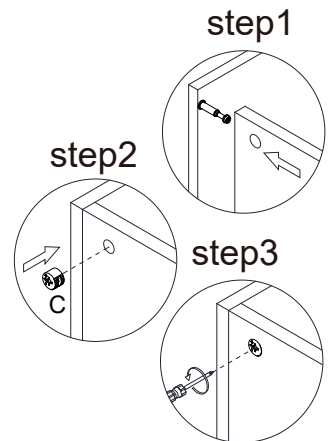
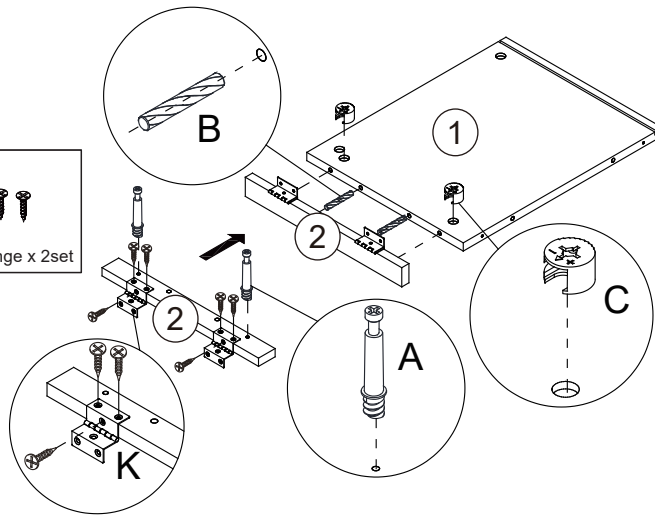
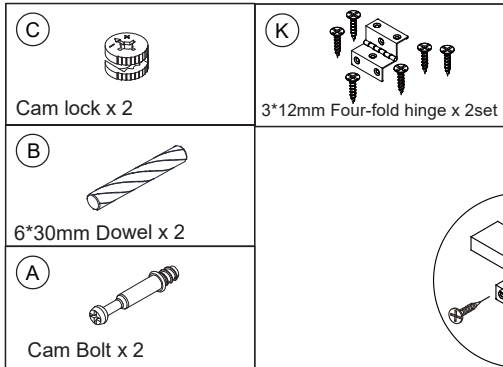


Step 33

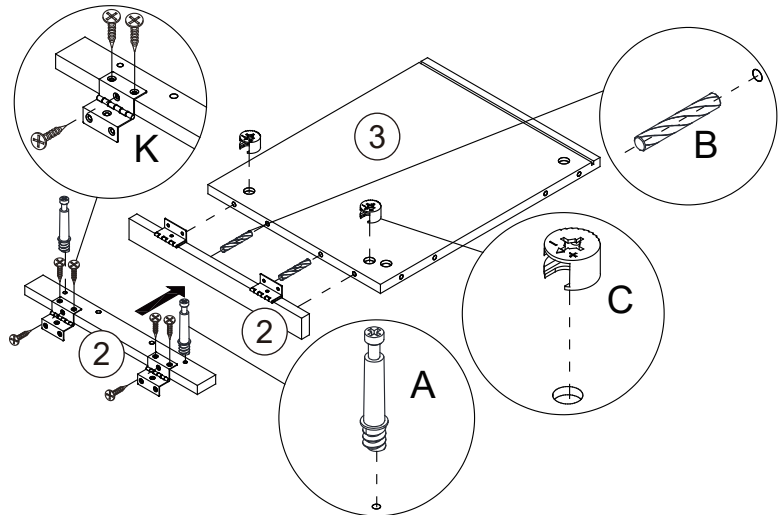
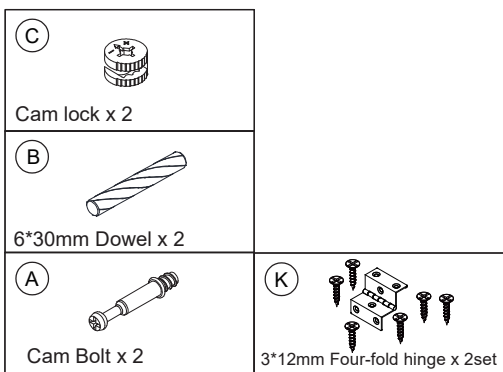


Assembly Instructions

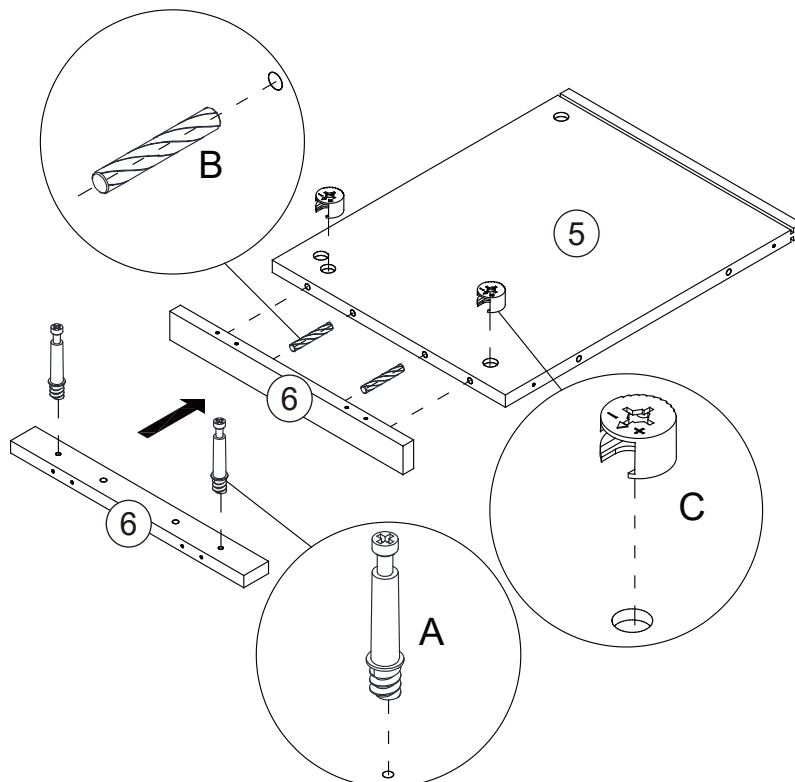
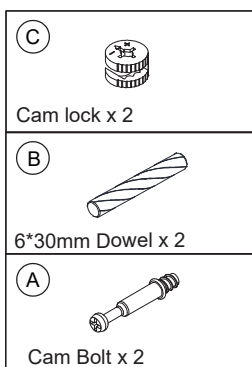
Step 34



Step 35

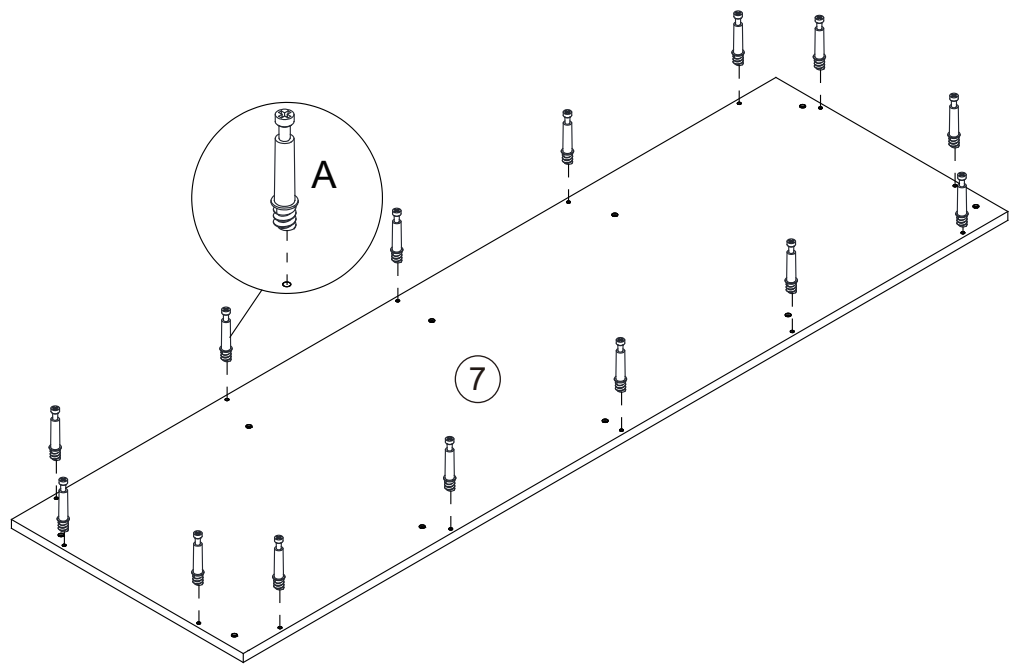


Step 36



Assembly Instructions

Step 37



(A)



Cam Bolt x 14

Step 38

(L)

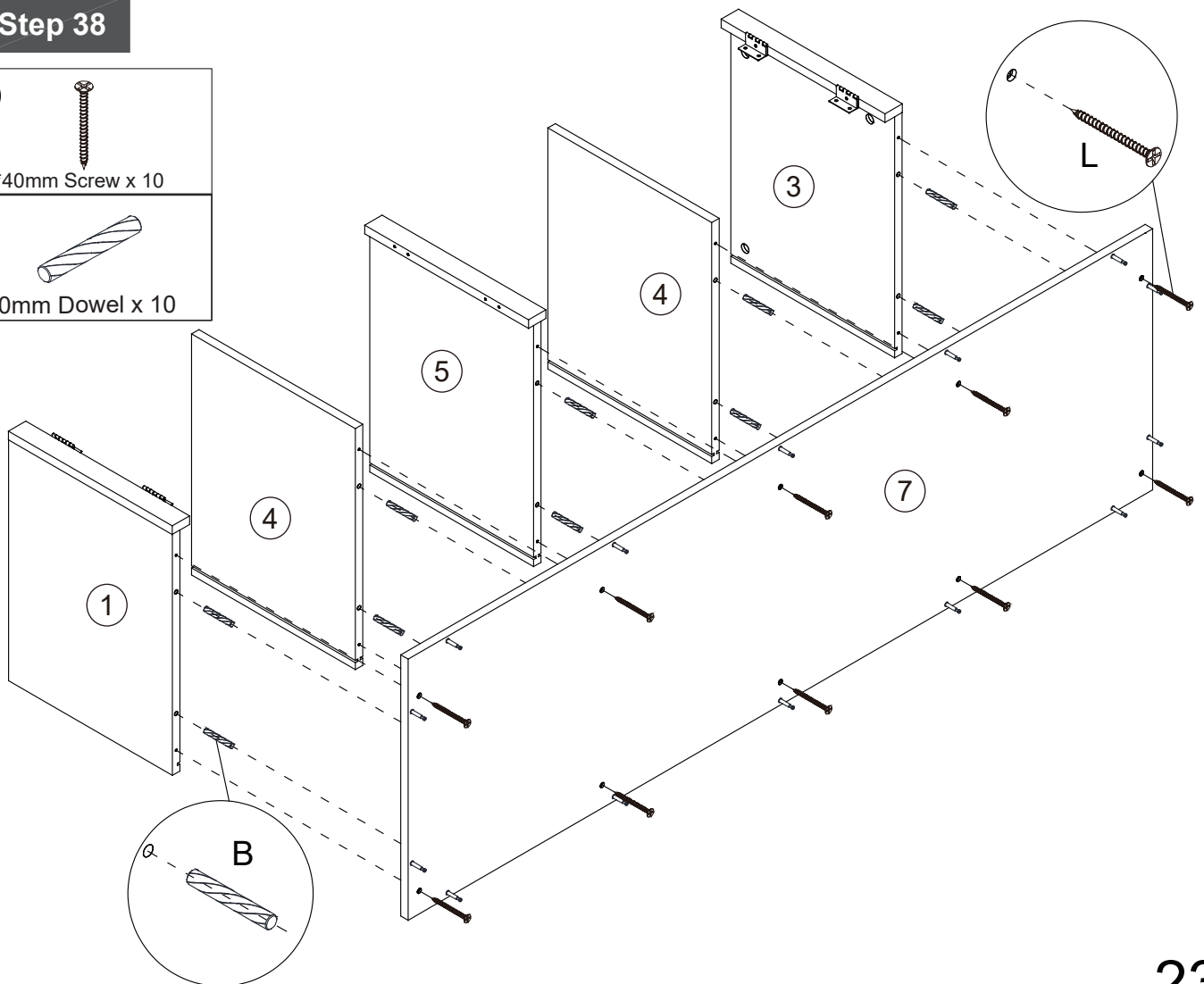


4*40mm Screw x 10

(B)

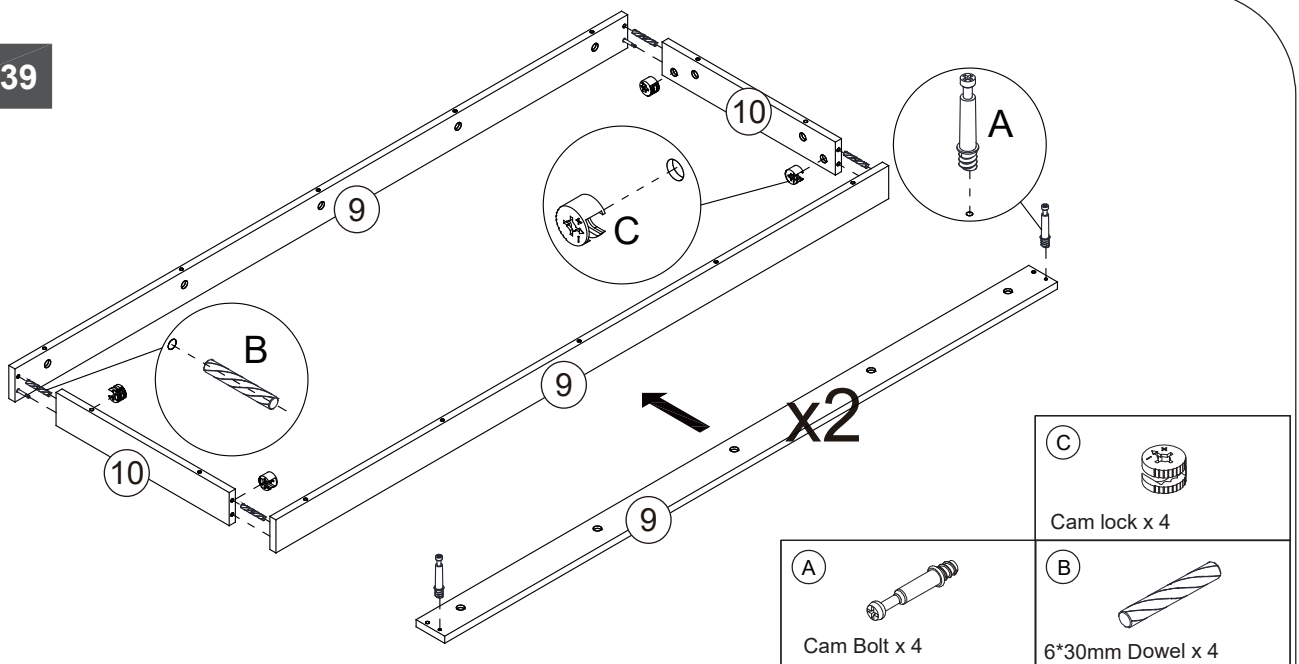


6*30mm Dowel x 10

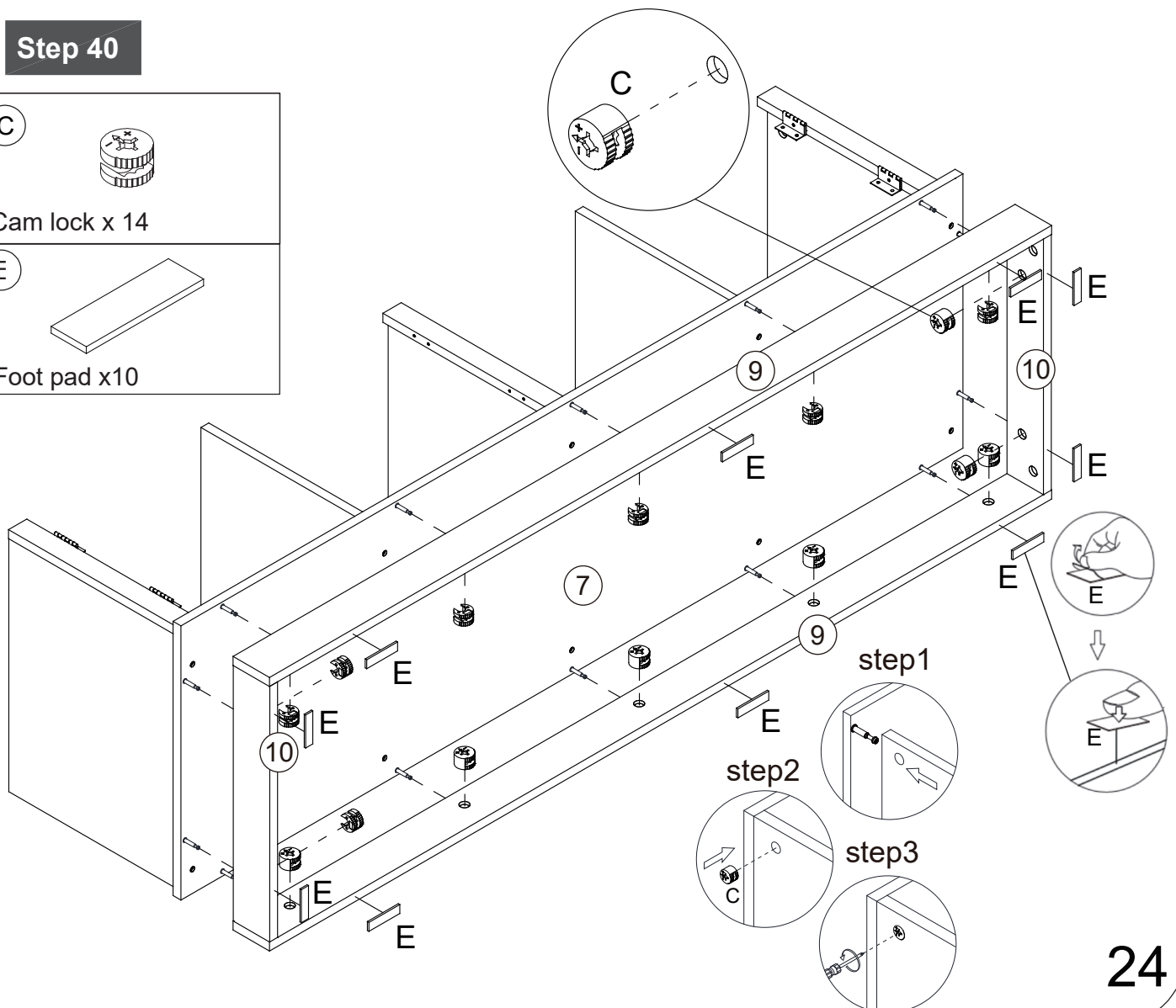
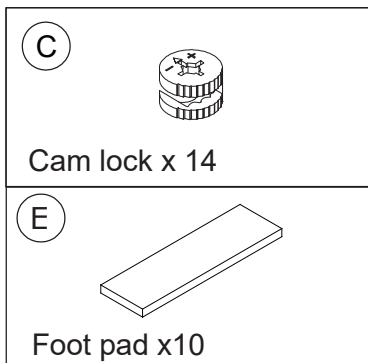


Assembly Instructions

Step 39

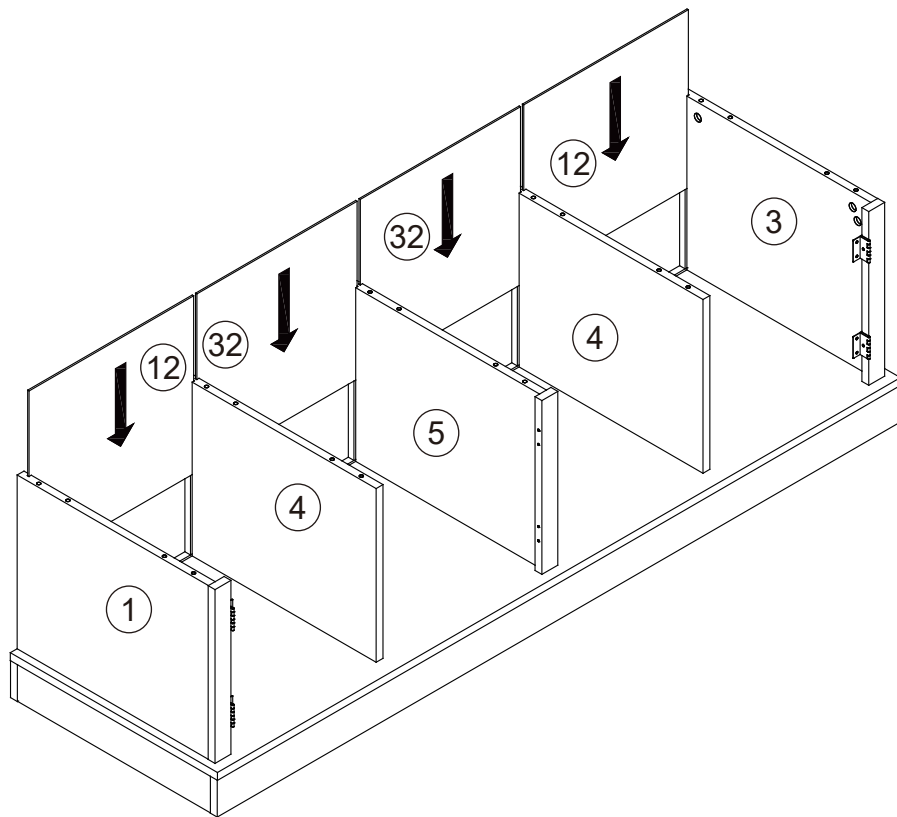


Step 40

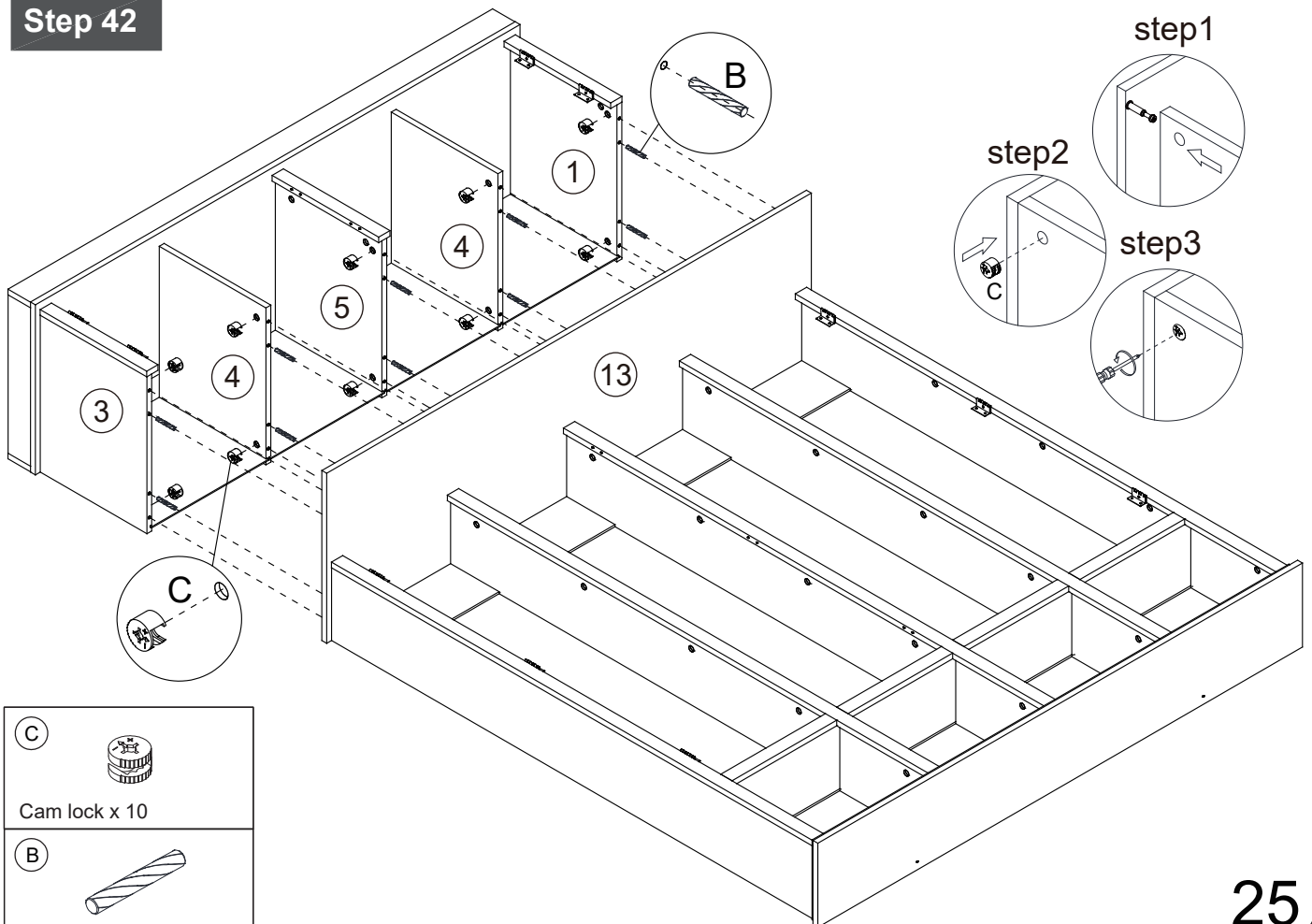


Assembly Instructions

Step 41

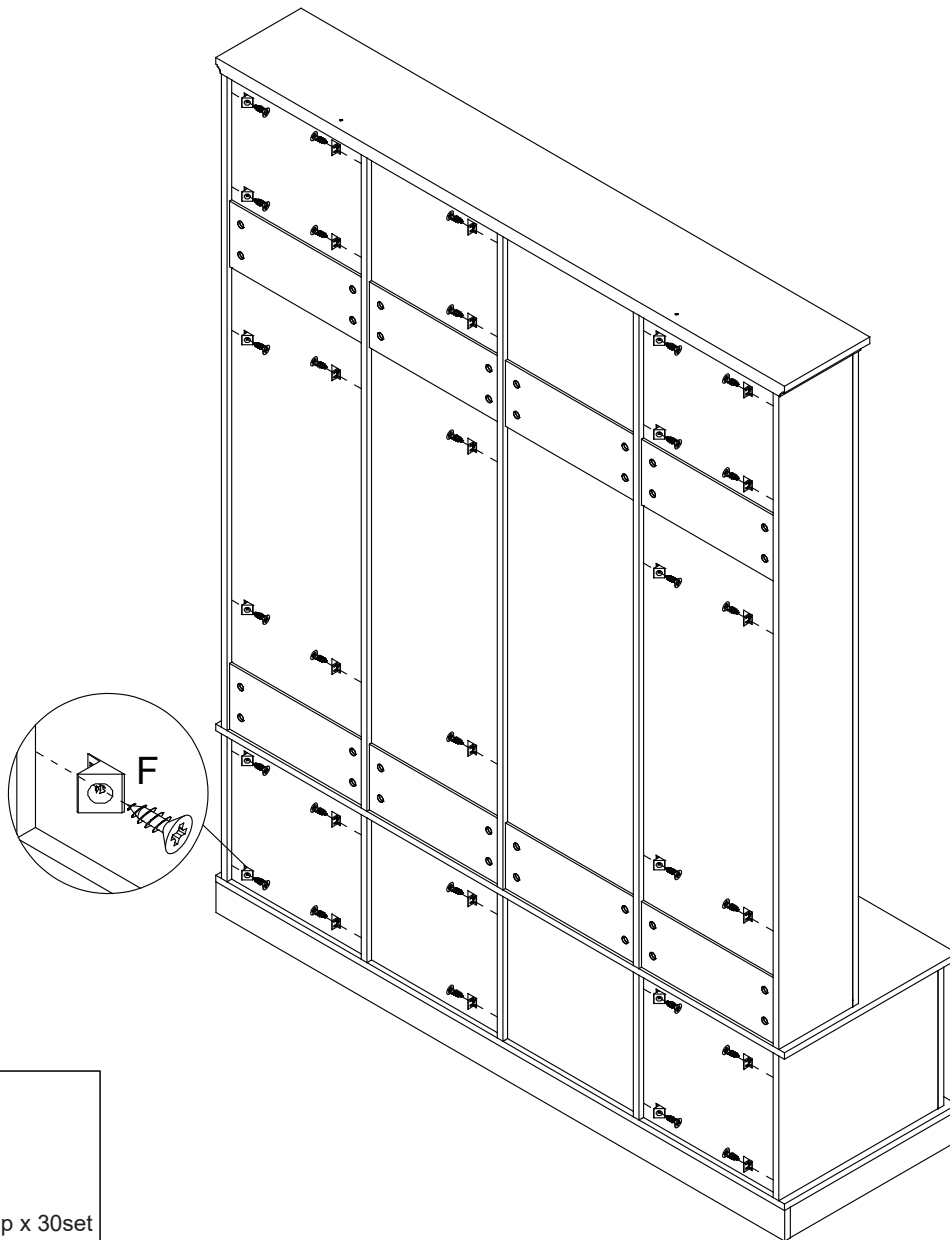


Step 42

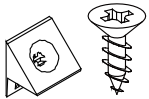


Assembly Instructions

Step 43



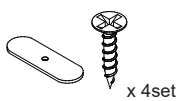
F



3.5*14mm Back panel clip x 30set

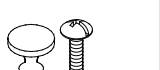
Step 44

N

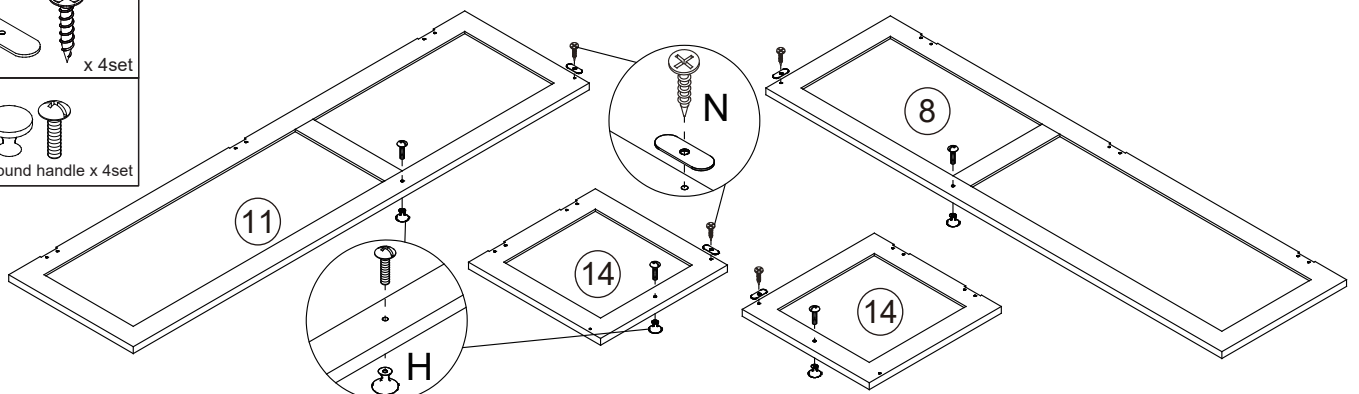


x 4set

H

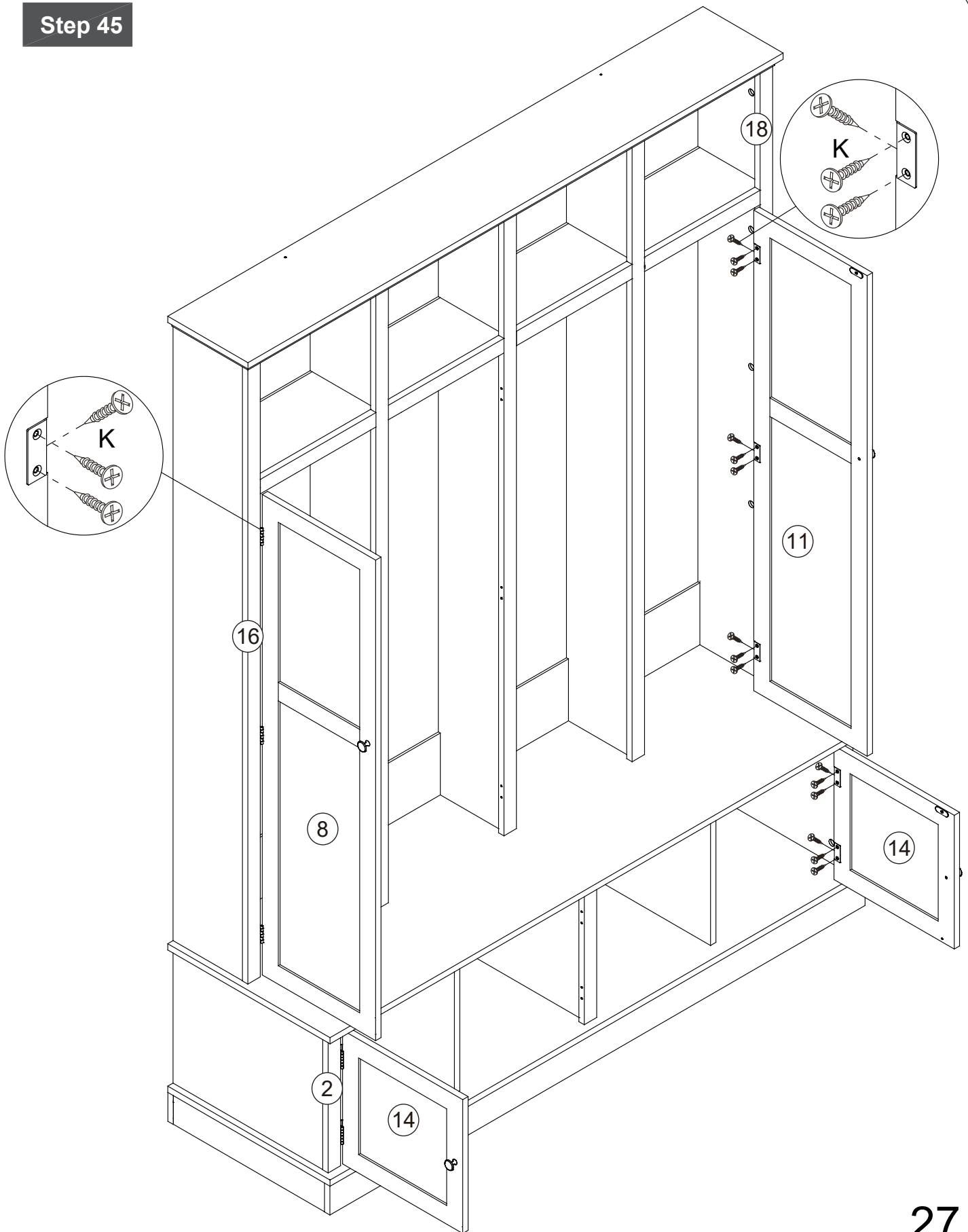


4*18mm round handle x 4set



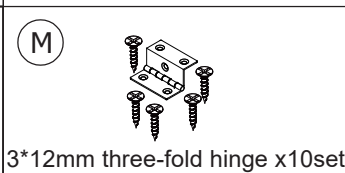
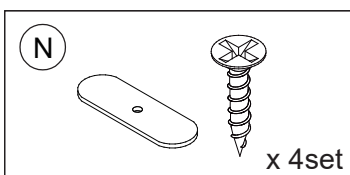
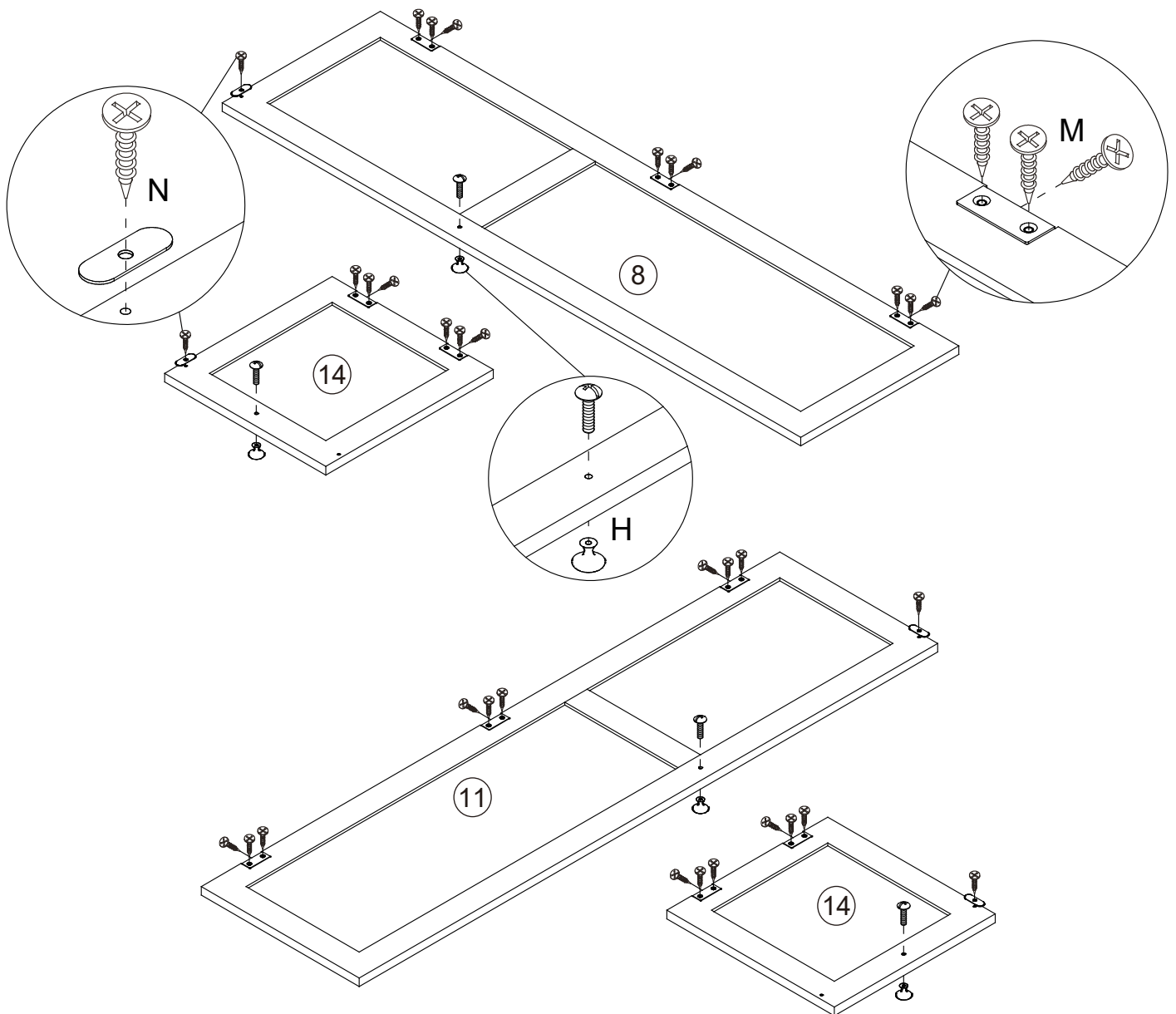
Assembly Instructions

Step 45



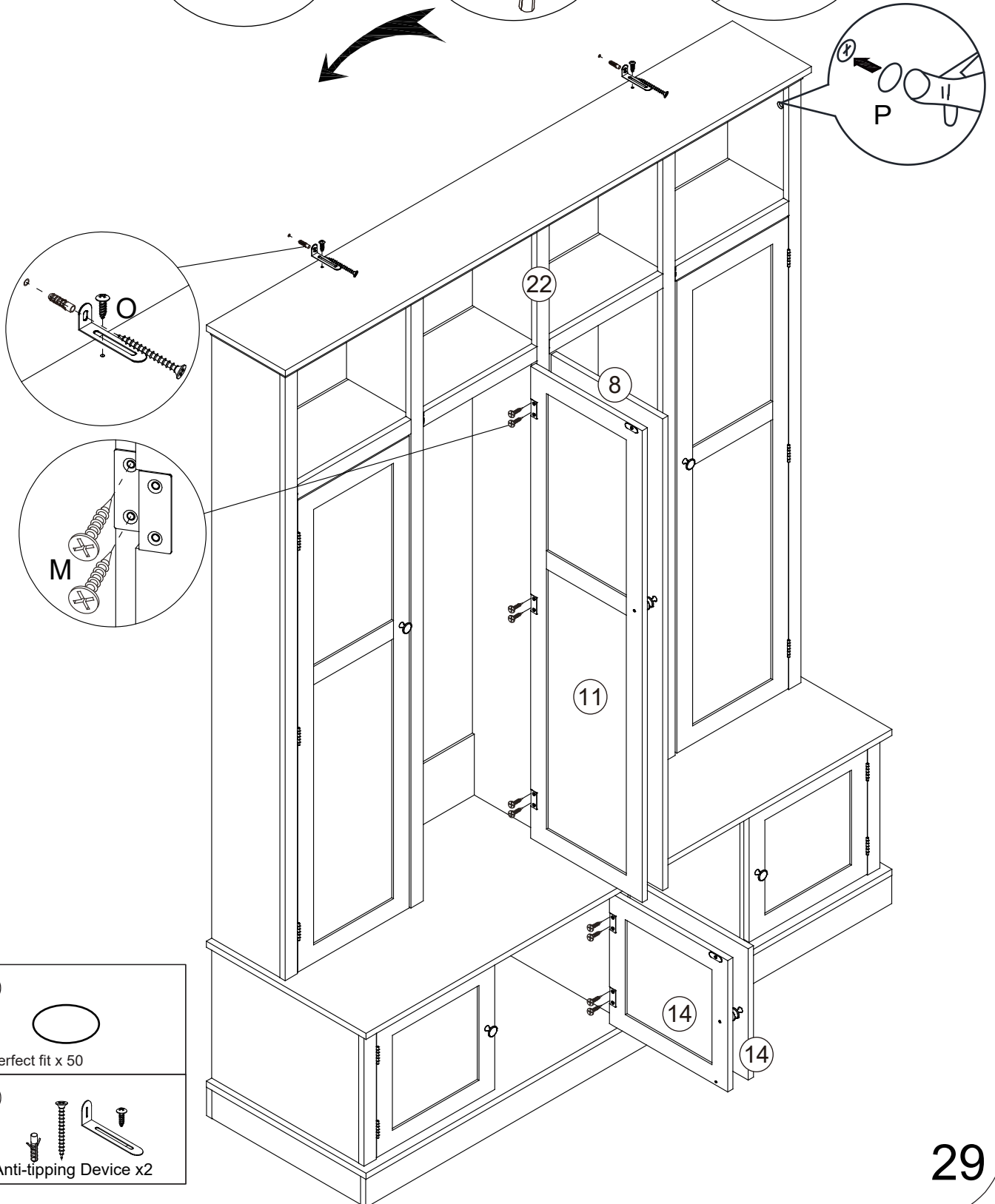
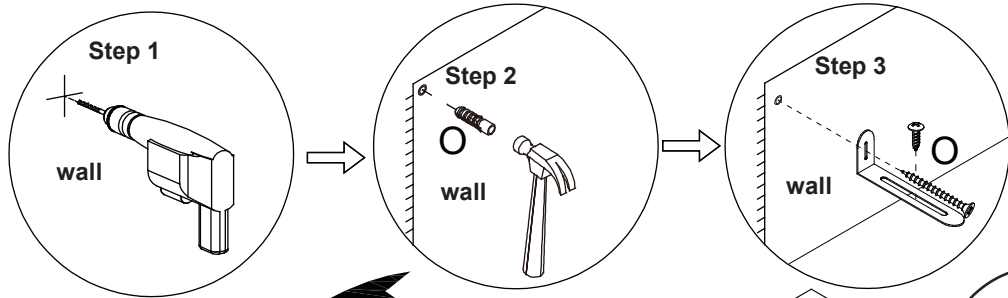
Assembly Instructions

Step 46



Assembly Instructions

Step 47



Assembly Instructions

Finish

