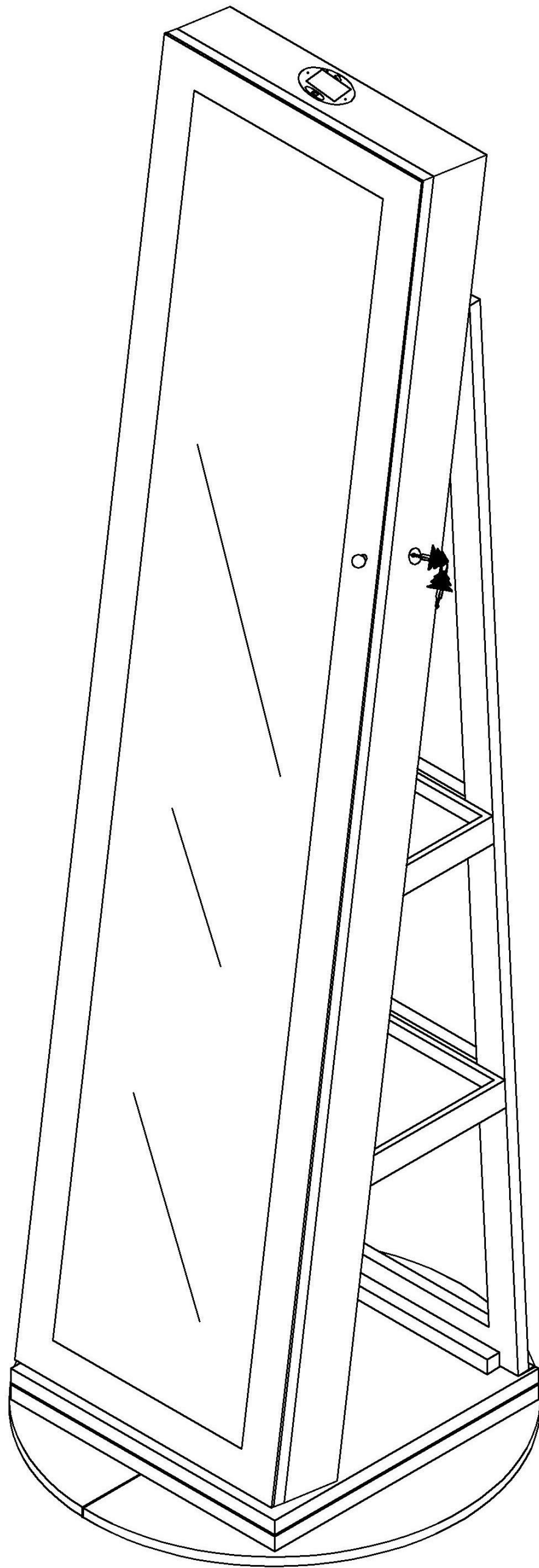
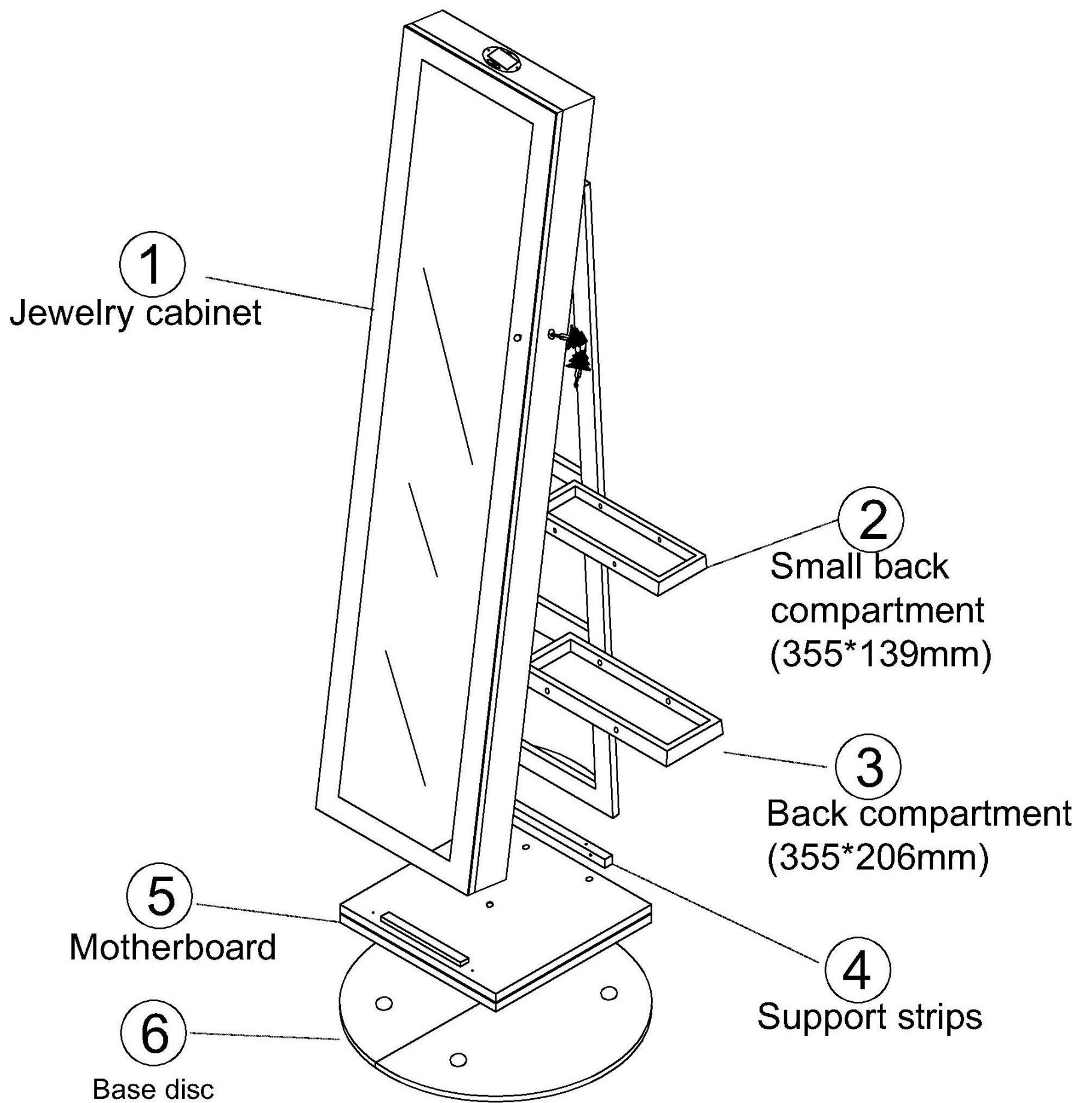




# 7021L MIRROR JEWELLERY CABINET

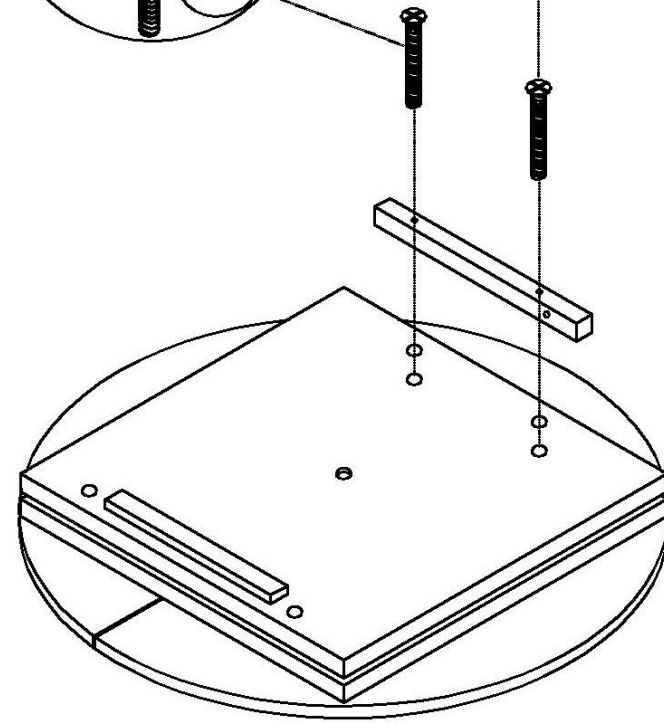
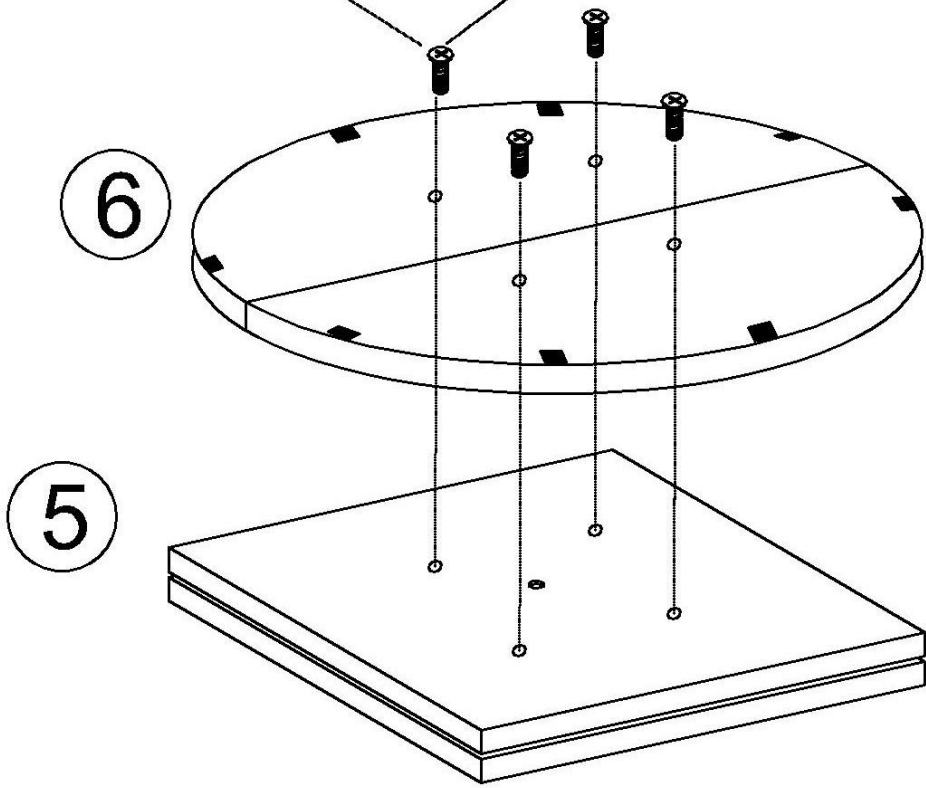
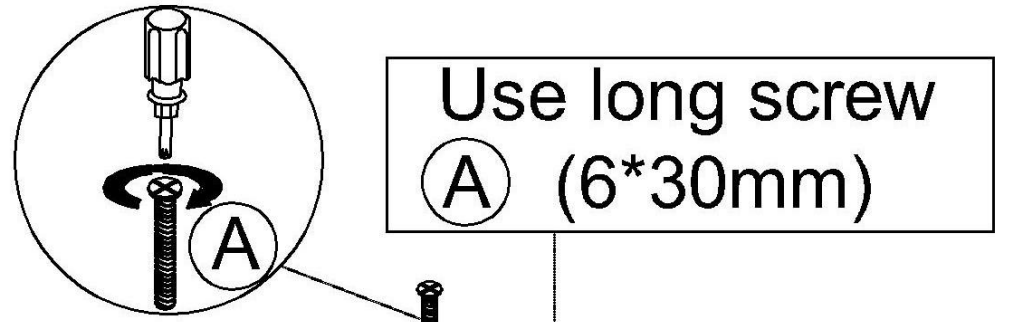
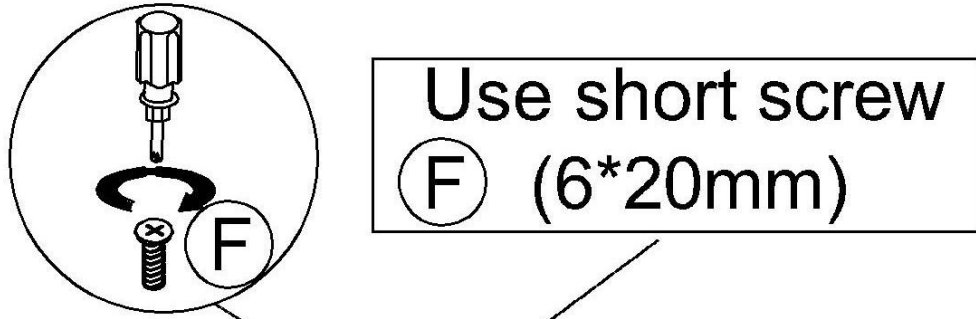






(A)		Long screw(6*30mm)	6 Pcs
(B)		The key	1 Pcs
(C)		Long cross screw assembly (5*20mm)	4 Pcs
(D)		Short cross screw assembly (5*8mm)	4 Pcs
(E)		Bolt driver	1 Pcs
(F)		Short screw(6*20mm)	4 Pcs
(G)		Cross machine wire (4x16mm)	1 Pcs

Step 1

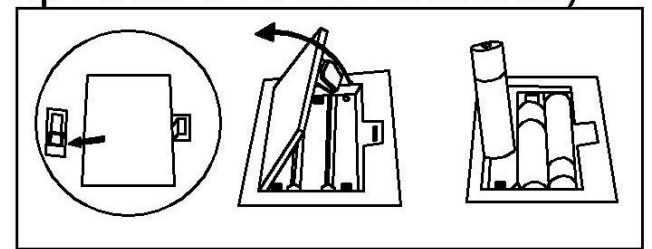
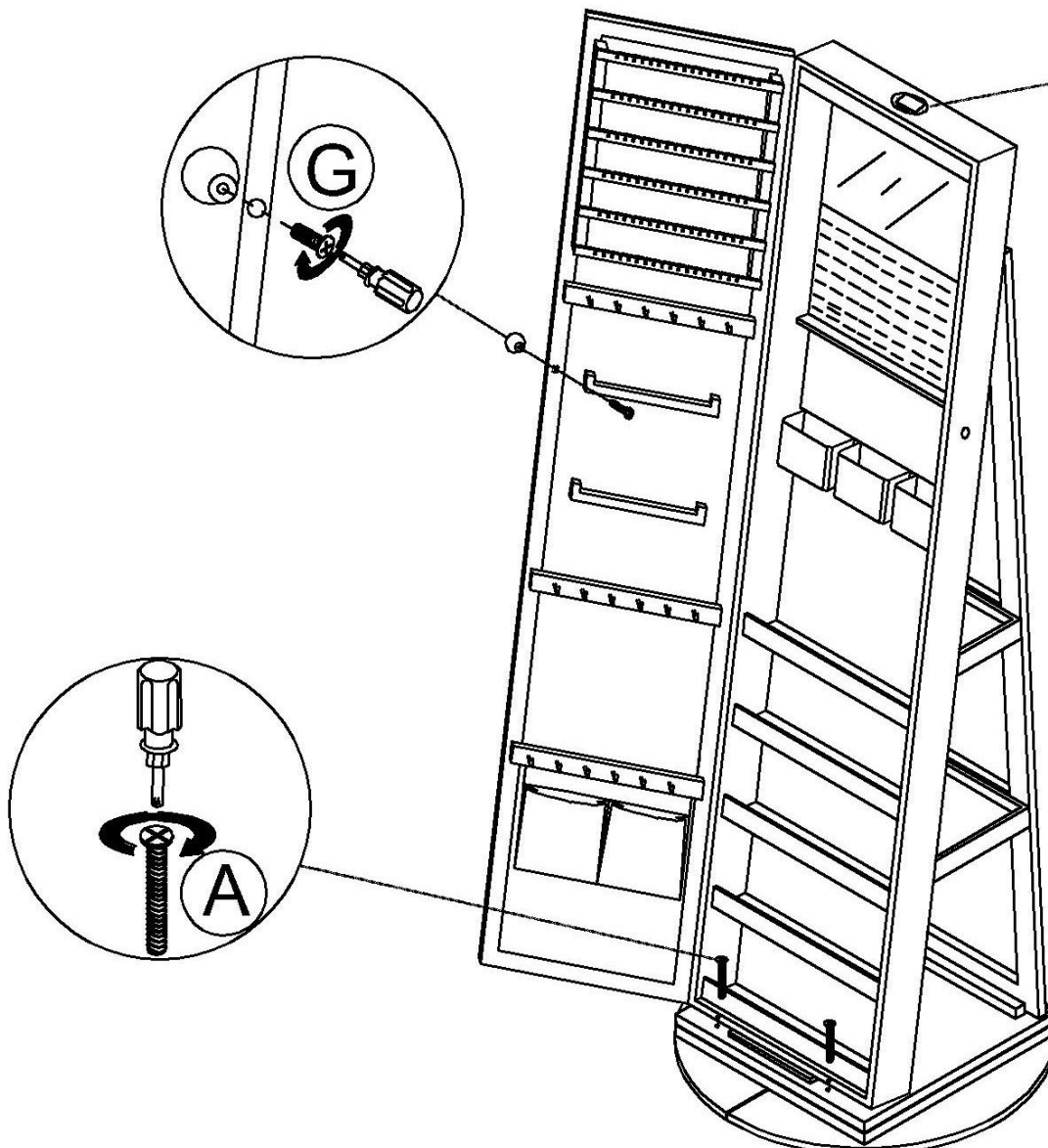
F	 (6*20mm)	x 4
A	 (6*30mm)	x 2



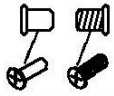
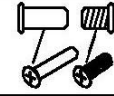

Step 2

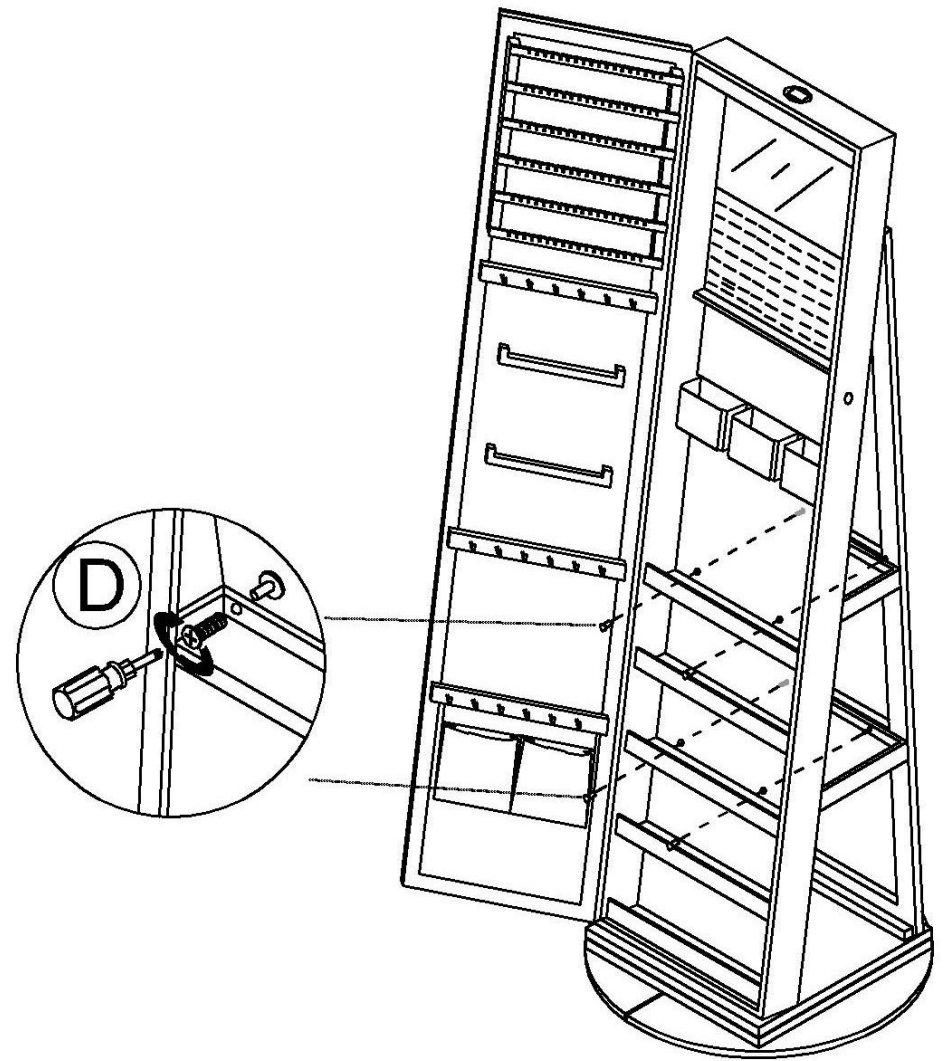
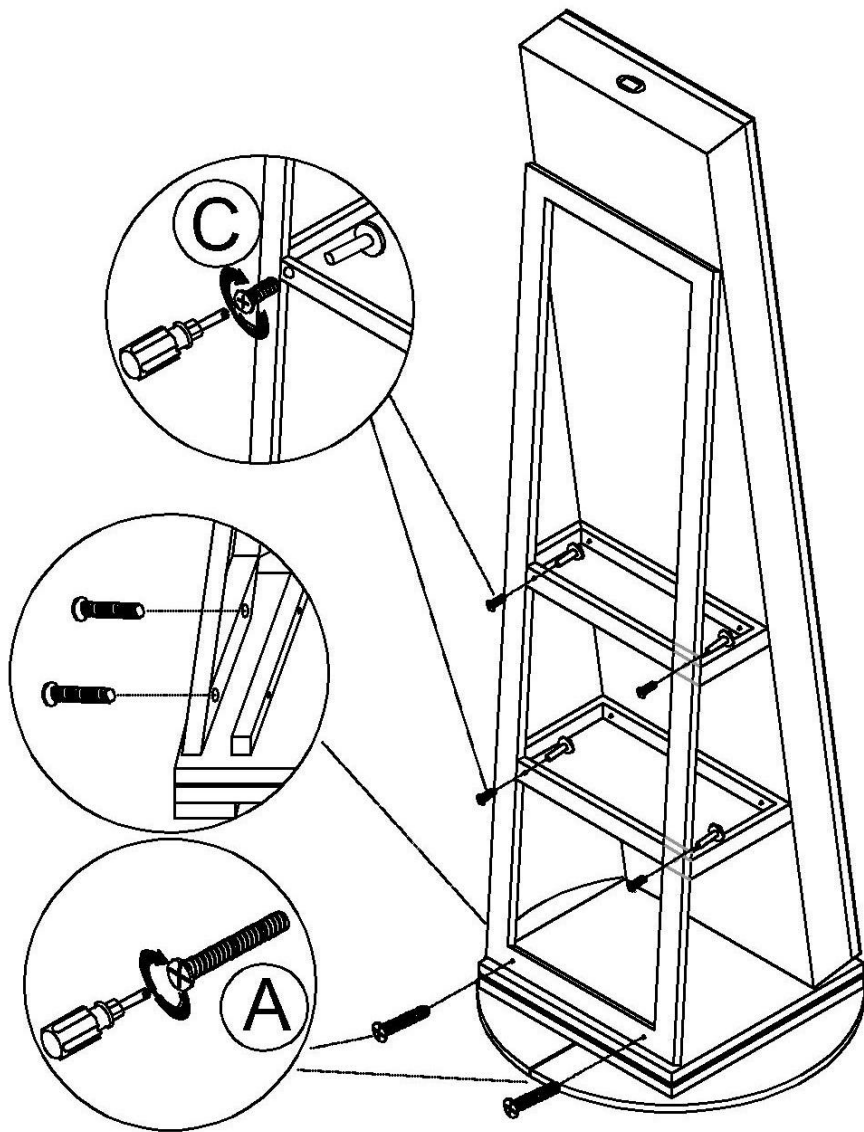
A	 (6*30mm)	x 2
G	 (4*16mm)	x 1

Battery installation  
(Tip: use 3 AAA Batteries)



Step 3

(D)	 (5*8mm)	X 4
(C)	 (5*20mm)	X 4
(A)	 (6*30mm)	X 2



Step 4

(B)		X 1
-----	---	-----

