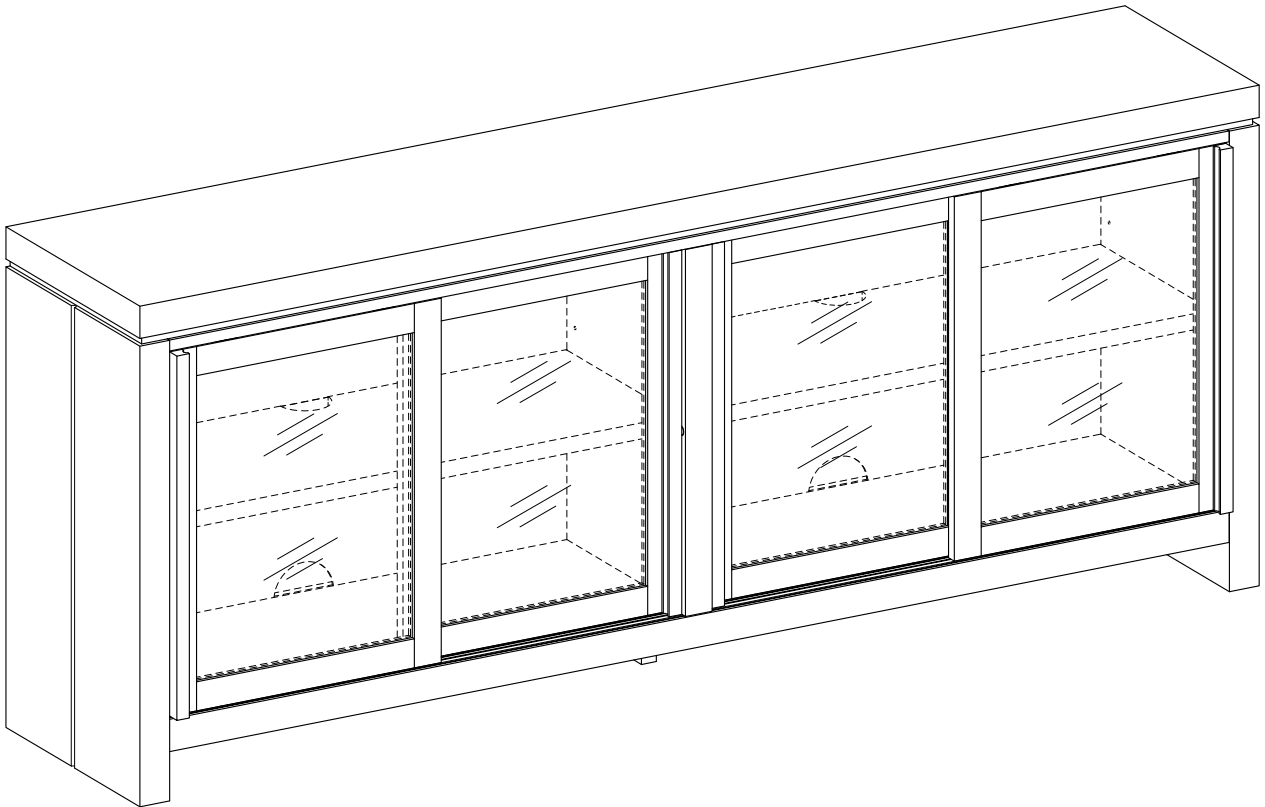


WALKER EDISON™

Glass Sideboard

SKU# WEBKR11743



For Residential Use Only

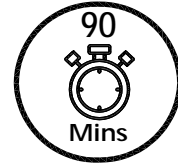
Please visit our website for the most current instructions, assembly tips, report damage, or request parts. www.walkeredison.com



Time to get started

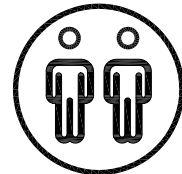
Set up a clean and soft workplace to get started and avoid damage during the assembly. It also helps to double-check that you've got all the pieces and parts before diving in to assembly.

Estimated time for assembly



People recommended for assembly

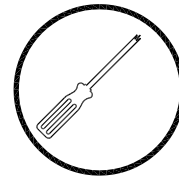
Make it a team effort! Grab a friend for quicker, easier assembly.



2 People Build

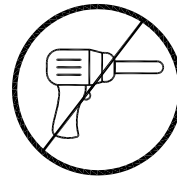
Tools Needed

Grab a Phillips head screwdriver to conquer this assembly



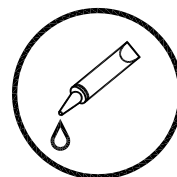
Use power tools with caution

You can cause cracking or damage to the material and easily strip the hardware. If you choose to use a power tool, your product will no longer be covered under Walker Edison's warranty.



Glue is provided to secure wood dowels in place

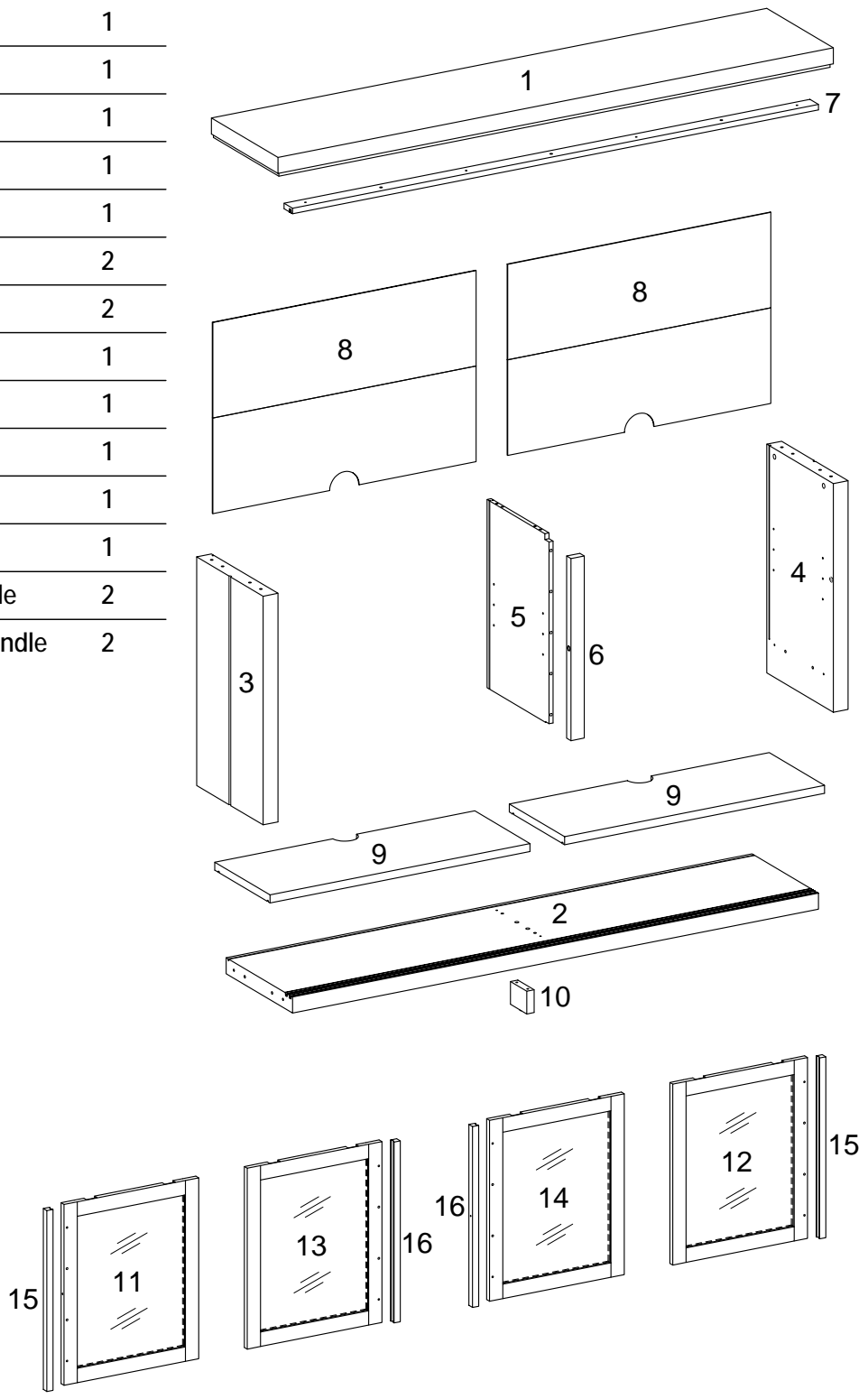
When inserting dowels, locate the appropriate hole, place a small amount of glue in the hole, and then insert the dowel. Wipe away excess glue immediately.





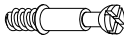

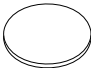
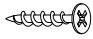
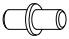

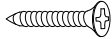
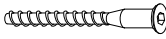
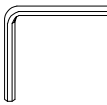


Scan to get assembly tips and help!

WE Parts List

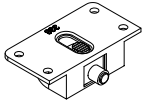
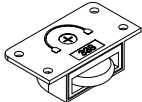




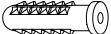

Part Number	Description	Quantity
1	Top Panel	1
2	Bottom Panel	1
3	Left Panel	1
4	Right Panel	1
5	Divider Panel	1
6	Middle Mullion	1
7	Top Rail	1
8	Back Panel	2
9	Adjustable Shelf	2
10	Middle Foot	1
11	Side Left Door	1
12	Side Right Door	1
13	Middle Right Door	1
14	Middle Left Door	1
15	Side Wooden Handle	2
16	Middle Wooden Handle	2



Hardware List

	Part	Size	Name	Quantity
A		8x30mm	Wooden dowel	17
B		6x20mm	Wooden dowel	8
C		6x35mm	Cam Bolt	15
D		15x11mm	Cam Lock	15
E		30mm	Sticker	15
F		4x25mm	Screw	4
G		5x16mm	Shelf Support Pin	8
H		16x16x10.5mm	Plastic Wedge	16
J		3x17mm	Screw	16
K		6x50mm	Bolt	2
L		M4	Hex key	1
M		5x9mm	Screw	4
N		4x20mm	Bolt	8

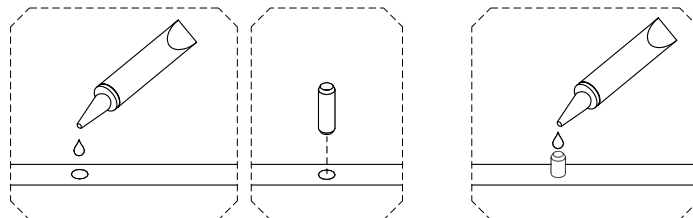
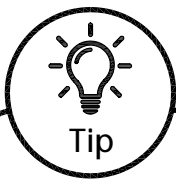
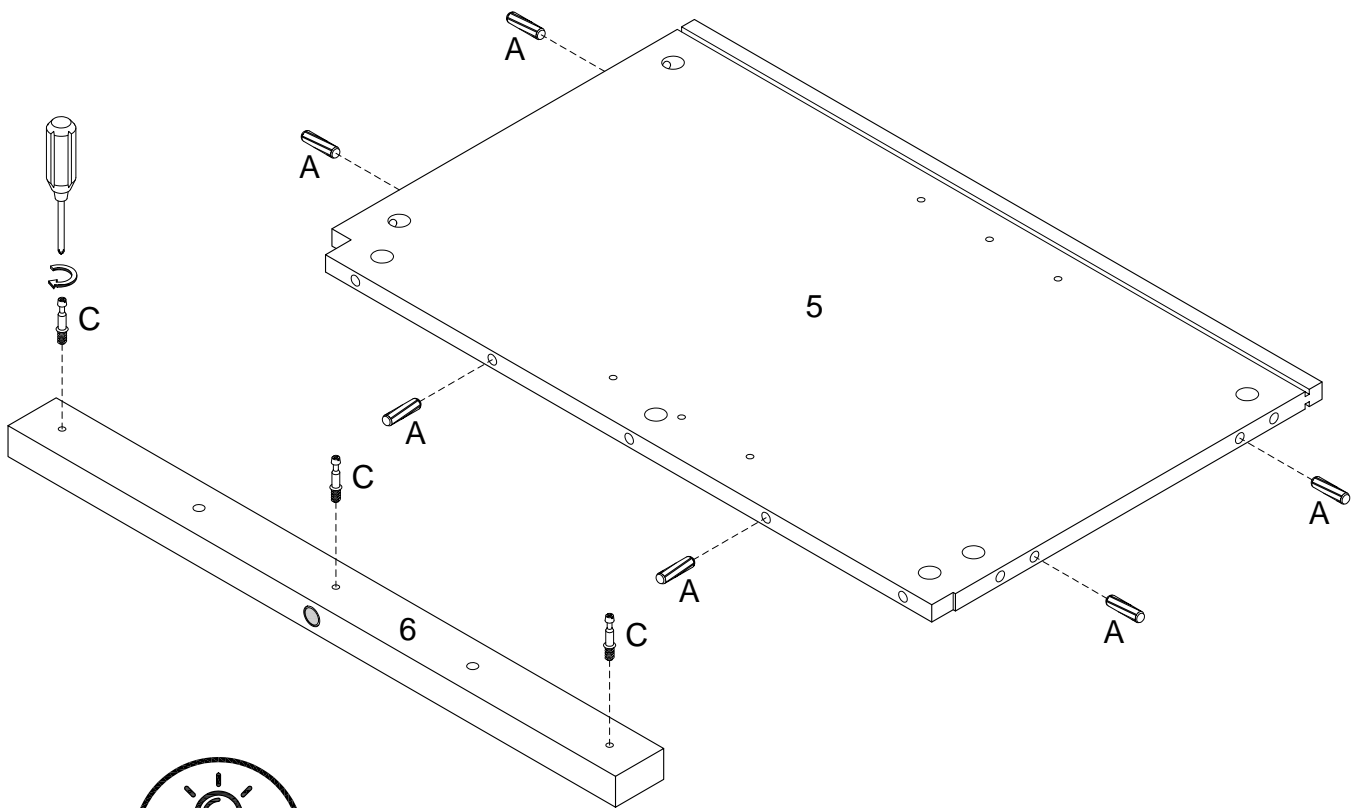
WE Hardware List

Part	Size	Name	Quantity
P 	58x31x16mm	Pulley	8
Q 	58x31x16mm	Pulley	8
R 	3x12mm	Screw	64
S 	4x25mm	Screw	2
T 	4x12mm	Screw	2
U 	25x150mm	Plastic strap	2
V 	8x30mm	Anchor	2
W 	10g	Glue Tube	2

The hardware quantities listed above are required for proper assembly.
Extra hardware pieces may be included.

Step 1

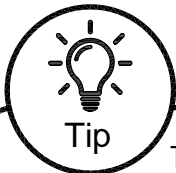
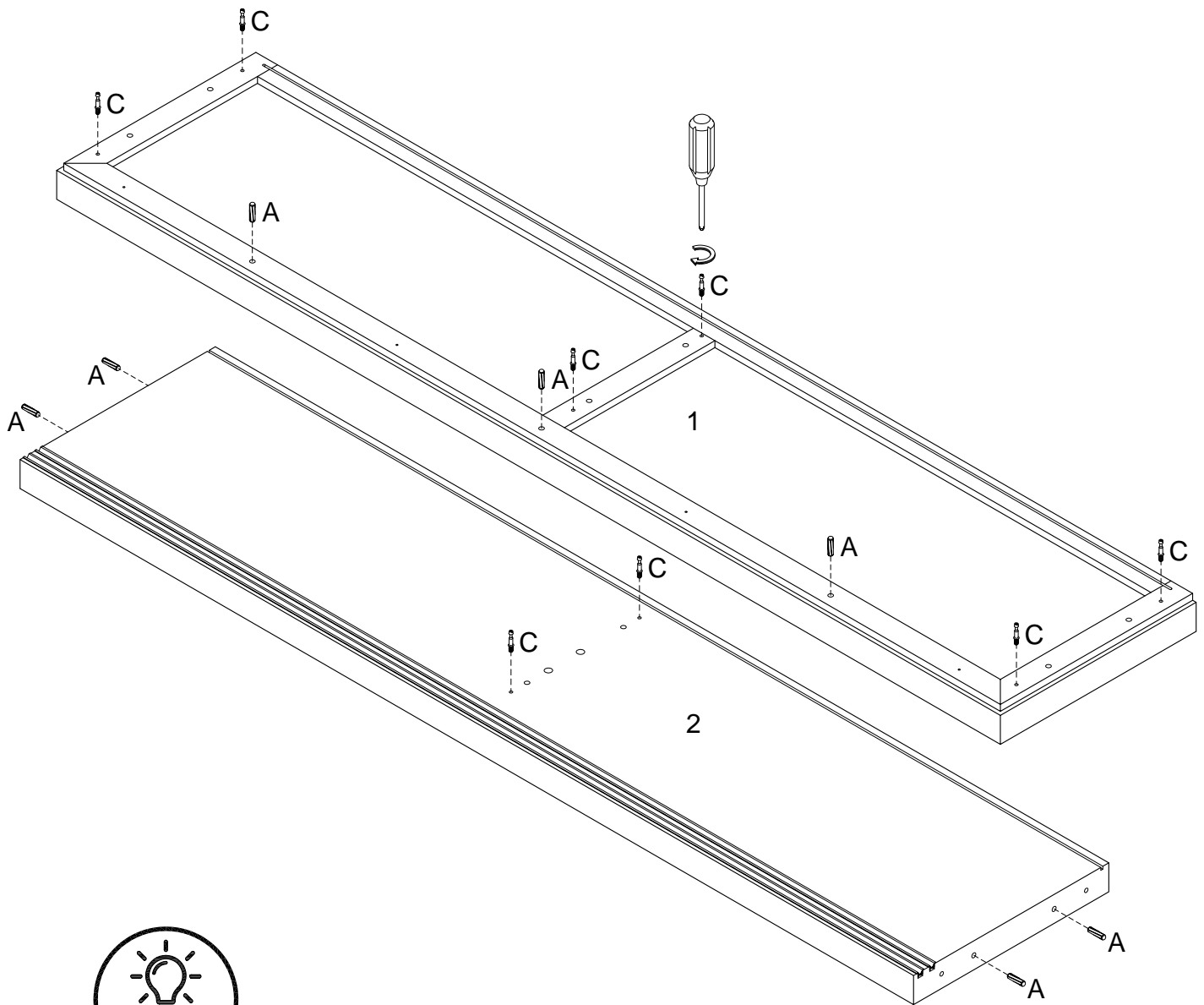
Let's get started! Using a Phillips head screwdriver, screw cam bolts (C) into the Middle Mullion (6). Then, insert wooden dowels (A) into the Divider Panel (5).



- 1: The provided glue is to secure wood dowels in place. When first inserting dowels, locate the appropriate hole for the dowel, place a small amount of glue in the hole and insert the dowel. Wipe away excess glue immediately.
- 2: In future assembly steps when dowels are necessary to attach assembly parts together, place a small amount of glue on the end of the dowel before attaching parts together. Wipe away excess glue immediately.

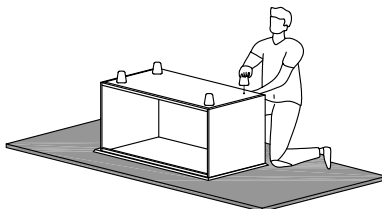
Step 2

Insert wooden dowels (A) into the Top Panel (1) and Bottom Panel (2), then screw in the cam bolts (C).



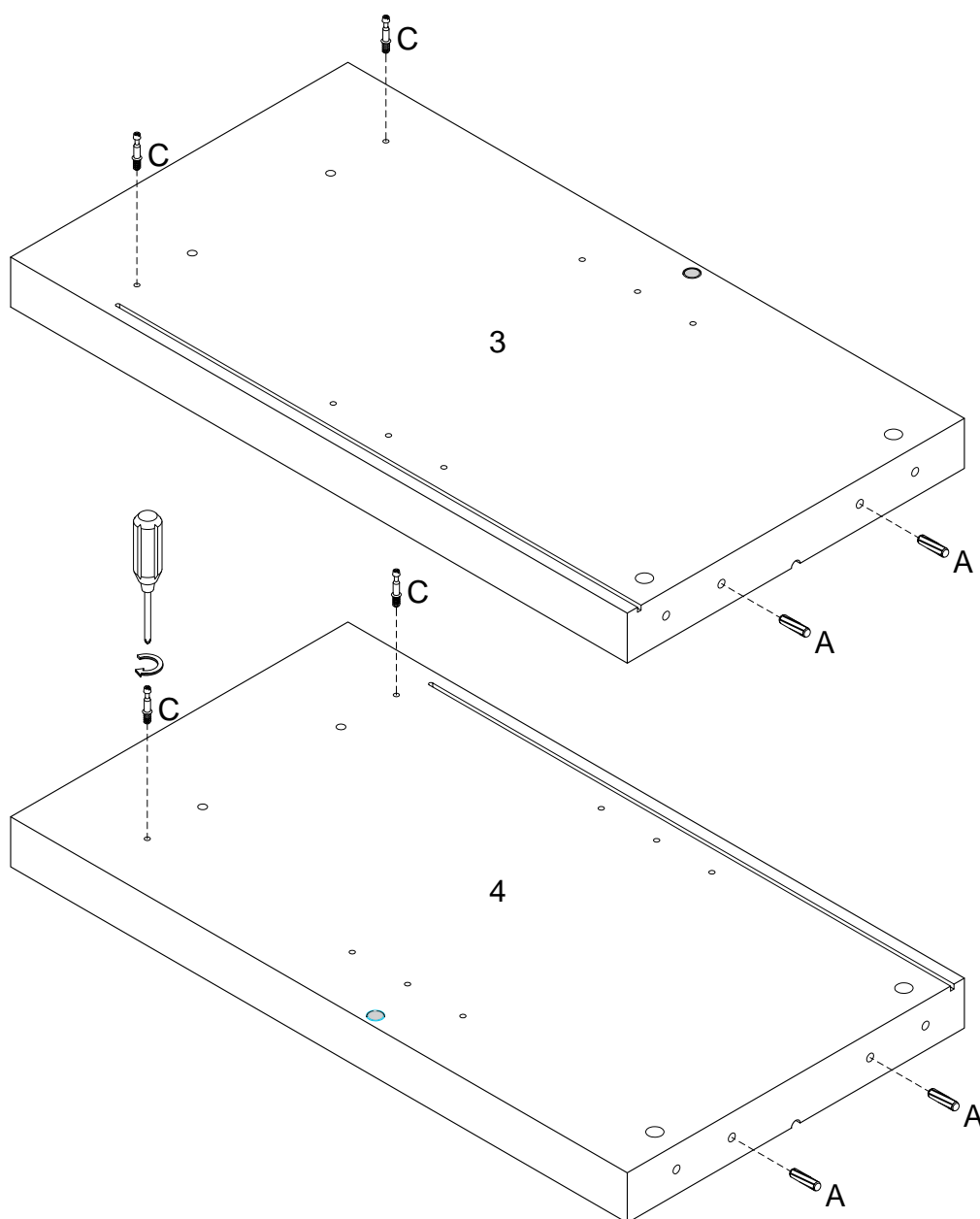
Tip

To keep your product looking its best and scratch-free, try assembling it on a soft surface like carpet or a blanket. This helps prevent any accidental scratches and keeps your furniture in top shape!



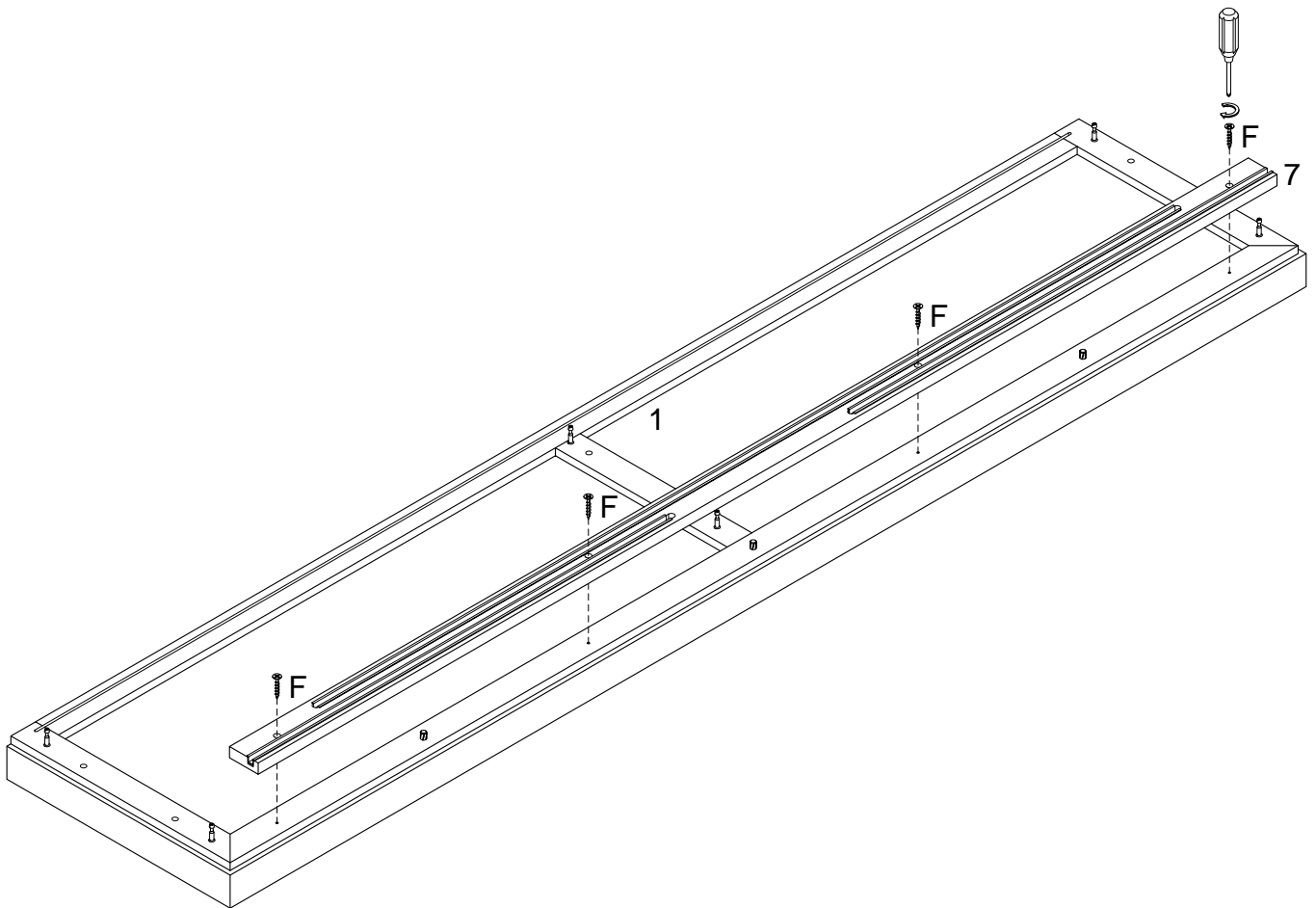
Step 3

Insert wooden dowels (A) into the Left Panel (3) and the Right Panel (4), then screw in the cam bolts (C).

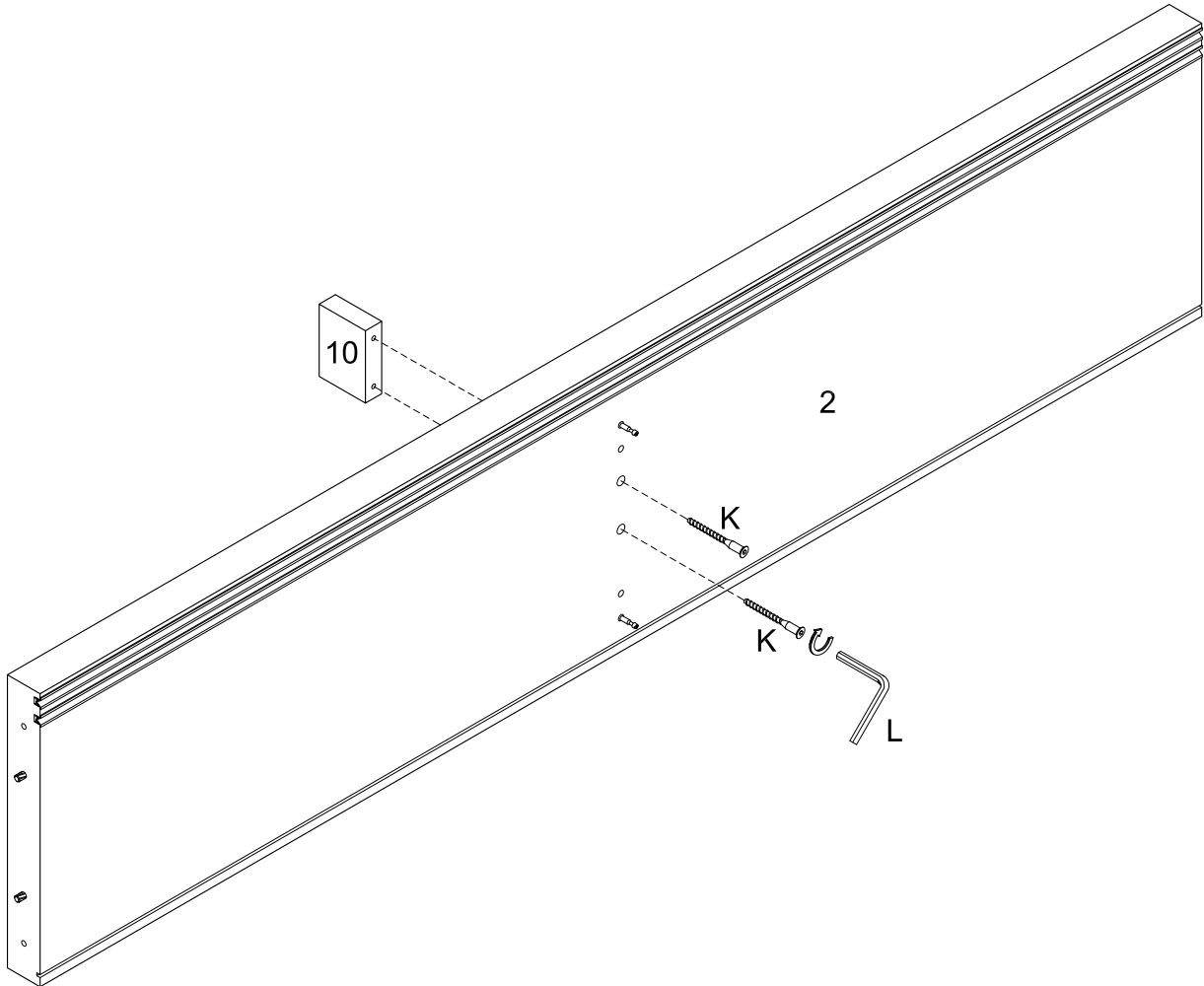


Step 4

Next, attach the Top Rail (7) to the Top Panel (1) using the (F) screws.

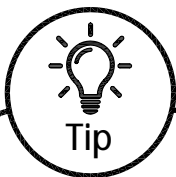
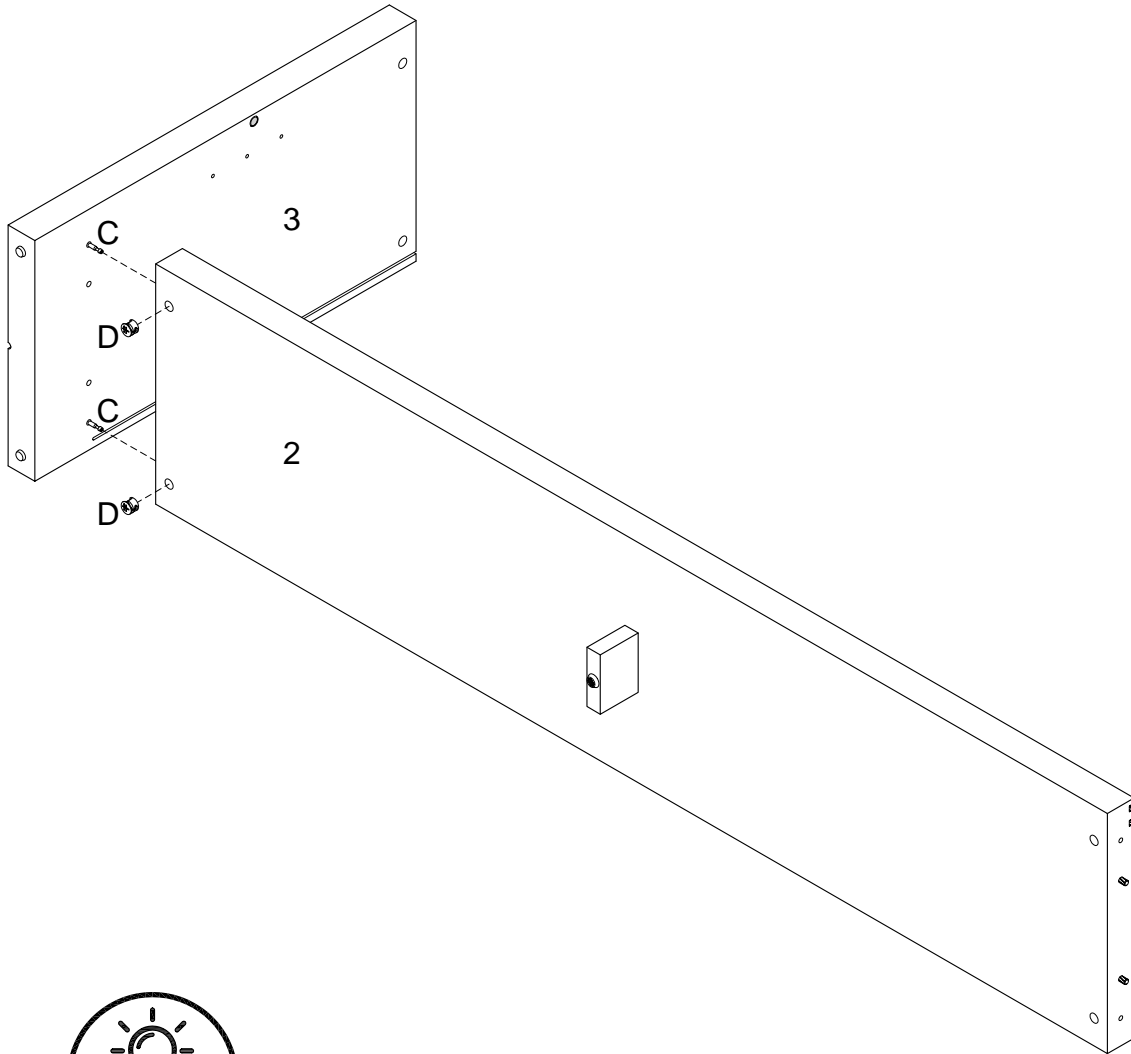


Step 5



Step 6

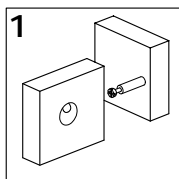
Attach the Left Panel (3) to the Bottom Panel (2) using the cam bolts (C). Make sure the grooves for the back panel are on the same side. Insert cam locks (D) and tighten with a screwdriver to secure the connection.



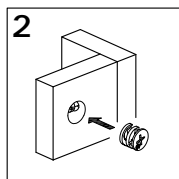
Tip

Cam Locks

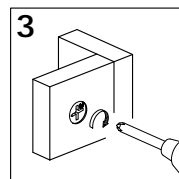
Cam Locks help securely join two pieces together.
Follow these easy steps.



1: Insert Cam Bolt into bolt holes on the flat side. Don't over tighten!



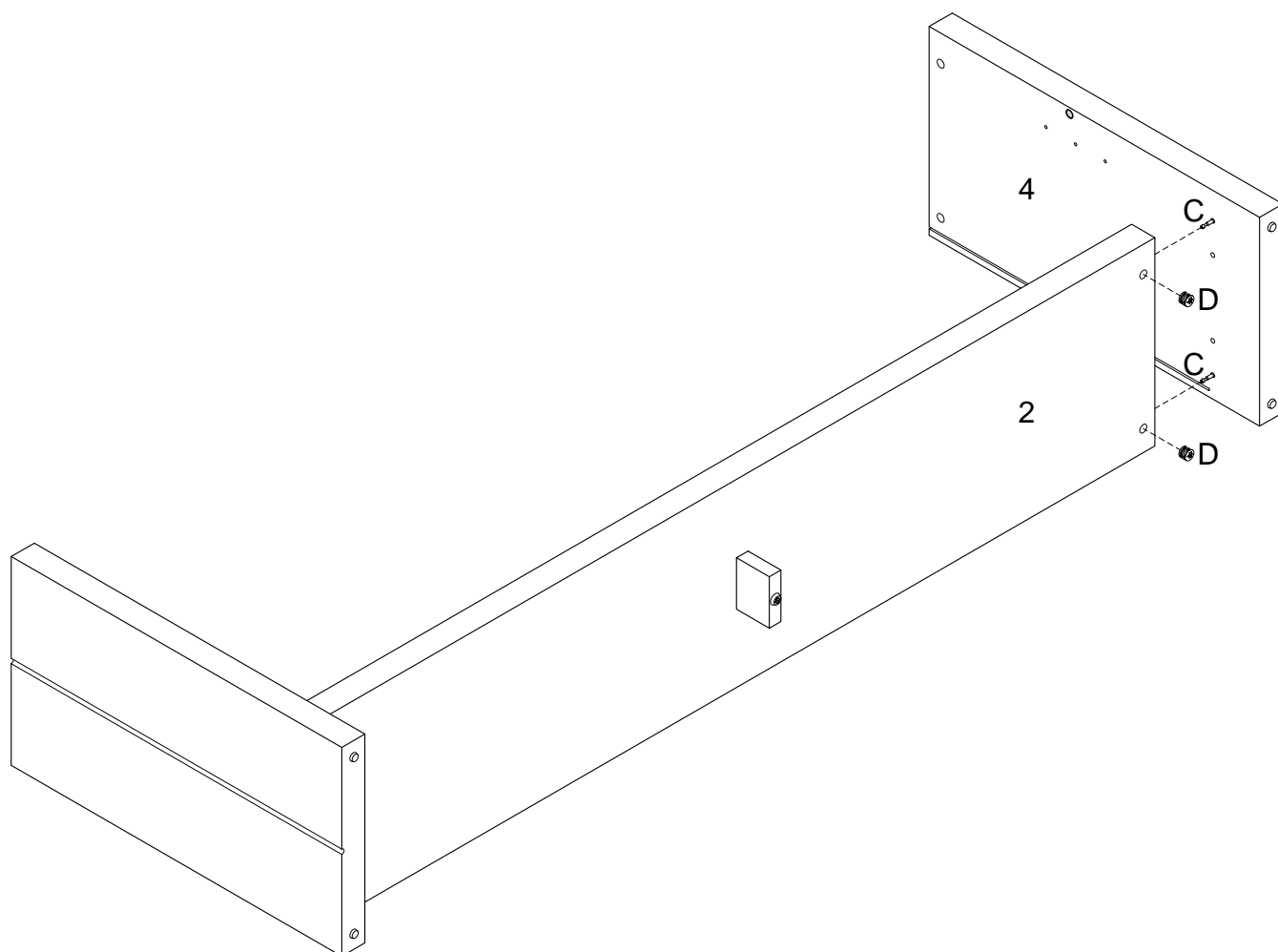
2: Fit the proper holes on the edge of the other part over the Cam Bolts. You should be able to see the cam bolts through the larger hole on the side.



3: On the back of the Cam Lock will be a "C" shape. Insert the Cam Lock so the opening of the "C" fits over the Cam Bolt. Tighten with the screwdriver.

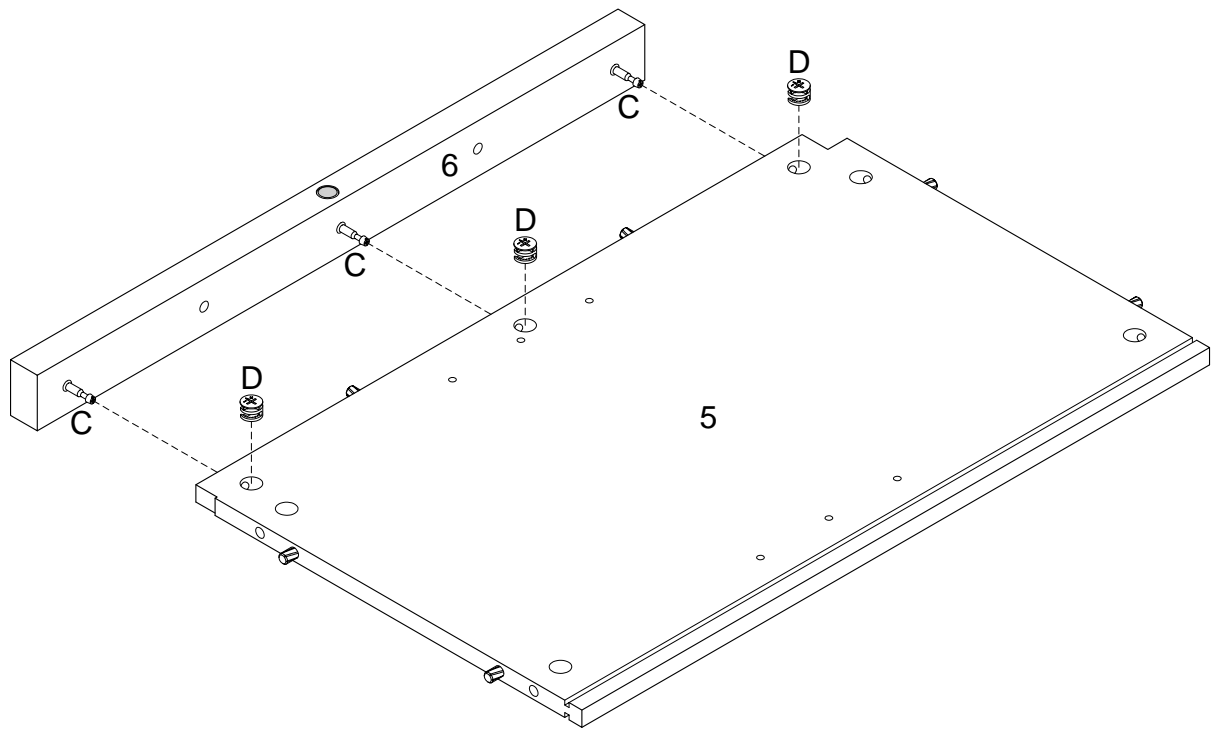
Step 7

Attach the Right Panel (4) to the other side of the Bottom Panel (2) using the cam bolts (C). Insert cam locks (D) and tighten with a screwdriver.



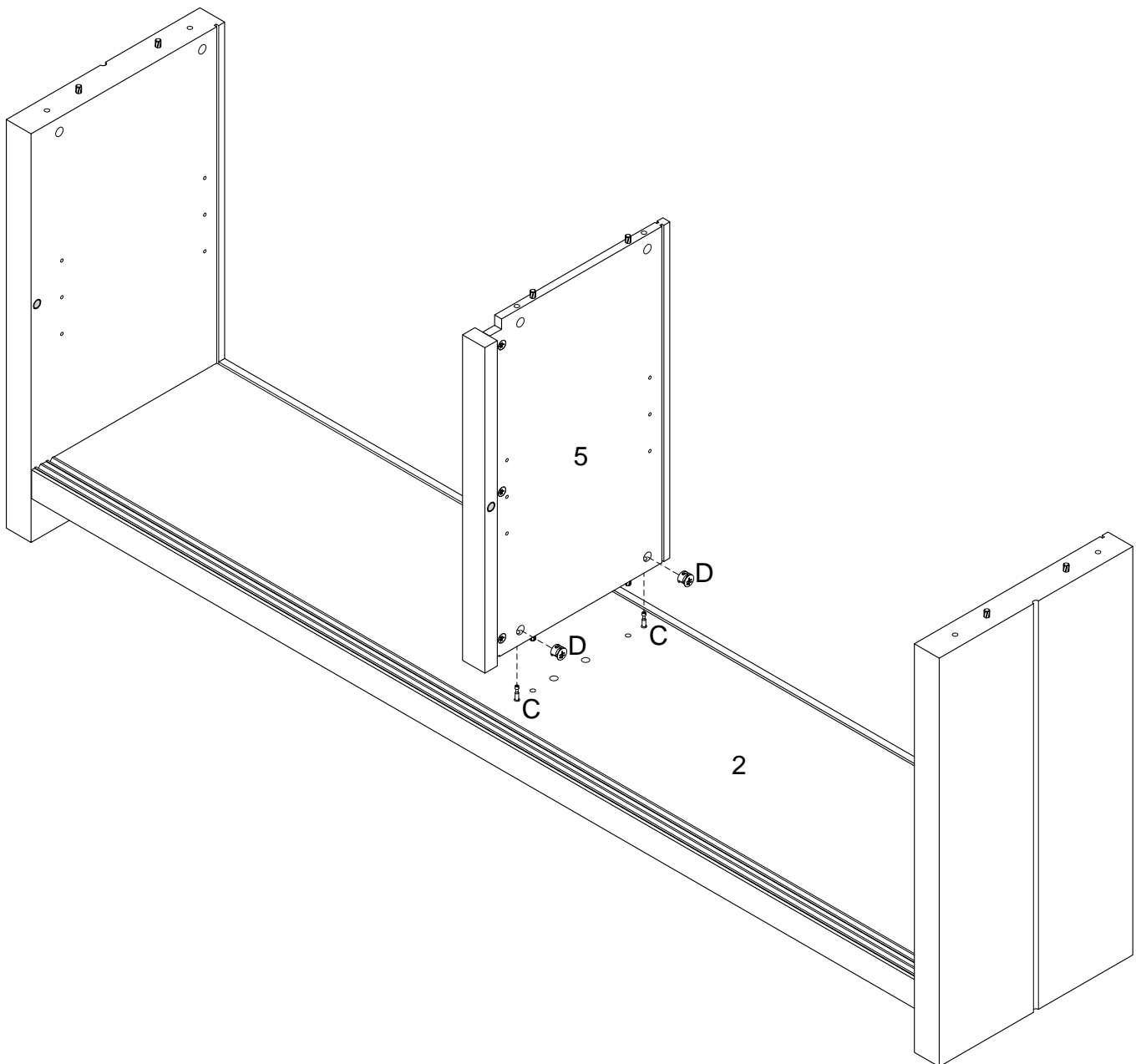
Step 8

Now, connect the Middle Mullion (6) to the Divider Panel (5) using the cam bolts (C). Insert cam locks (D) and tighten with a screwdriver.



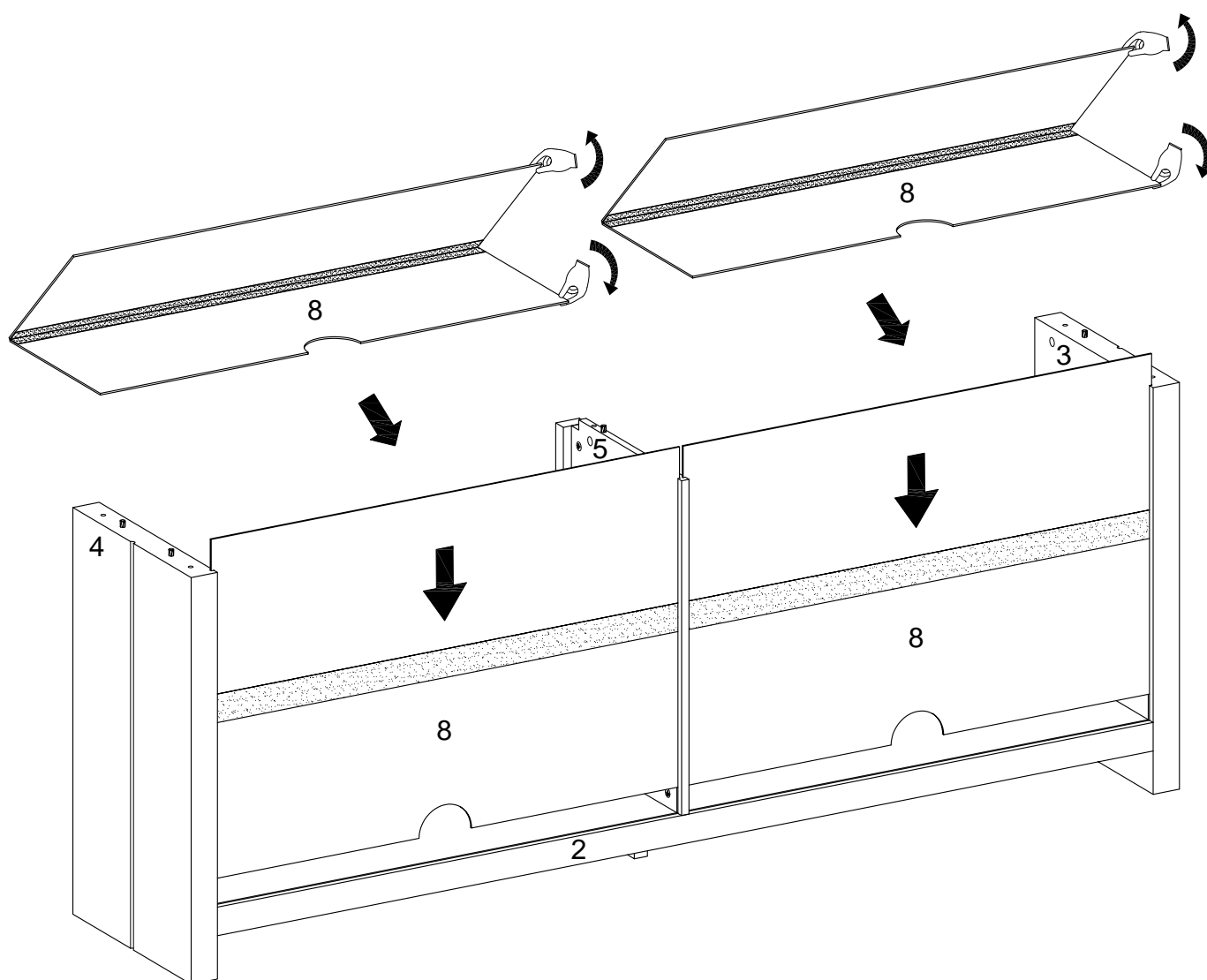
Step 9

Connect the Divider Panel (5) to the Bottom Panel (2). Insert cam locks (D) and tighten with a screwdriver.



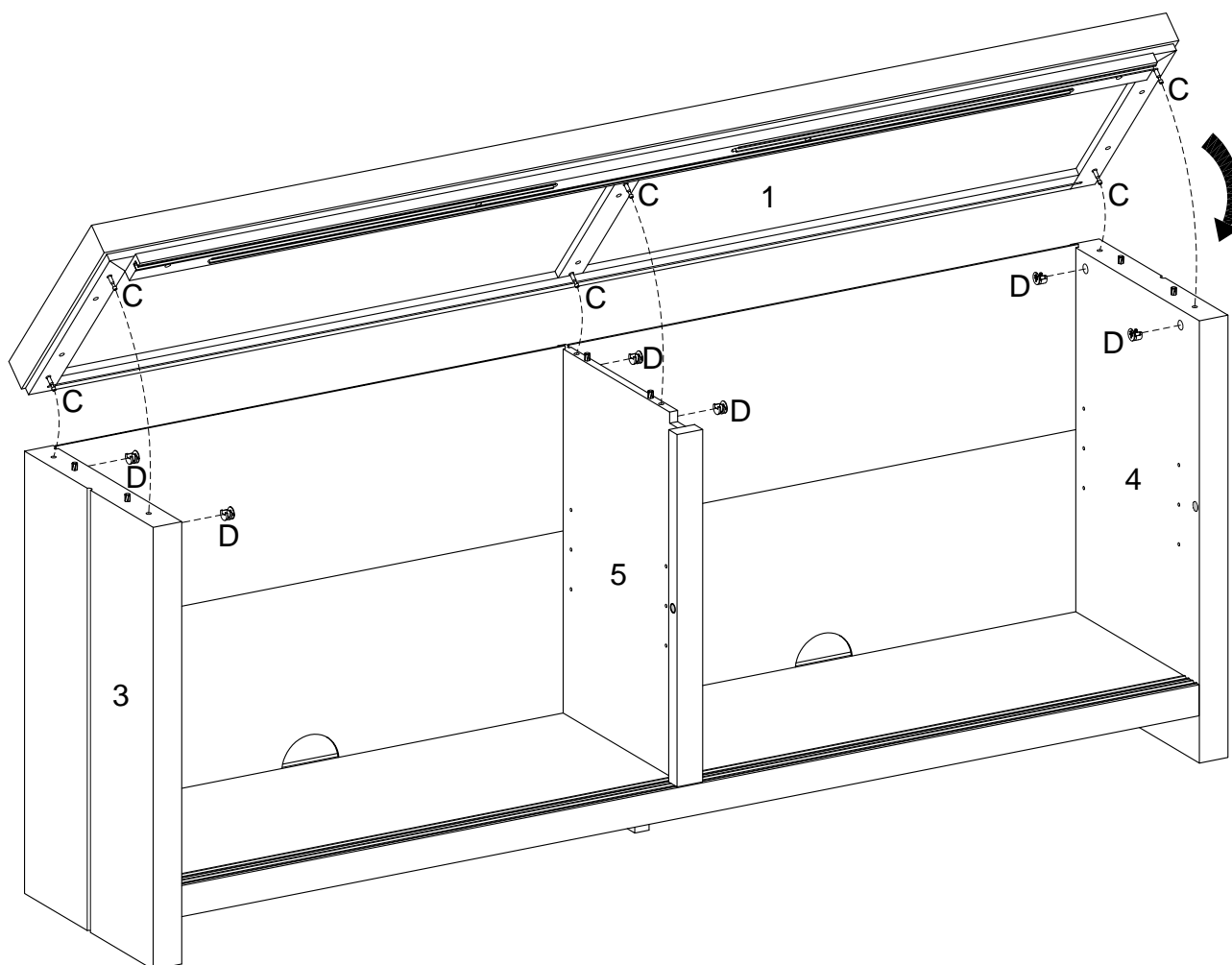
Step 10

Unfold the Back Panels (8) and slide into place using the grooves as your guide.



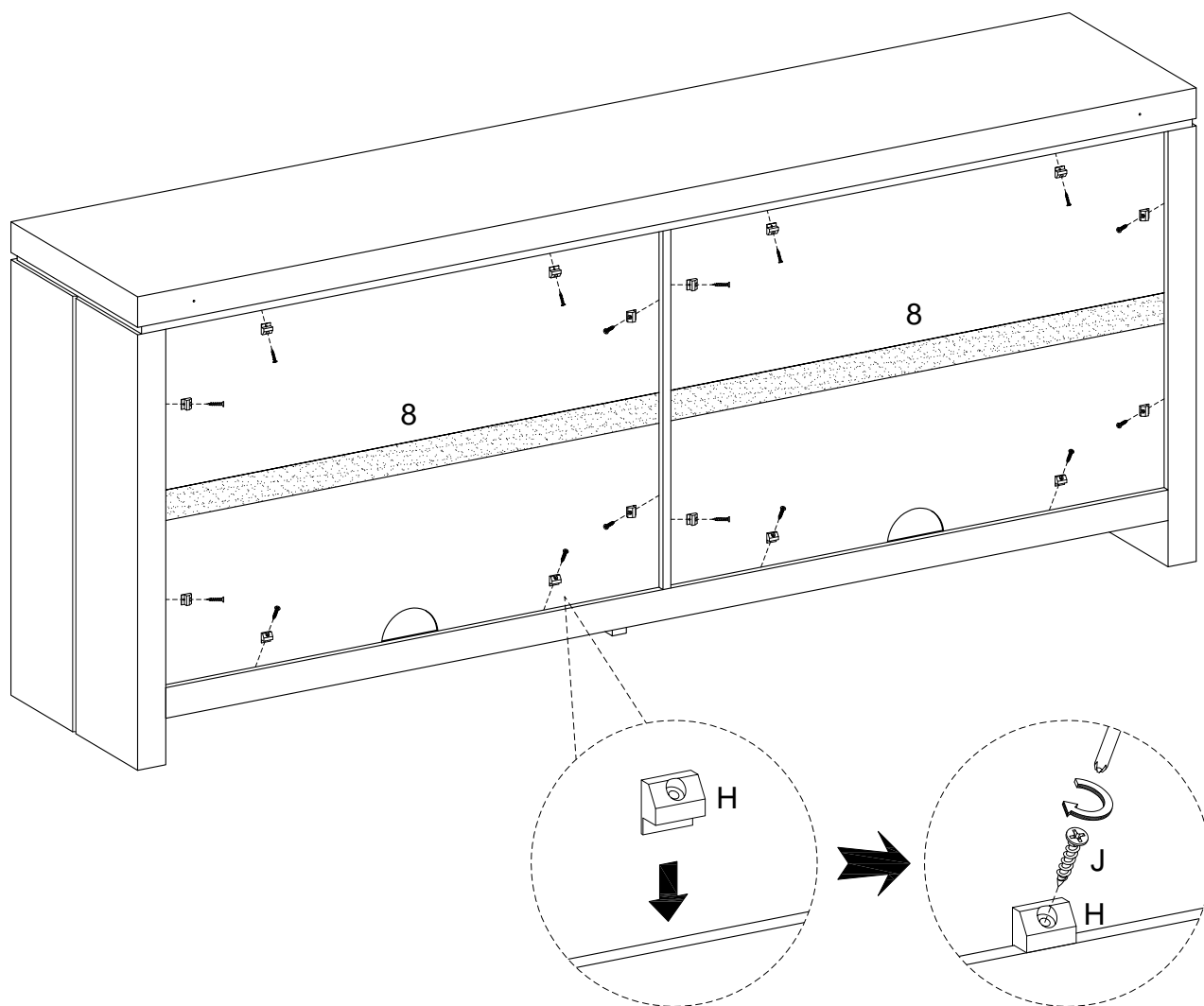
Step 11

Secure the Top Panel (1) to the rest of the unit using the cam bolts (C). Insert cam locks (D) and tighten with a screwdriver.



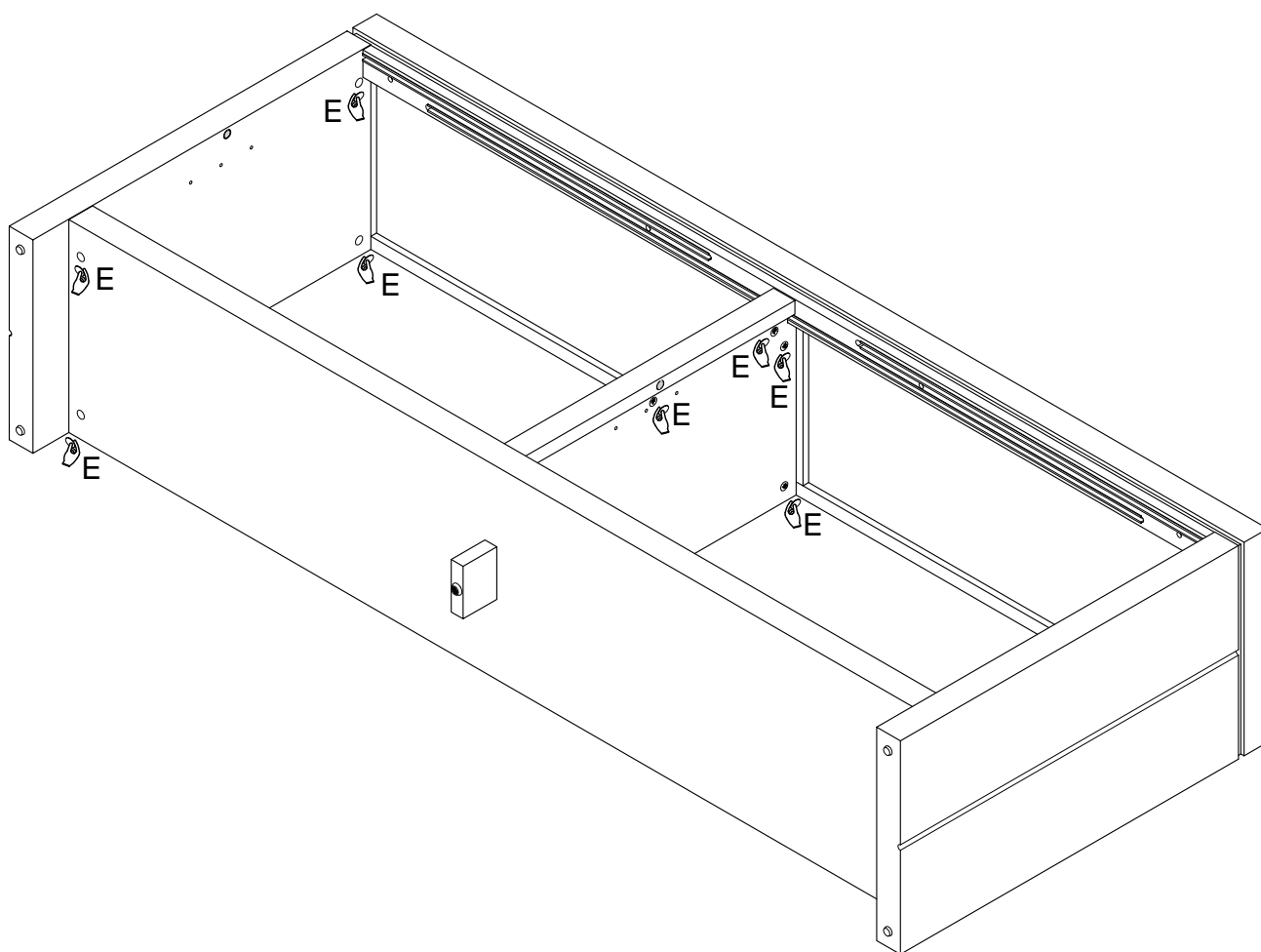
Step 12

Insert plastic wedges (H) in between the Back Panels (8) and the frame of the sideboard. Secure these in place with the (J) screws.



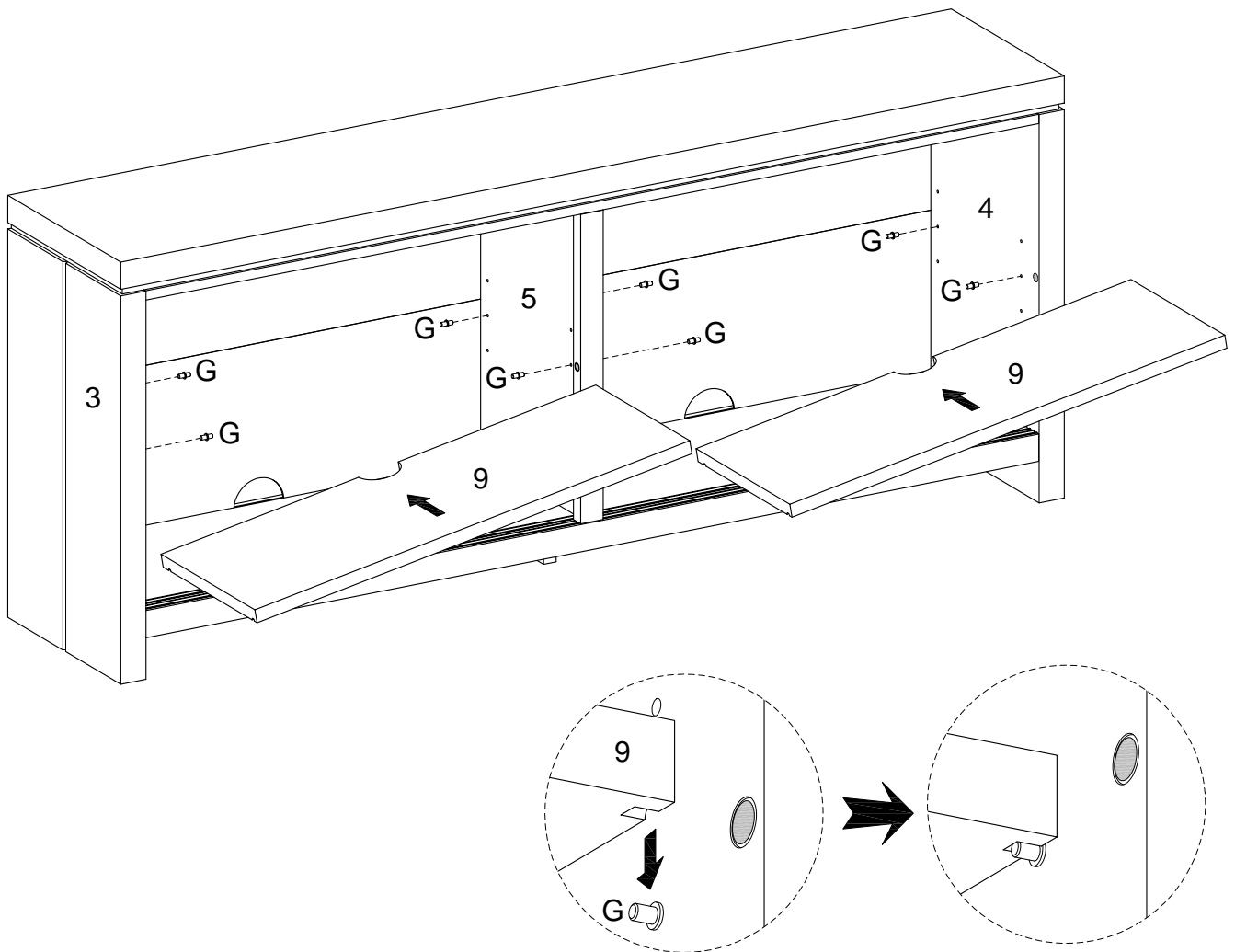
Step 13

Use the provided stickers (E) to cover each cam lock (D), ensuring a clean finish.



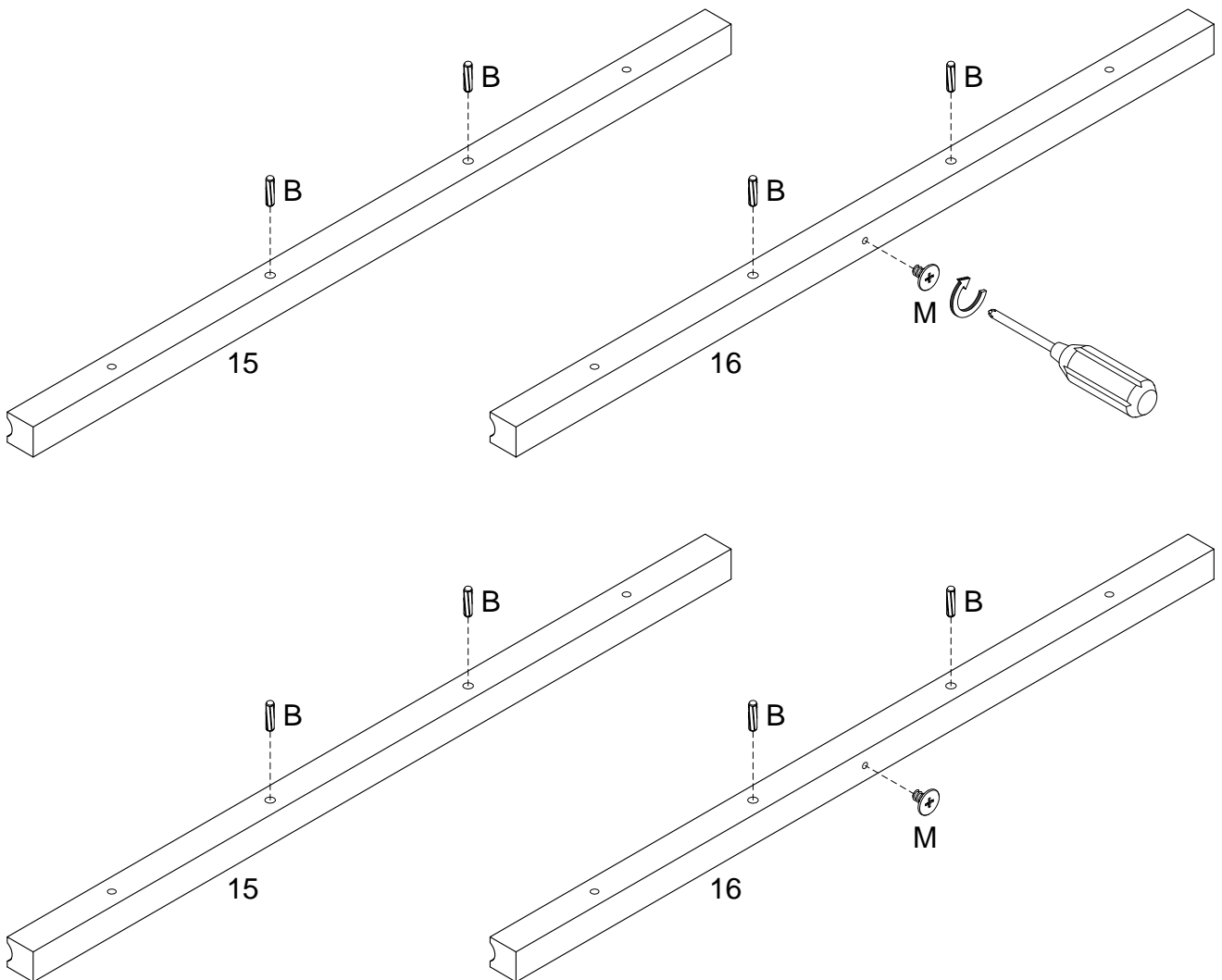
Step 14

Next, insert your shelf support pins (G) into the corresponding holes in the Left Panel (3), Divider Panel (5), and Right Panel (4). Then, slide in the Adjustable Shelves (9) ensuring that the notch in the bottom lines up with the shelf support pins (G).



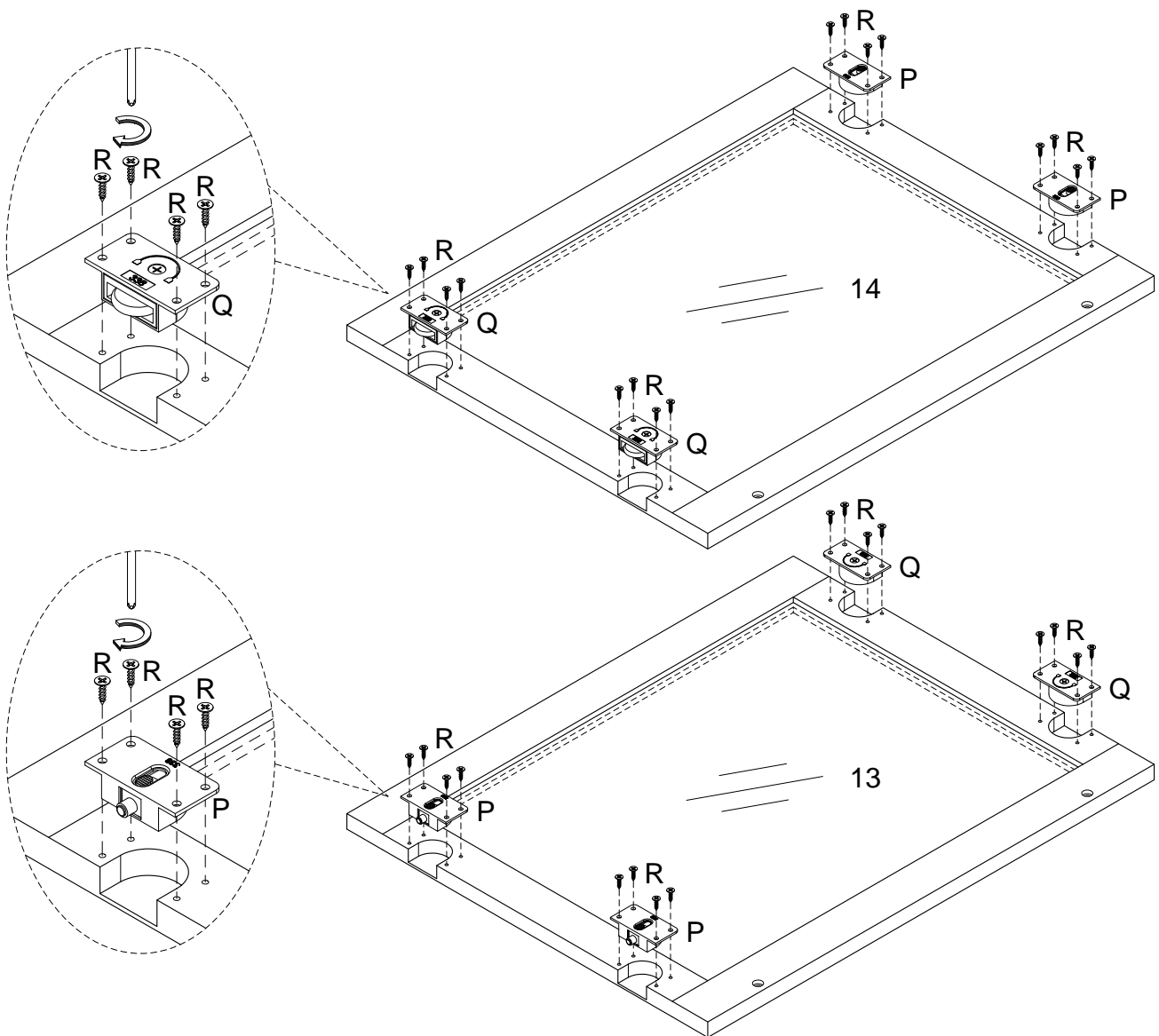
Step 15

Place an (M) screw into each Middle Wooden Handles (16). Then, insert wooden dowels (B) into the Side Wooden Handles (15) and the Middle Wooden Handles (16).



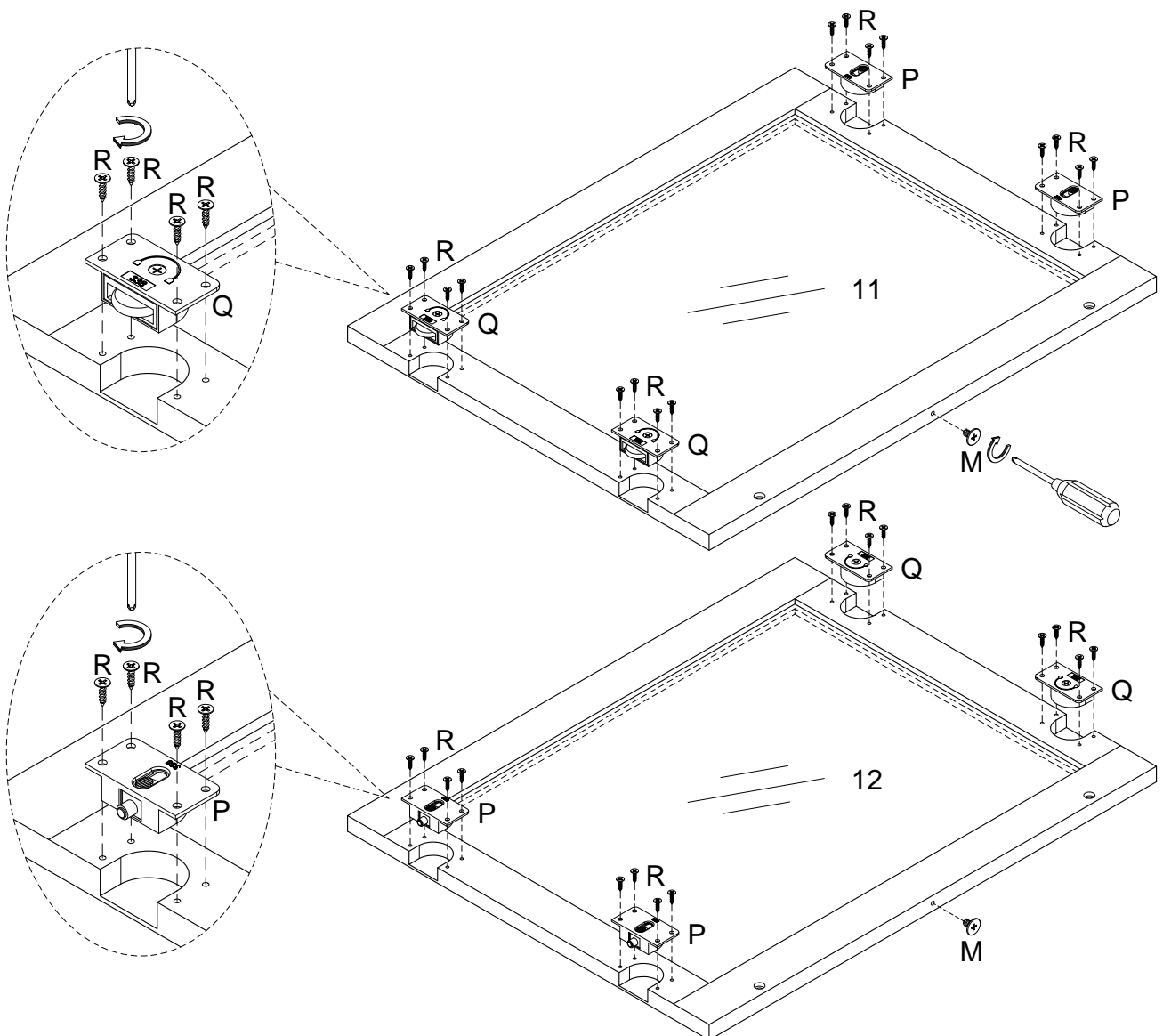
Step 16

Attach pulleys (Q) and (P) to the Middle Left Door (14) using screws (R). Then, attach pulleys (P) and (Q) to the opposite sides of the Middle Right Door (13).



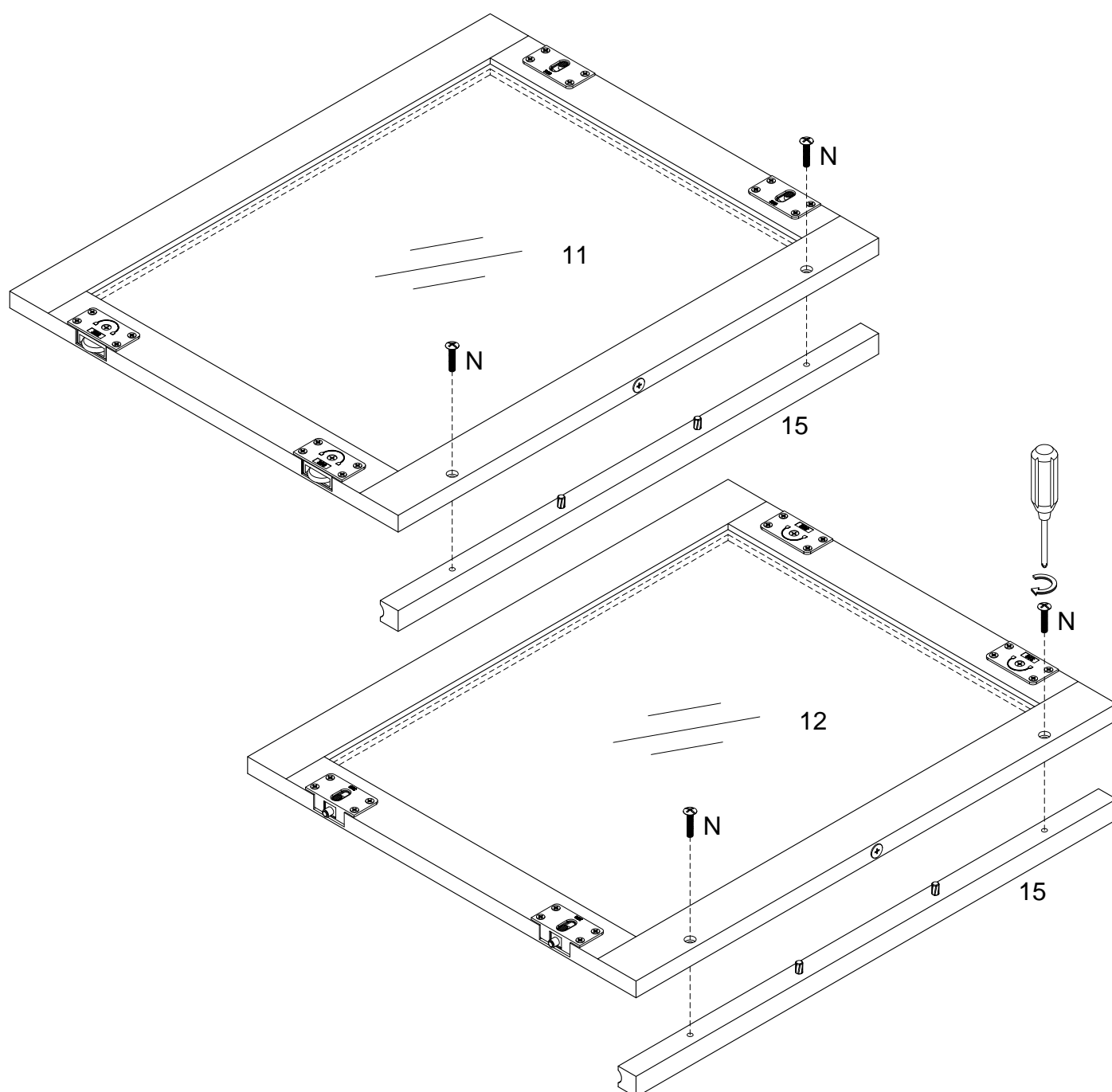
Step 17

Repeat the process for the Side Doors. Attach pulleys (Q) and (P) to the Side Left Door (11) using screws (R), then attach pulleys (P) and (Q) to the opposite sides of the Side Right Door (12). Finally, insert an (M) screw into the side of both the Side Left Door (11) and the Side Right Door (12).



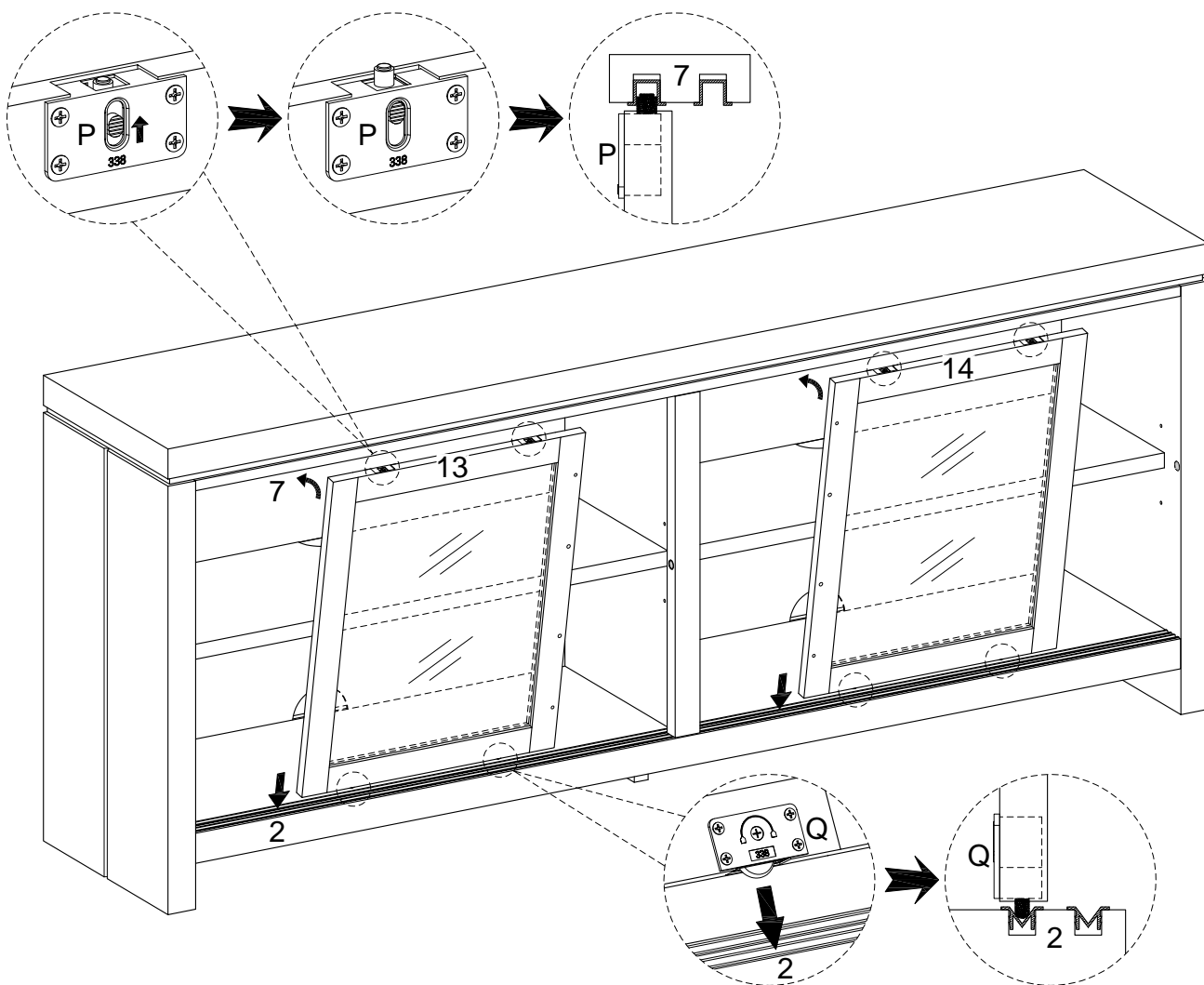
Step 18

Attach a Side Wooden Handle (15) to both the Side Left Door (11) and the Side Right Door (12) using the (N) screws.



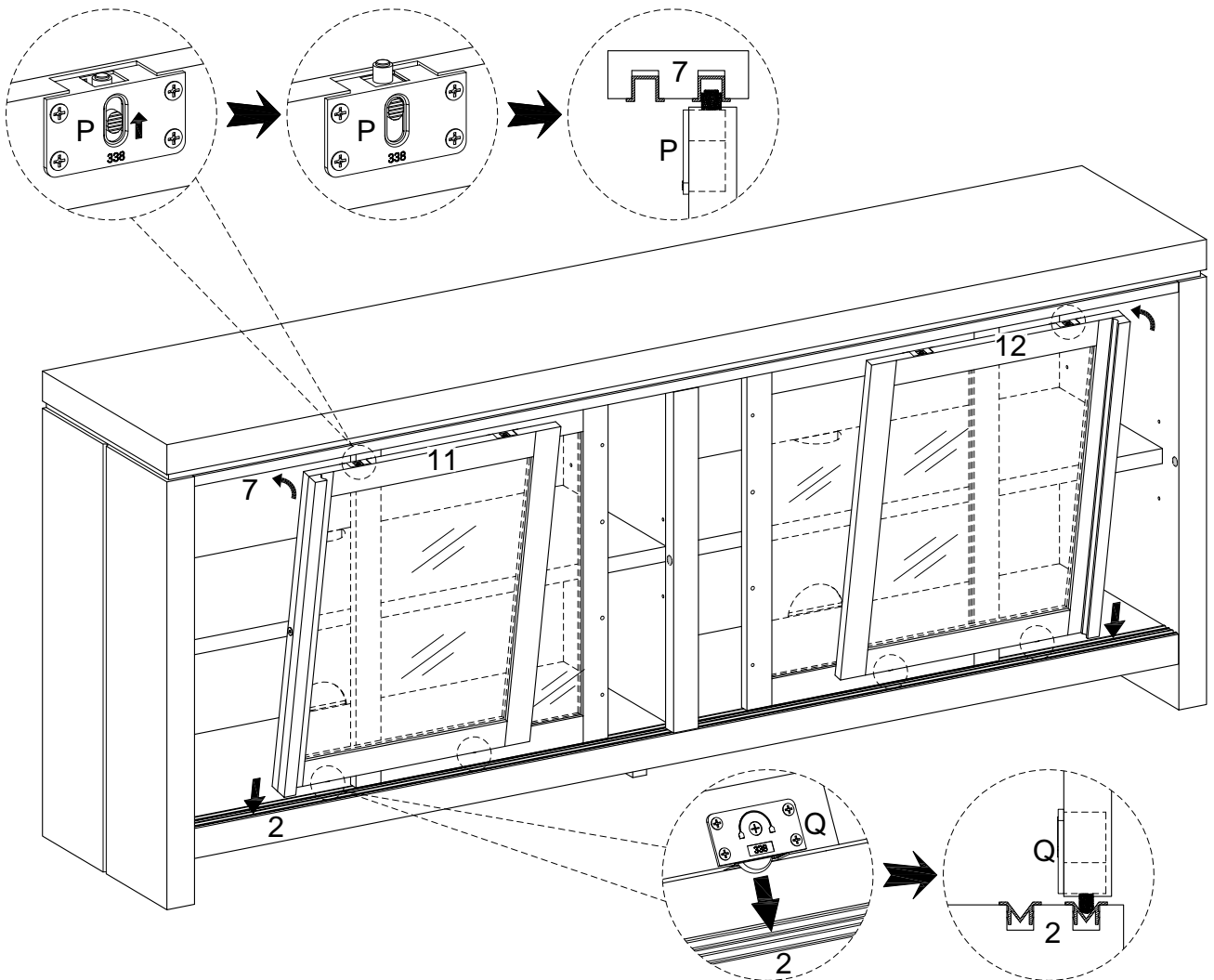
Step 19

Insert the Middle Right Door (13) and the Middle Left Door (14) ensuring that the piece in each pulley (P) and (Q) fits into the back groove in the Top Rail (7) and the Bottom Panel (2).



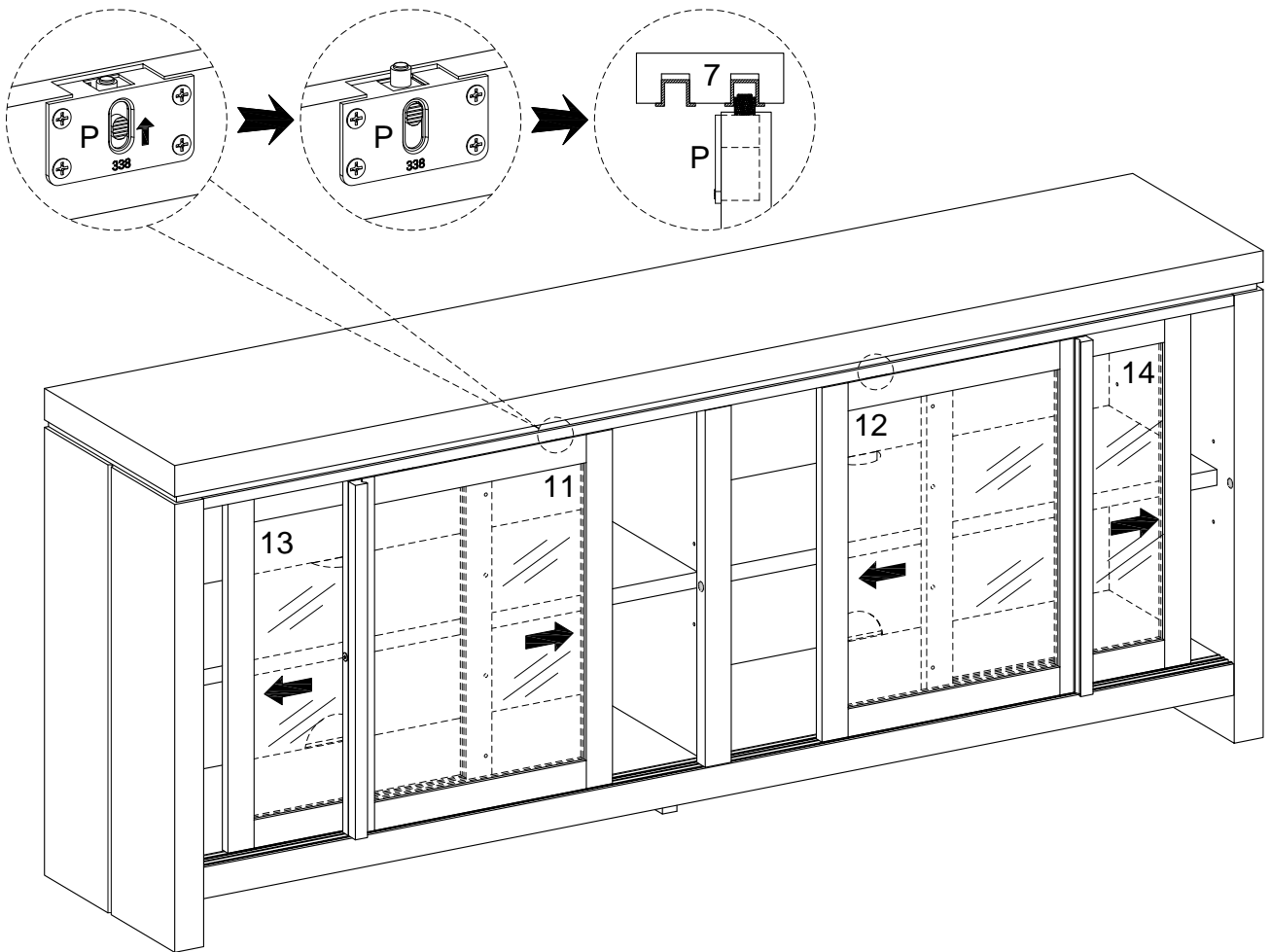
Step 20

Repeat the process for the Side Doors! Insert the Side Right Door (12) and the Side Left Door (11) ensuring that the piece in each pulley (P) and (Q) fits into the front groove in the Top Rail (7) and the Bottom Panel (2).



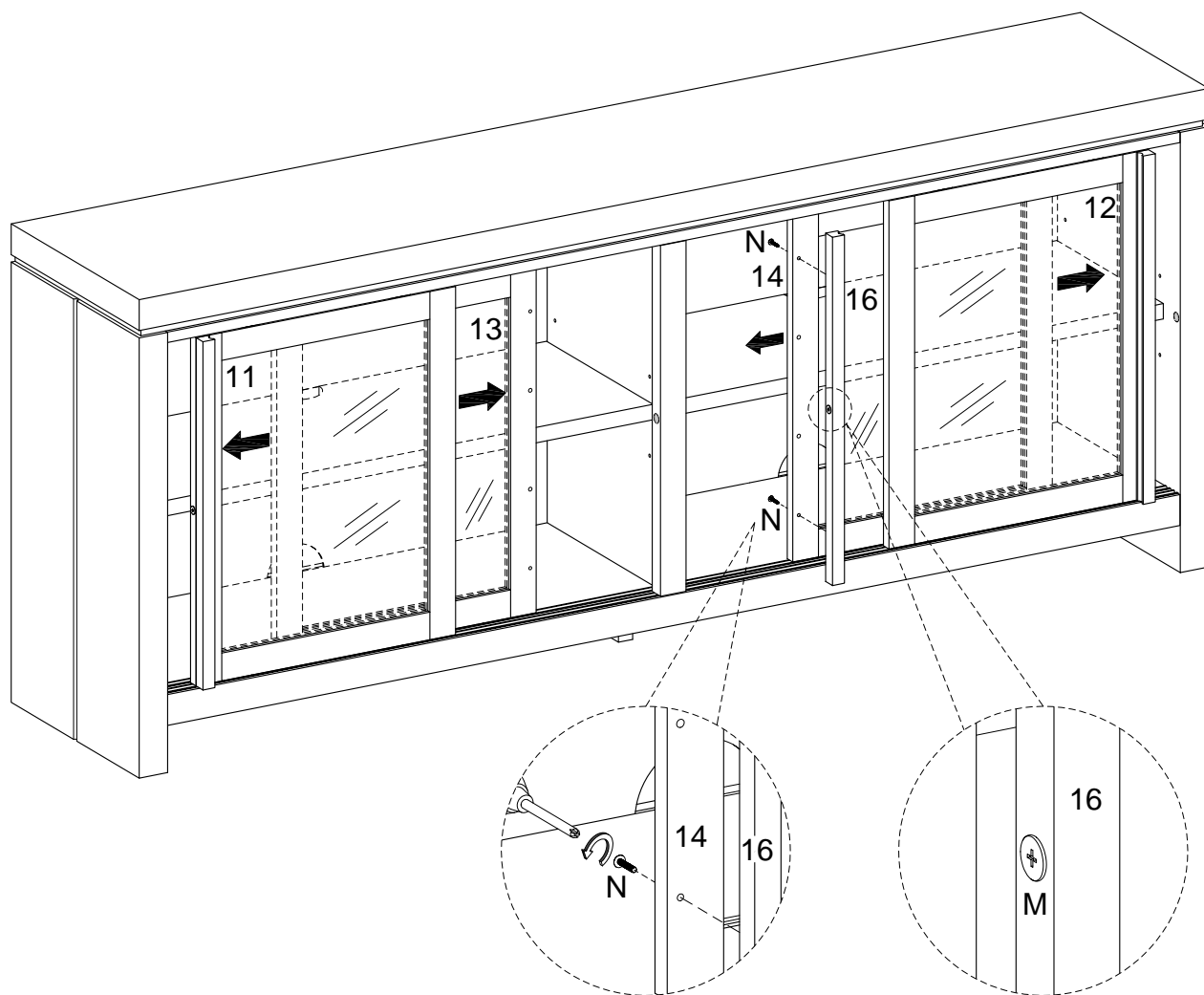
Step 21

The Middle Right Door (13) and the Middle Left Door (14) should sit behind the Side Right Door (12) and the Side Left Door (11). Ensure that the pulley (P) locks into place.



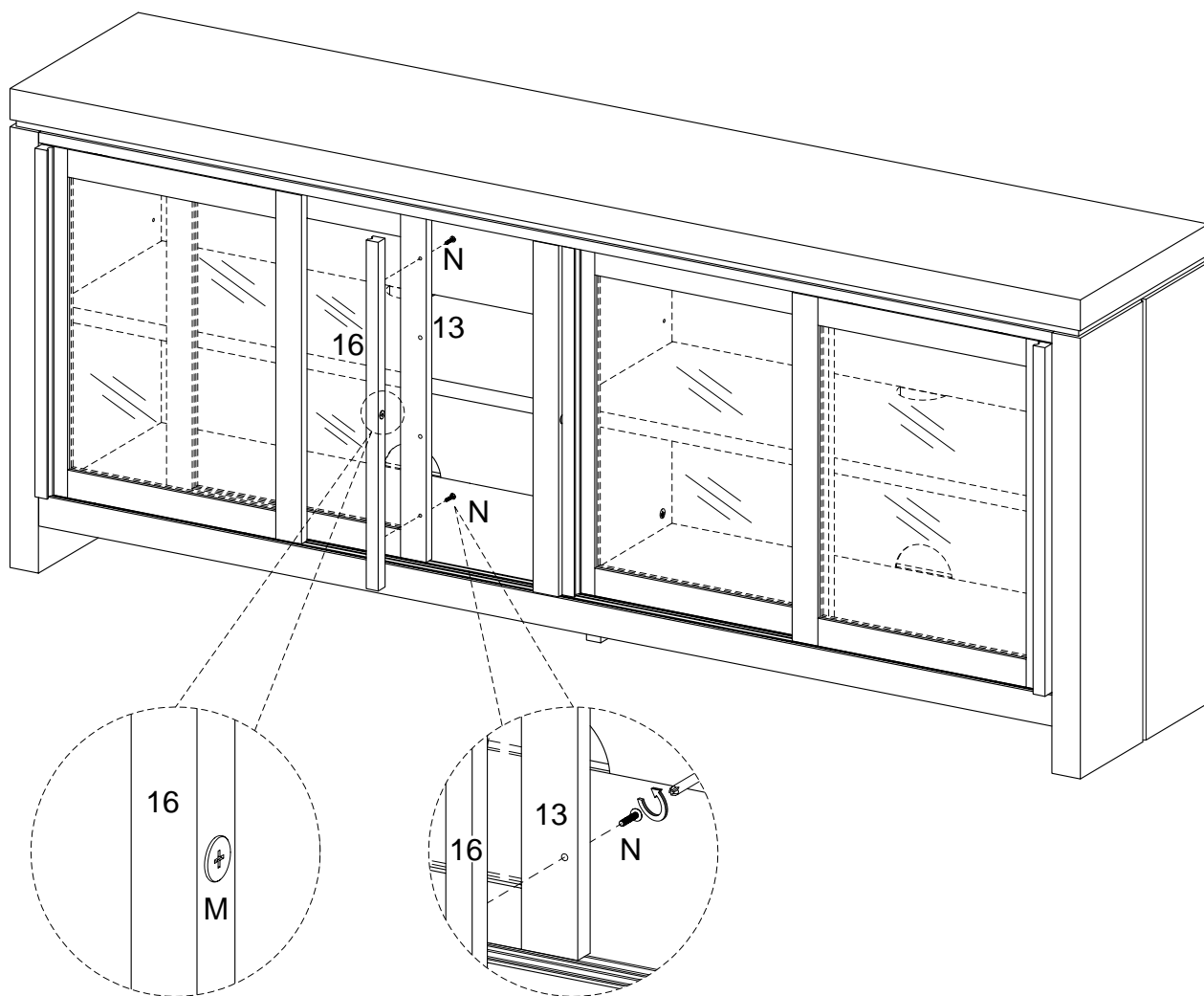
Step 22

Secure a Middle Wooden Handle (16) to the Middle Left Door (14) using the (N) screws.



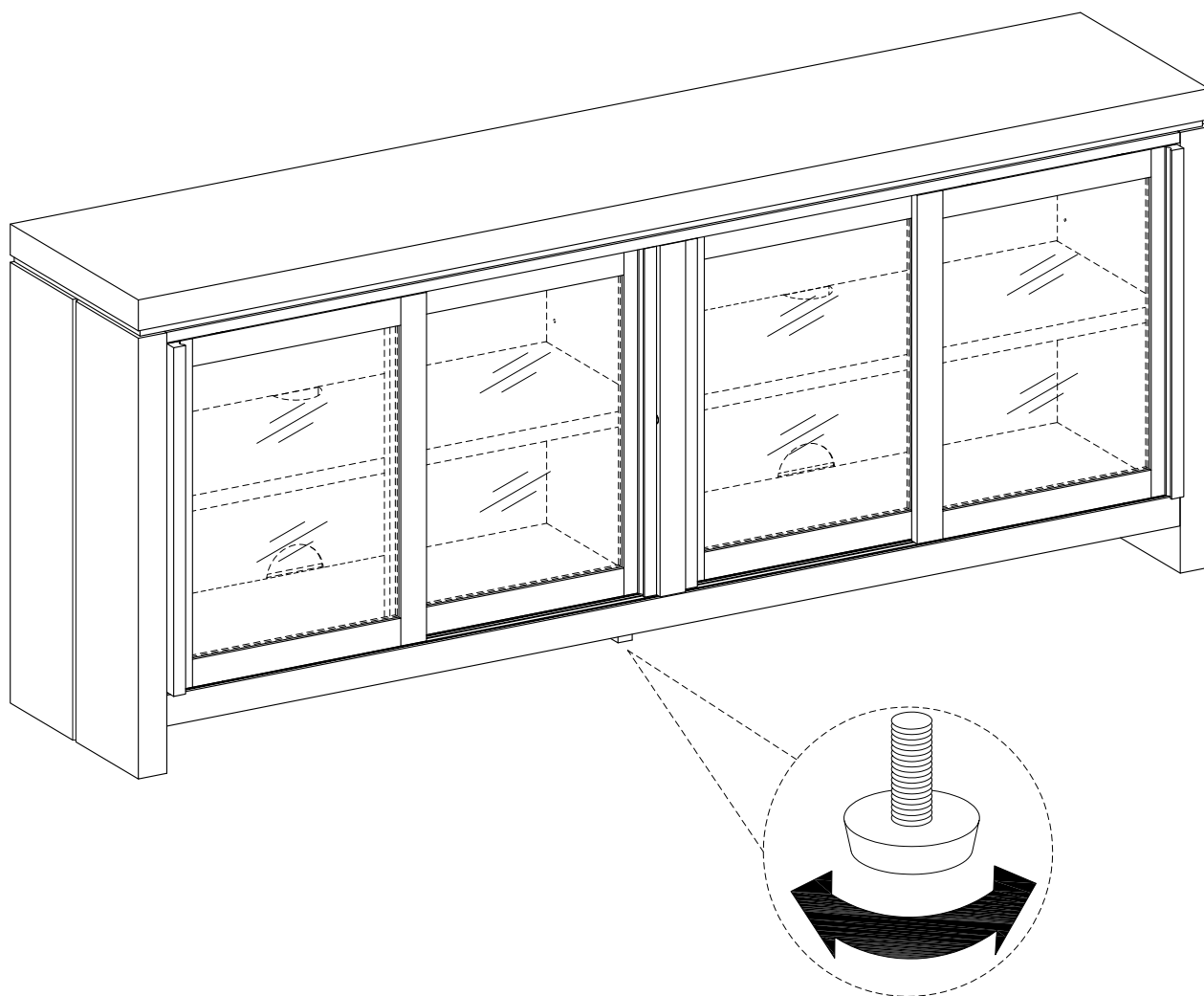
Step 23

Secure the other Middle Wooden Handle (16) to the Middle Right Door (13) using the (N) screws.



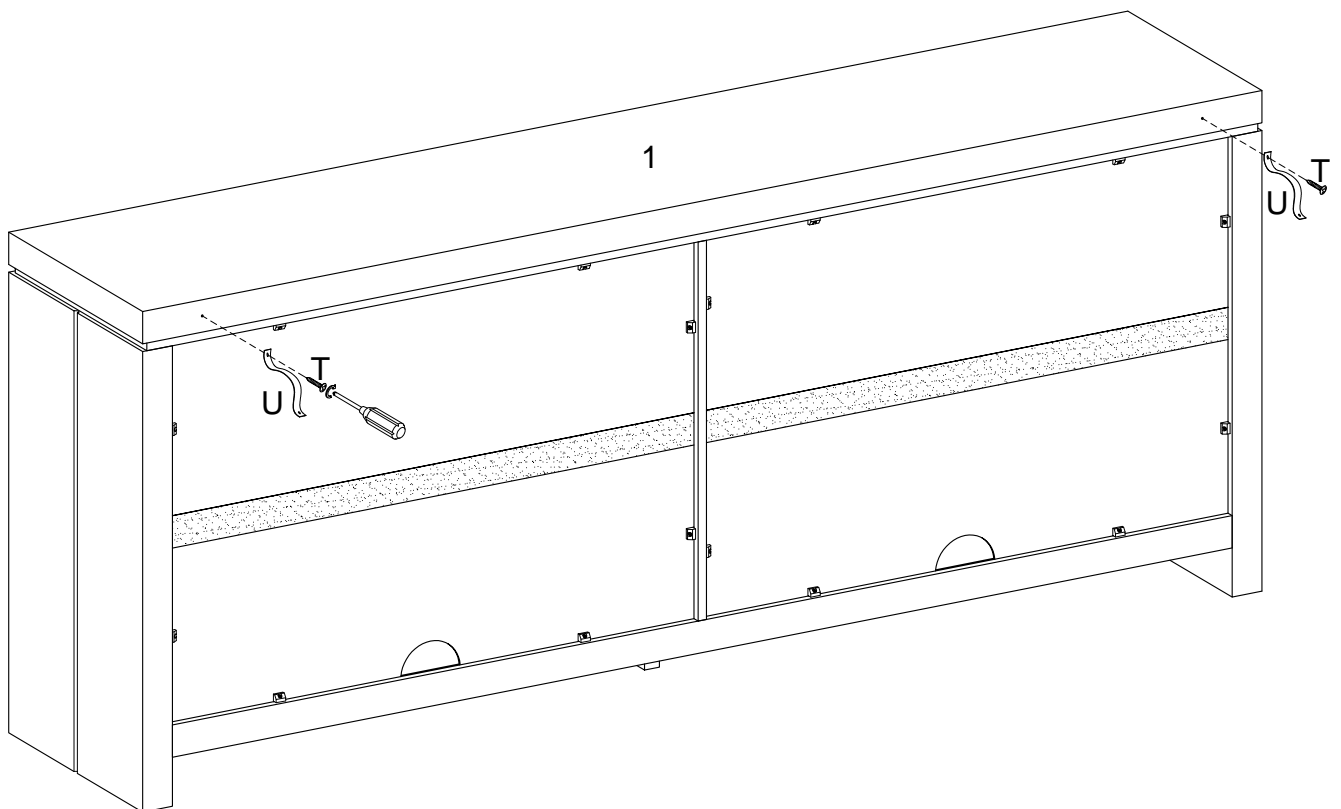
Step 24

Ensure your sideboard is level by adjusting the leveler on the bottom of the Middle Foot (10).



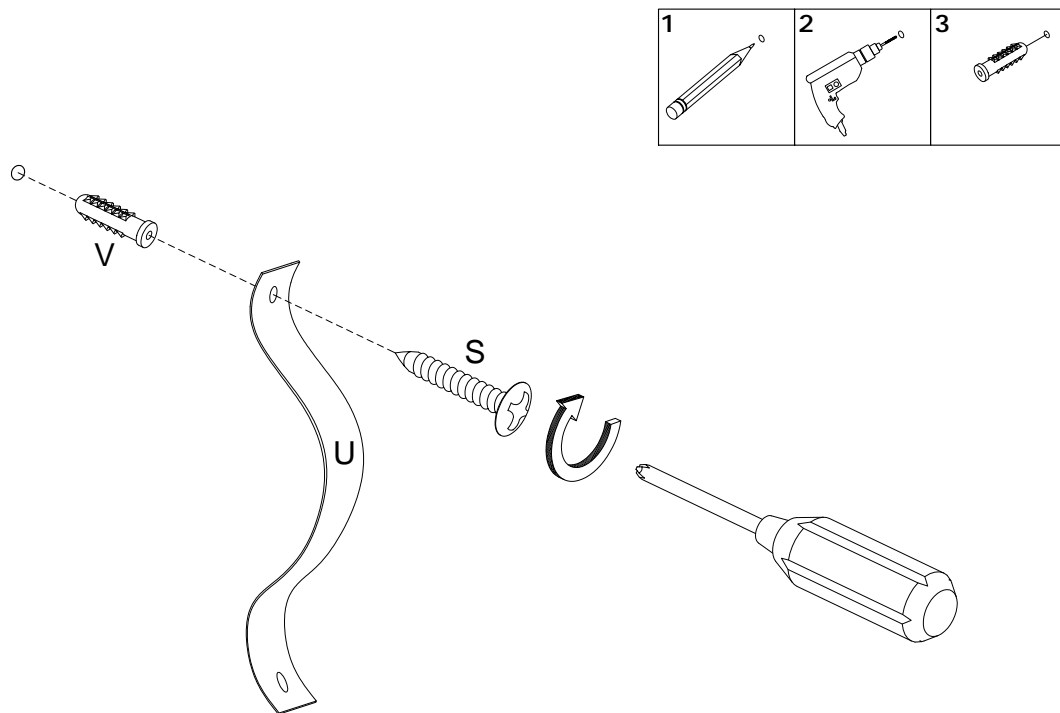
Step 25

Attach both plastic straps (U) to the back of the sideboard using the (T) screws.



Step 26

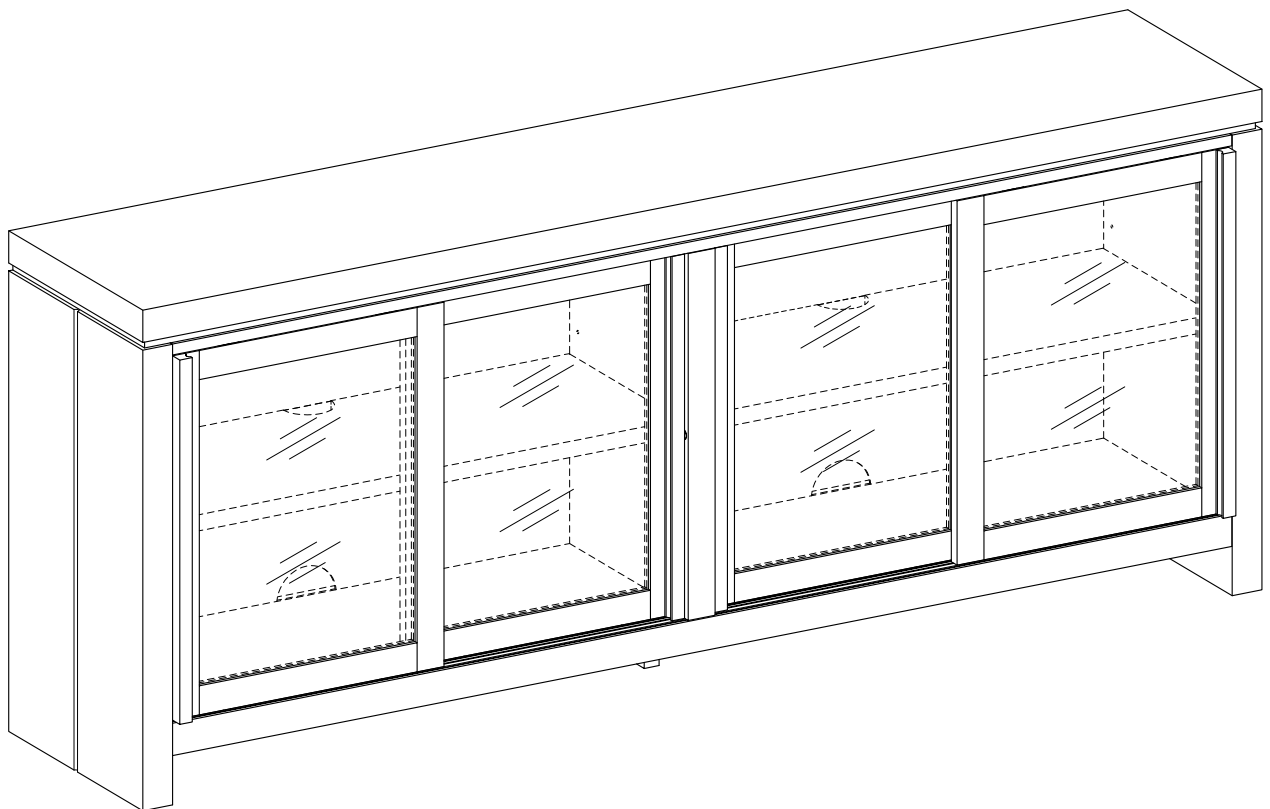
Secure your sideboard to the wall using the (S) screw, the other side of the plastic strap (U), and the anchor (V).



Warning

Serious or fatal injuries can occur from furniture tipping over. To prevent the furniture from tipping over we recommend that it is permanently fixed to the wall. Wall anchor and hardware are included with this product. Please make sure hardware is suitable for your walls before installing, as different wall materials may require different types of anchors.

Final Assembly



Congratulations on your new piece of furniture!

We would love to hear about it and see it.
Please leave us a review or post a picture with
#mywalkerredisonhome

Assembling furniture can be tricky sometimes.

Our customer service team, located in Utah, is here for product information, help assembling a product, or for any other customer support issue

Call us at **801-433-3008**

Email us at service@walkeredison.com

Visit our Customer Service website at walkeredison.com/pages/customer-service

We are available to help Monday -Thursday 8am-5pm, Friday 8am-3pm MST

For details on Assembly Videos, Assembly Instructions, Replacement Parts, and Customer service,
SCAN HERE

