

## ASSEMBLY INSTRUCTION



**ASSEMBLY INSTRUCTION**

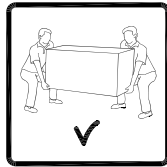
**ASSEMBLY TIPS :**

- 1.Remove hardware from box and sort by size.
- 2.Please check to see that all hardware and parts are present prior to start of assembly.
- 3.Please follow attached instructions in the same sequence as numbered to assure fast & easy assembly.



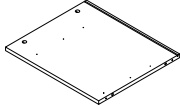
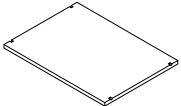
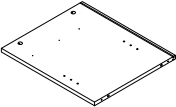
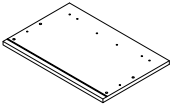
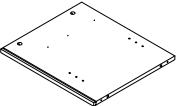
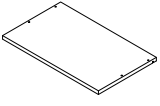
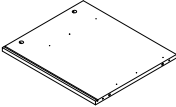
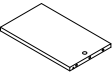
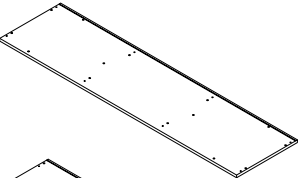
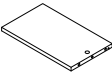
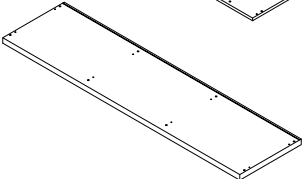
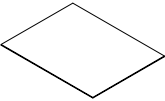
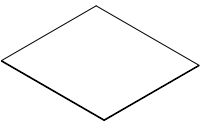

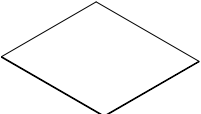
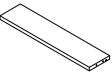
**Warning !**

- 1.Don't attempt to repair or modify parts that are broken or defective.Please contact the store immediately.
- 2.This product is for home use only and not intended for commercial establishment.



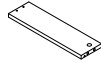
**ASSEMBLY TIME PER UNIT: 120 MINUTES**

**PARTS IDENTIFICATION:**

(A) LEFT SIDE PANEL		1PC	(I) ADJUSTABLE SHELF		1PC
(B) LEFT DIVIDER PANEL		1PC	(J) LARGE DRAWER FRONT PANEL		2PCS
(C) RIGHT DIVIDER PANEL		1PC	(K) LARGE DRAWER BACK PANEL		2PCS
(D) RIGHT SIDE PANEL		1PC	(L) LARGE LEFT DRAWER SIDE PANEL		2PCS
(E) BOTTOM PANEL		1PC	(M) LARGE RIGHT DRAWER SIDE PANEL		2PCS
(F) TOP PANEL		1PC	(N) DRAWER BOTTOM PANEL		5PCS
(G) MIDDLE BACK PANEL		1PC	(O) SMALL DRAWER FRONT PANEL		3PCS
(H) BACK PANEL		2PCS	(P) SMALL DRAWER BACK PANEL		3PCS

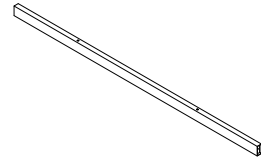
## ASSEMBLY INSTRUCTION

(Q) SMALL LEFT DRAWER SIDE PANEL



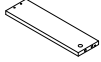
3PCS

(S) CROSS BAR



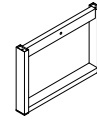
1PC

(R) SMALL RIGHT DRAWER SIDE PANEL



3PCS

(T) FOOT



2PCS

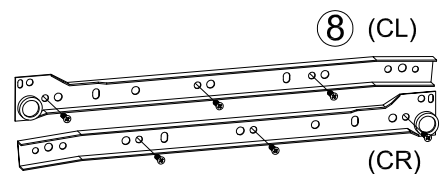
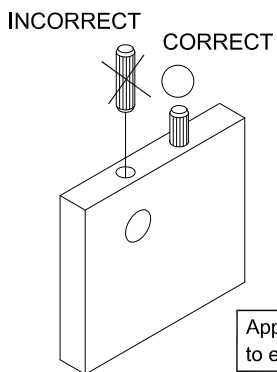
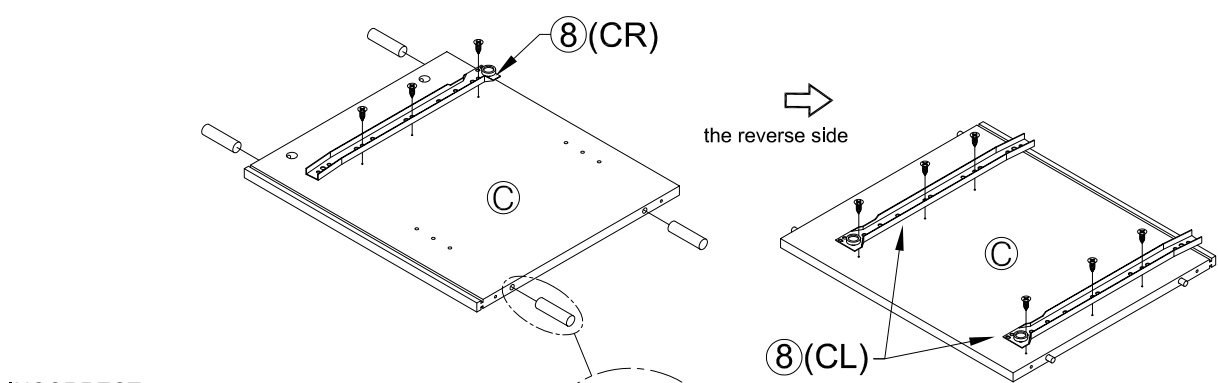
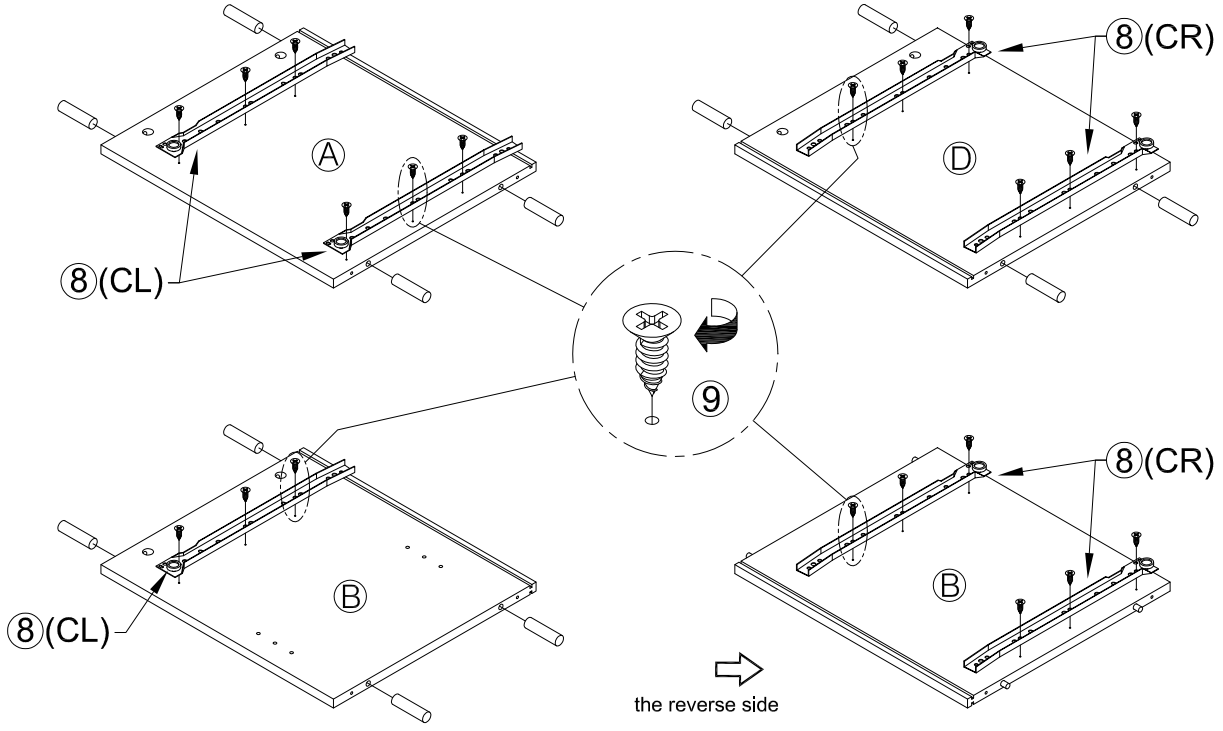
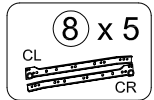
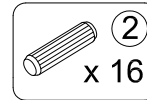
Z HARDWARE PACKAGE							
NO	DESCRIPTION	FIGURE	Q'TY	NO	DESCRIPTION	FIGURE	Q'TY
1	GLUE 40g		1PC	10	HANDLE L=106mm		5PCS
2	WOODEN DOWEL ø8x30mm		30PCS	11	HANDLE BOLT ø4x23mm		10PCS
3	CAM BOLT ø7x35.5mm		18PCS	12	BOLT M6x43mm		8PCS
4	CAM LOCK ø15x12mm		18PCS	13	ALLEN WRENCH		1PC
5	LONG SCREW ø4.5x42mm		8PCS	14	IRON BAR ø4.8x355mm		4PCS
6	SCREW ø4.3x35mm		20PCS	15	FIXER		4PCS
7	PIN ø4.9x8mm		4PCS	16	FIXER SCREW ø3x19mm		4PCS
8	GLIDES L = 350mm		5SET	17	STICKER ø20mm		3PCS
9	SHORT SCREW ø3x10mm		60PCS				

Z8,Z10,Z14 not included in blister packaging.

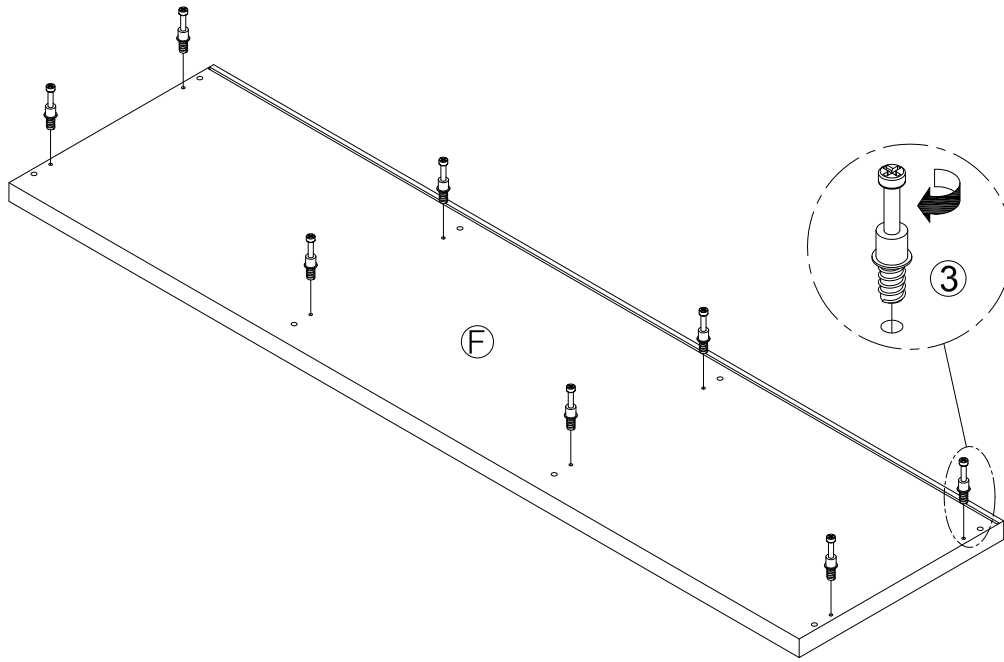
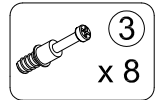
Z HARDWARE PACKAGE							
NO	DESCRIPTION	FIGURE	Q'TY	NO	DESCRIPTION	FIGURE	Q'TY
18	ANTI-TIP STRAP 170x15mm		2PCS	20	WALL SCREW ø4x25mm		2PCS
19	WALL PLUG 6x30mm		2PCS	21	SCREW ø4x16mm		2PCS

# ASSEMBLY INSTRUCTION

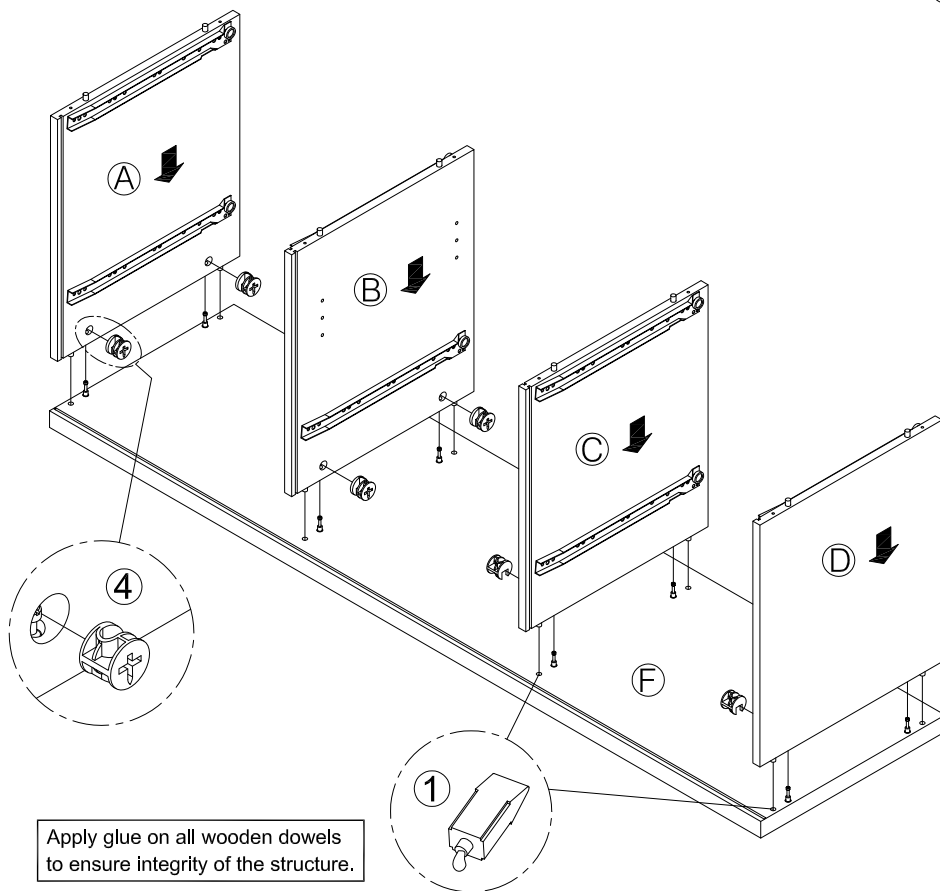
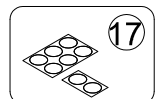
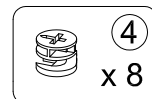
STEP 1 :



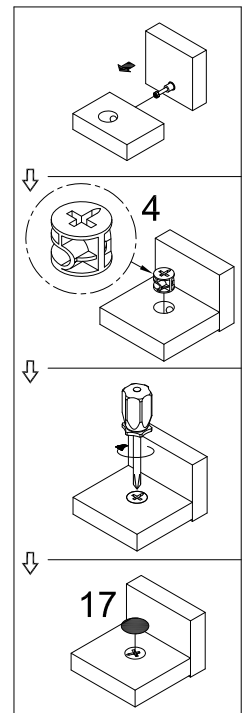
STEP 2 :



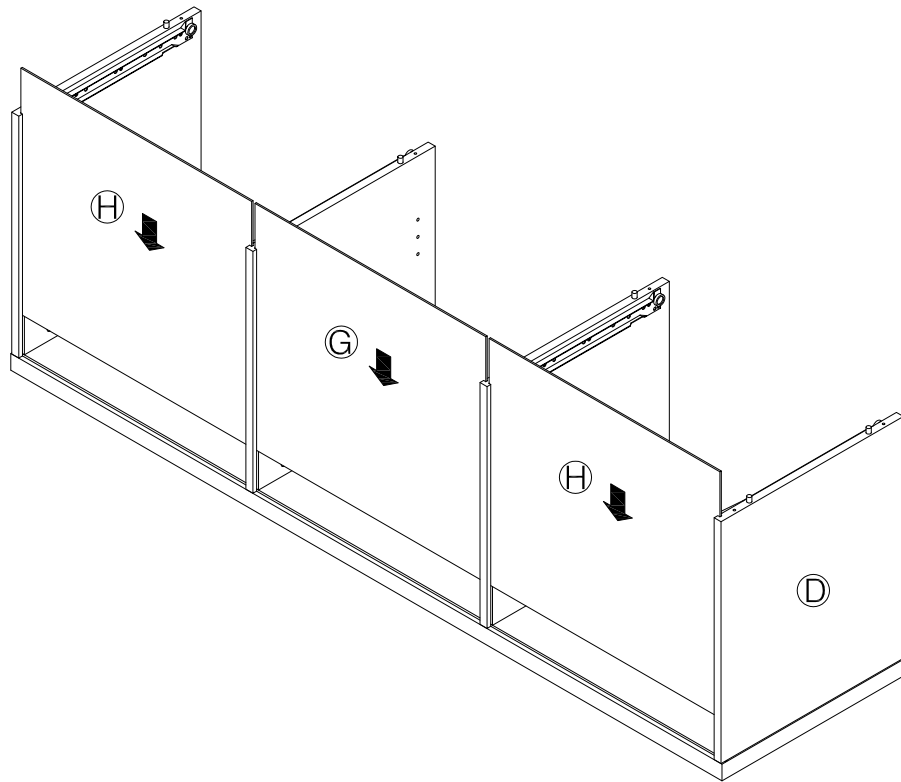
STEP 3 :



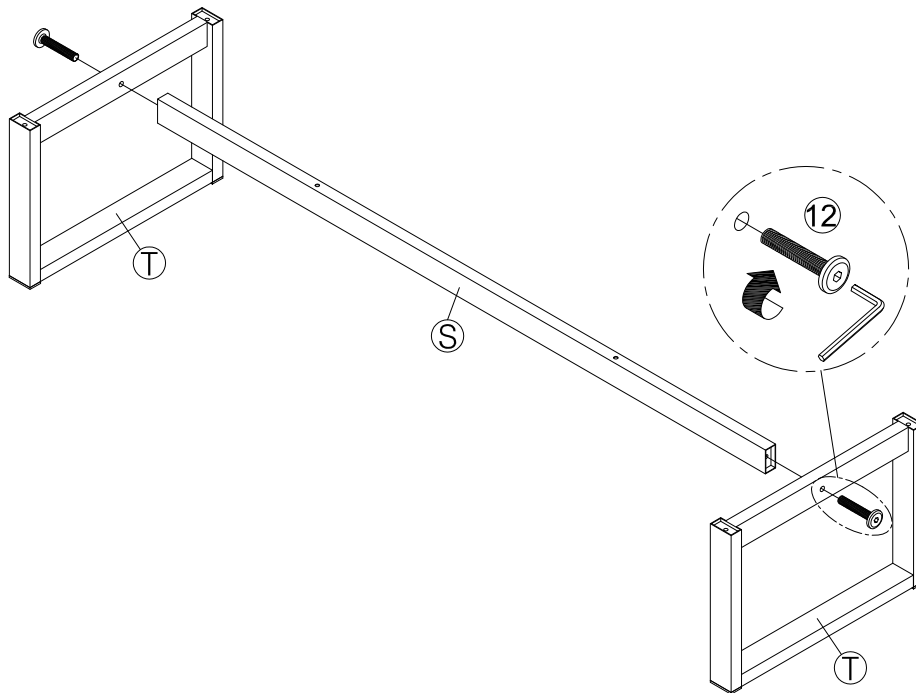
Apply glue on all wooden dowels to ensure integrity of the structure.



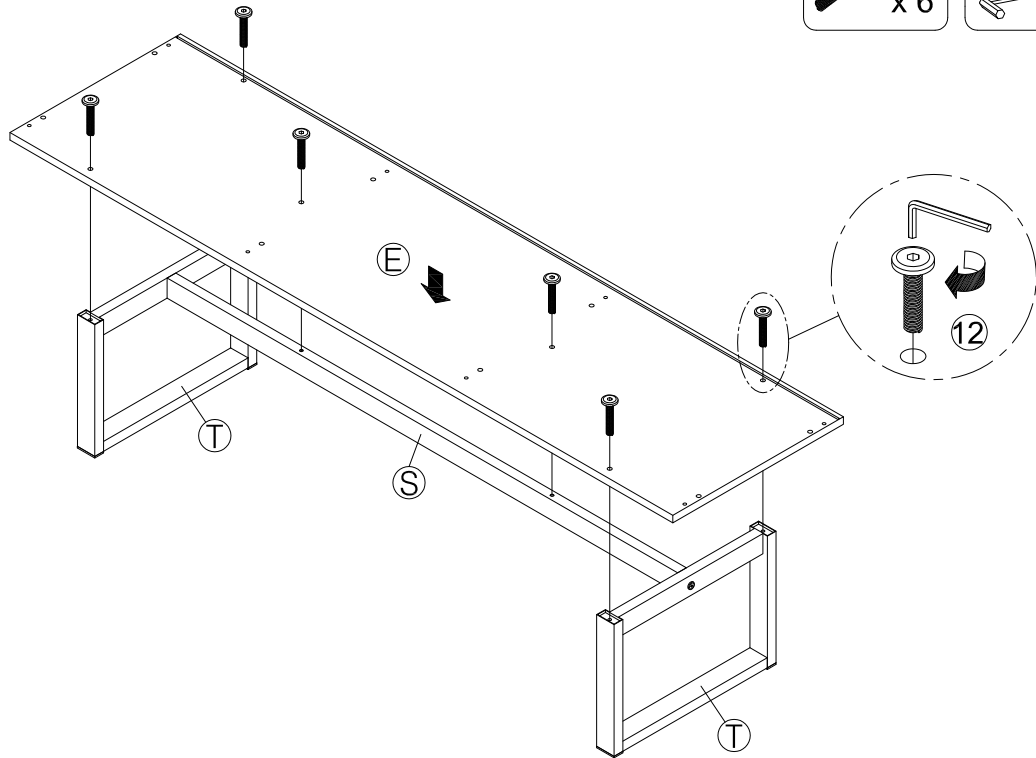
STEP 4 :



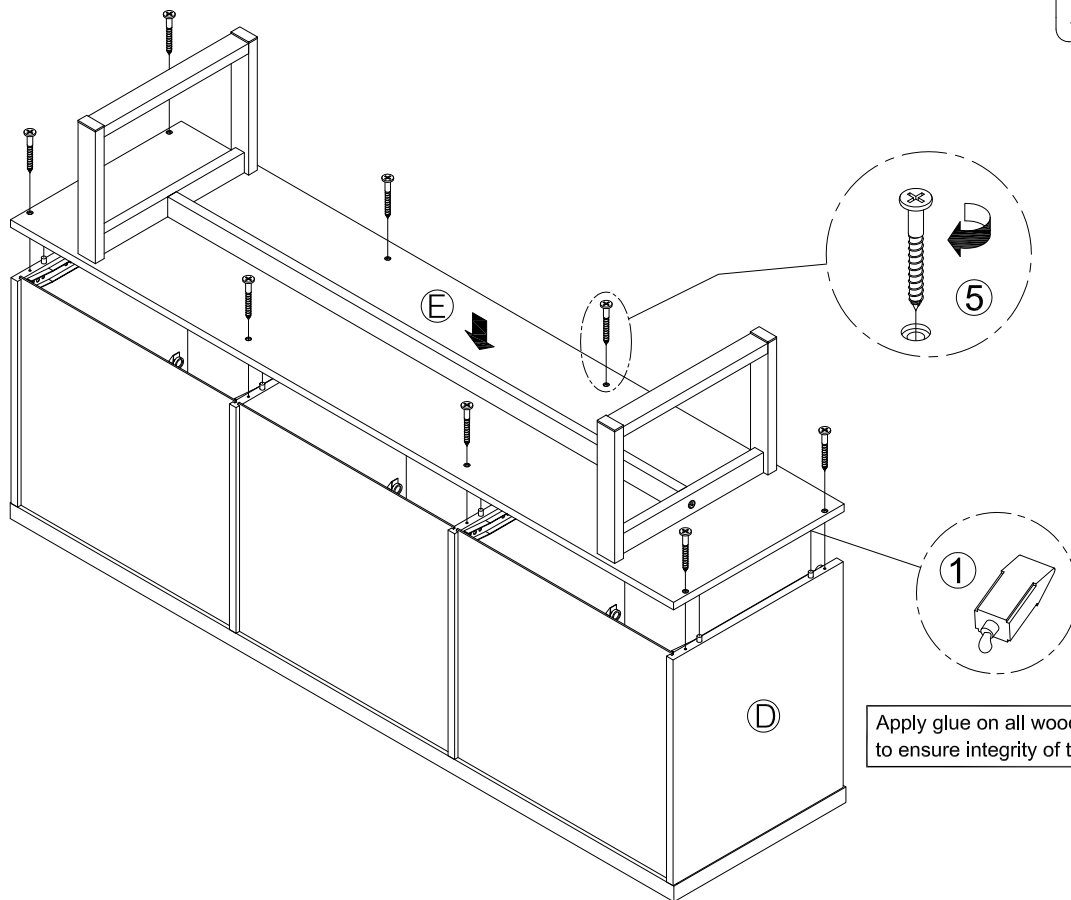
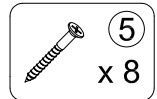
STEP 5 :



STEP 6 :

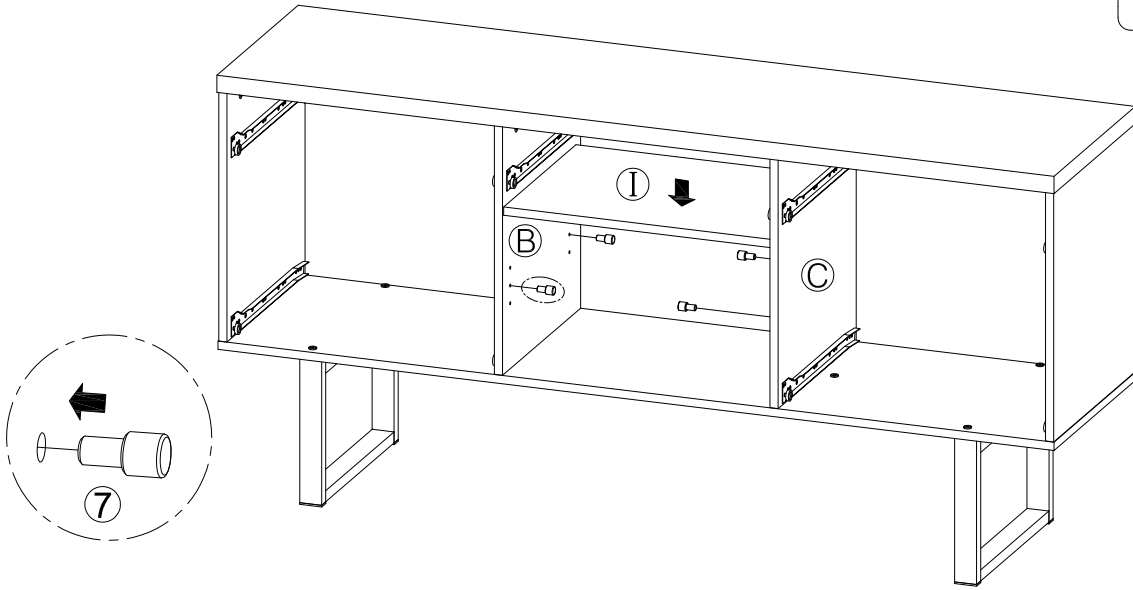
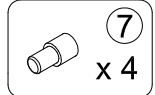


STEP 7 :

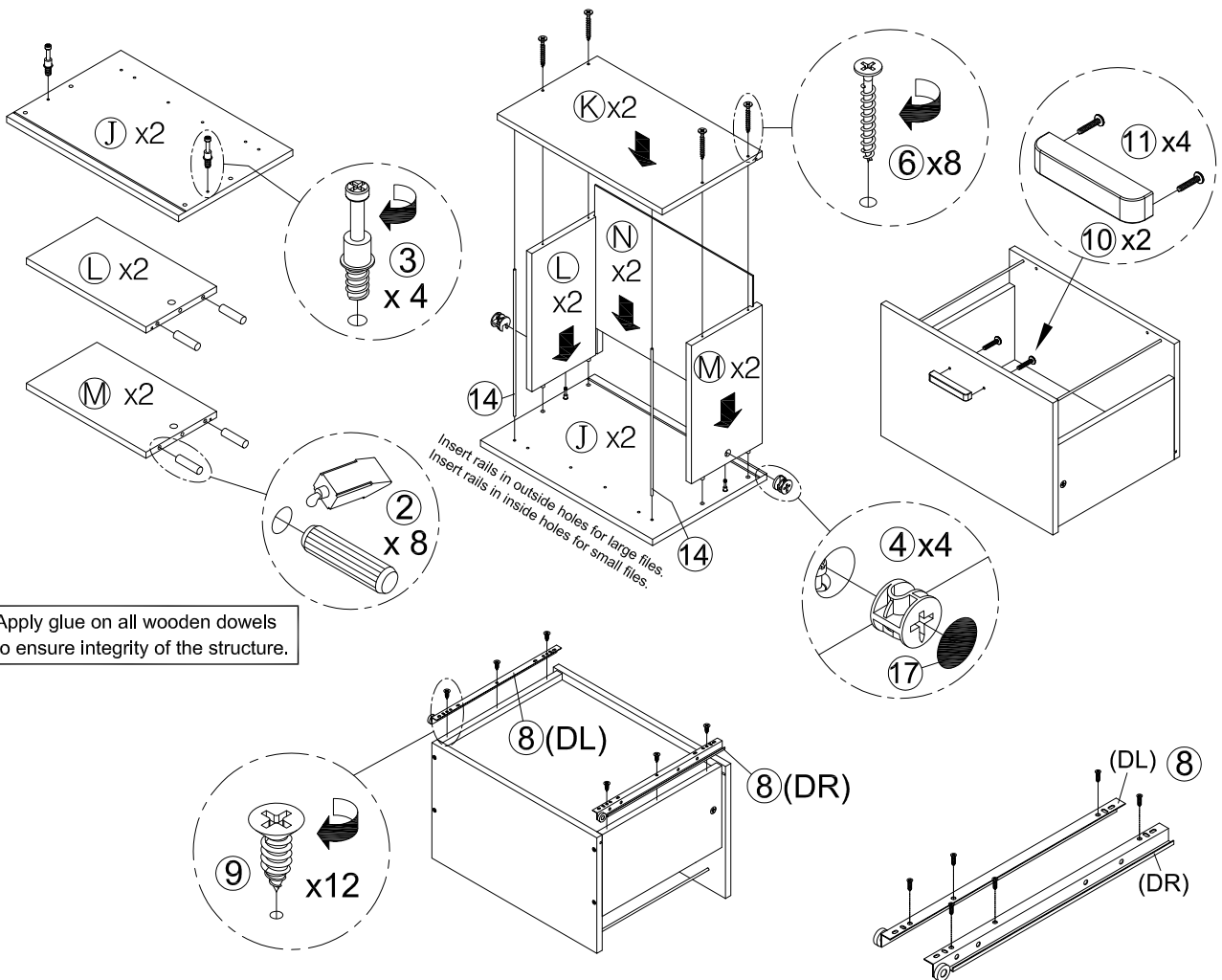


Apply glue on all wooden dowels to ensure integrity of the structure.

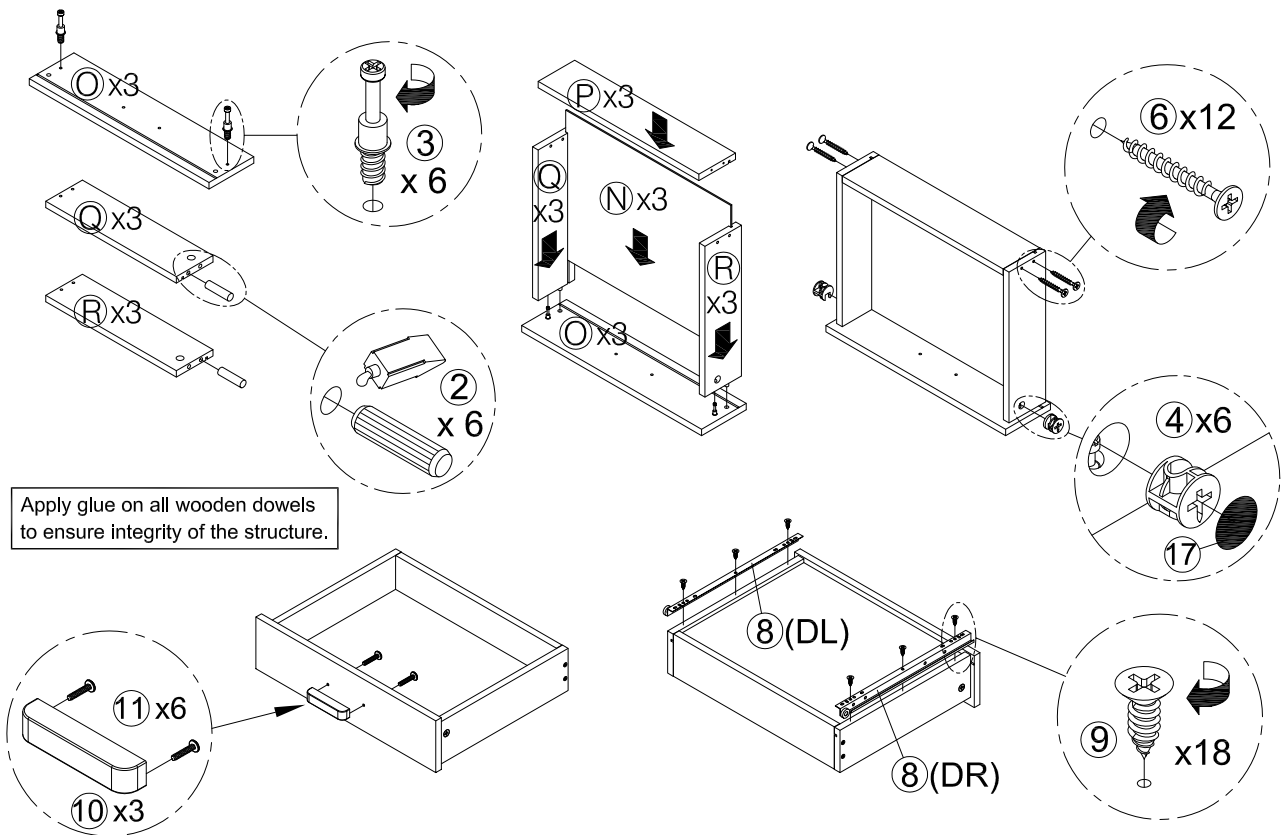
STEP 8 :



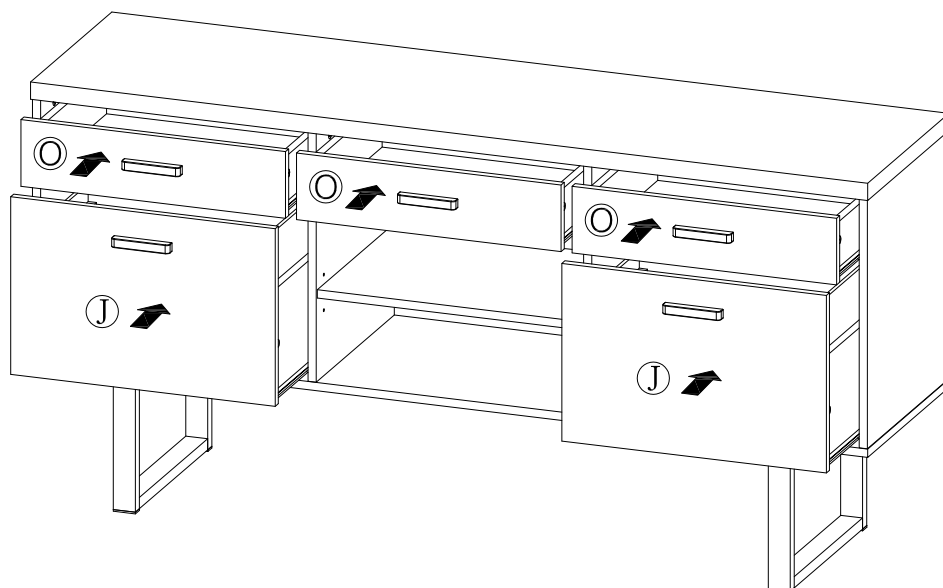
STEP 9 :



STEP 10 :

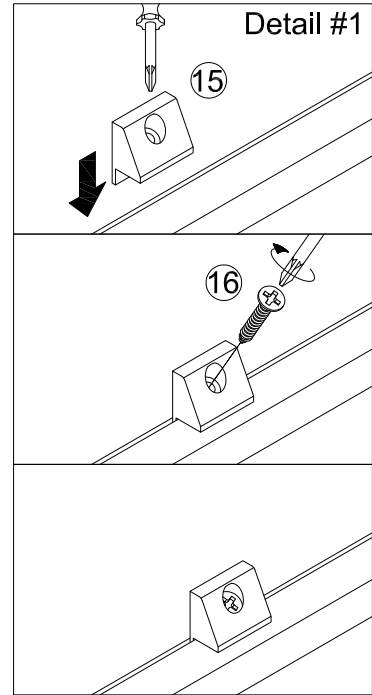
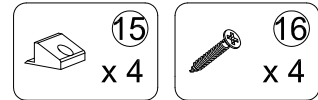
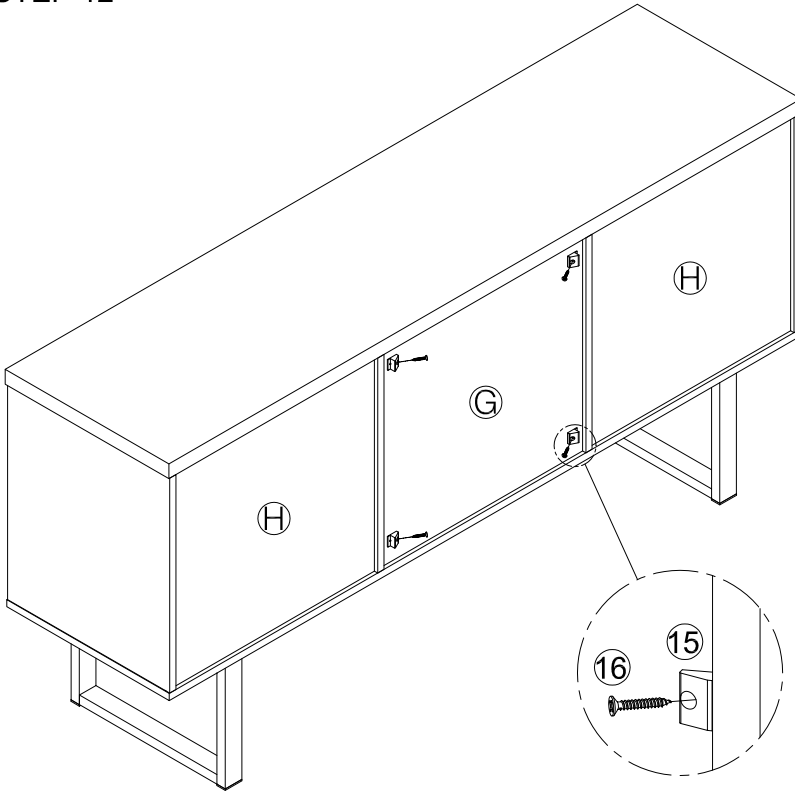


STEP 11 :

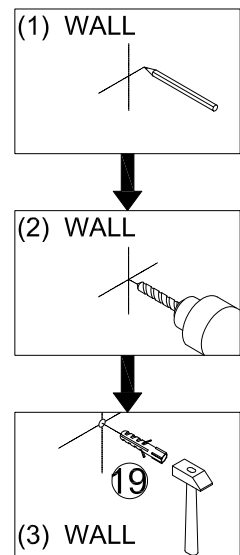
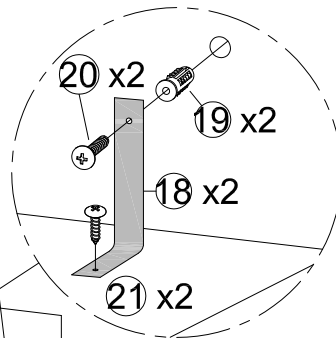
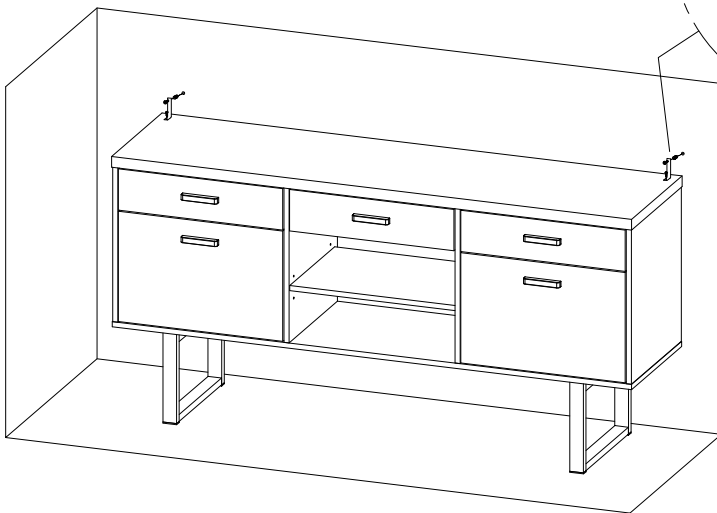


**ASSEMBLY INSTRUCTION**

STEP 12 :



STEP 13 :



**FURNITURE TIPPING RESTRAINT**

**WARNING**

**Injury may result from tipping furniture**

This restraint is not a substitute for proper adult supervision. This restraint may provide protection against tipping furniture.

Do not allow children to climb on furniture.

Failure to detach this restraint before moving furniture may result in injury and damage

