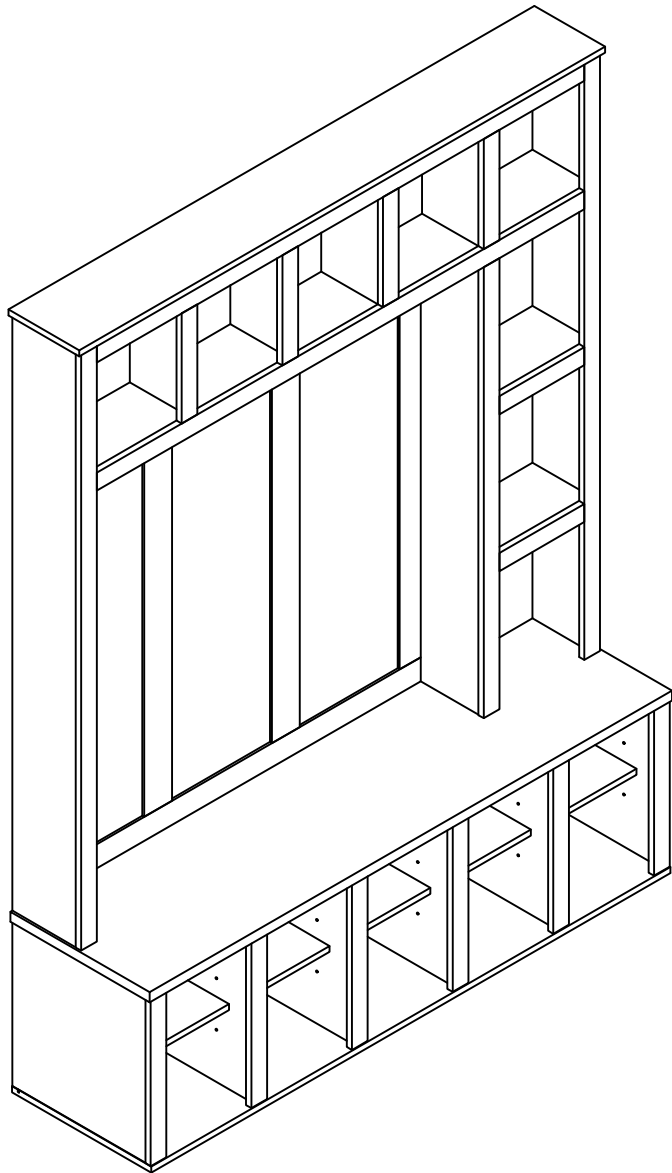


Hall Tree

Assembly Instructions -Please keep for future reference



Dimensions

Width-59.5 inch

Depth-15.8 inch

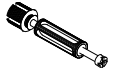

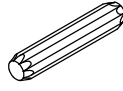



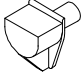
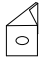

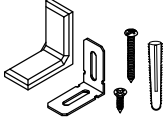


Height-76.8 inch

Important -Please read these instructions fully before starting assembly

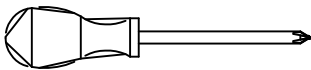
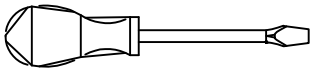
Components -Fittings

Please check you have all the panels listed below

Note: The quantities below are the correct amount to complete the assembly. In some cases more fittings may be supplied than are required.

<p>(A) </p> <p>Cam Bolt x 101+3</p>	<p>(B) </p> <p>Cam lock x101+3</p>	<p>(C) </p> <p>Dowel x 64+3</p>	<p>(D) </p> <p>3.5*14mm Screw x 12+1</p>
<p>(E) </p> <p>Clothes hook x 6</p>	<p>(F) </p> <p>7*50mm Screw x 26+2</p>	<p>(G) </p> <p>Movable partition bracket x 20</p>	<p>(H) </p> <p>Plastic buckle x 34</p>
<p>(I) </p> <p>3*12mm Screw x 34</p>	<p>(J) </p> <p>Anti-tipping device X 2</p>	<p>(K) </p> <p>Felt mat X 10</p>	<p>(L) </p> <p>Sticker Cover x 64+3</p>

Tools required



Phillips screwdriver
(medium & large)



Safety and Care Advice

Important – Please read these instructions fully before starting assembly

- Check you have all the components and tools listed on the following pages.
- Remove all fittings from the plastic bags and separate them into their groups.
- Keep children and animals away from the work area, small parts could choke if swallowed.
- Make sure you have enough space to layout the parts before starting.

- During assembly do not stand or put weight on the product, this could cause damage.
- Assemble the item as close to its final position (in the same room) as possible.
- Assemble on a soft level surface to avoid damaging the unit or your floor.
- Parts of the assembly will be easier with 2 people.



power drill is set on a low torque setting.

- To reduce the likelihood of damaging your product please ensure that your

Care and maintenance

• Only clean using a damp cloth and mild detergent, do not use bleach or abrasive cleaners.

• From time to time check that there are no loose screws on this unit.

• This product should not be discarded with household waste. Take to your local authority waste disposal centre.

Handy Hints

• Assemble all parts and bolts loosely during assembly, only once the product is complete should you fully tighten the bolts

• Regularly check and ensure That all bolts and fittings are tightend properly.

WARNING
In order to help prevent overturning –
please follow these instructions

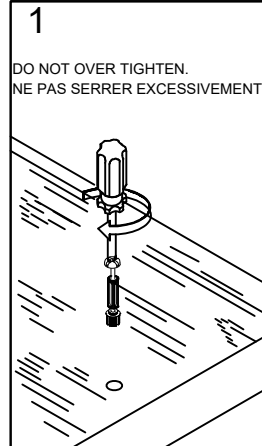
To help prevent product toppling over please follow the below steps:-

- Use the anti tip stap or wall fixing method provided (if applicable)
- Do not allow children to climb or hang on the furniture
- Do not open more than one drawer at a time
- Do not place heavy items in the top drawers
- Do not place heavy items on top of the furniture, unless the furniture has been designed for this purpose

Using Camlocks

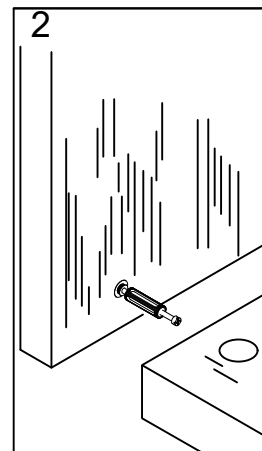
Step 1

Connect the male camlock as directed in the assembly instructions using a screwdriver.



Step 2

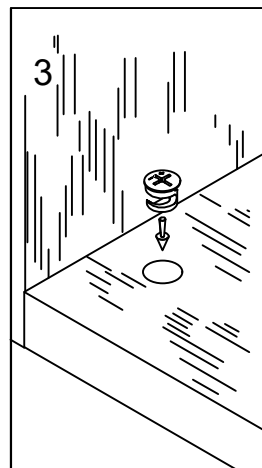
Push the male camlock into the entry hole.



Step 3

Insert the female camlock as shown in the instruction.

Note: ensure that the arrow on the top of the camlock points towards the entry hole for the male camlock.

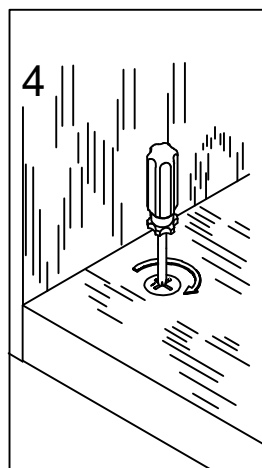


Step 4

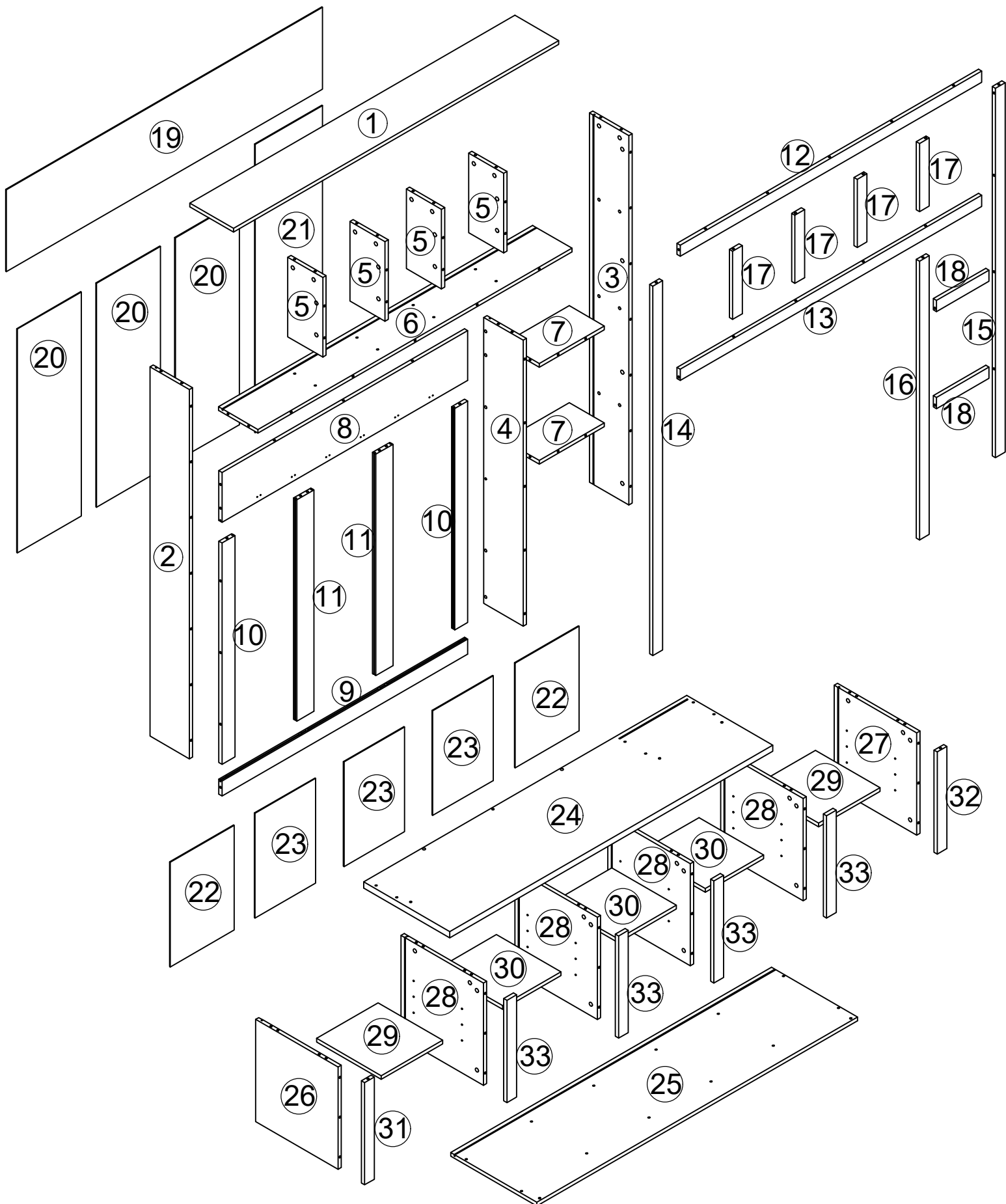
Turn the female camlock clockwise with a screwdriver.

You should feel a click when the camlock is locked in place.

The joint is now secure.

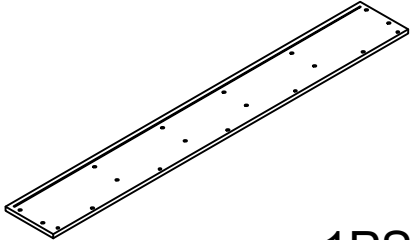


Assembly Instructions



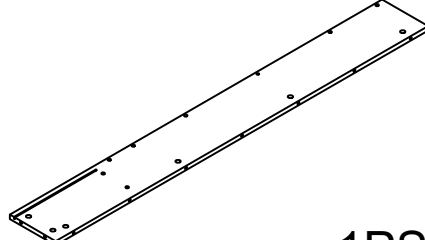
There are 2 boxes of this product.

① 1510*203*15mm



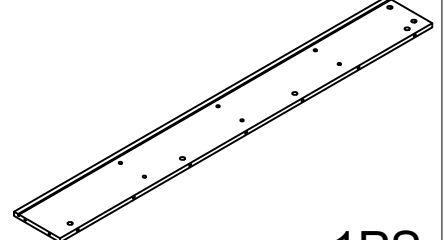
1PS

② 1485*183*15mm



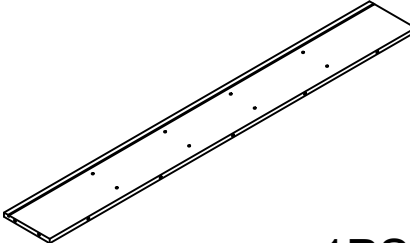
1PS

③ 1485*183*15mm



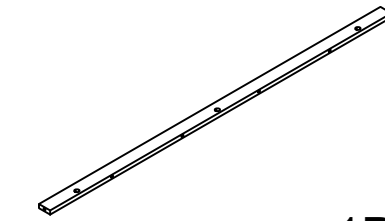
1PS

⑥ 1458*183*15mm



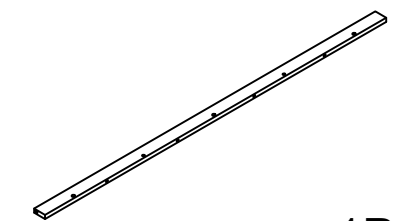
1PS

⑫ 1400*45*15mm



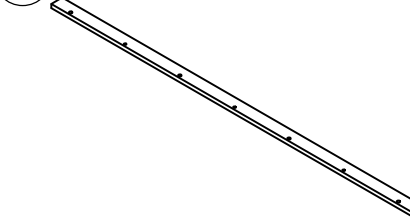
1PS

⑬ 1400*45*15mm



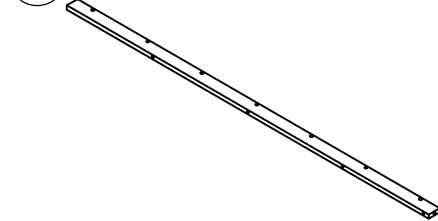
1PS

⑭ 1485*45*15mm



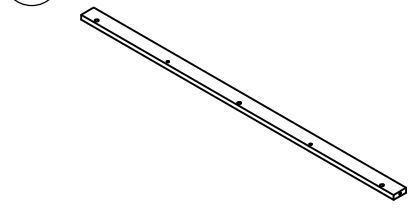
1PS

⑮ 1485*45*15mm



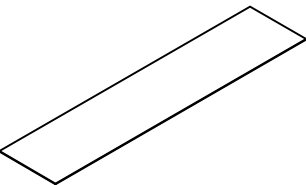
1PS

⑯ 1121*45*15mm



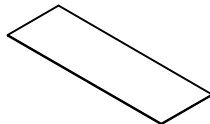
1PS

⑰ 1468*329*3mm



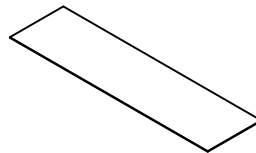
1PS

⑳ 900*297*3mm



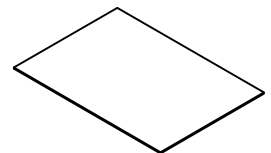
3PS

㉑ 1159*312*3mm



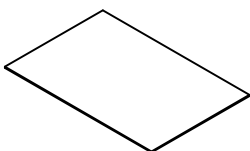
1PS

㉒ 421*297*3mm



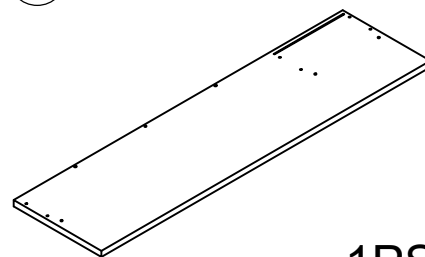
2PS

㉓ 421*281*3mm



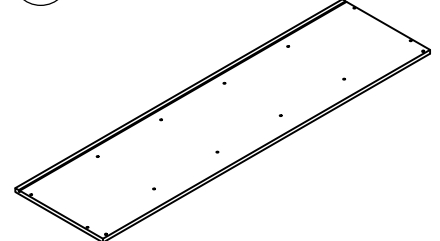
3PS

㉔ 1500*400*25mm



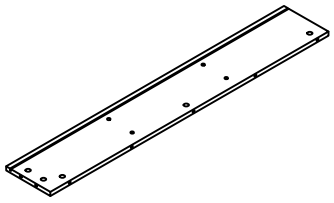
1PS

㉕ 1490*400*15mm



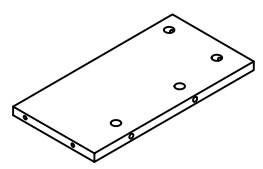
1PS

④ 1150*183*15mm



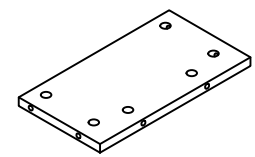
1PS

⑤ 320*163*15mm



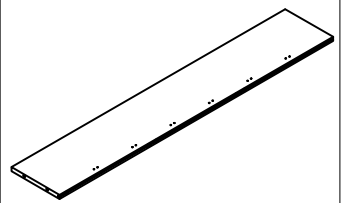
4PS

⑦ 302*163*15mm



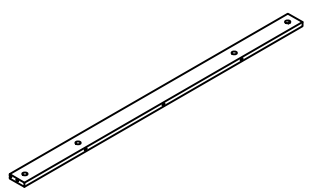
2PS

⑧ 1141*200*15mm



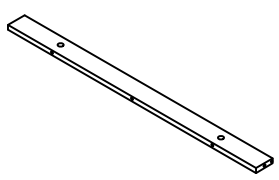
1PS

⑨ 1141*60*15mm



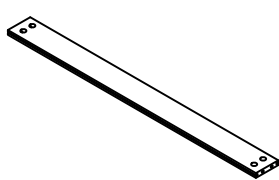
1PS

⑩ 890*60*15mm



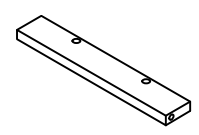
2PS

⑪ 890*80*15mm



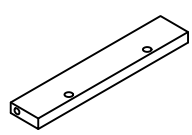
2PS

⑰ 274*45*15mm



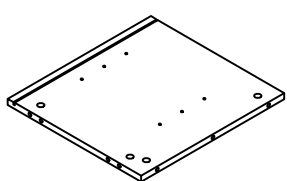
4PS

⑱ 244*45*15mm



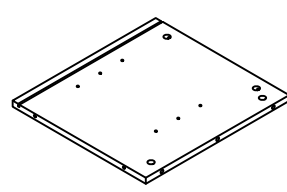
2PS

⑳ 411*383*15mm



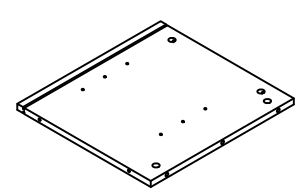
1PS

㉑ 411*383*15mm



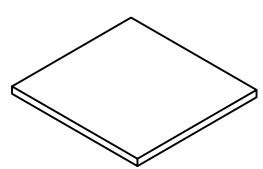
1PS

㉒ 411*383*15mm



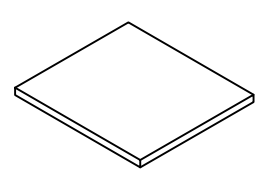
4PS

⑳ 285*300*15mm



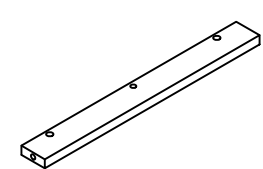
2PS

㉓ 271*300*15mm



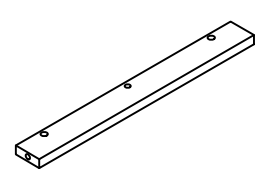
3PS

㉔ 411*45*15mm



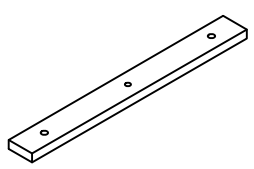
1PS

㉕ 411*45*15mm



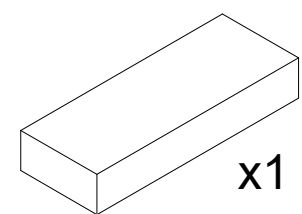
1PS

㉖ 411*45*15mm



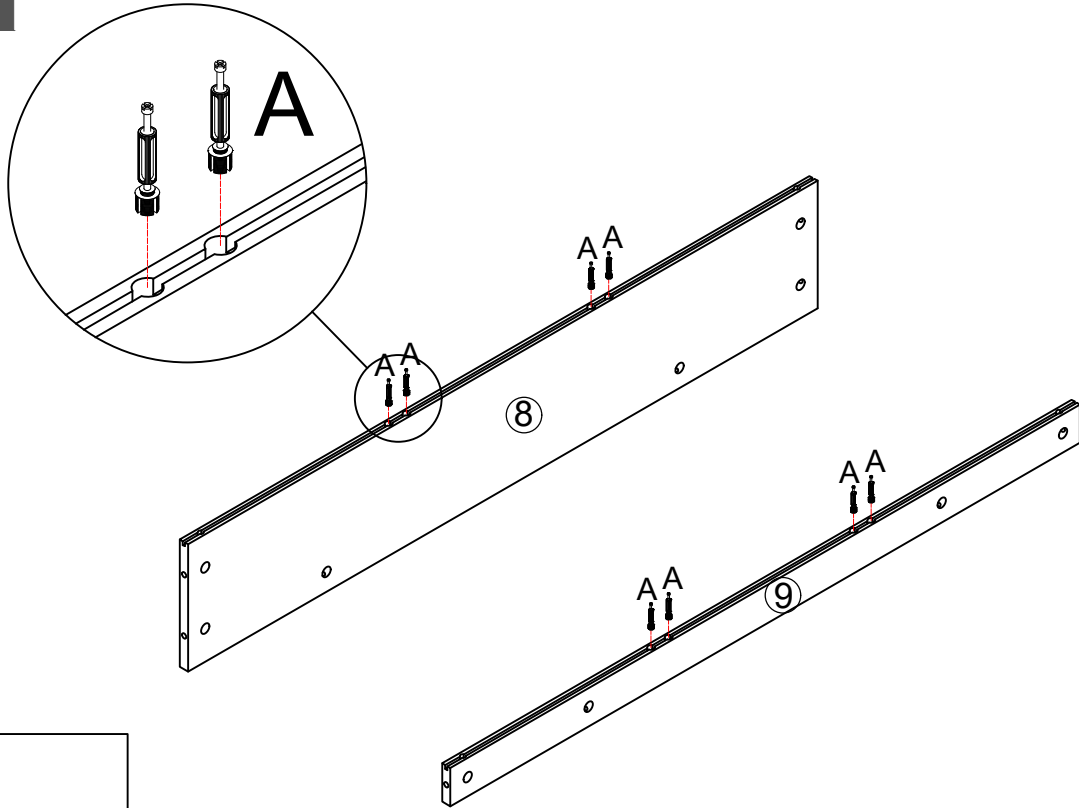
4PS

x1
Hardware Kit



Assembly Instructions

Step 1

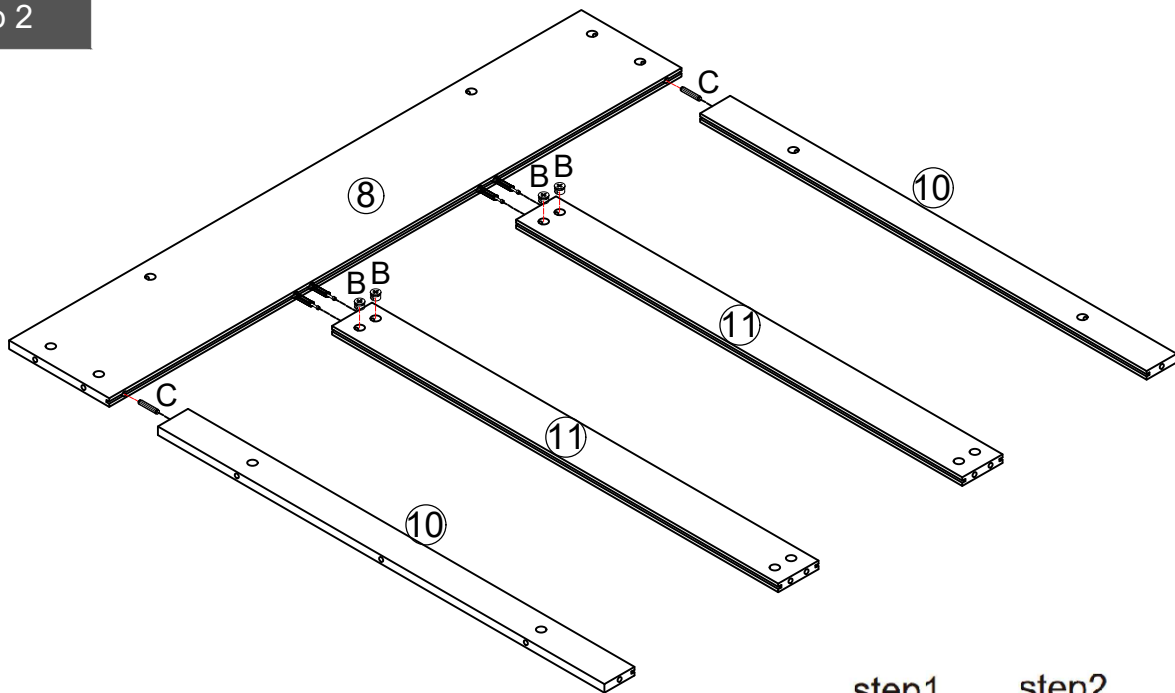


(A)



Cam Bolt x 8

Step 2

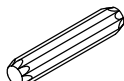


(B)



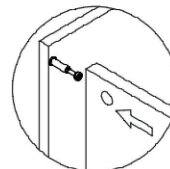
Cam lock x 4

(C)

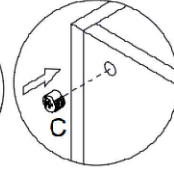


Dowel x 2

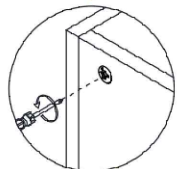
step1



step2

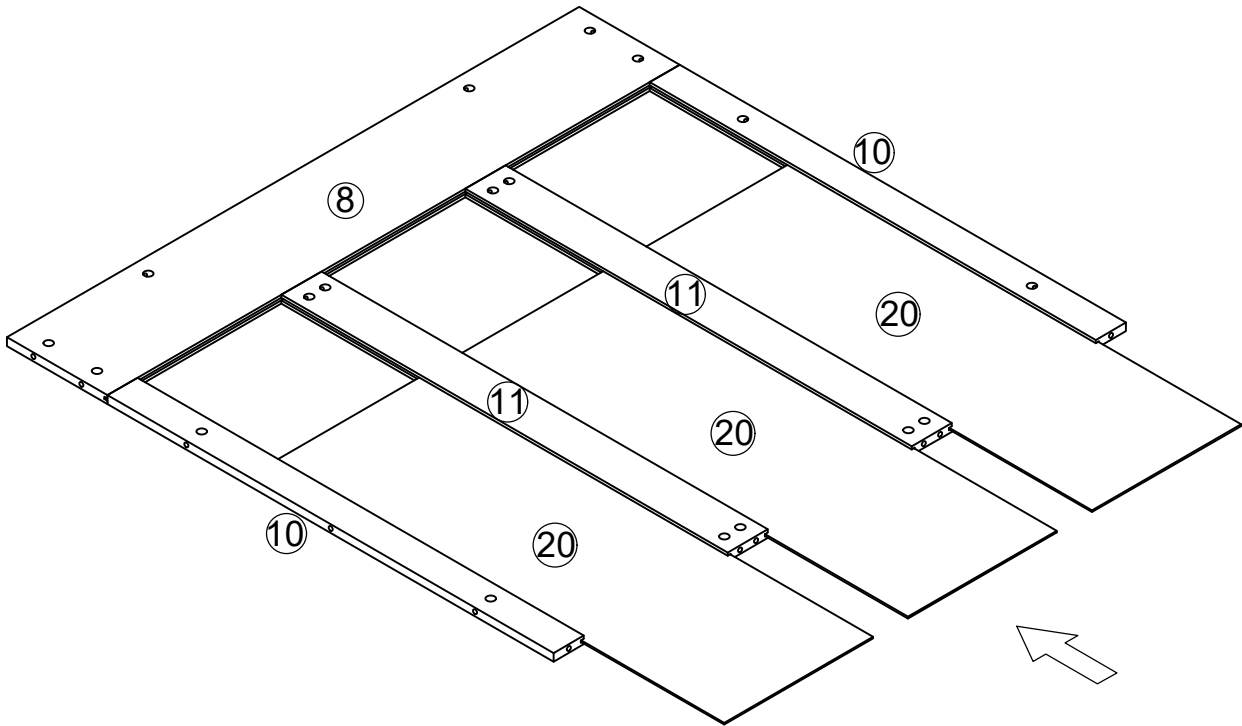


step3

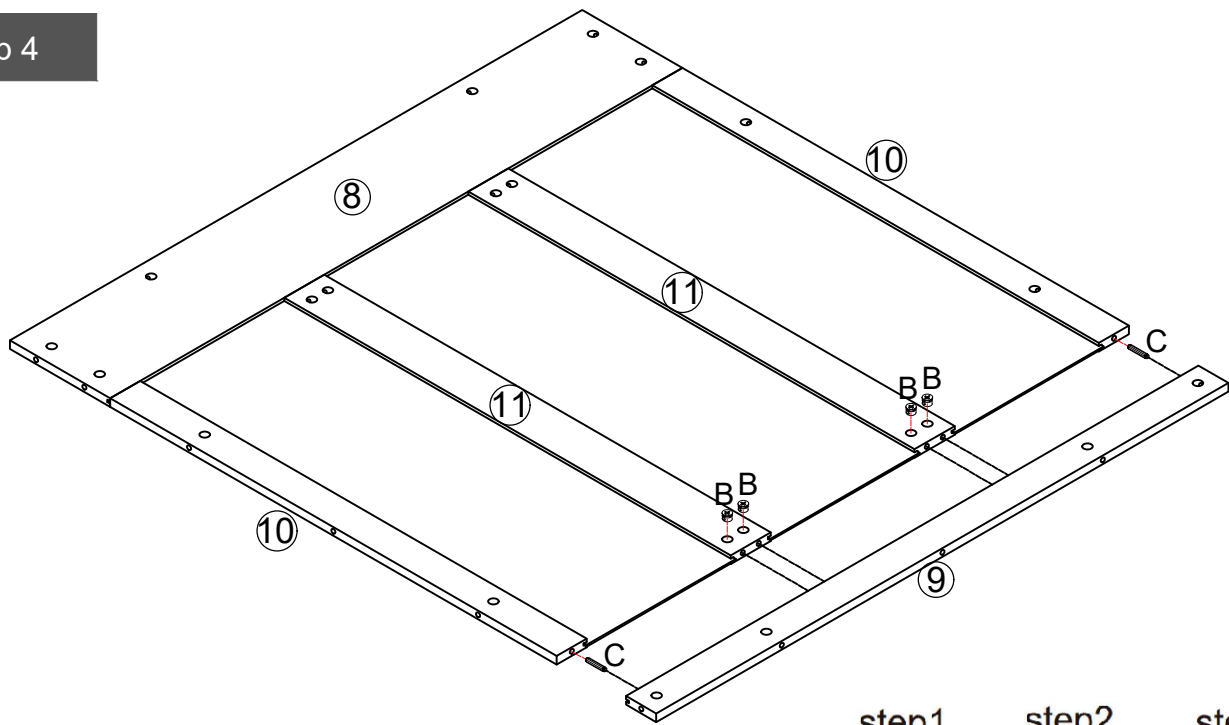


Assembly Instructions

Step 3



Step 4

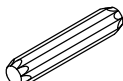


(B)



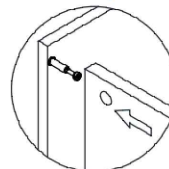
Cam lock x 4

(C)

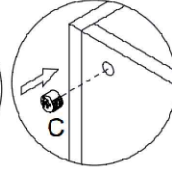


Dowel x 2

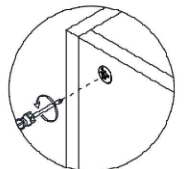
step1



step2

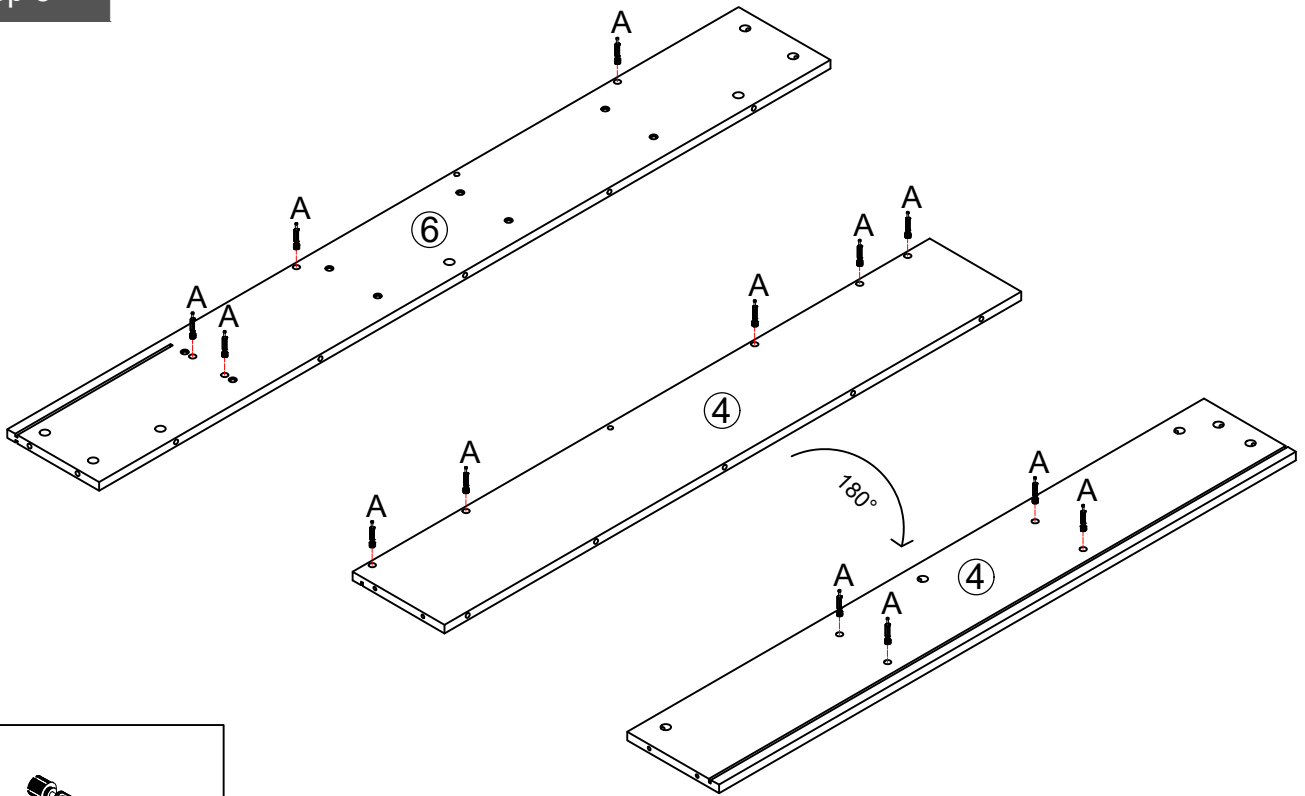


step3

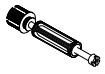


Assembly Instructions

Step 5

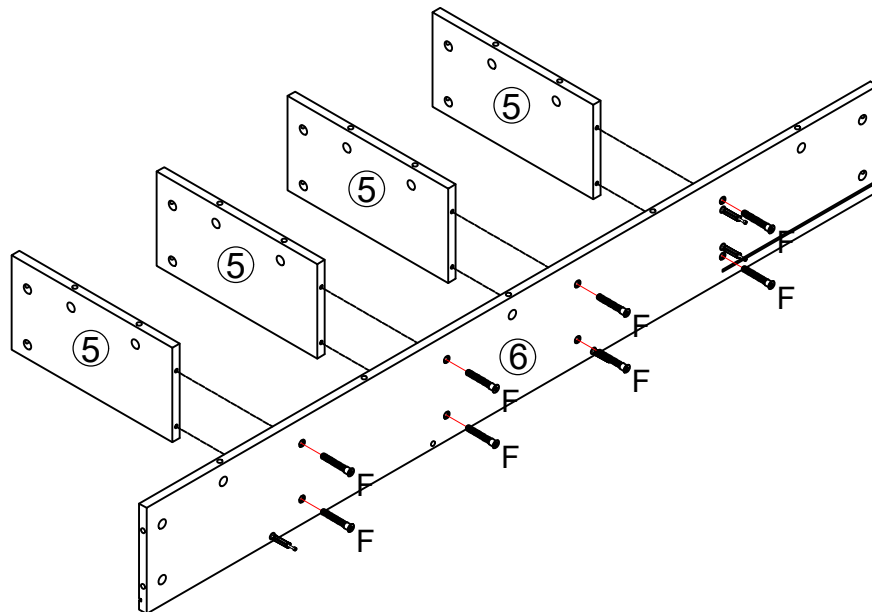


(A)



Cam Bolt x 13

Step 6



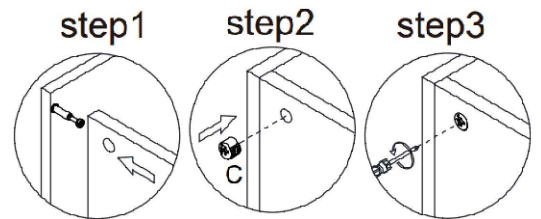
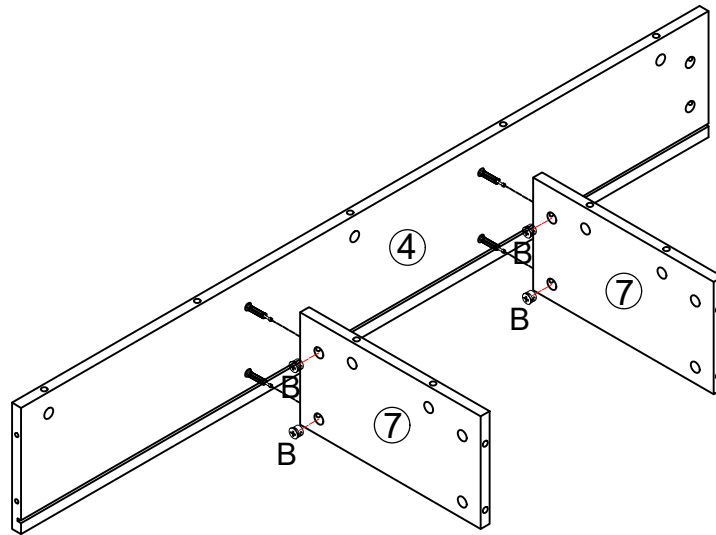
(F)



7*50mm Screw x 8

Assembly Instructions

Step 7

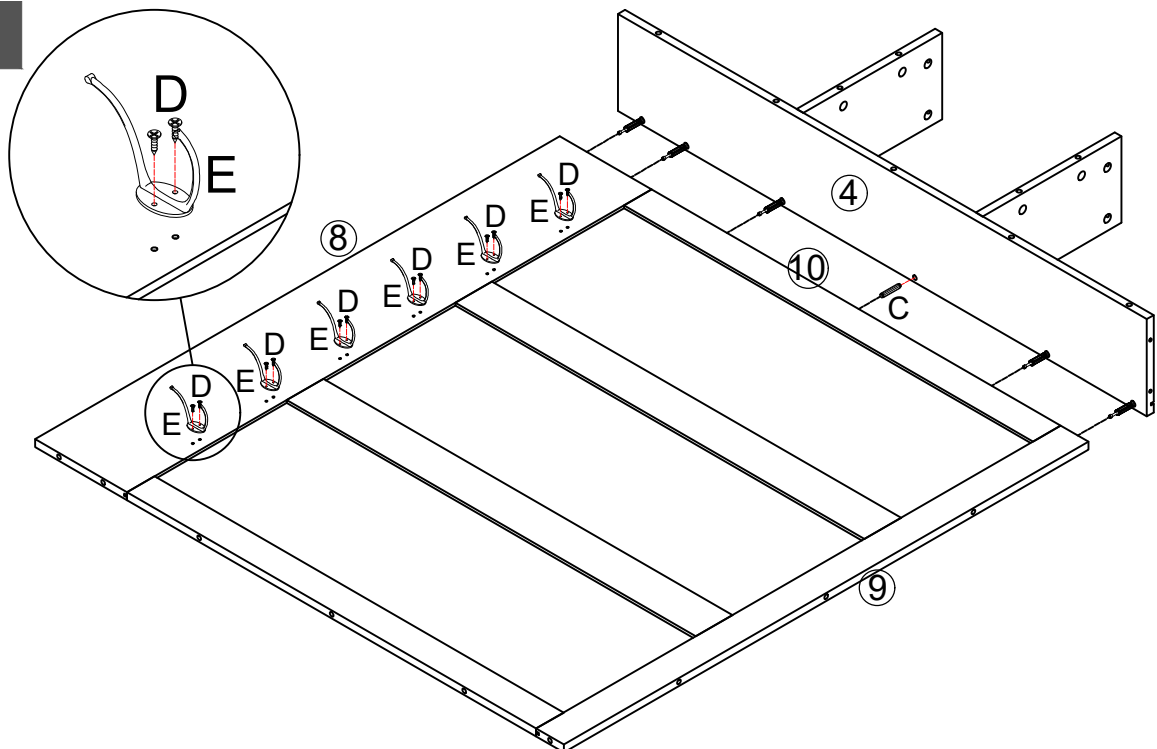


(B)

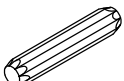


Cam lock x 4

Step 8



(C)



Dowel x 1

(D)



3.5*14mm Screw x 12

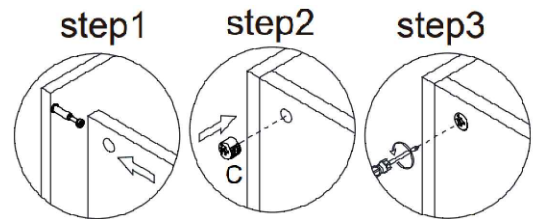
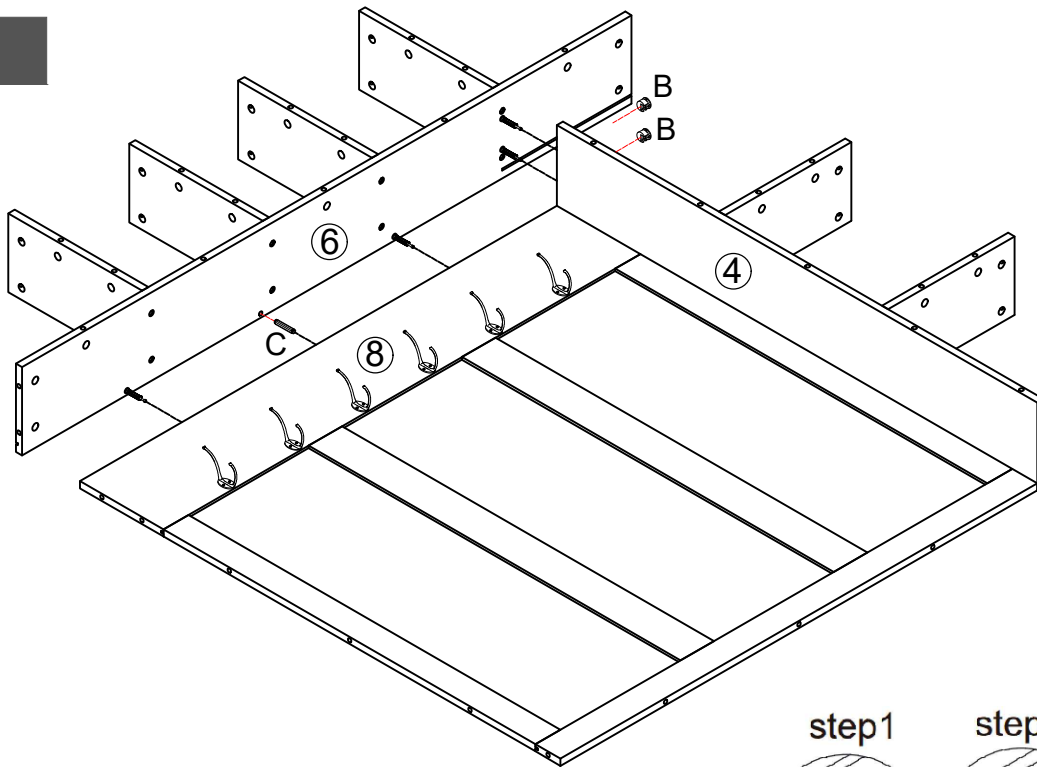
(E)



Clothes hook x 6

Assembly Instructions

Step 9

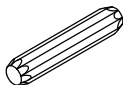


(B)



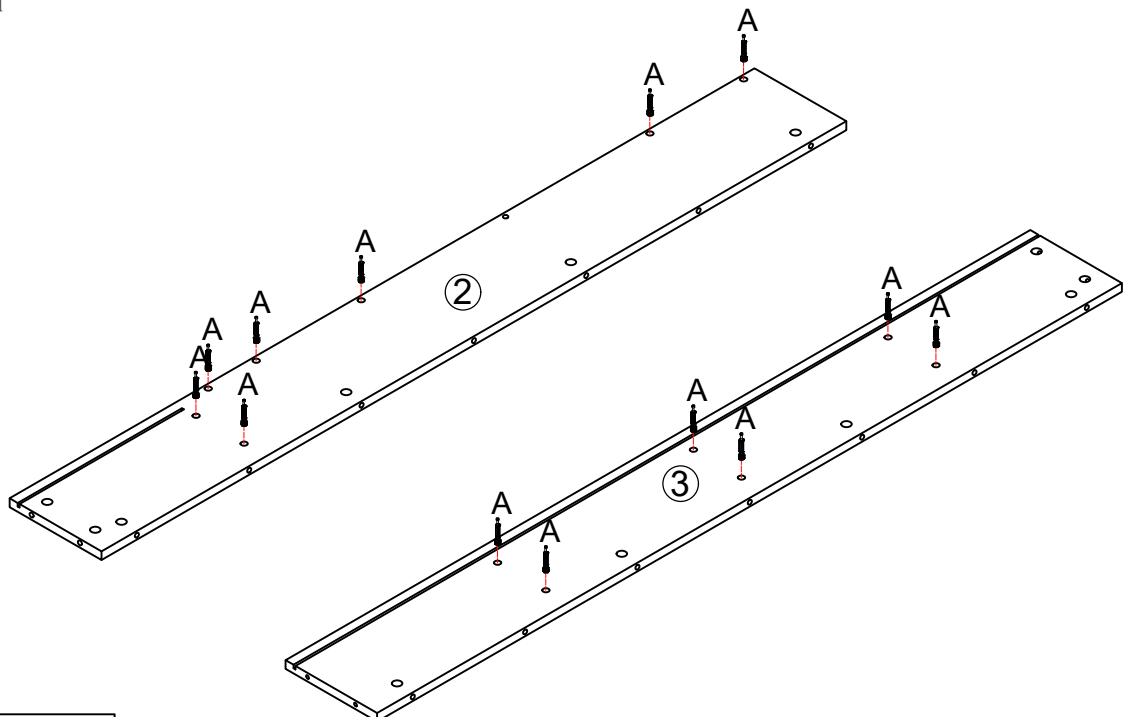
Cam lock x 2

(C)

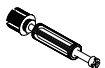


Dowel x 1

Step 10



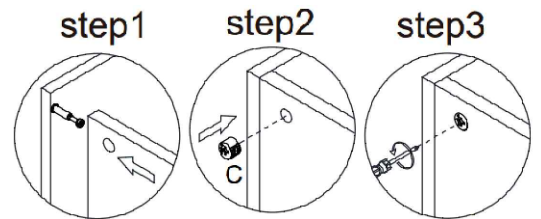
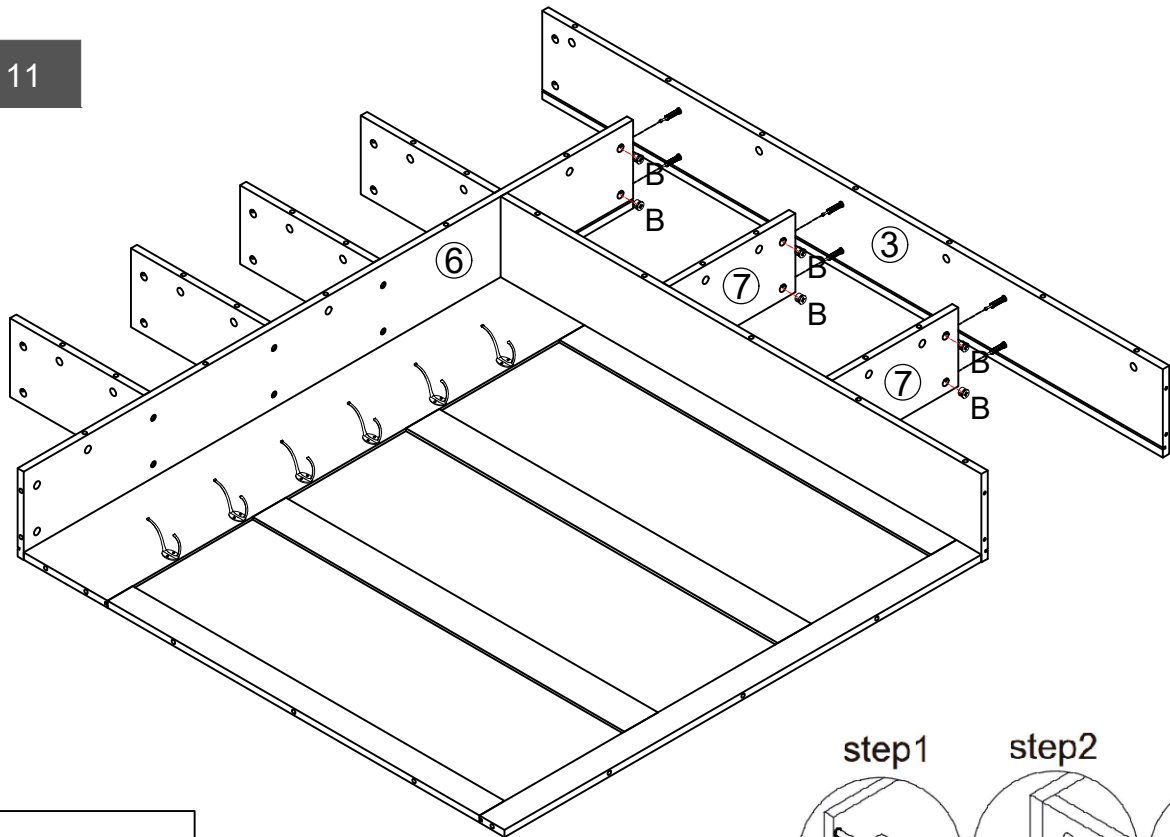
(A)



Cam Bolt x 13

Assembly Instructions

Step 11

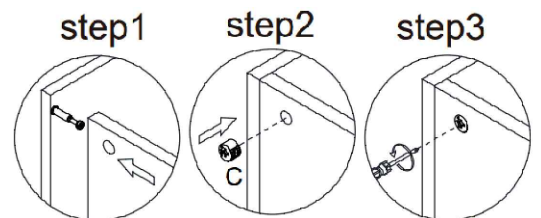
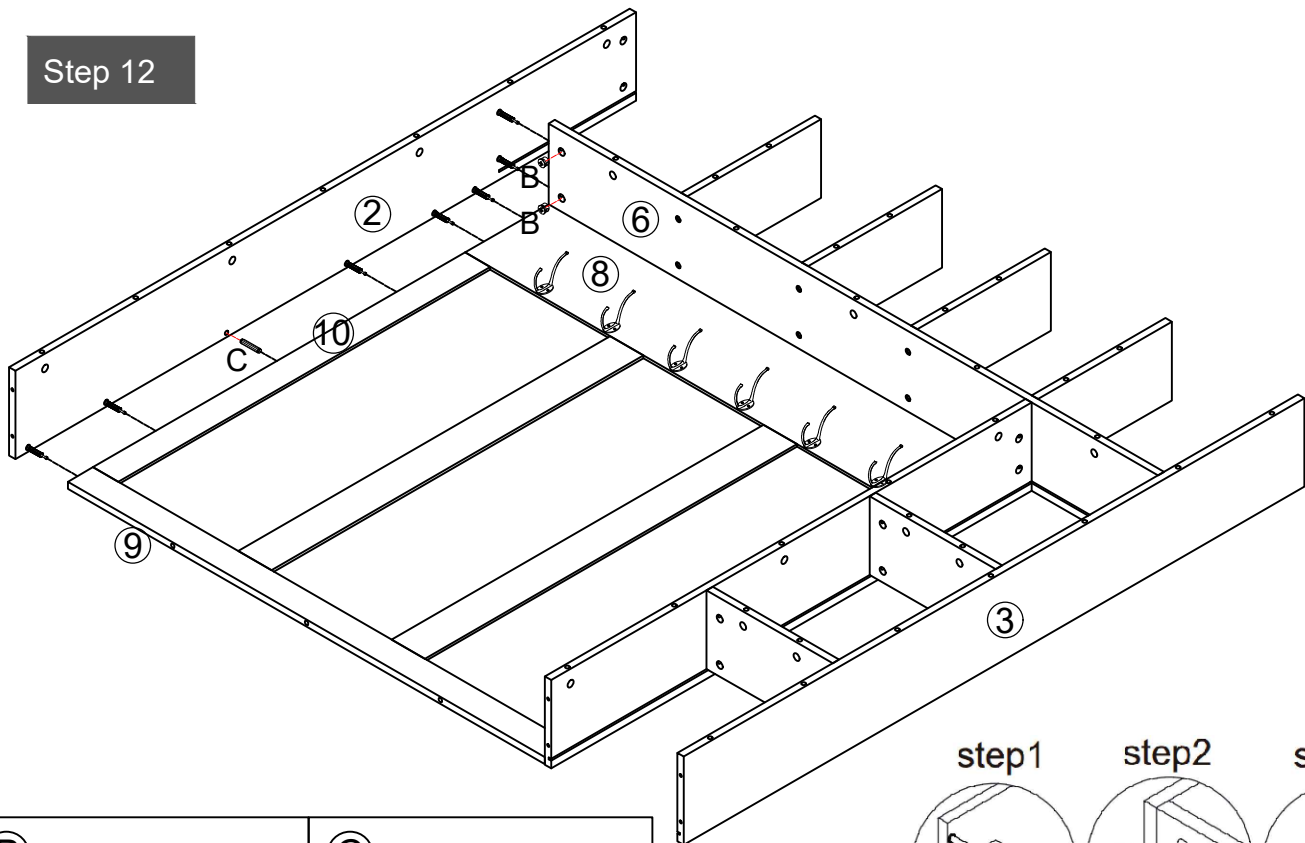


(B)



Cam lock x 6

Step 12

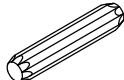


(B)



Cam lock x 2

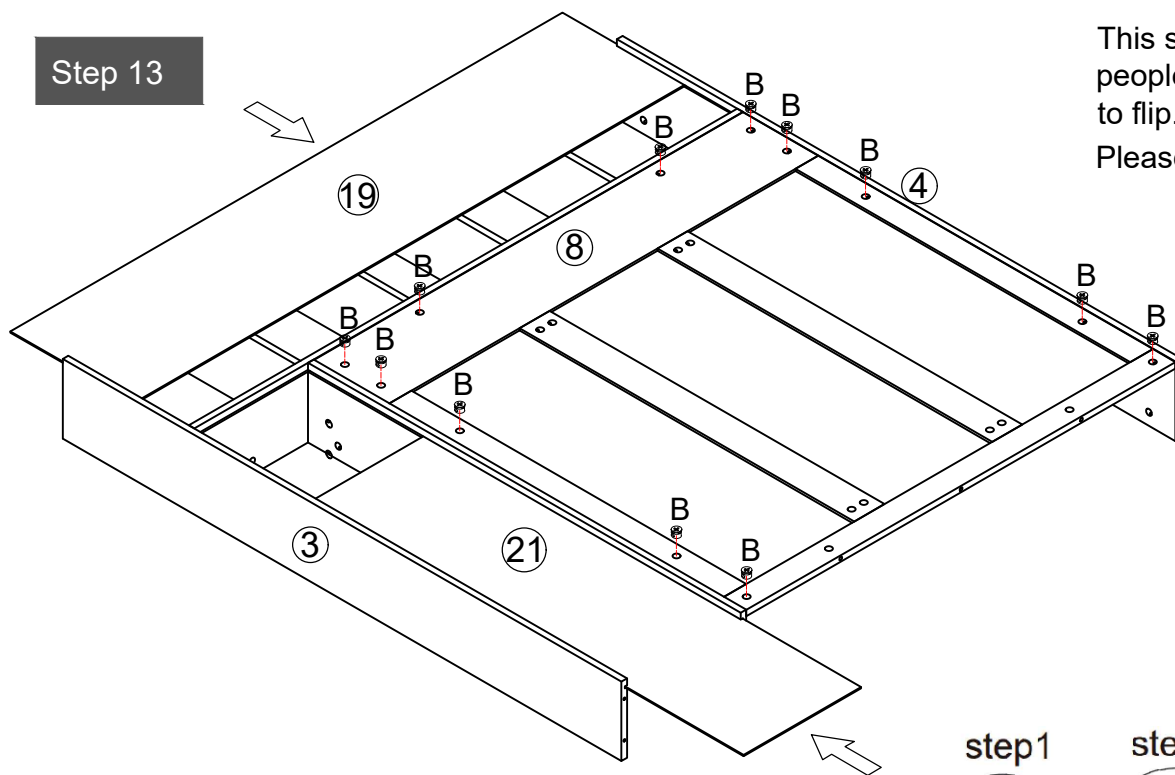
(C)



Dowel x 1

Assembly Instructions

Step 13

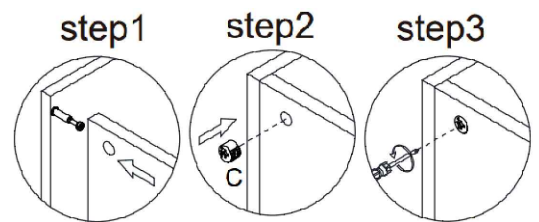


This step requires two people to work together to flip.
Please flip carefully.

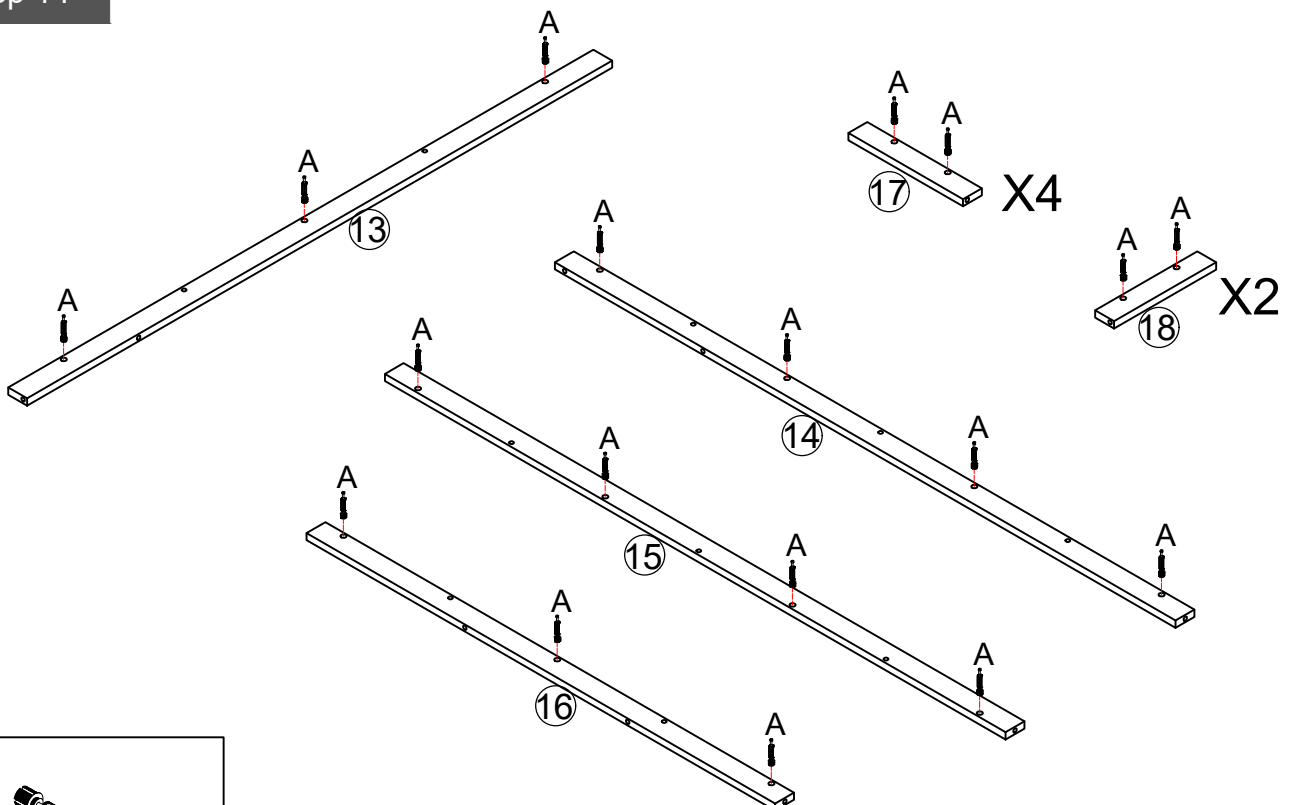
(B)



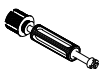
Cam lock x 12



Step 14



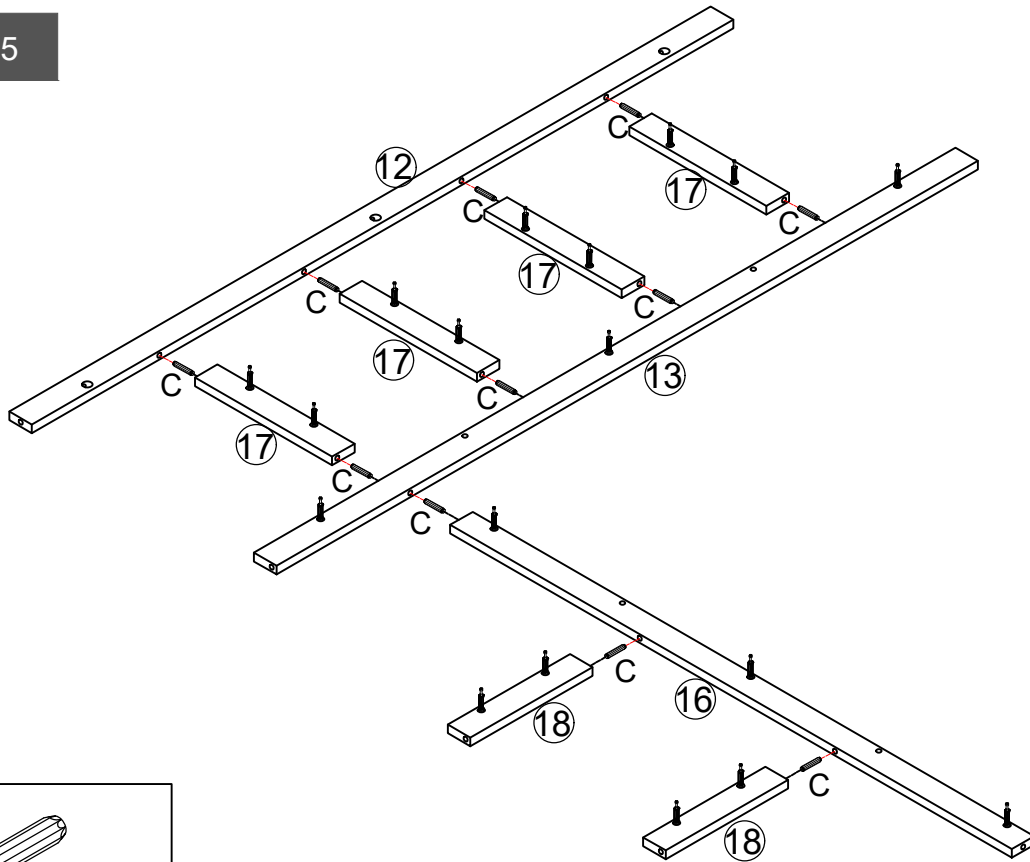
(A)



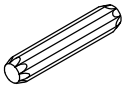
Cam Bolt x 26

Assembly Instructions

Step 15

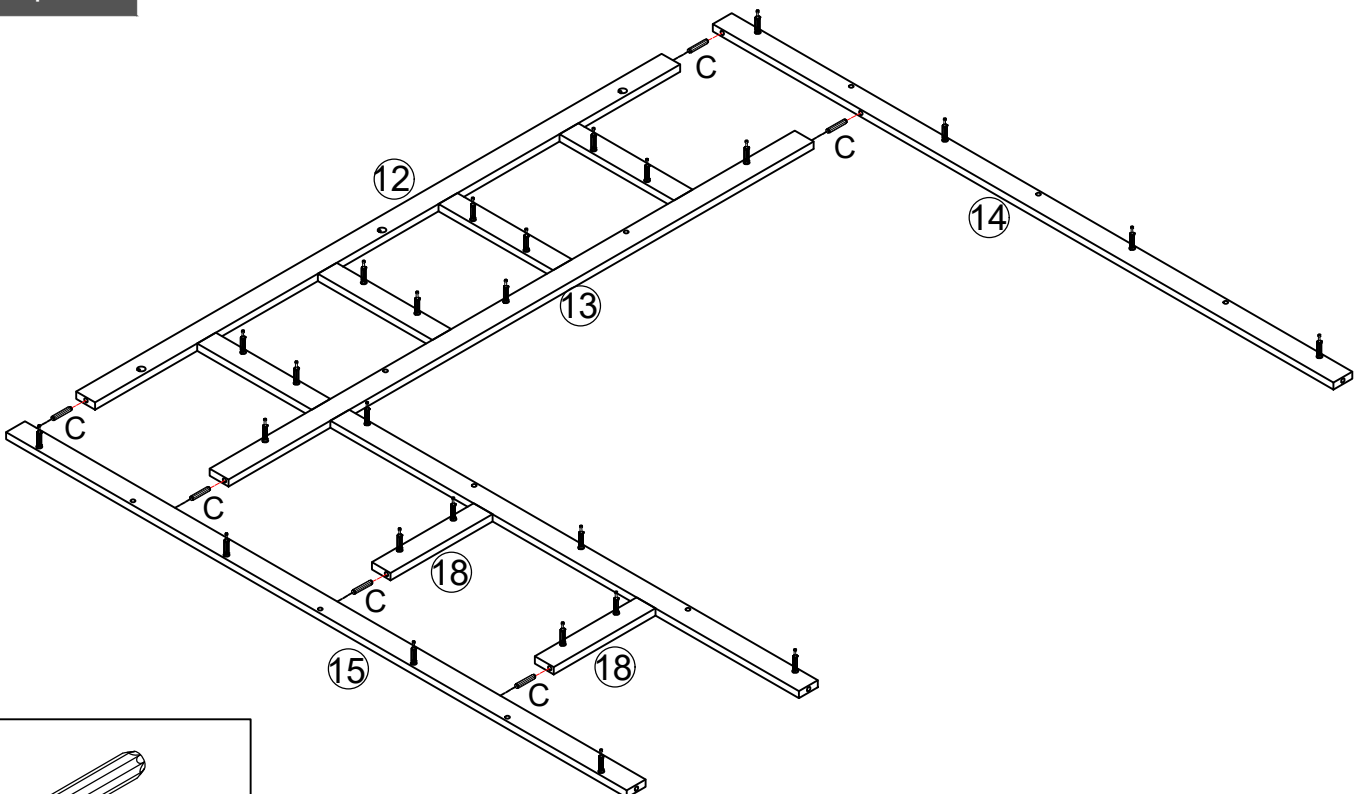


C

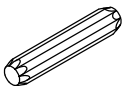


Dowel x 11

Step 16



C

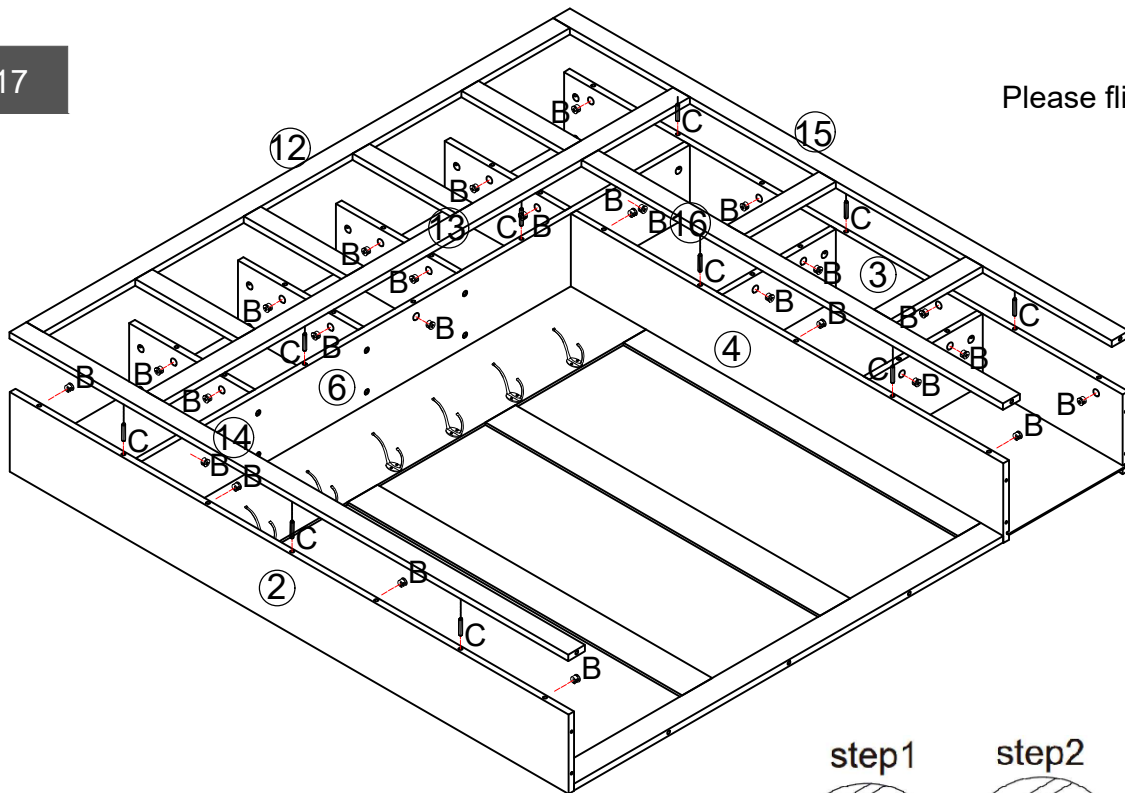


Dowel x 6

Assembly Instructions

Step 17

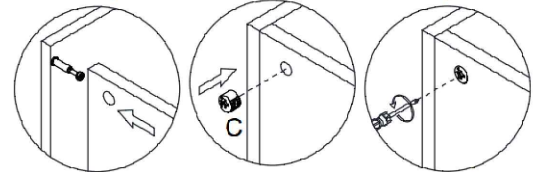
Please flip carefully.



step1

step2

step3

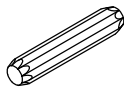


(B)



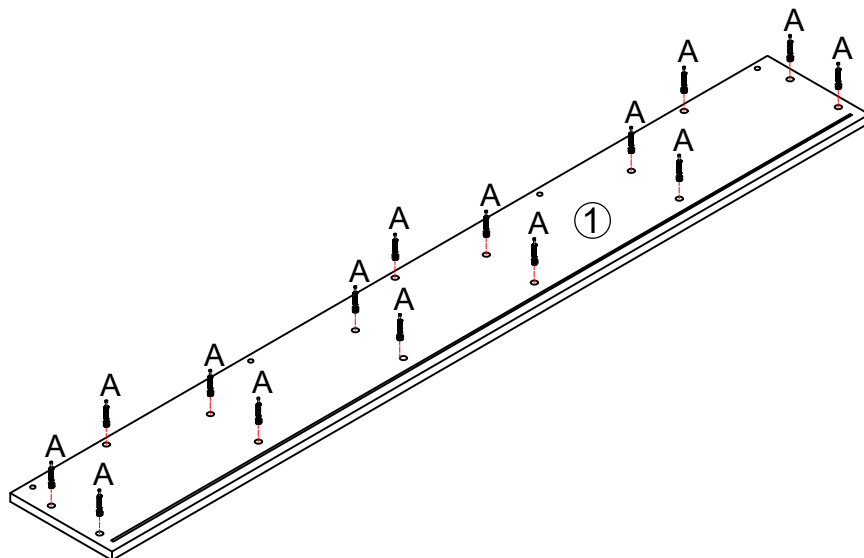
Cam lock x 26

(C)

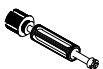


Dowel x 10

Step 18



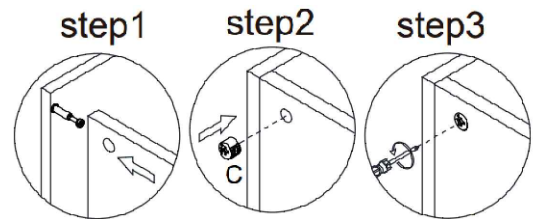
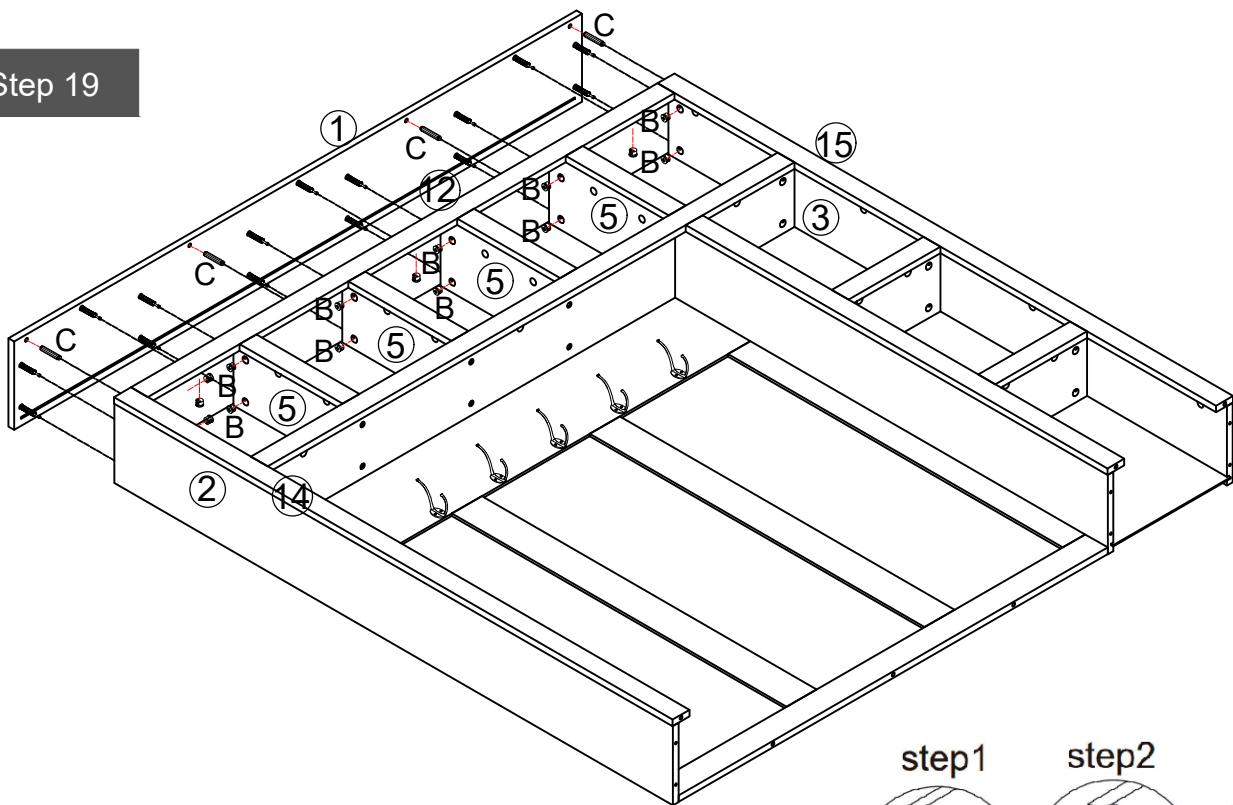
(A)



Cam Bolt x 15

Assembly Instructions

Step 19

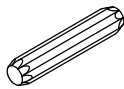


(B)



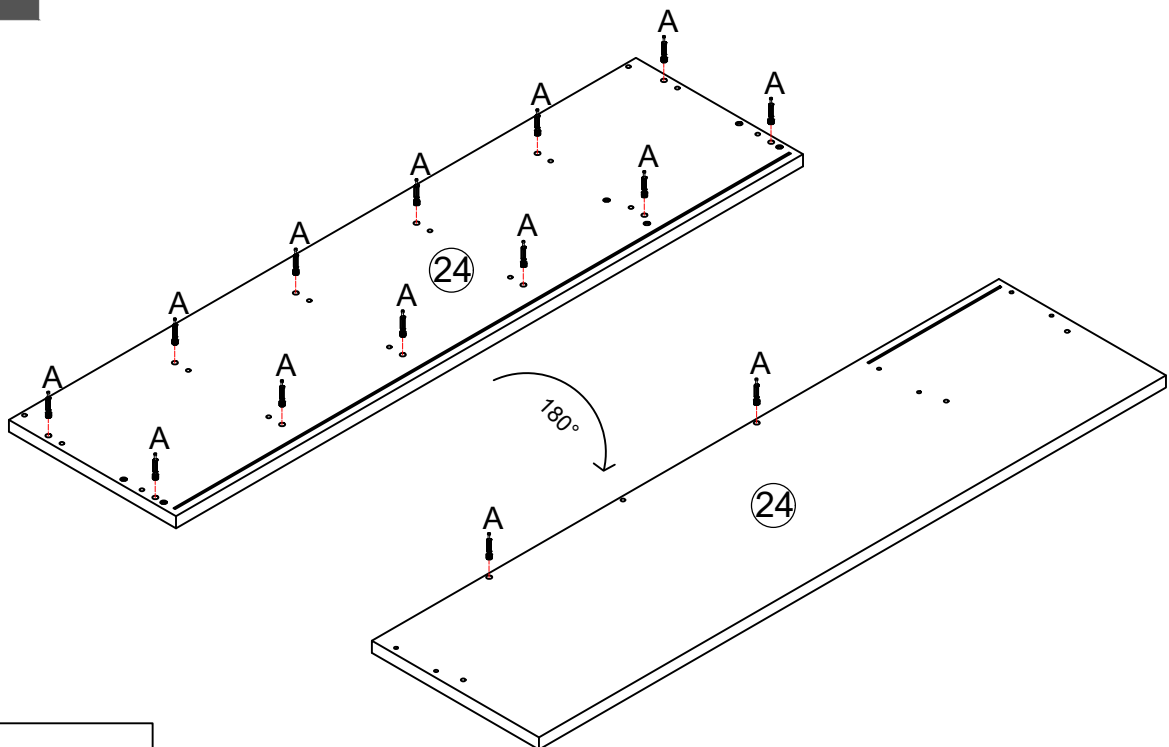
Cam lock x 15

(C)

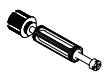


Dowel x 4

Step 20



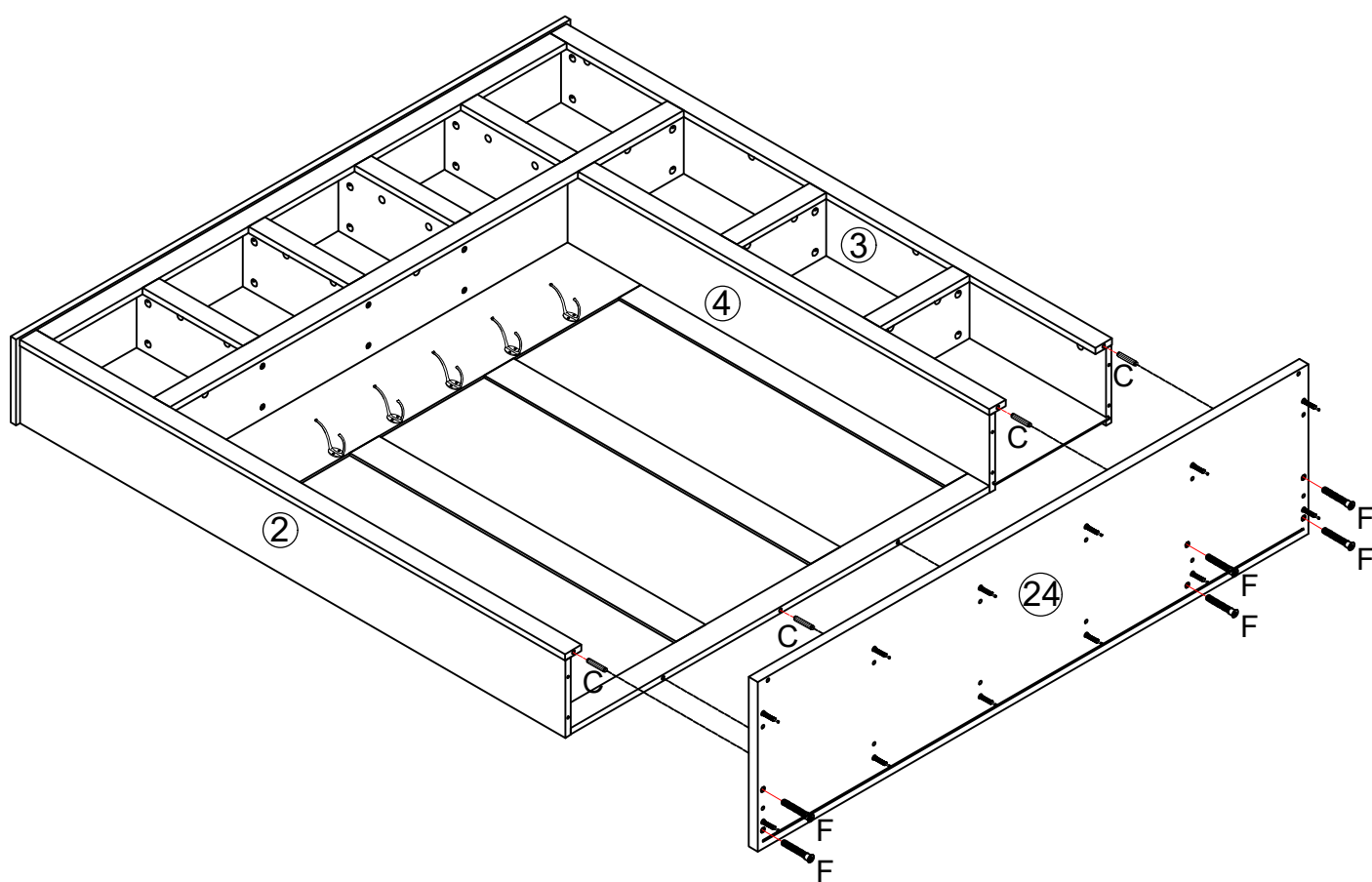
(A)



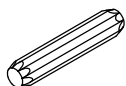
Cam Bolt x 14

Assembly Instructions

Step 21



Ⓒ



Dowel x 4

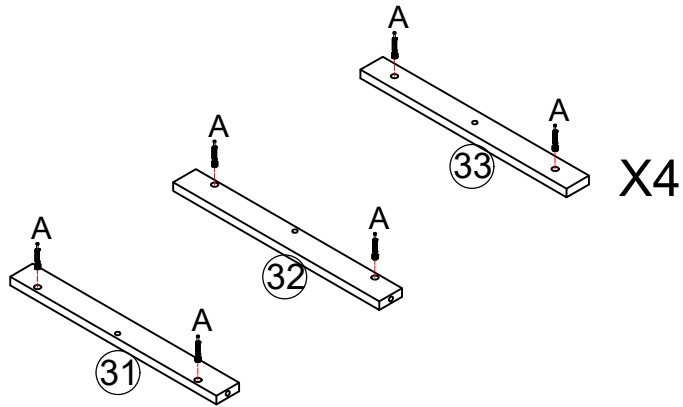
Ⓕ



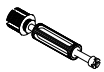
7*50mm Screw x 6

Assembly Instructions

Step 22

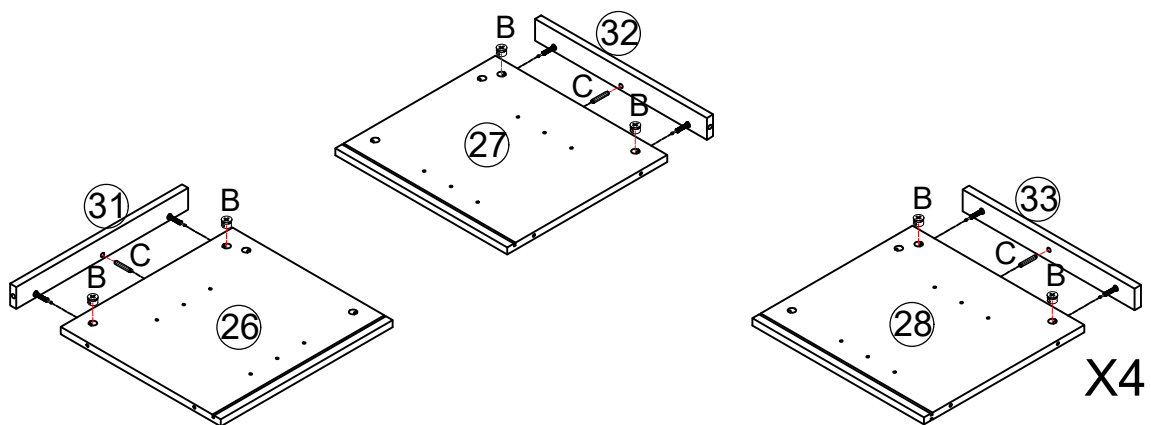


(A)



Cam Bolt x 12

Step 23

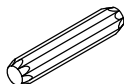


(B)



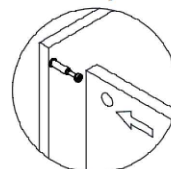
Cam lock x 12

(C)

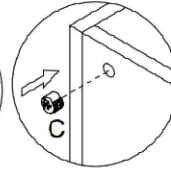


Dowel x 6

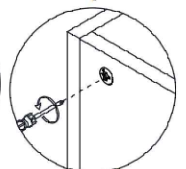
step1



step2

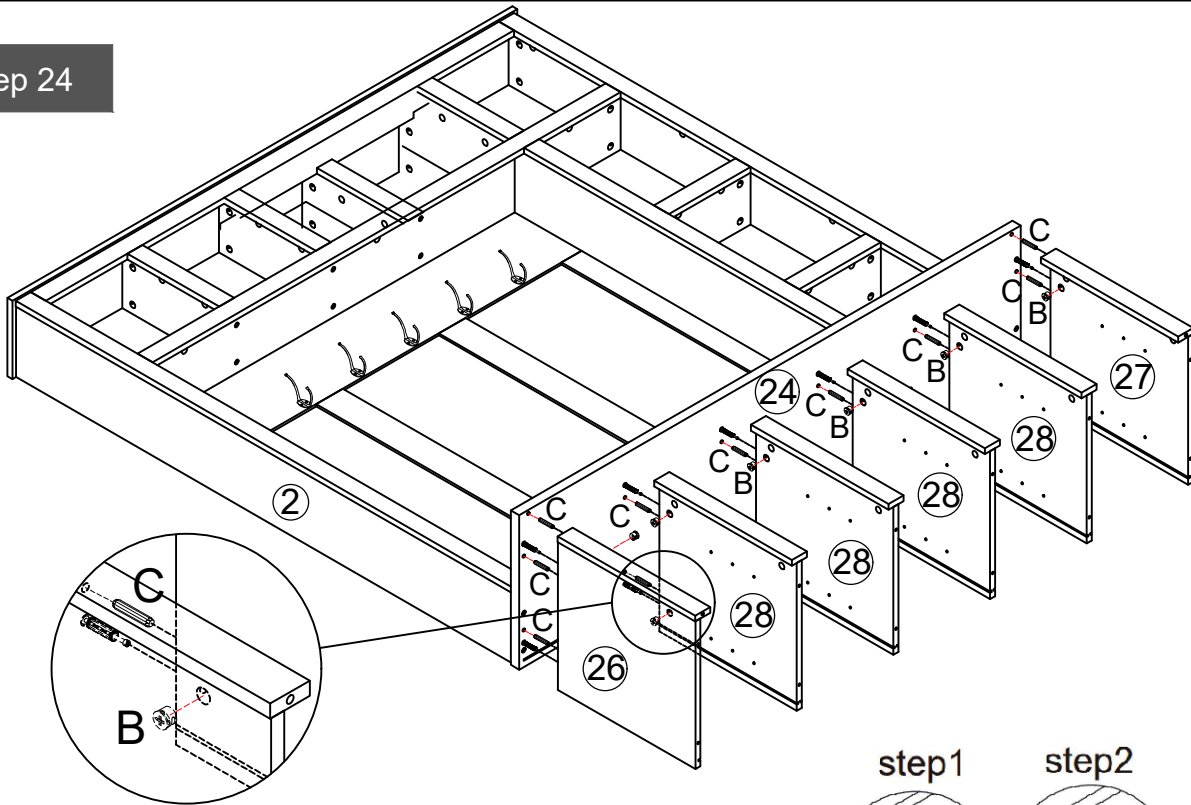


step3



Assembly Instructions

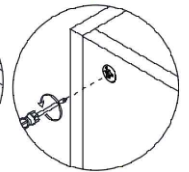
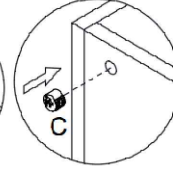
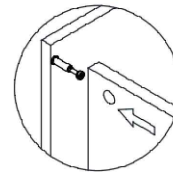
Step 24



step1

step2

step3

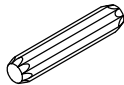


(B)



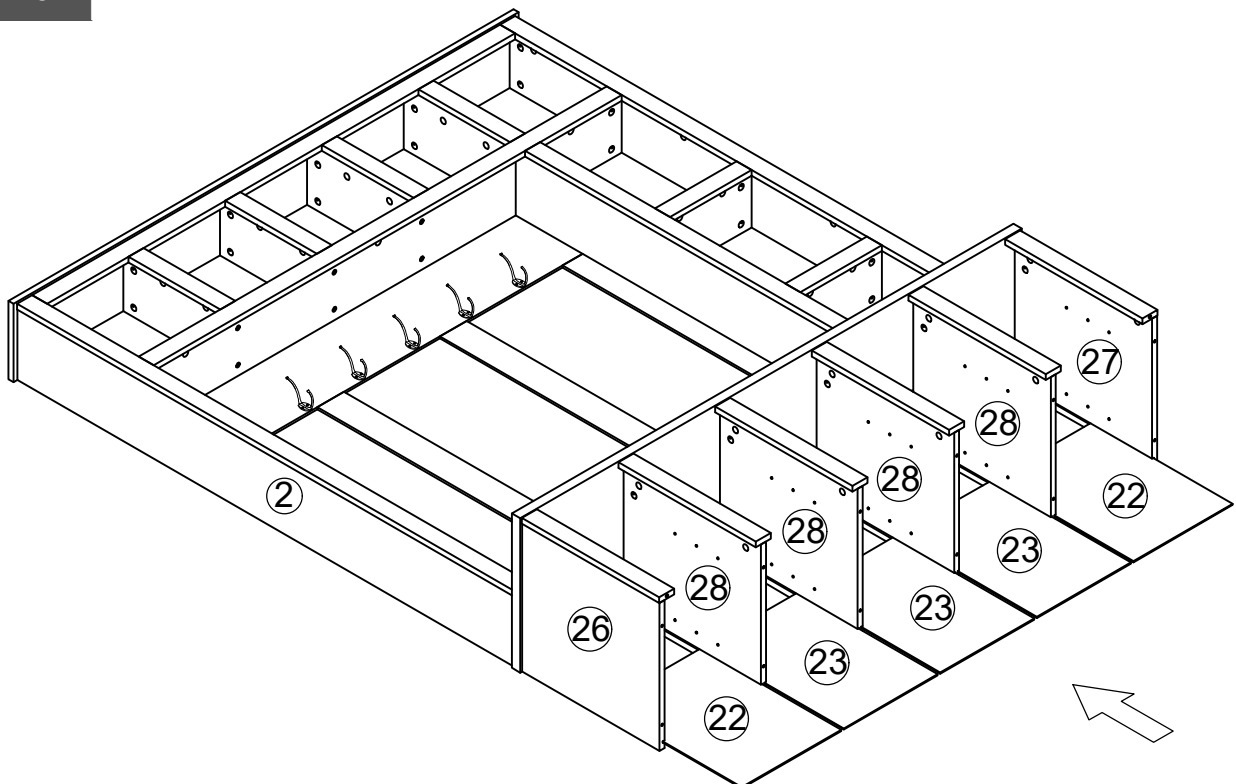
Cam lock x 12

(C)



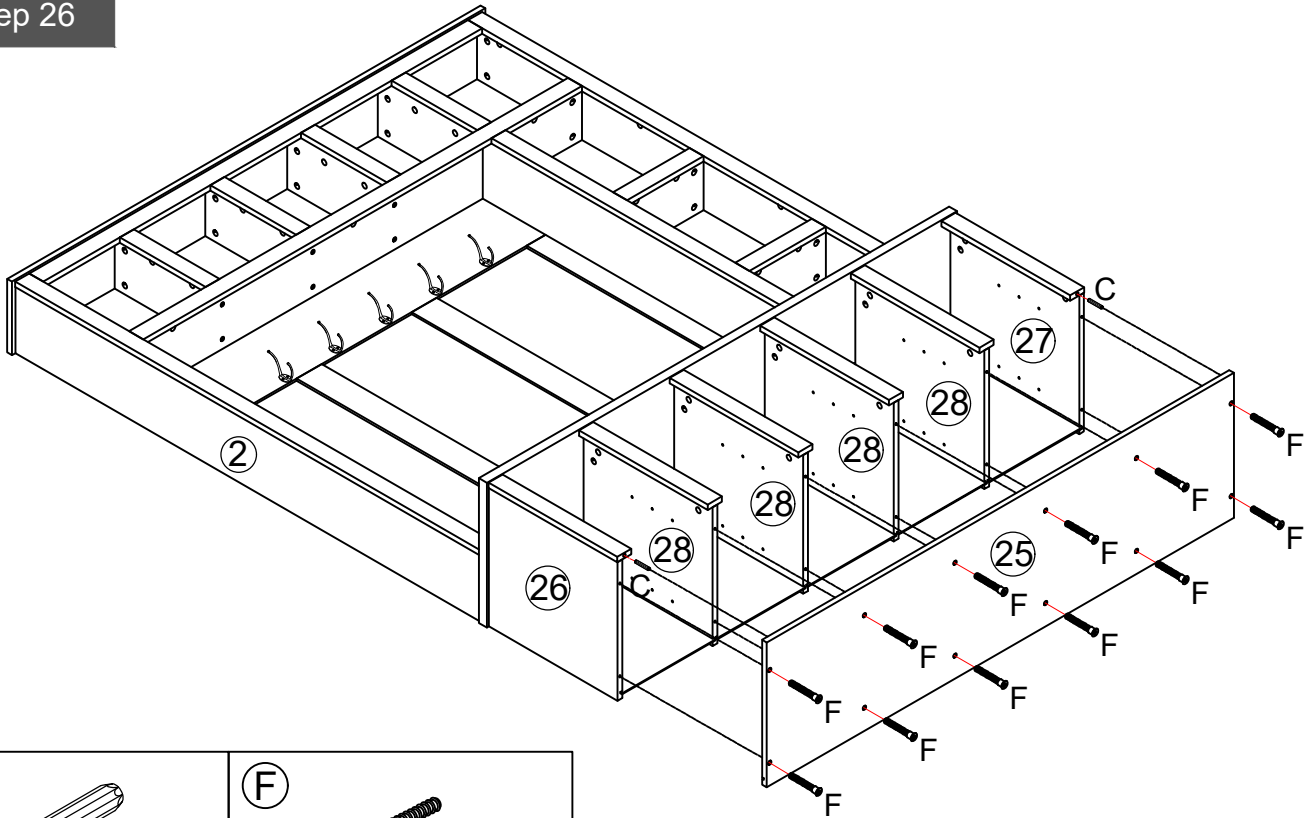
Dowel x 14

Step 25

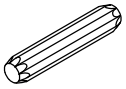


Assembly Instructions

Step 26



(C)



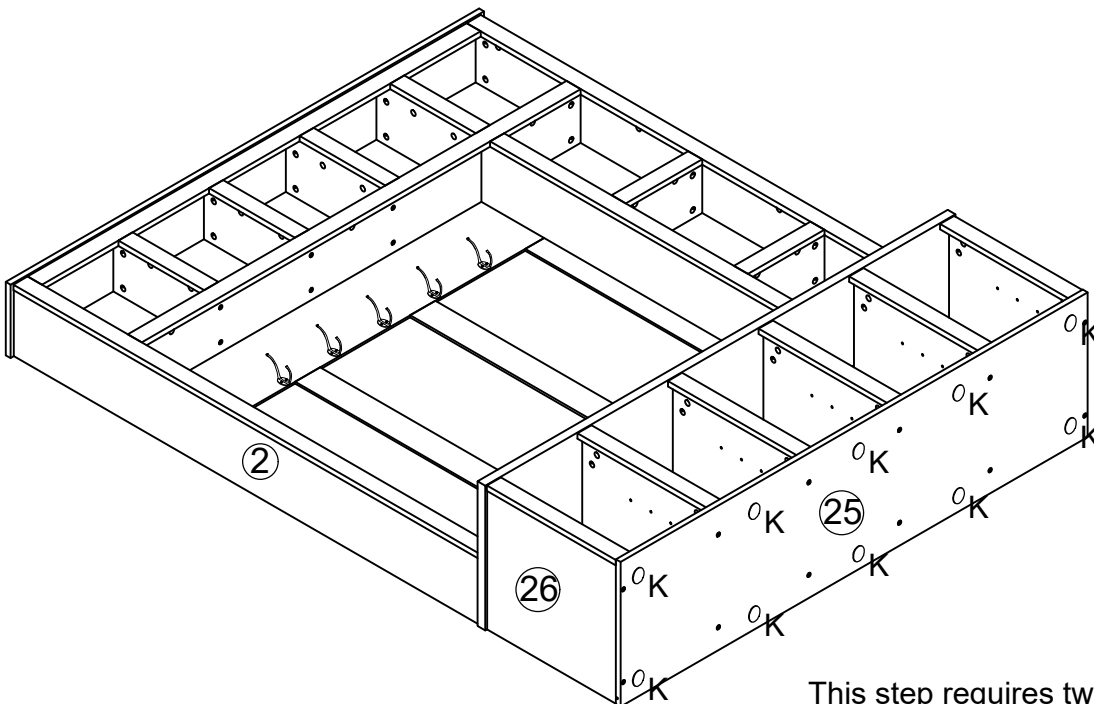
Dowel x 2

(F)



7*50mm Screw x 12

Step 27



(K)



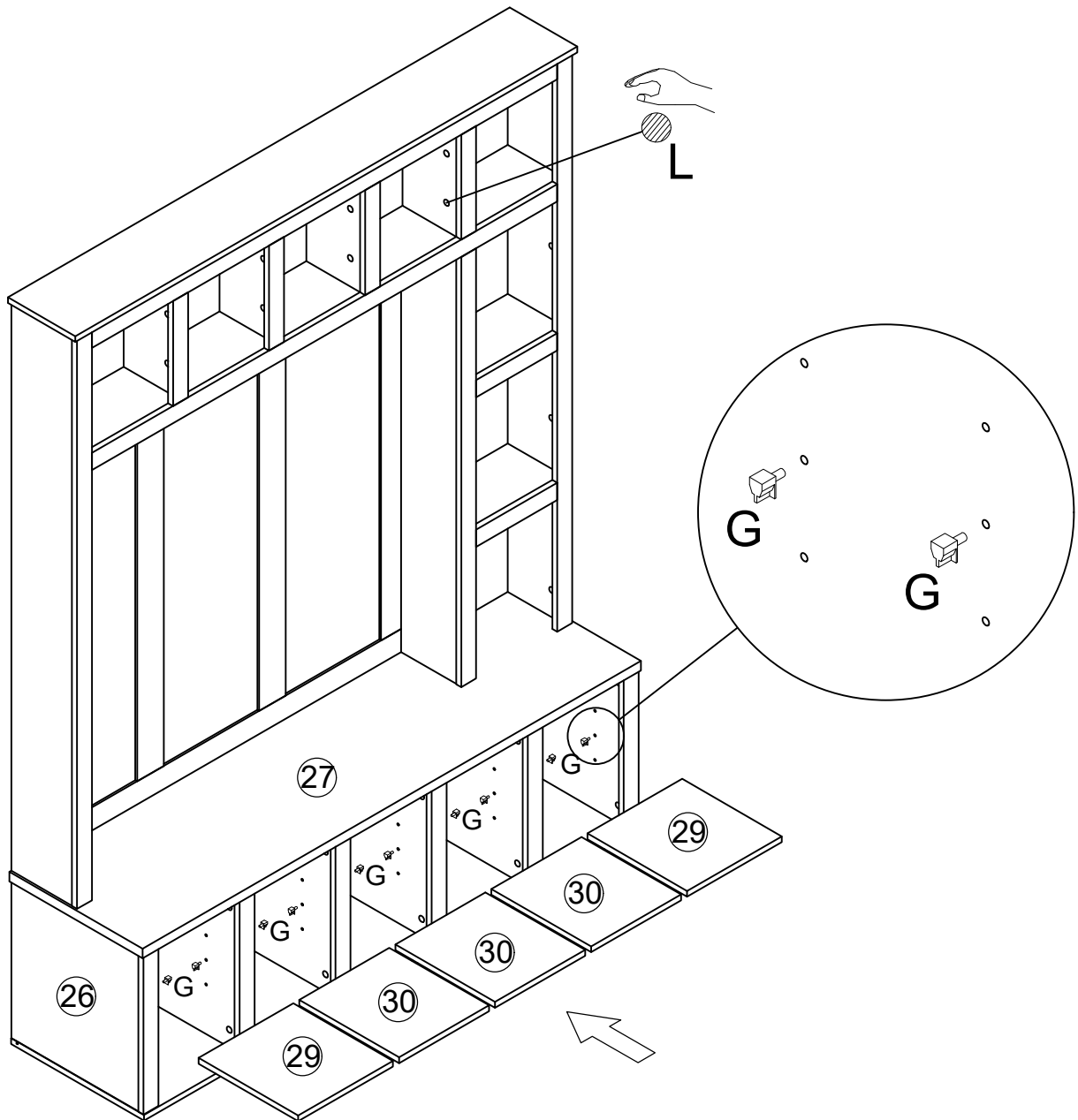
Felt mat X 10

This step requires two people to lift this product up. Please lift carefully.

Assembly Instructions

Step 28

In order to make the product more beautiful, please choose to paste L on the exposed holes.



(G)



Movable partition bracket x 20

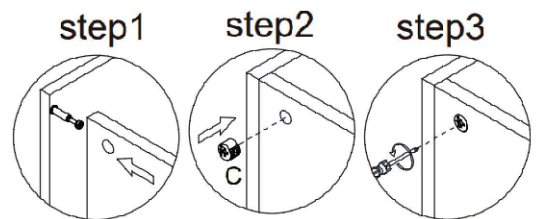
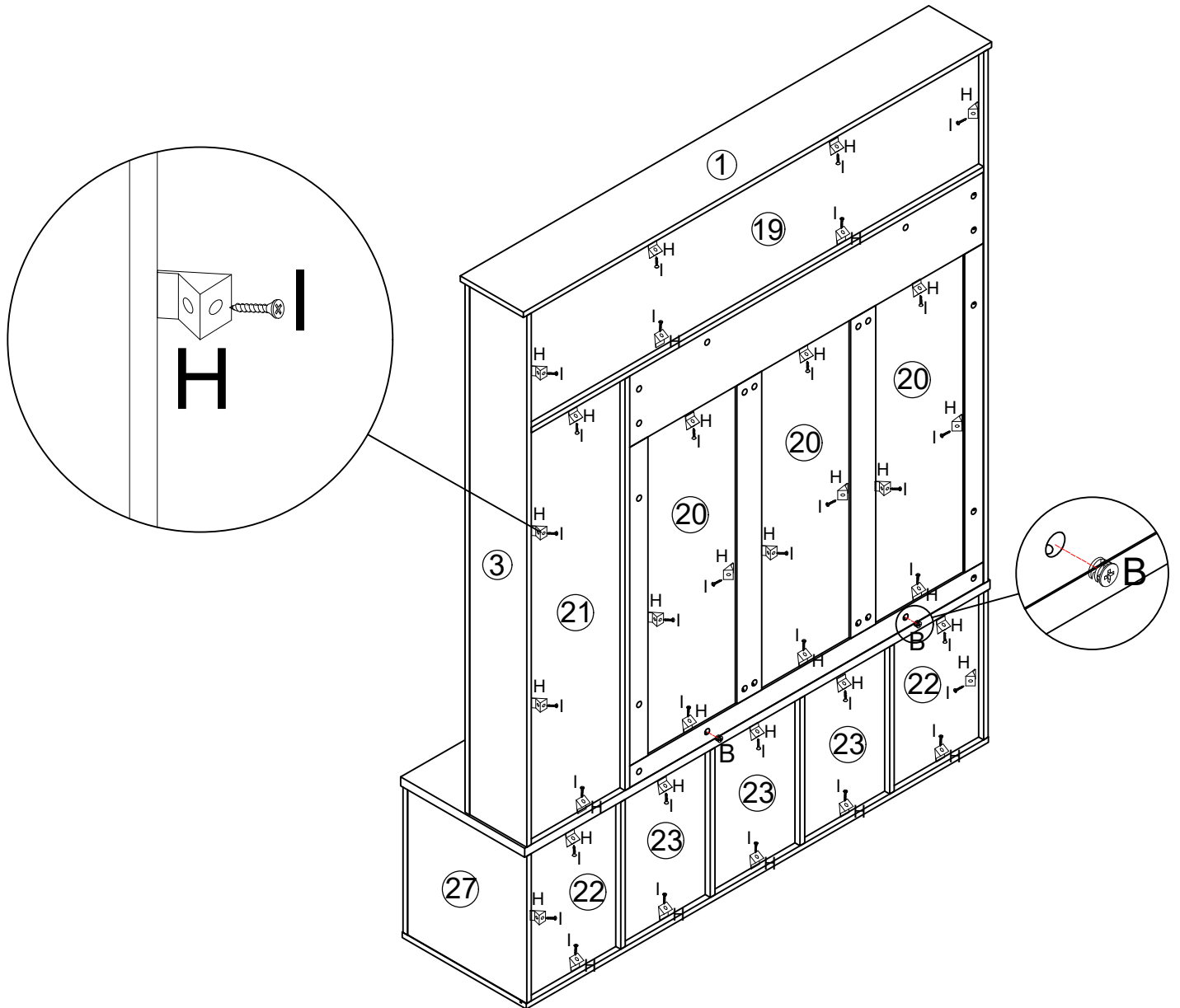
(L)






Sticker Cover x 64

Assembly Instructions

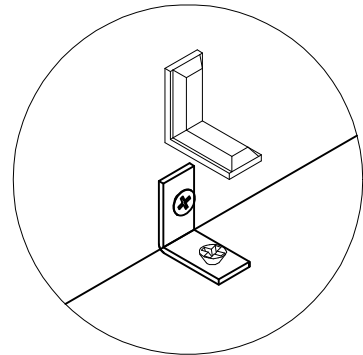
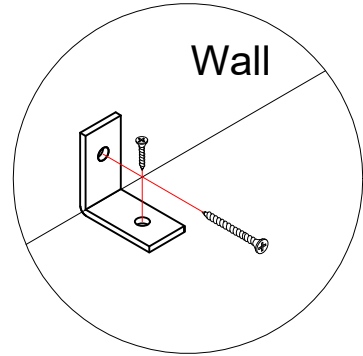
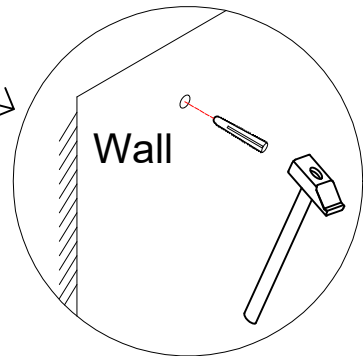
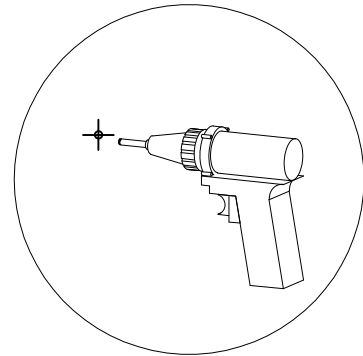
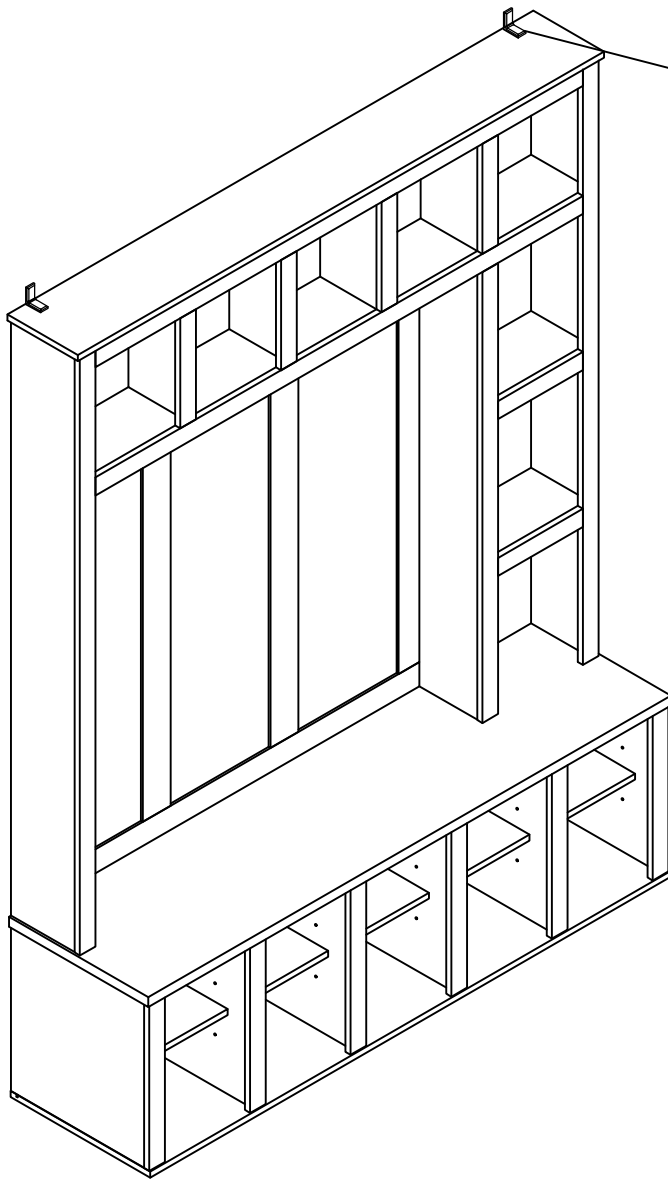
Step 29



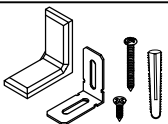
<p>(B)</p>  <p>Cam lock x 2</p>	<p>(H)</p>  <p>Plastic buckle x 34</p>	<p>(I)</p>  <p>3*12mm Screw x 34</p>
---	--	--

Assembly Instructions

Step 30



J



Anti-tipping device X 2

Assembly Instructions

