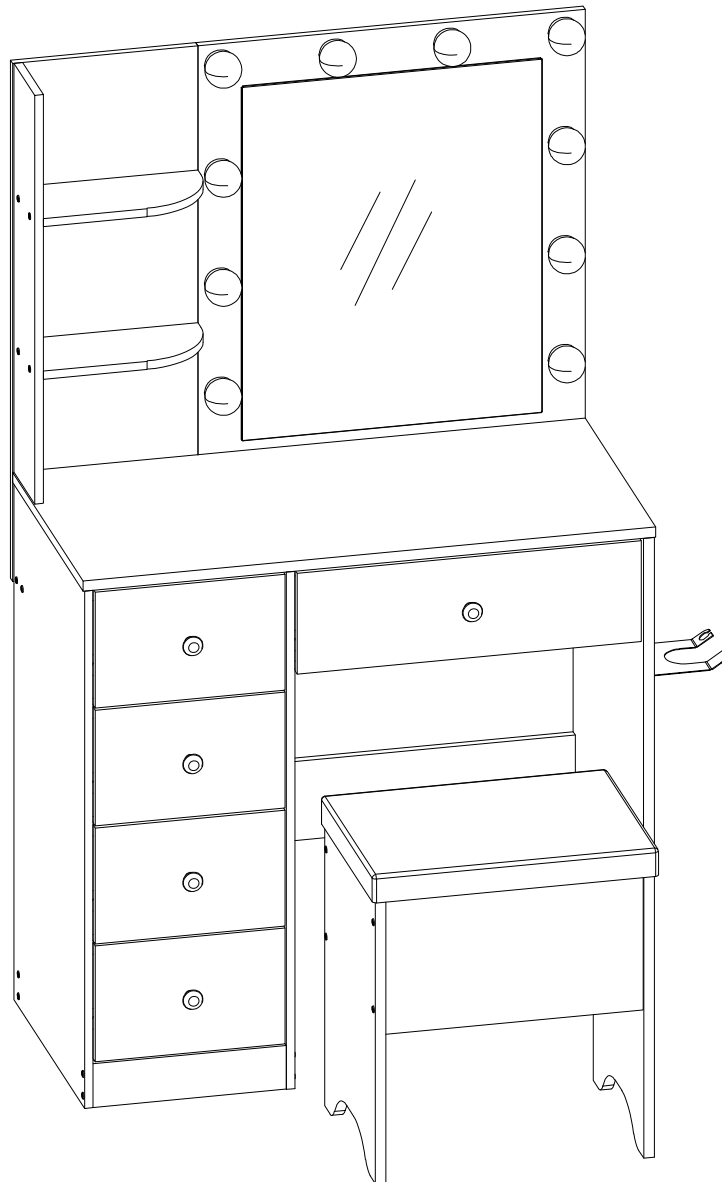


Installation Instruction

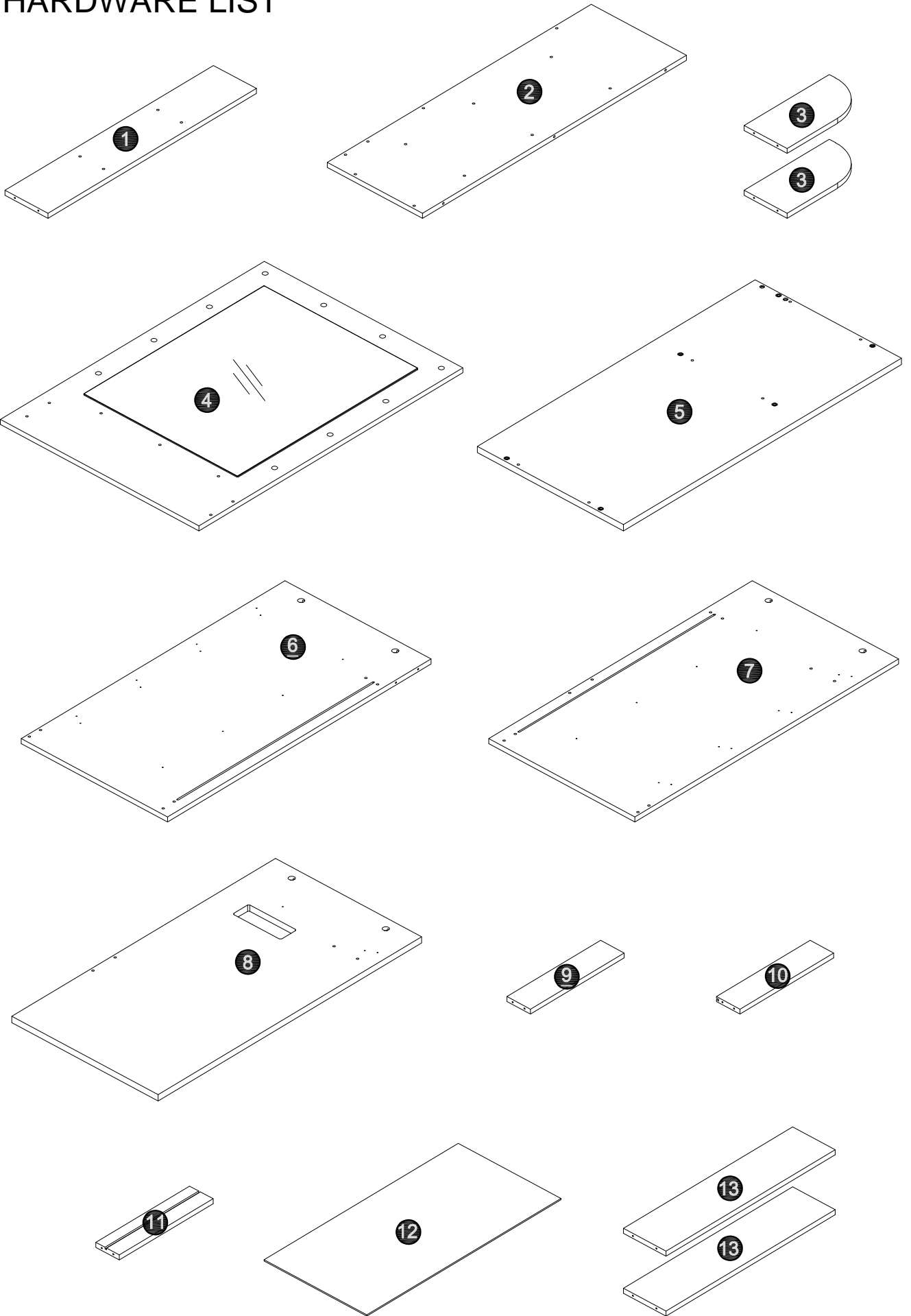
Please don't tighten the screws completely and go back later for a final tightening of all the screws after pieces are aligned with each other.

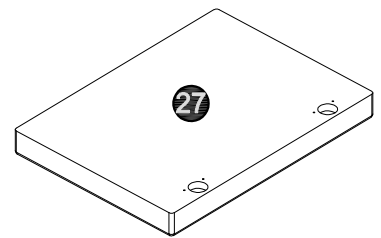
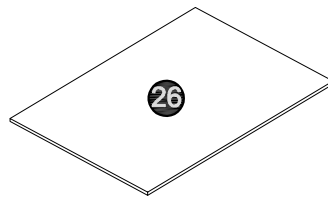
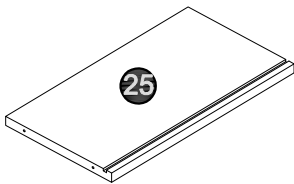
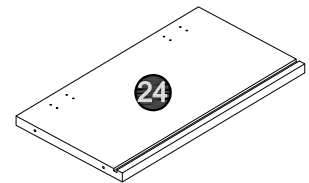
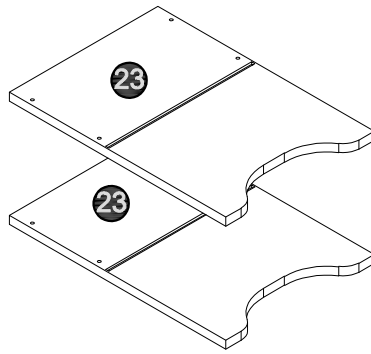
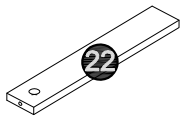
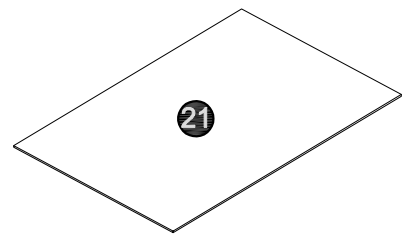
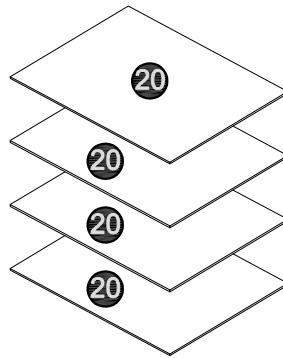
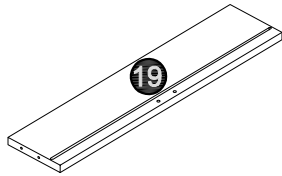
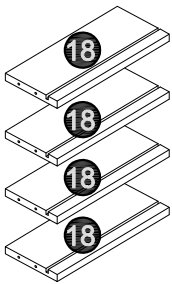
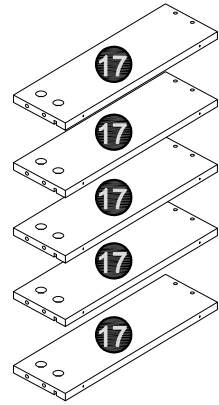
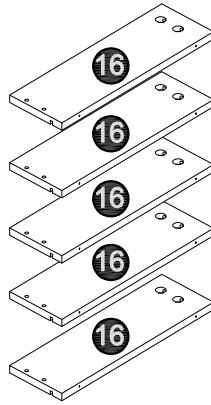
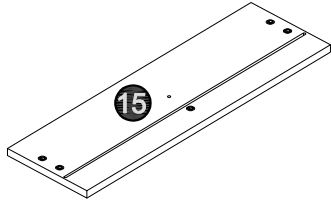
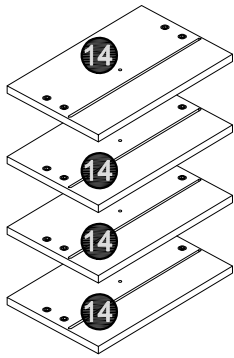
HK-JCS-29






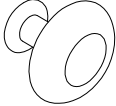

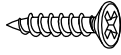


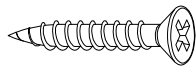
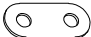
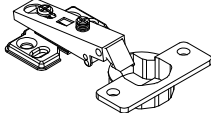
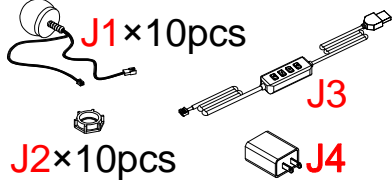
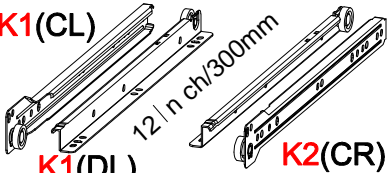
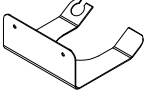
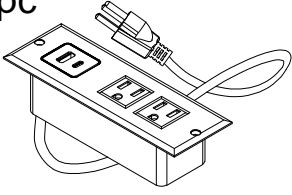

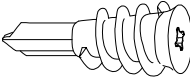
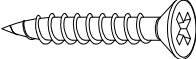
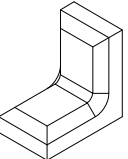
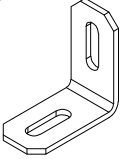
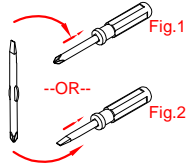
MADE IN CHINA

HARDWARE LIST



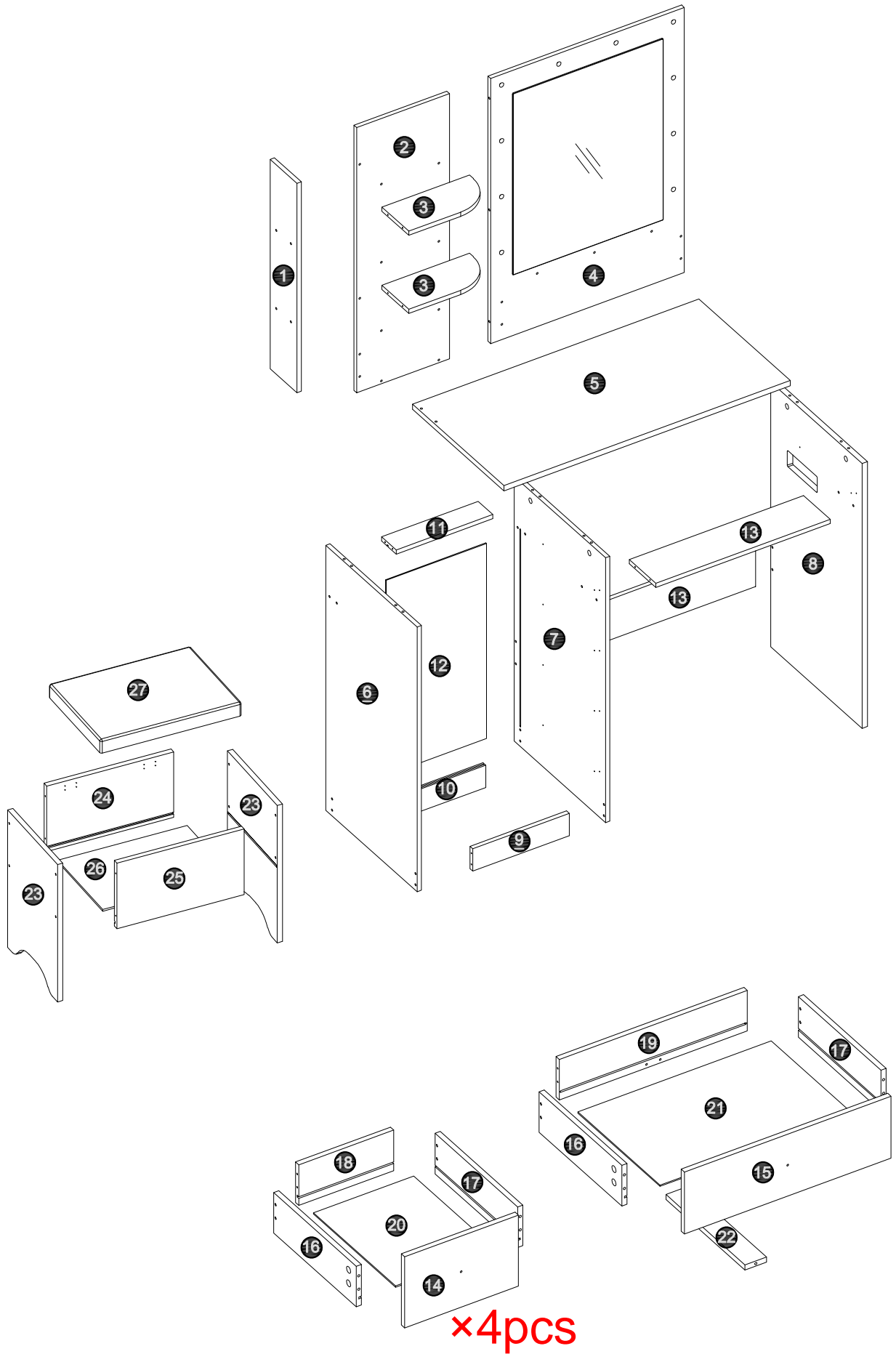


PARTS LIST

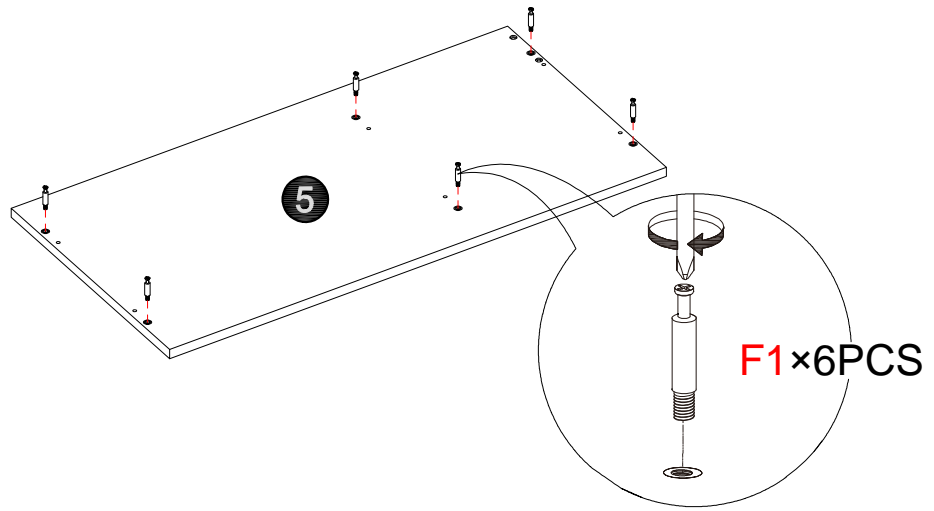
<p>A×1pc</p>  <p>M4</p>	<p>B×73pcs</p>  <p>M5x46mm</p>	<p>C×9pcs</p>  <p>Ø6x30mm</p>
<p>D1×5pcs</p> 	<p>D2×5pcs</p>  <p>M4×16mm</p>	<p>E×63pcs</p>  <p>Ø7xM3.5x12mm</p>
<p>F1×27pcs</p>  <p>Ø6.5×36mm</p>	<p>F2×27pcs</p>  <p>Ø 15×9.8mm</p>	<p>G×2pcs</p>  <p>Ø8xM4x30mm</p>
<p>H×3pcs</p>  <p>35*13*0.8mm</p>	<p>I×2pcs</p> 	<p>J×10pcs</p> <p>J1×10pcs</p> <p>J2×10pcs</p> <p>J3</p> <p>J4</p> 
<p>K×5pcs</p> <p>K1(CL)</p> <p>K1(DL)</p> <p>K2(DR)</p> <p>K2(CR)</p>  <p>12 in ch/300mm</p>	<p>L×1pc</p>  <p>110*110*52mm</p>	<p>M×1pc</p> 
<p>Q1×1pc</p>  <p>Ø6x25mm</p>	<p>Q2×1pc</p>  <p>Ø13x40mm</p>	<p>Q3×1pc</p>  <p>Ø8xM4x25mm</p>
<p>R1×1pc</p>  <p>28x28x18mm</p>	<p>R2×1pc</p>  <p>26x26x13.5mm</p>	 <p>Fig.1</p> <p>--OR--</p> <p>Fig.2</p>



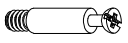
Please lay down a carpet or cardboard before installation to avoid scratching the baseboard and damaging the panels.,



1

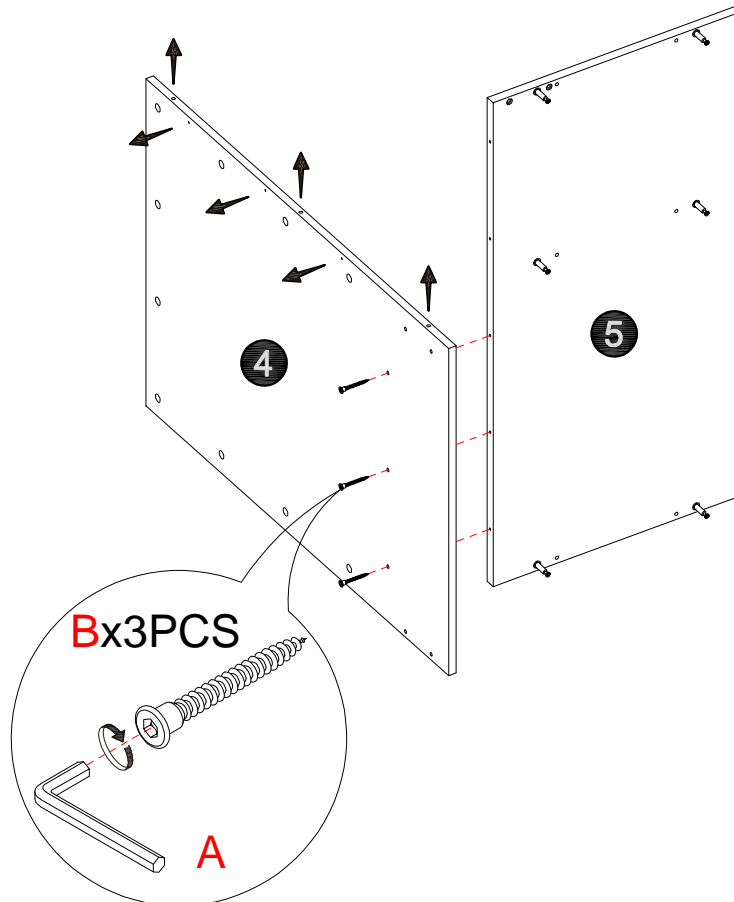


5 x 1 PC



F1 x 6 PCS

2



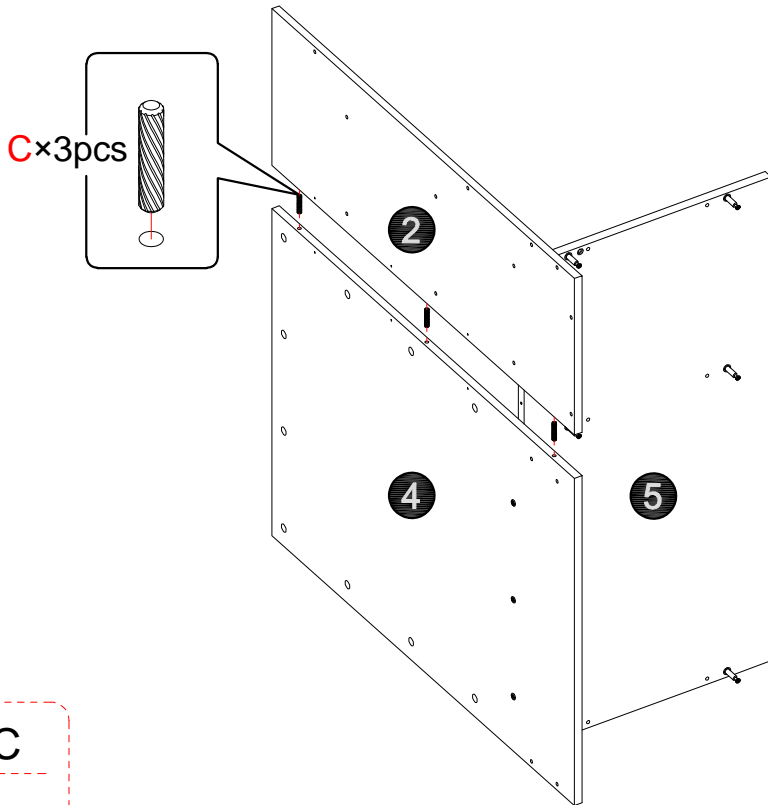
4 x 1 PC

5 x 1 PC



B x 3 PCS

3

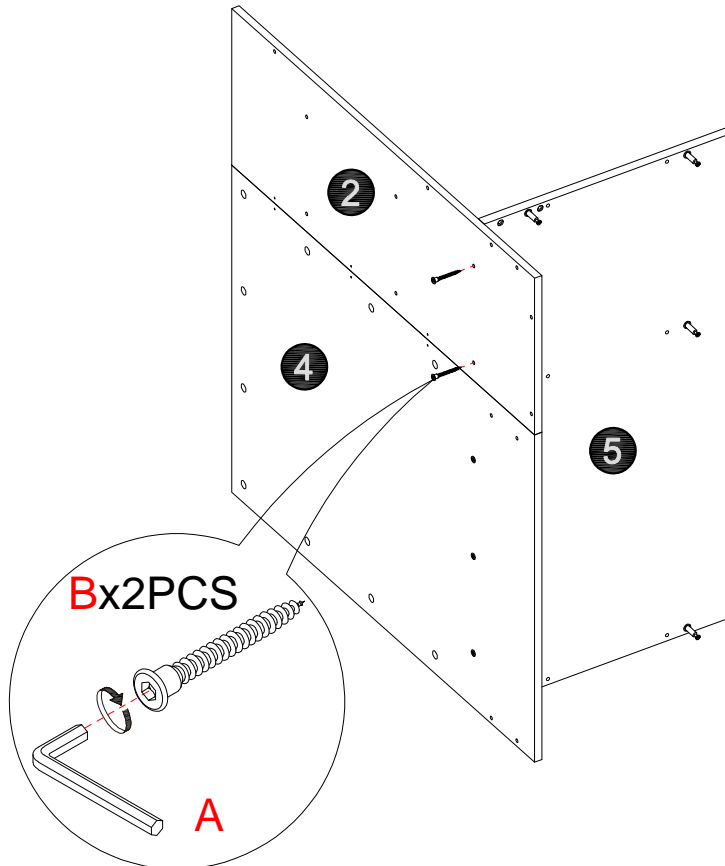


2 x 1 PC



C x 3 PCS

4

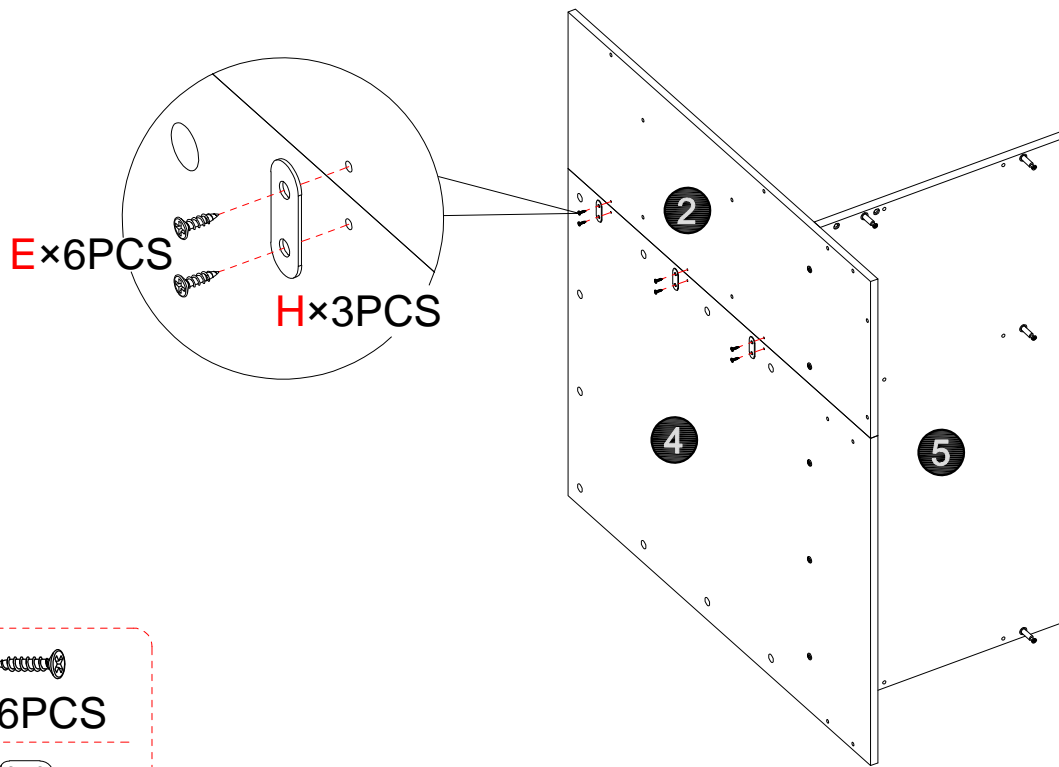


2 x 1 PC



B x 2 PCS

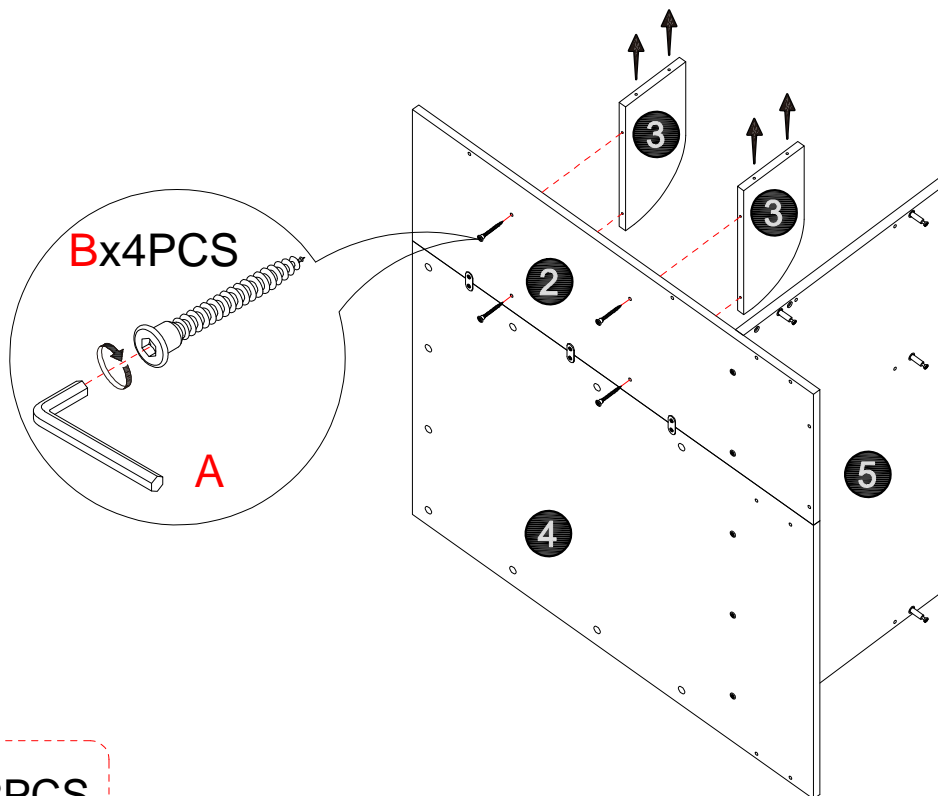
5




E x 6PCS


H x 3PCS

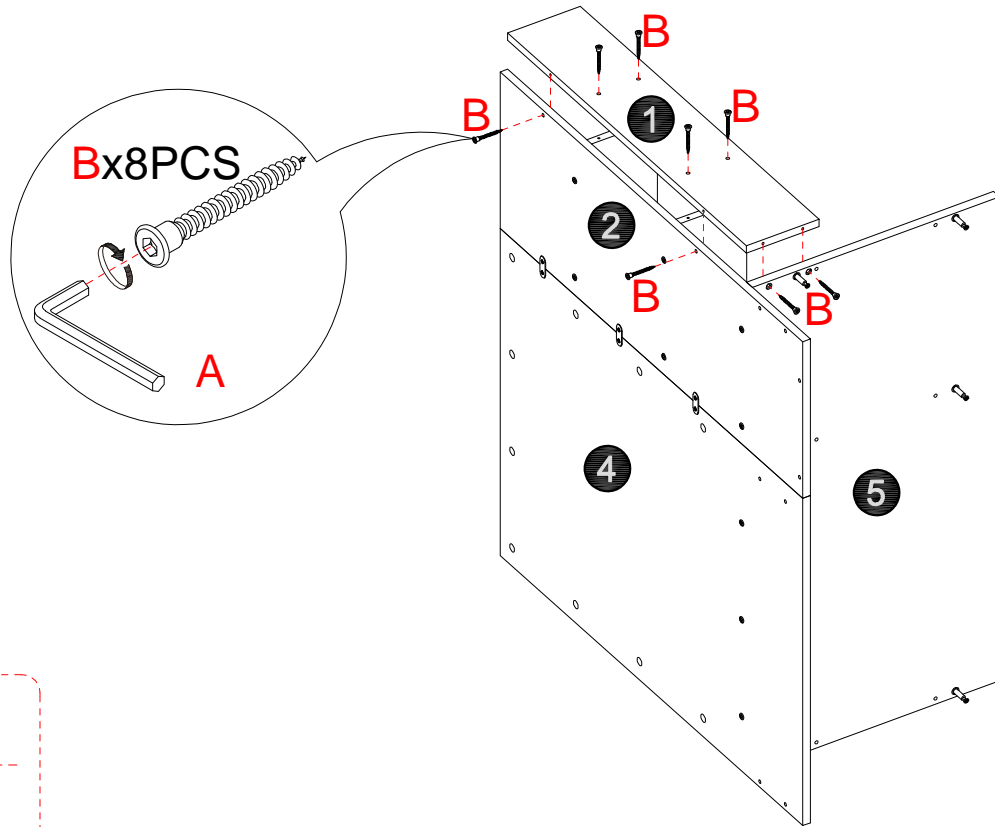
6



 x 2PCS


B x 4PCS

7



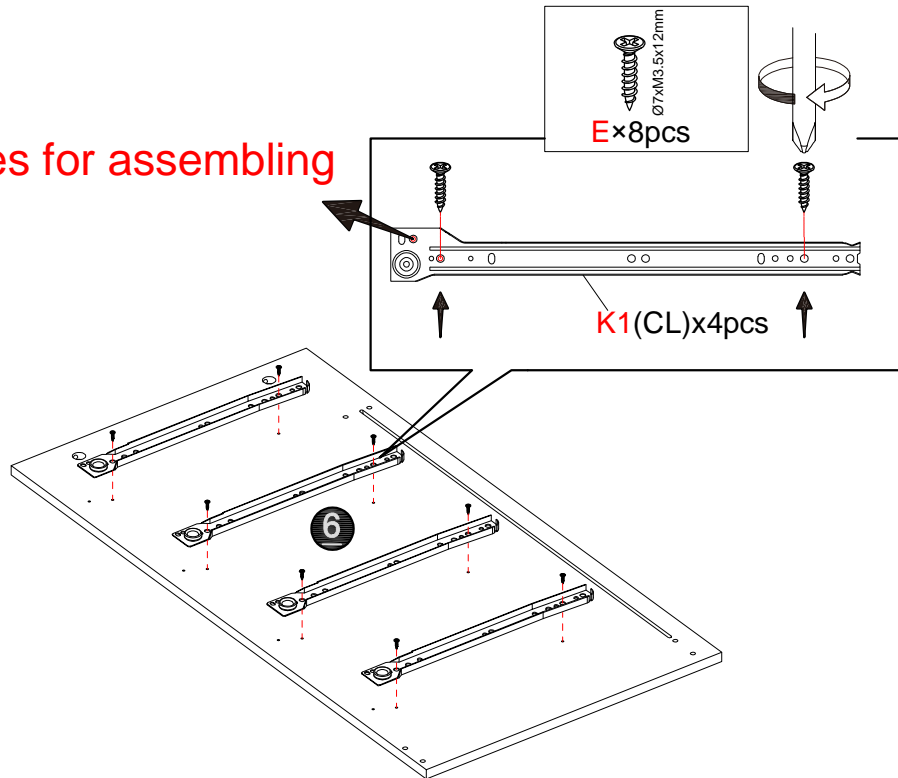
①×1PC



B×8PCS

8

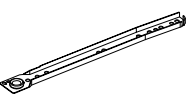
Positioning holes for assembling the slide rail



⑥×1PC



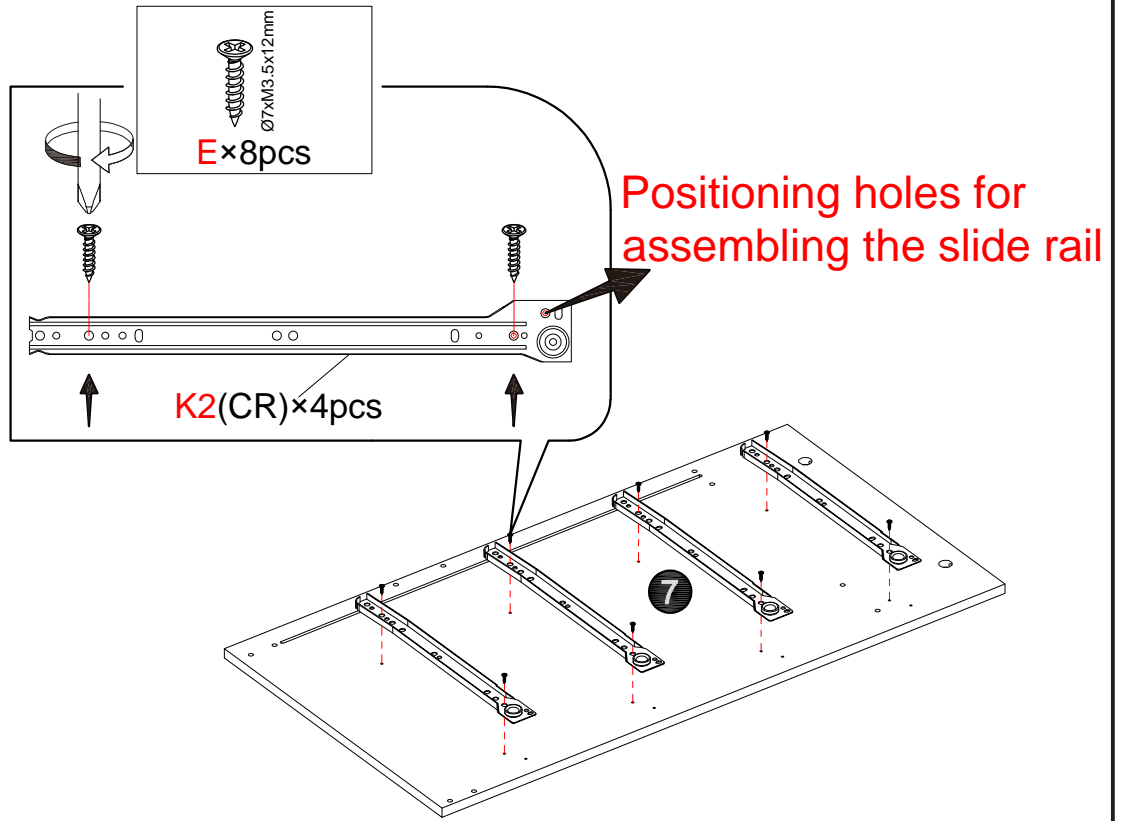
E×8PCS



K1(CL)×4PCS

9.

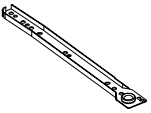
9



7 × 1 PC



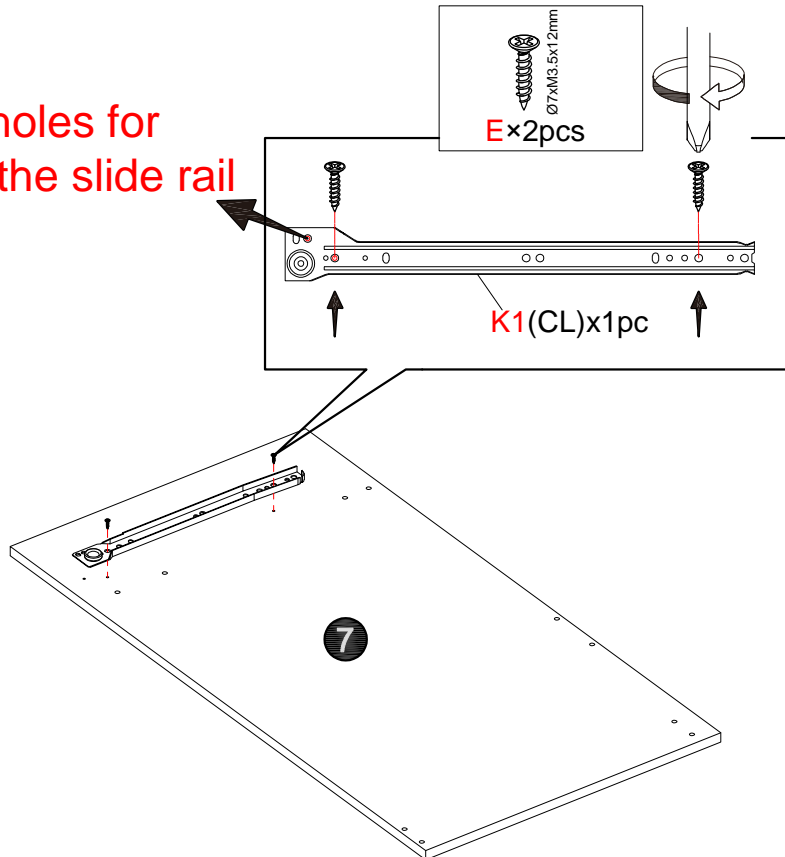
E × 8 PCS



K2(CR) × 4 PCS

10

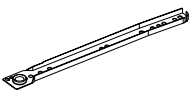
Positioning holes for assembling the slide rail



7 × 1 PC

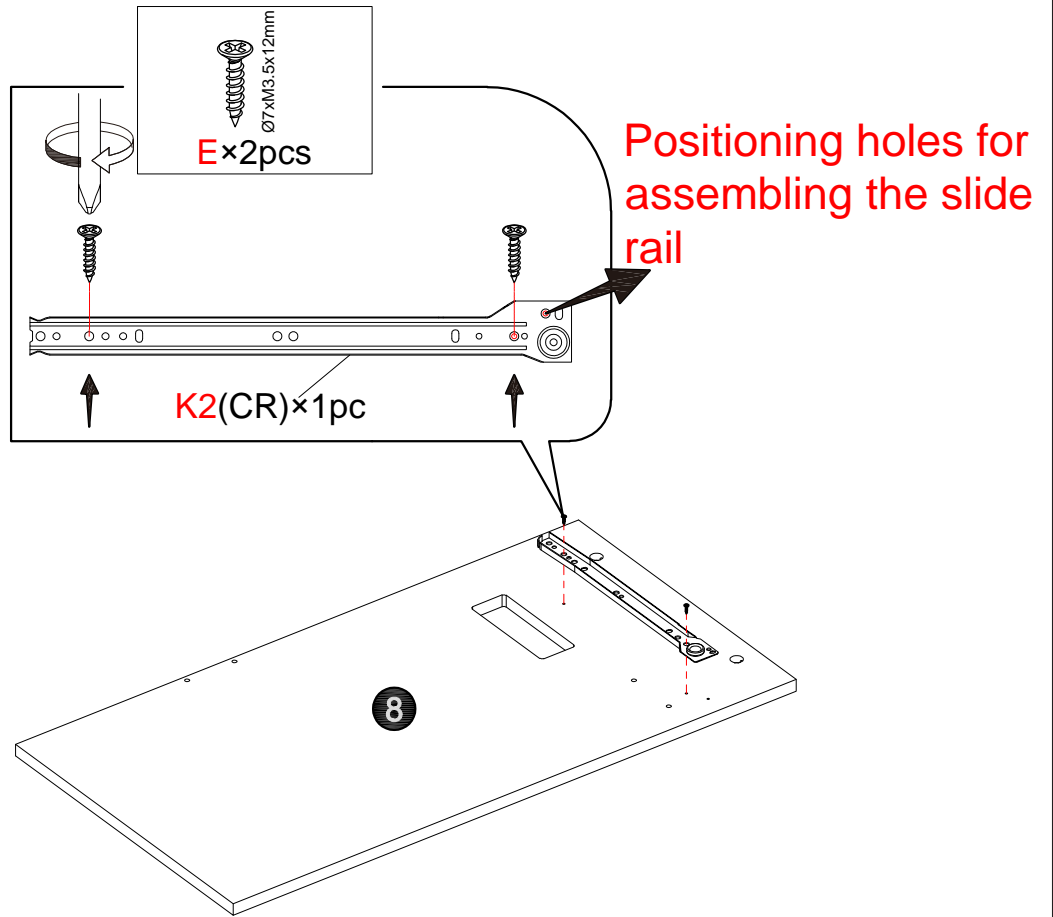


E × 2 PCS



K1(CL) × 1 PC

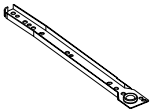
11



8 x 1PC

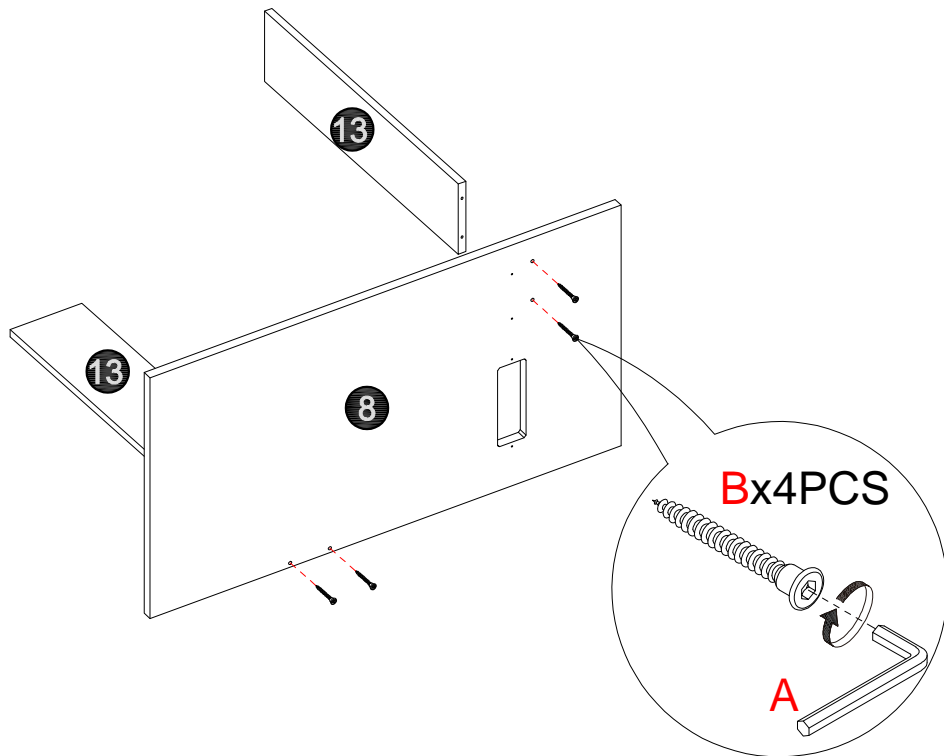


E x 2PCS



K2(CR) x 1PC

12



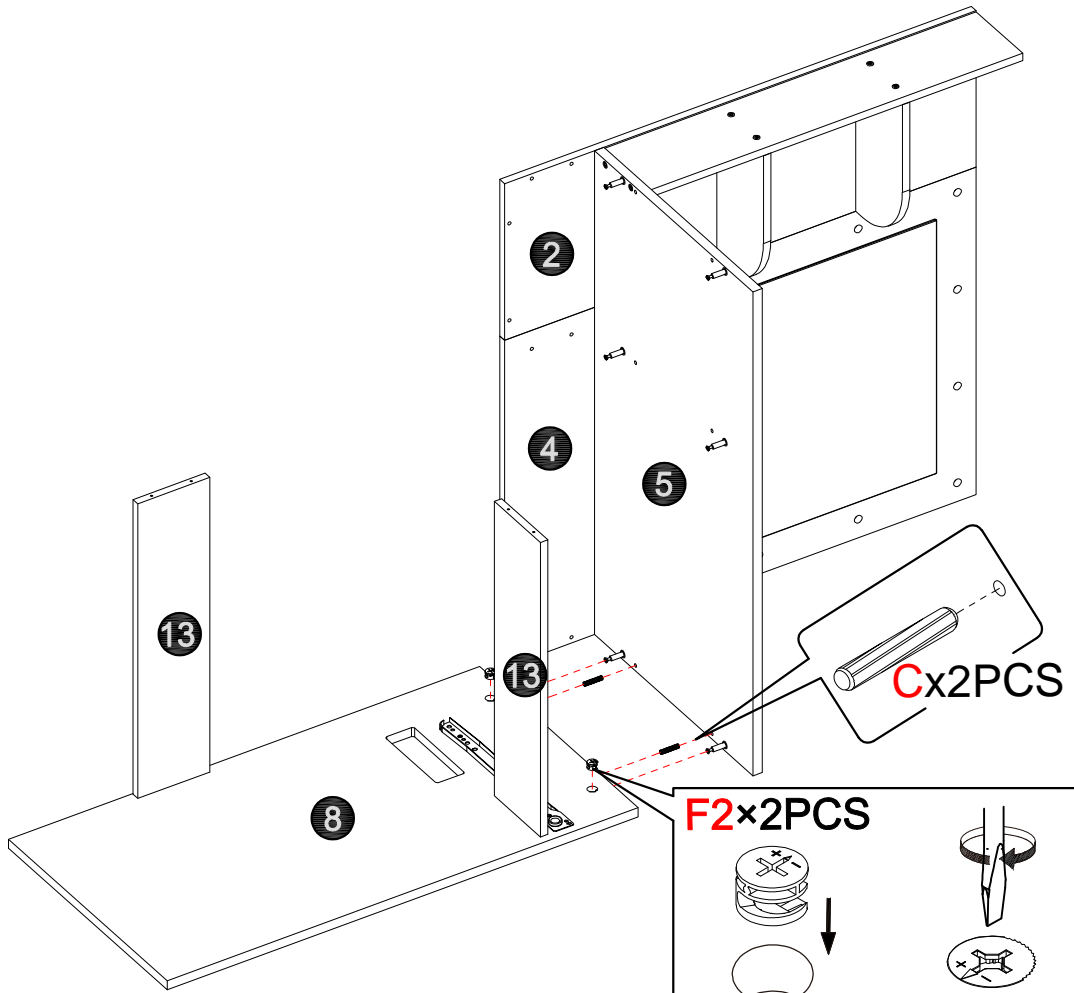
8 x 1PC

13 x 2PCS

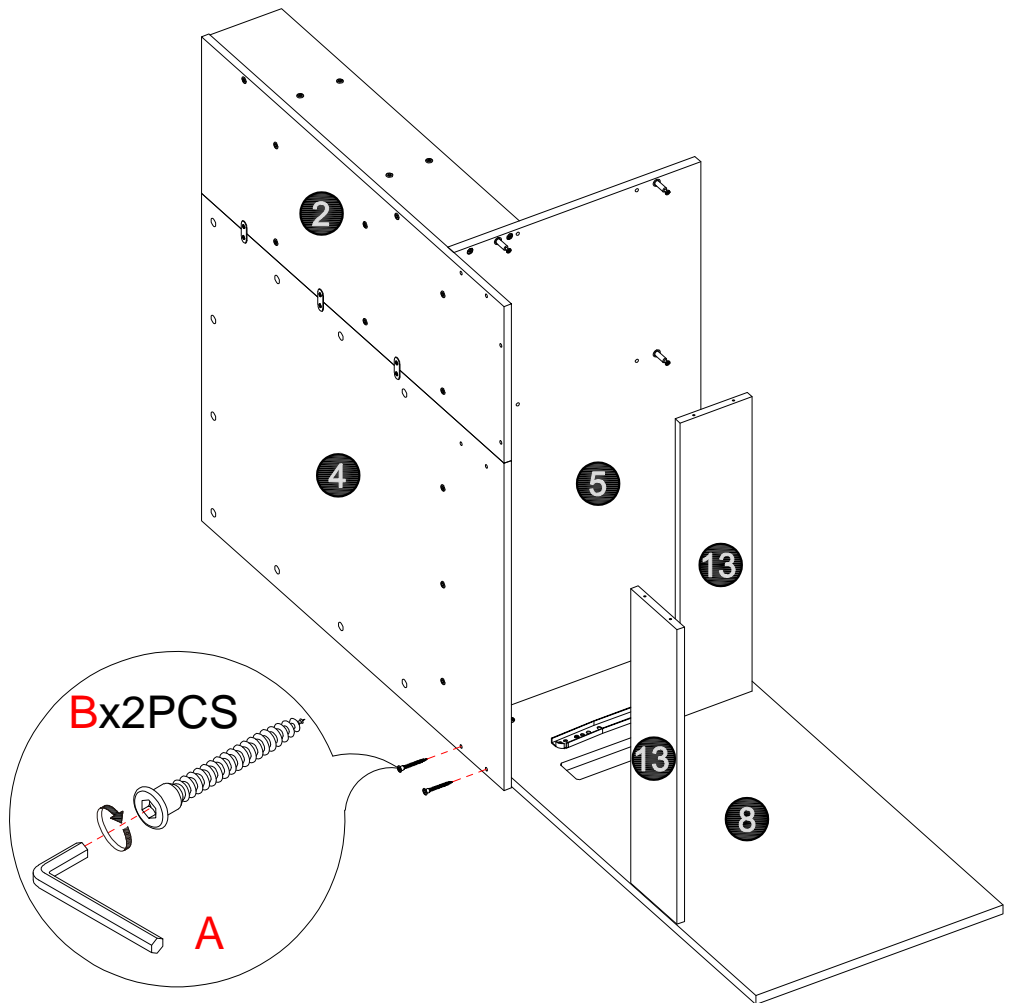


B x 4PCS

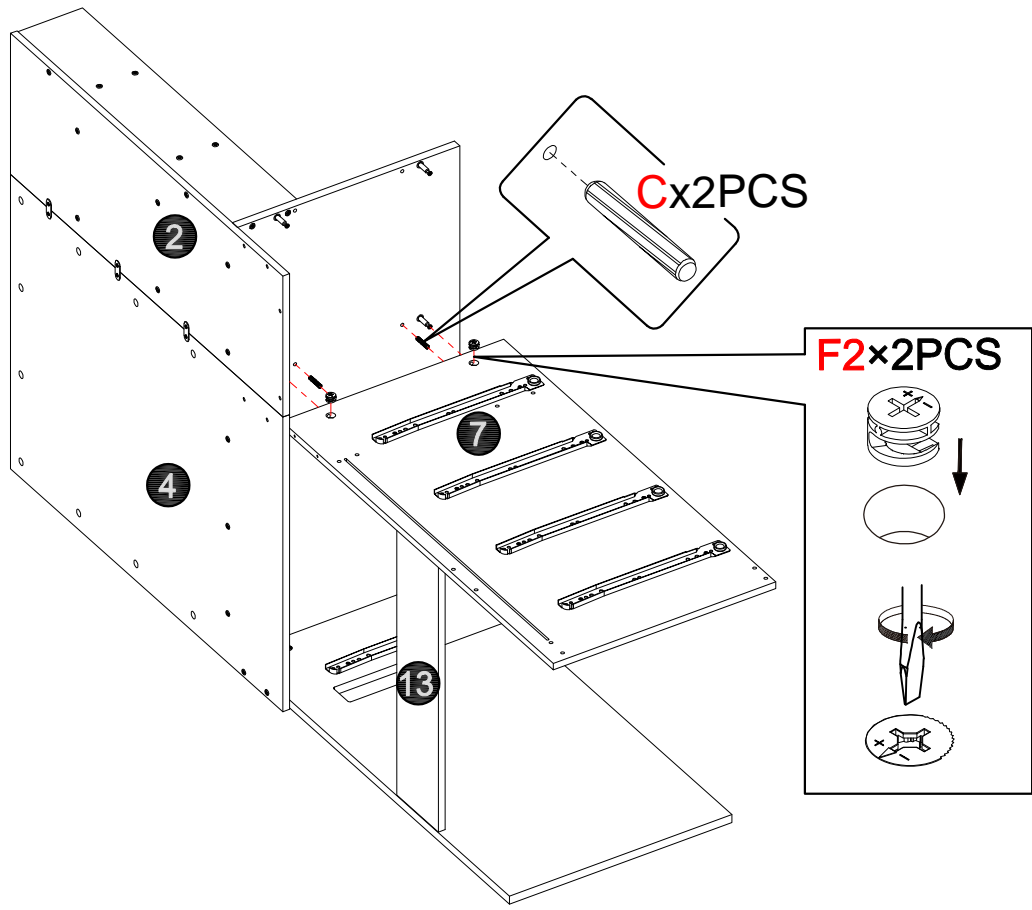
13



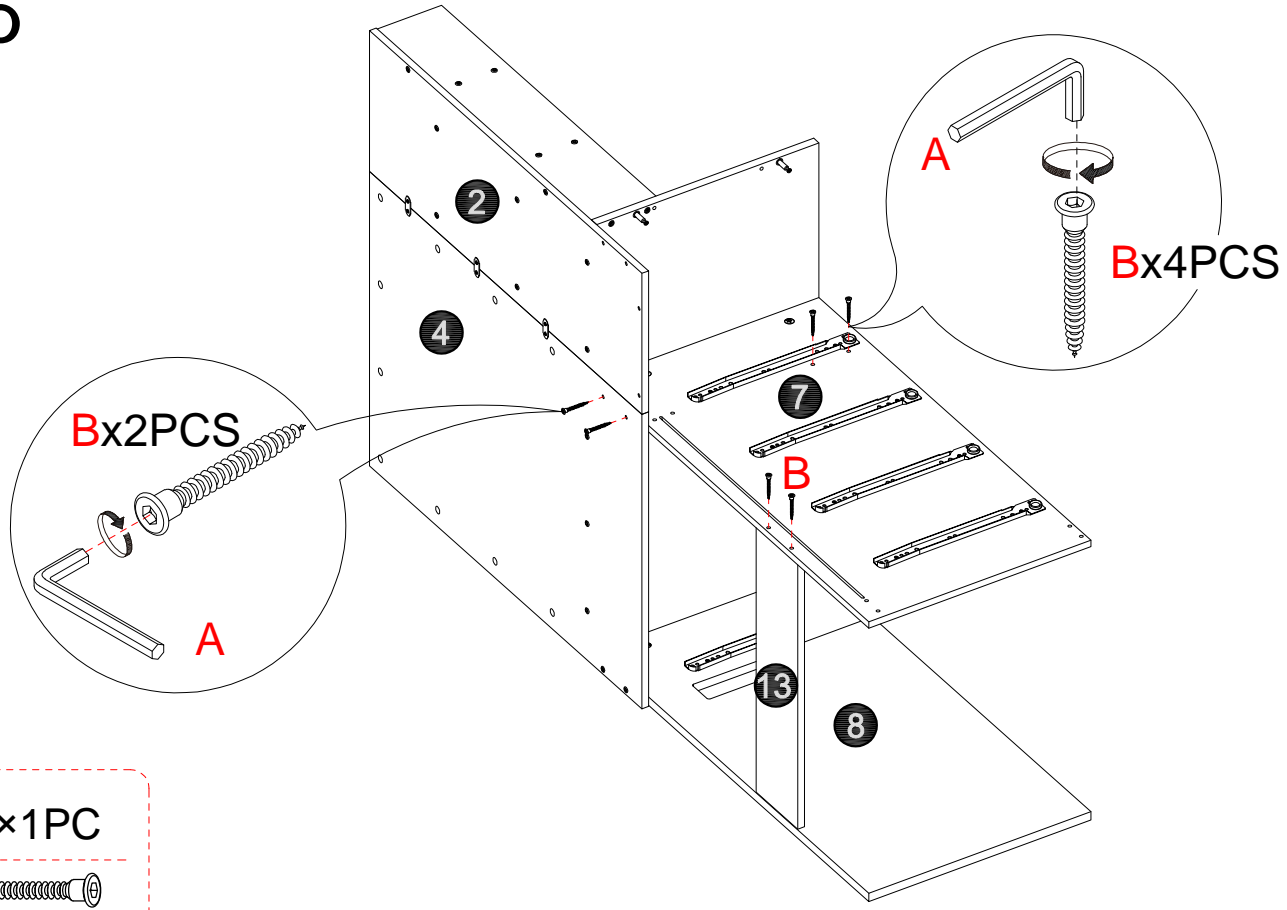
14



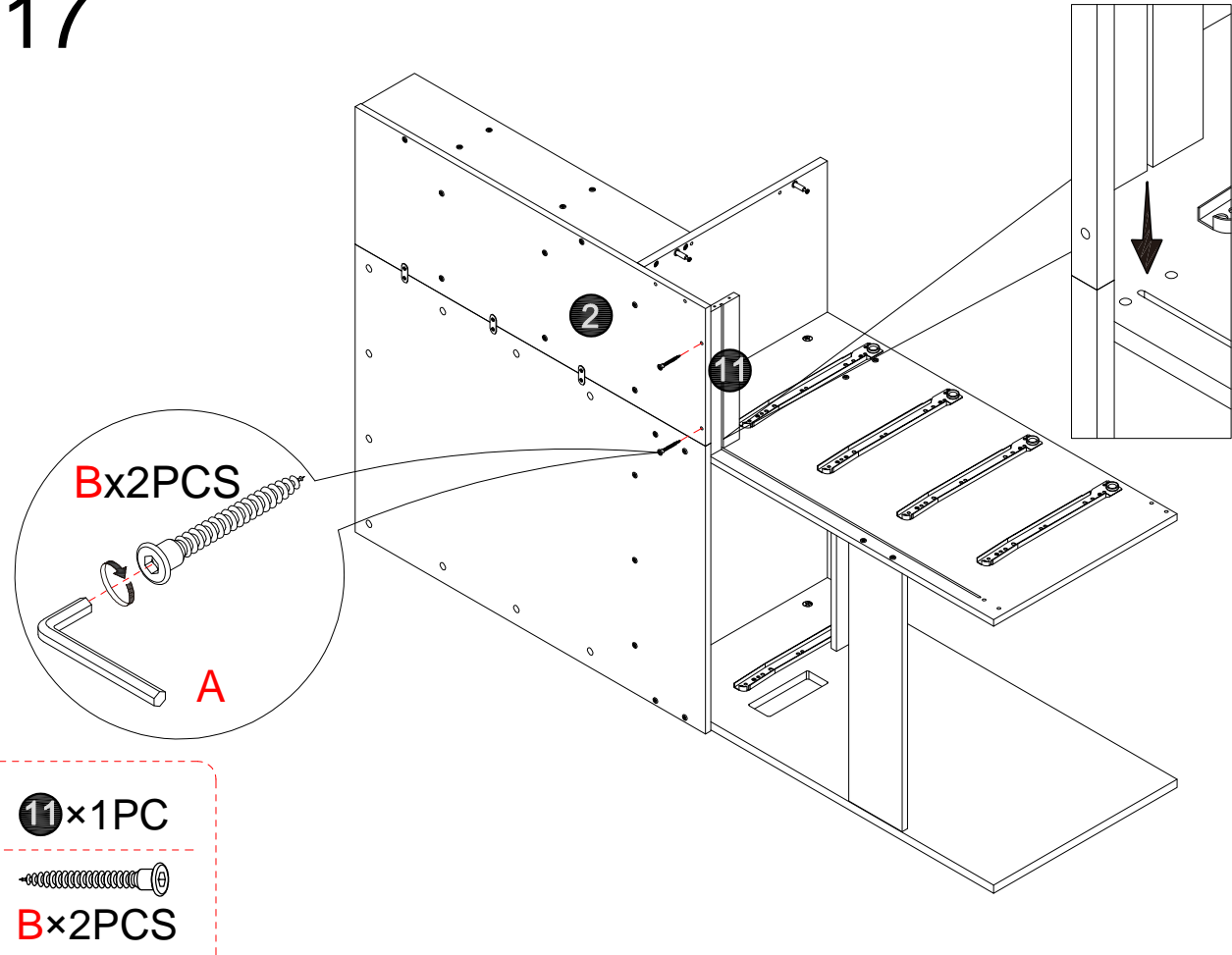
15



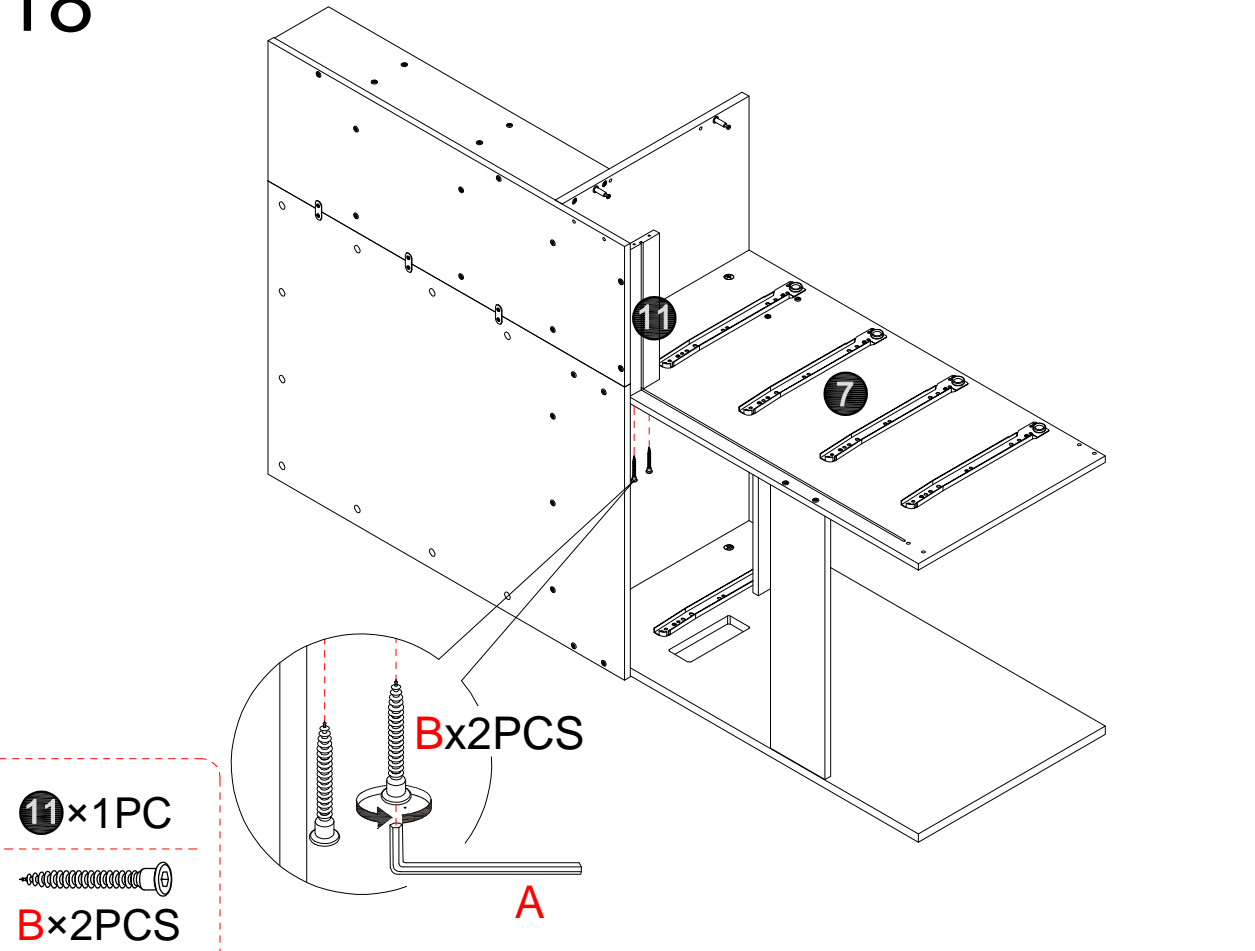
16



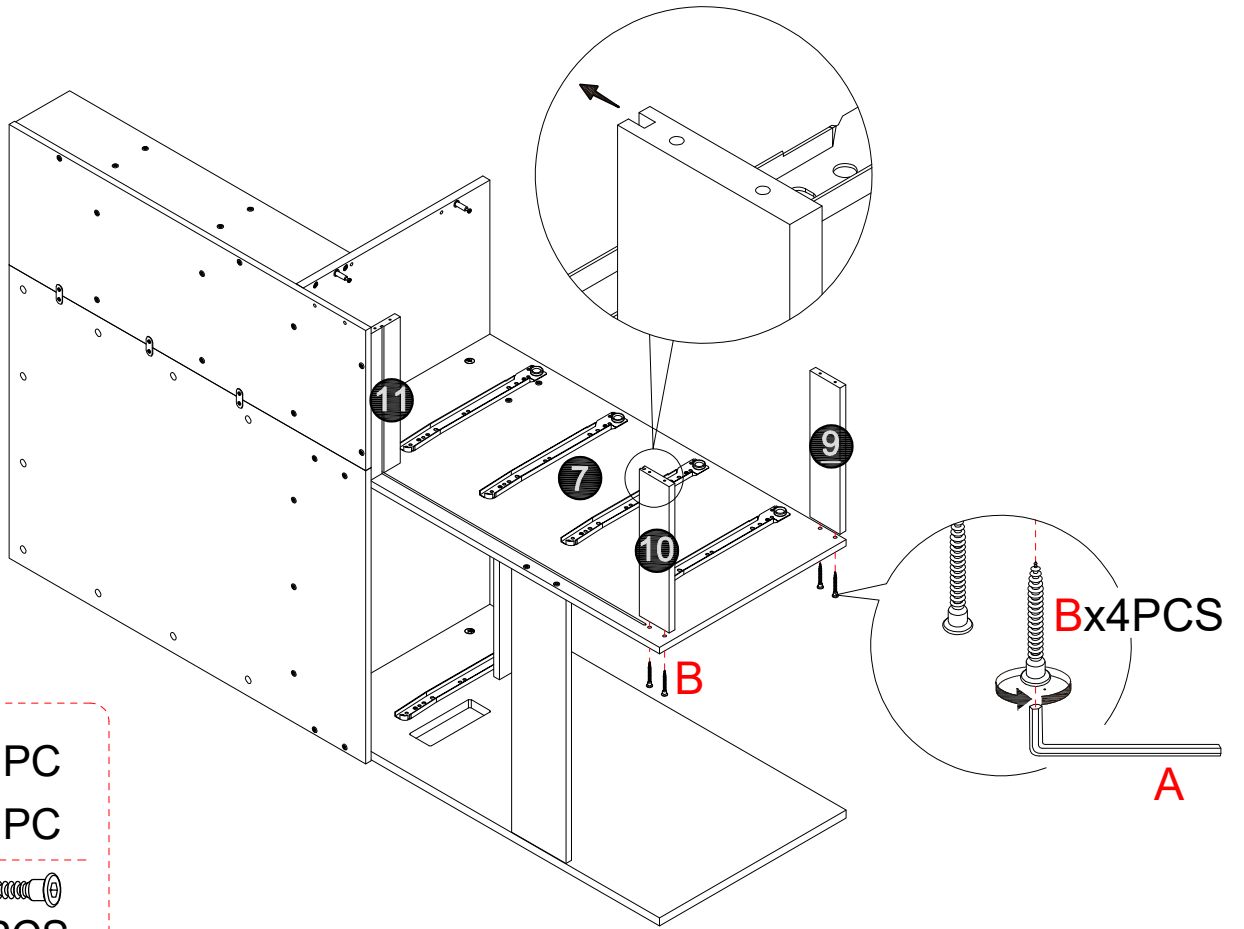
17



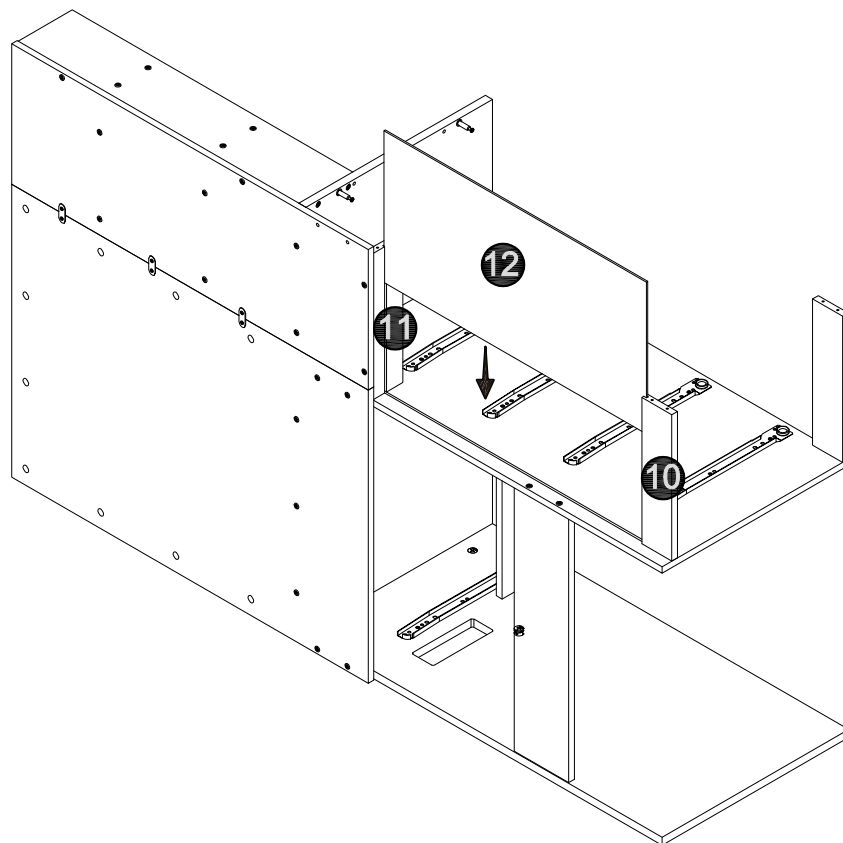
18



19

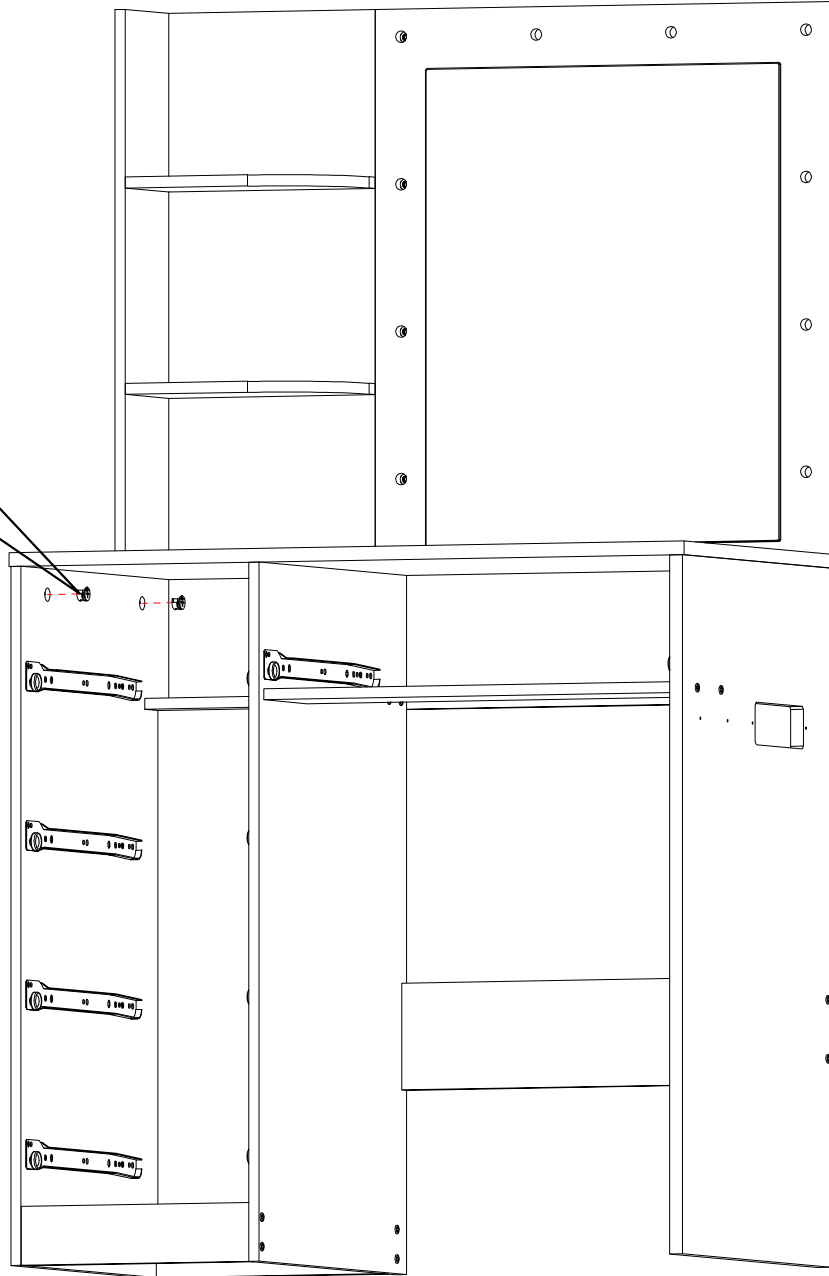
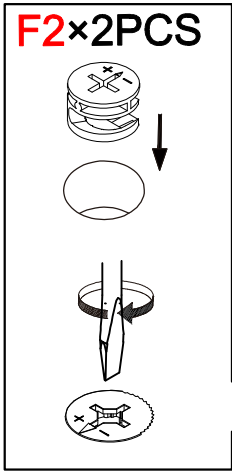


20

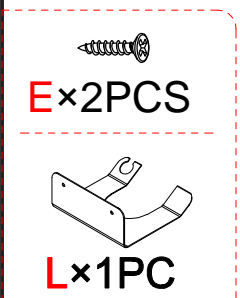
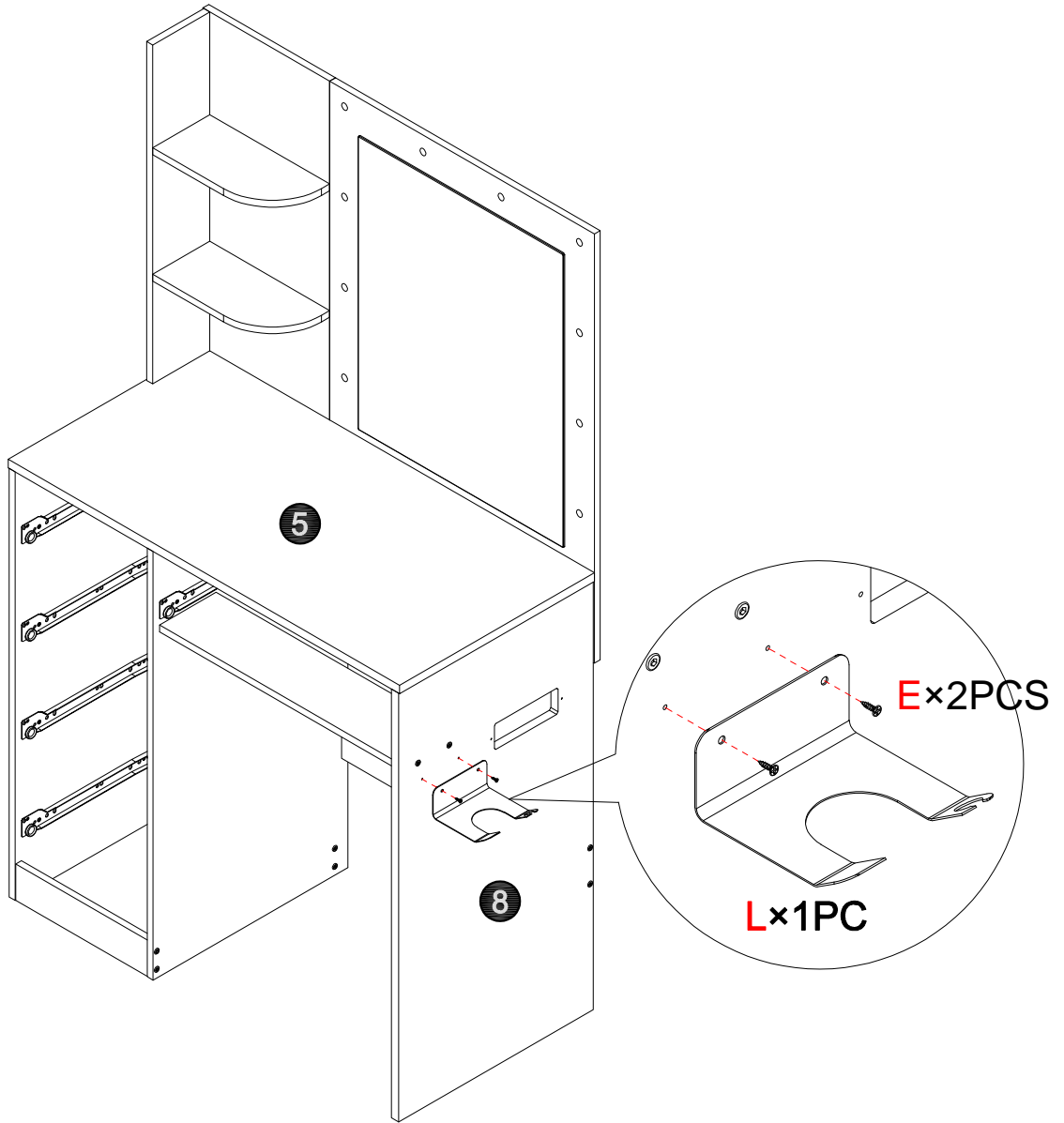


12 x 1PC

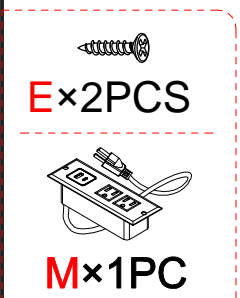
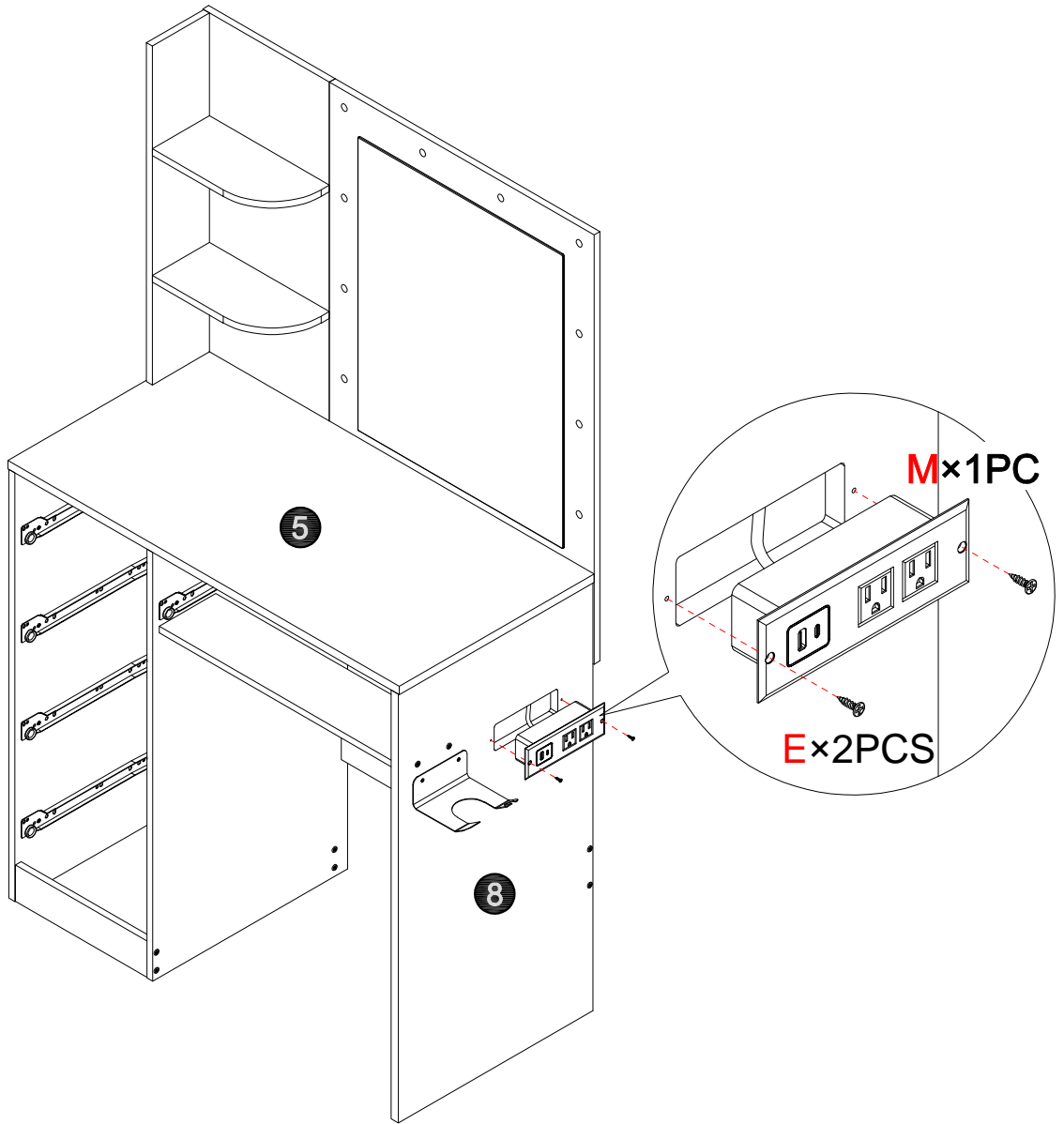
23



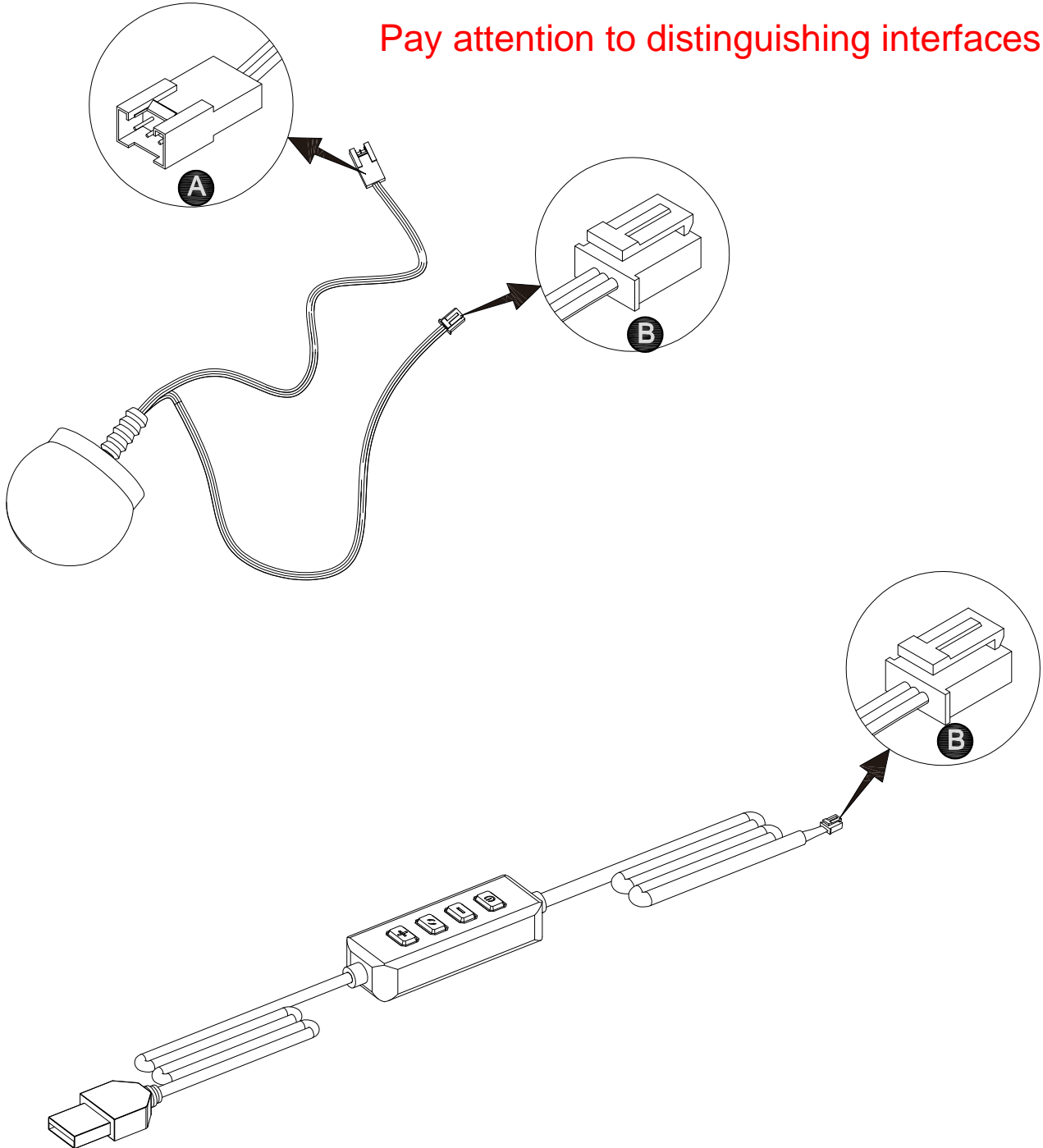
24

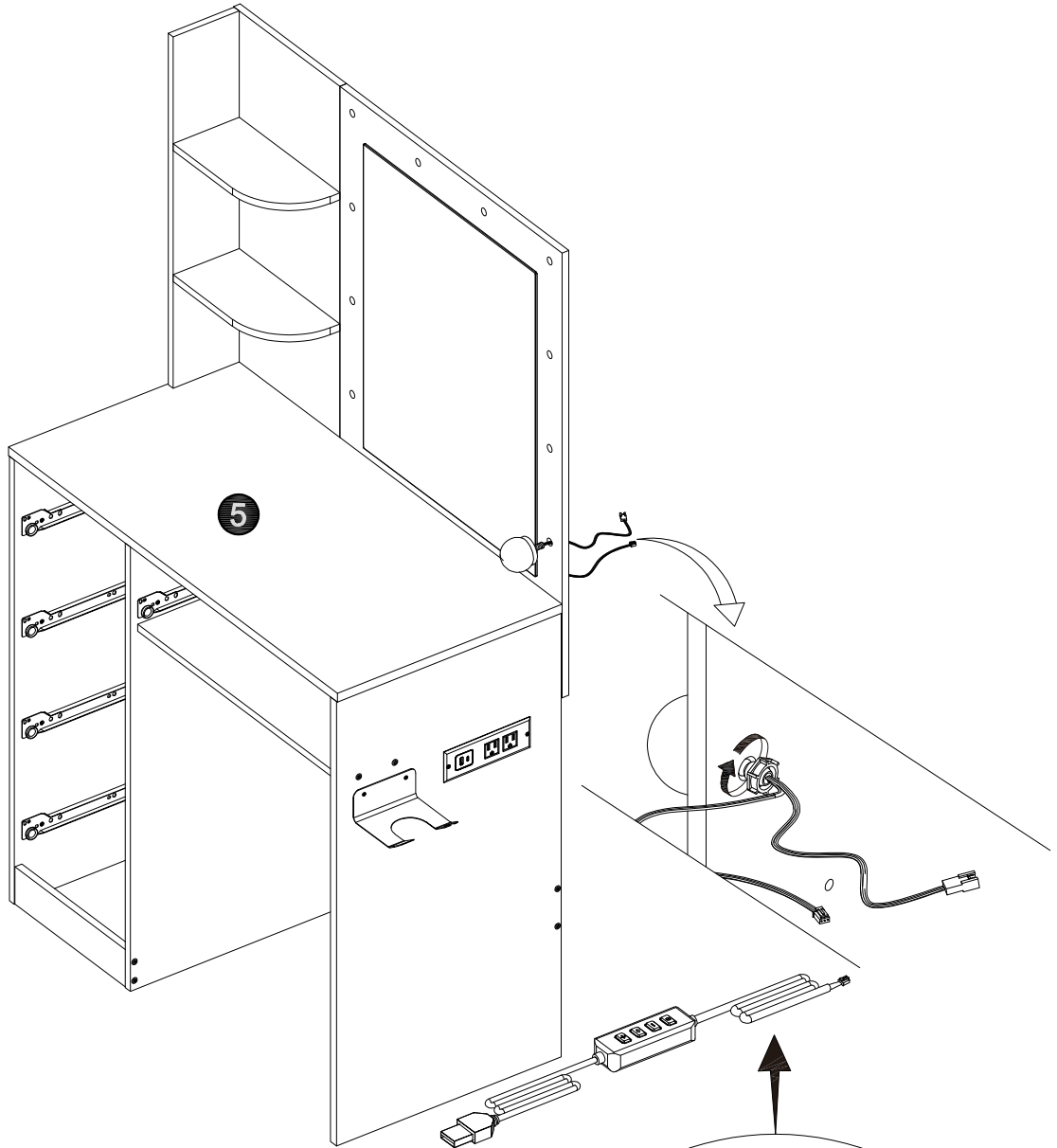


25



Pay attention to distinguishing interfaces





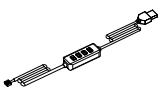
Connect the controller to the first light bulb first



J1×1PC



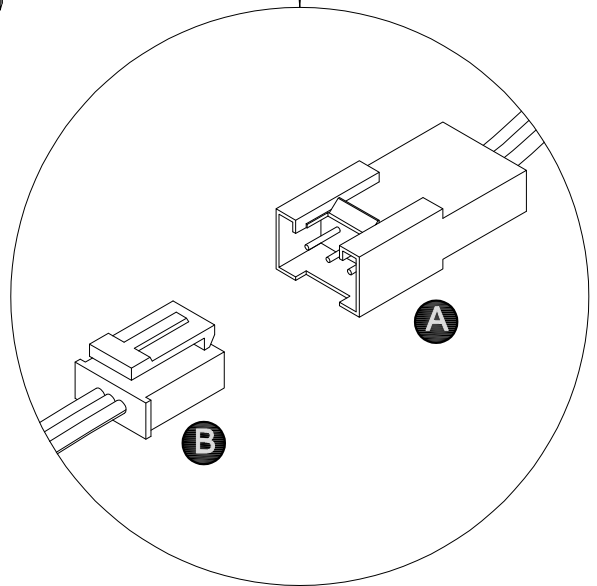
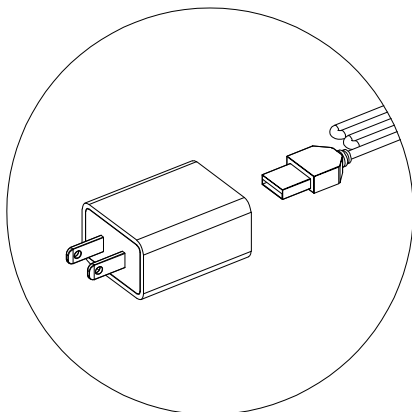
J2×1PC

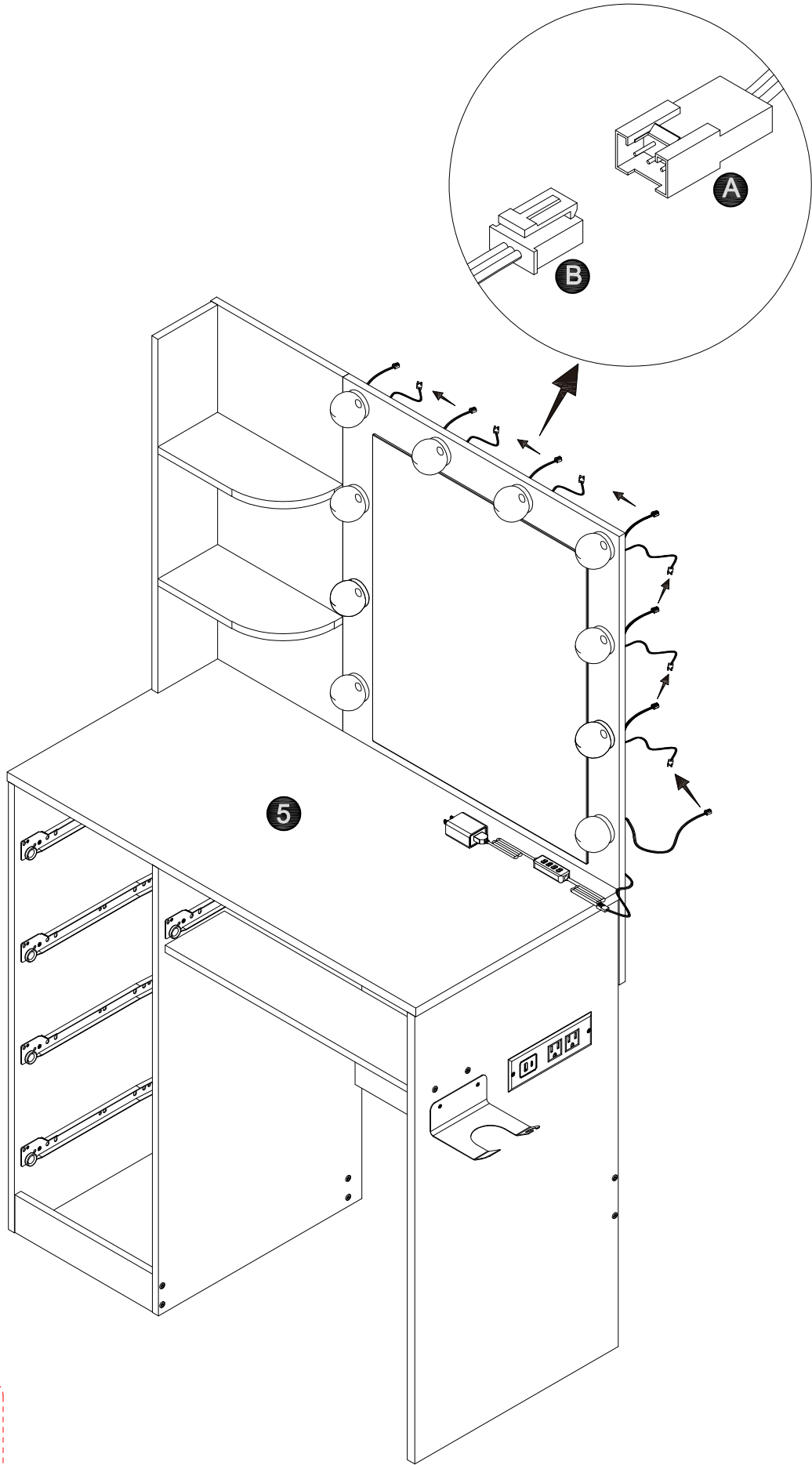




J3×1PC



J4×1PC

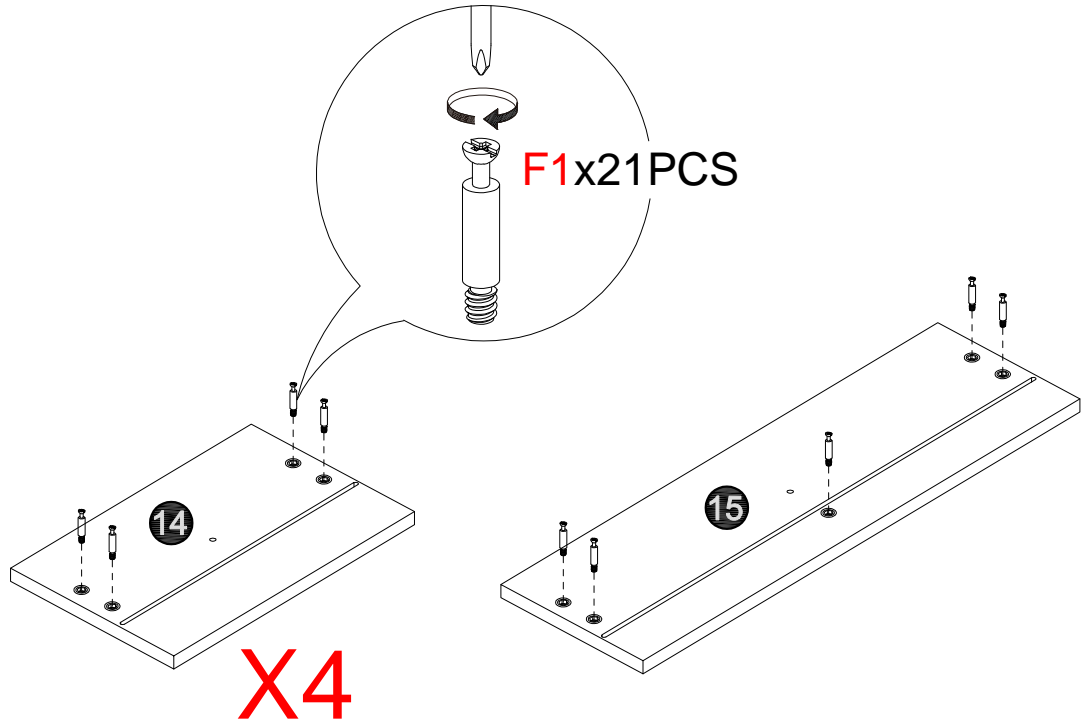




-  J1×9PCS
-  J2×9PCS

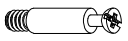
Install the connecting wires in order

29



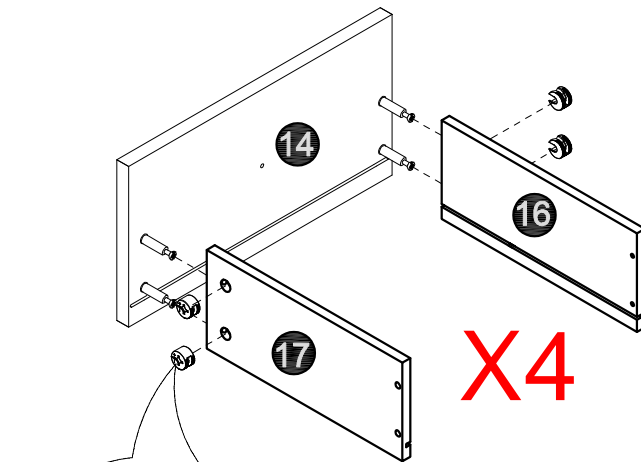
14×4PCS

15×1PC



F1×21PCS

30



F2×16PCS

14×4PCS

16×4PCS

17×4PCS



F2×16PCS

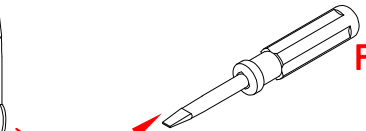
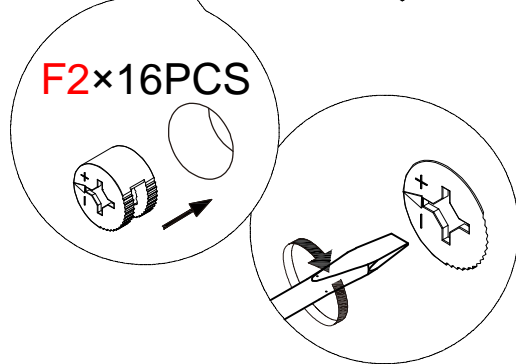
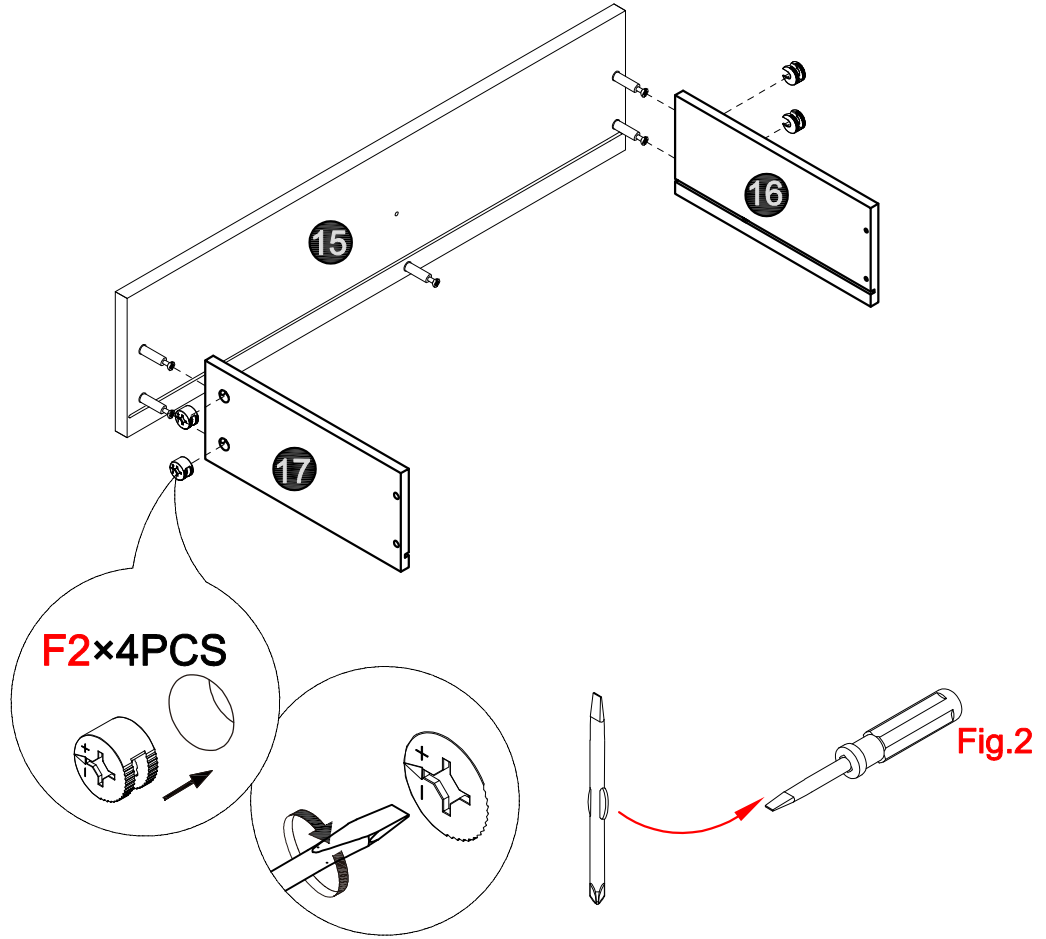


Fig.2

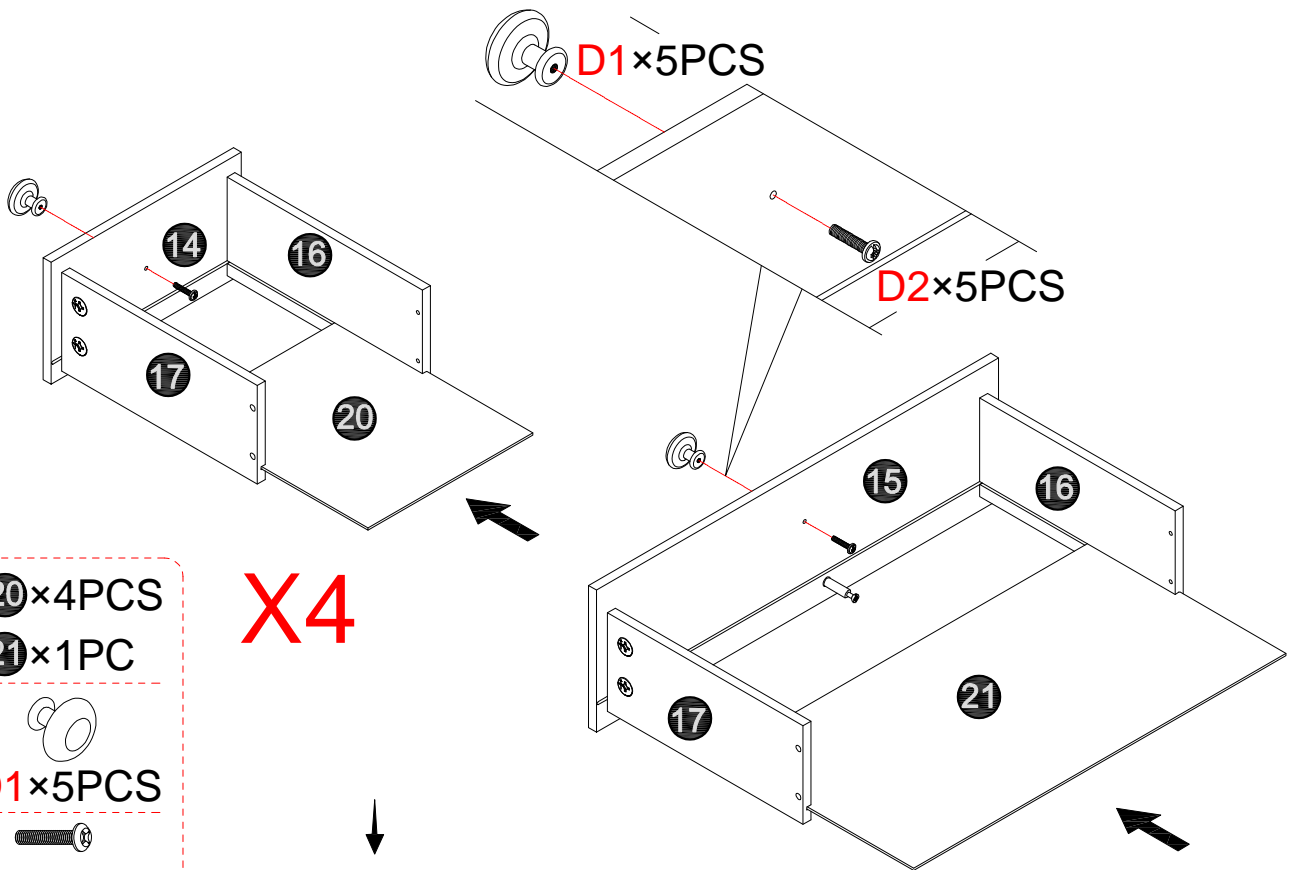
31



- 15×1PC
- 16×1PC
- 17×1PC

F2×4PCS

32



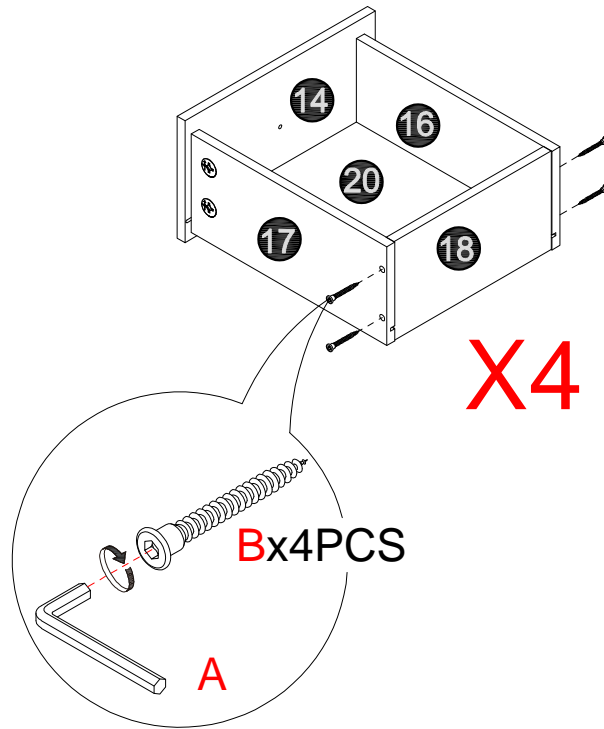
- 20×4PCS
- 21×1PC

D1×5PCS

D2×5PCS

X4

33

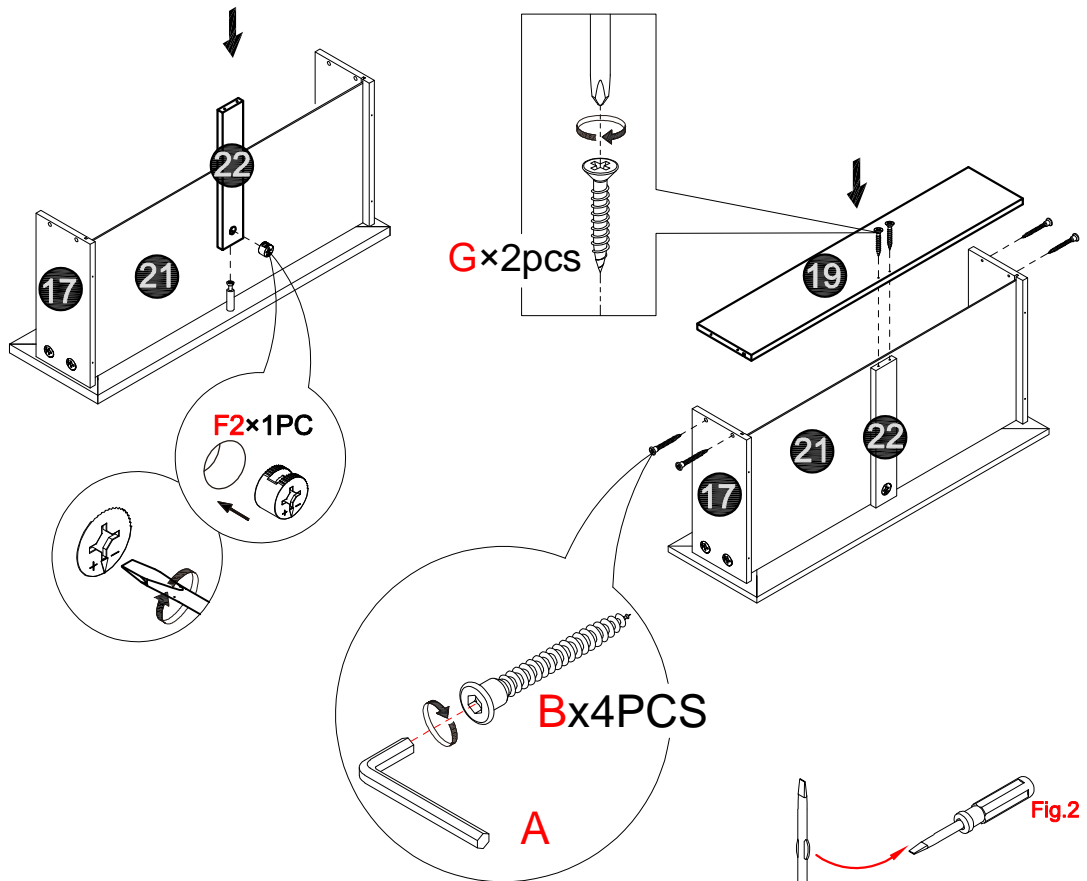


18x4PCS



Bx16PCS

34

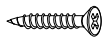


19x1PC

22x1PC



F2x1PC

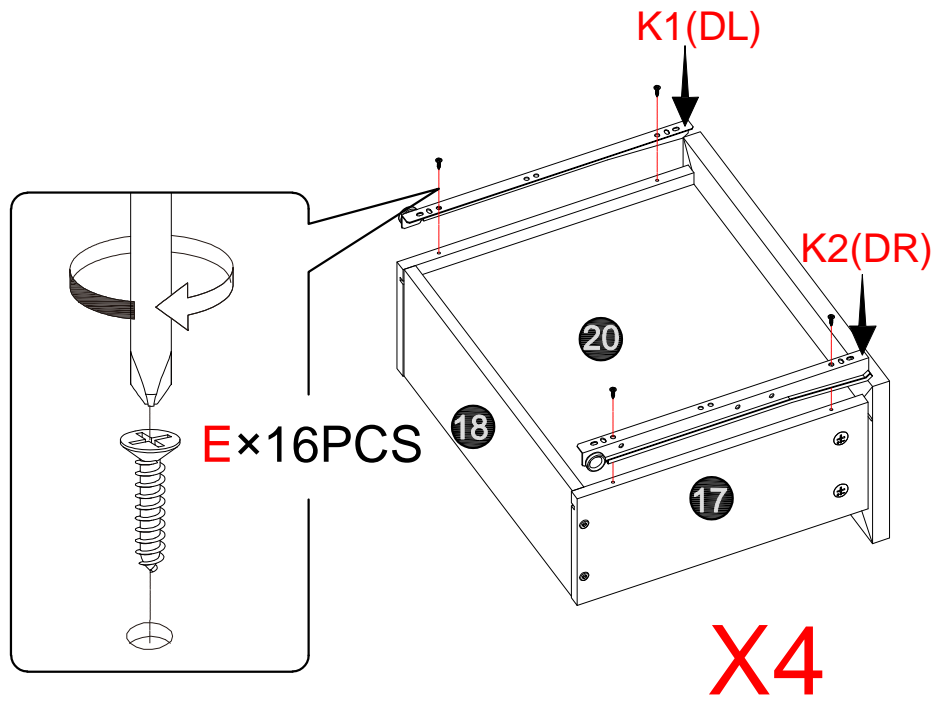


Gx2PCS



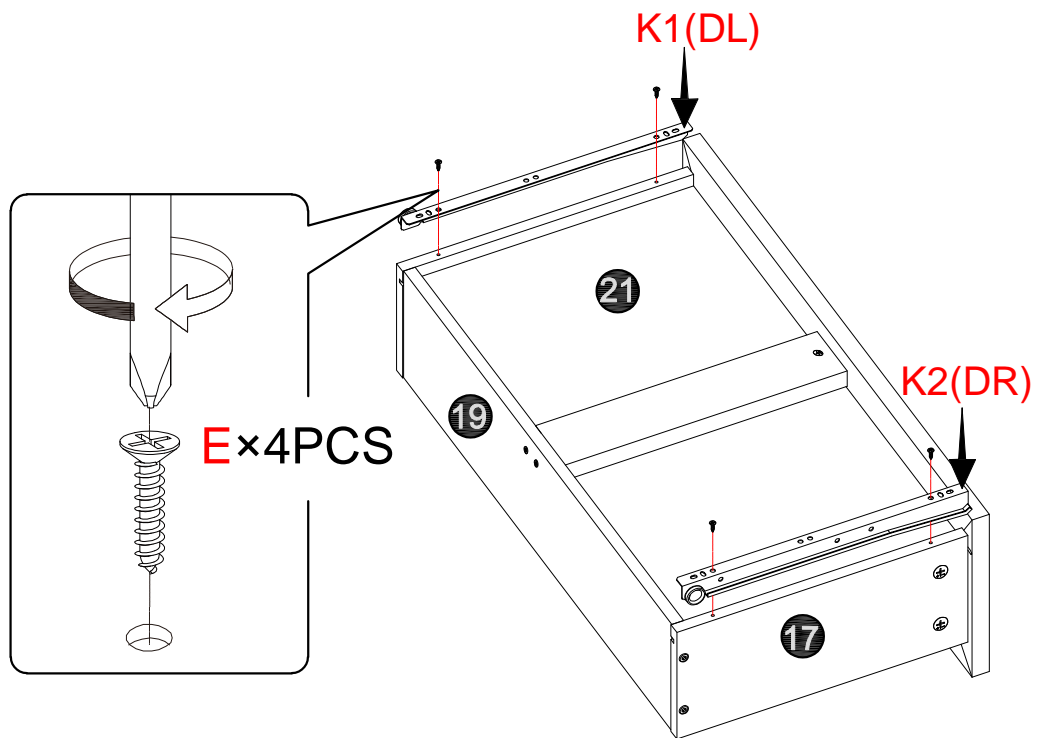
Bx4PCS

35



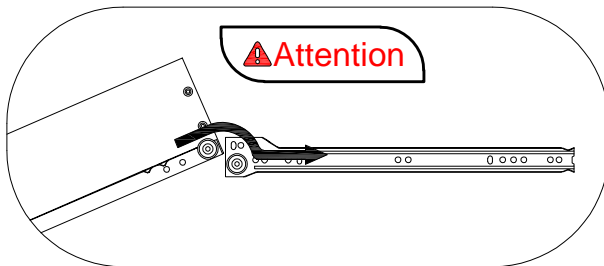
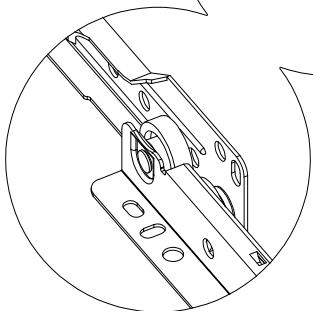
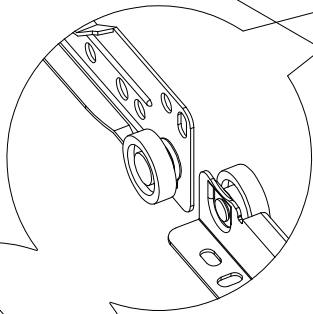
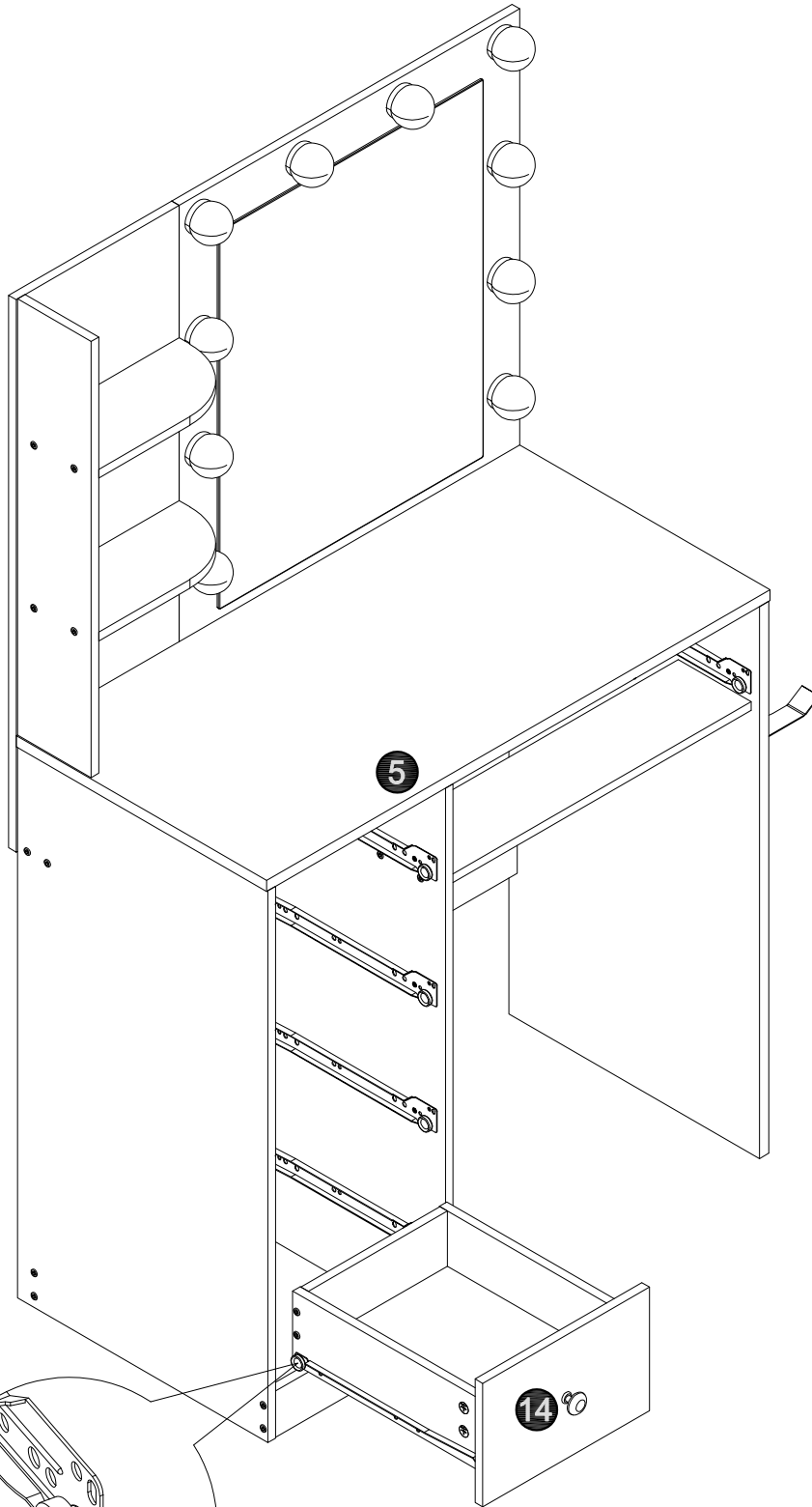
Please pay attention to the position of the holes when installing

36

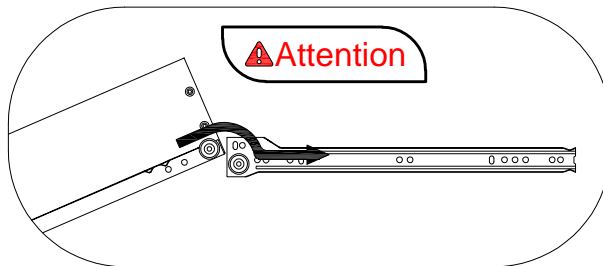
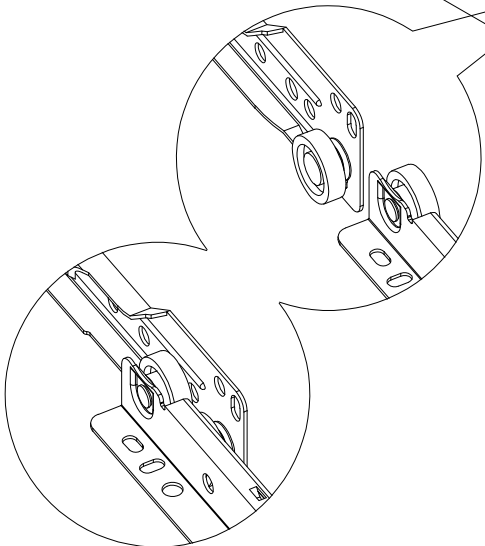
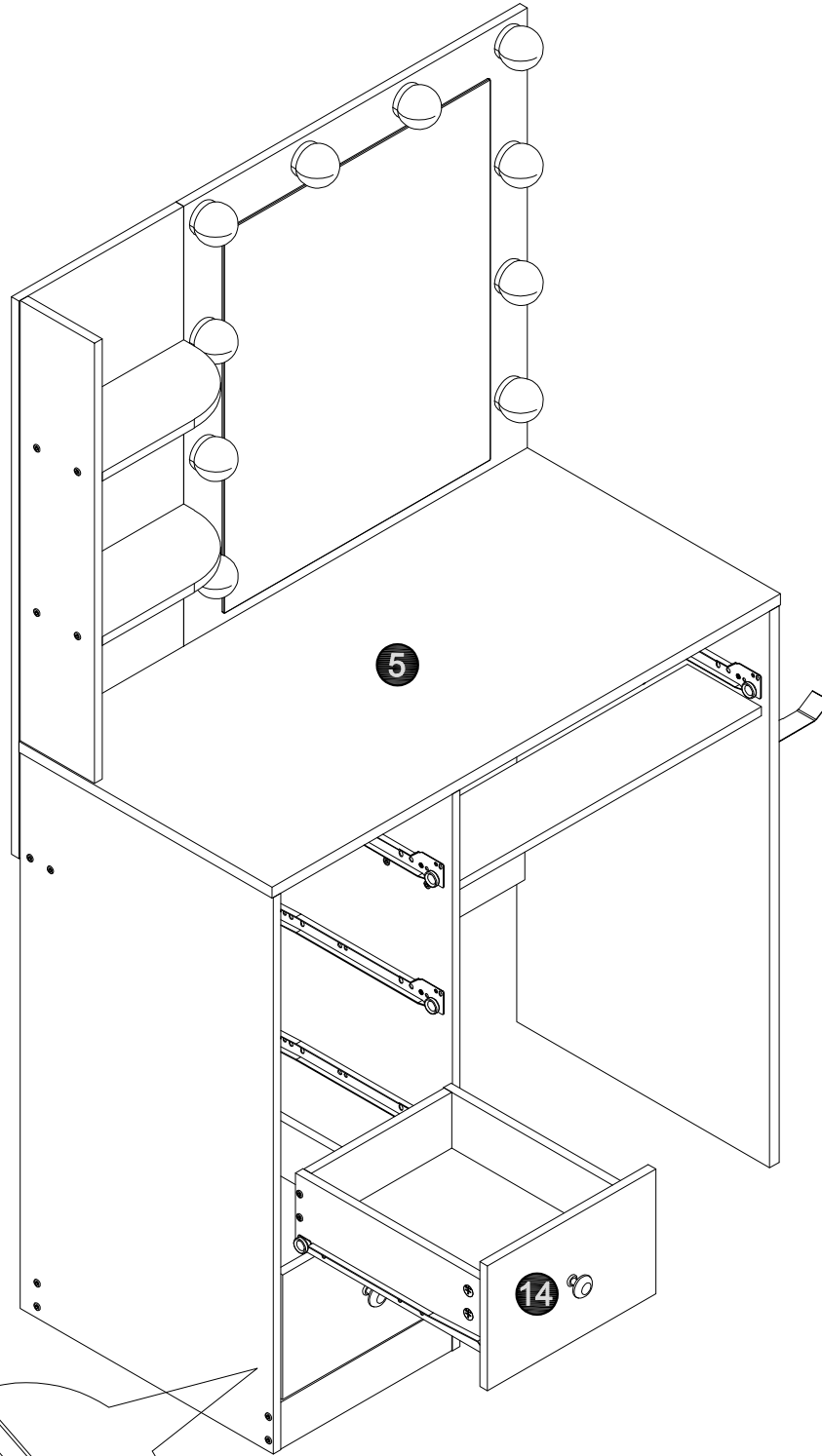


Please pay attention to the position of the holes when installing

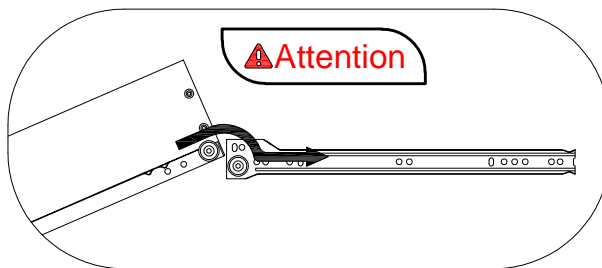
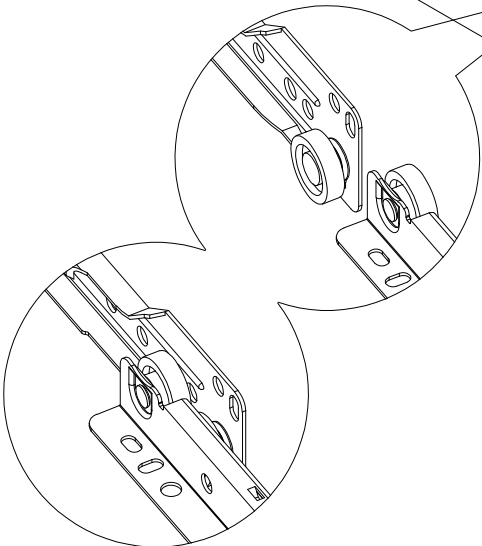
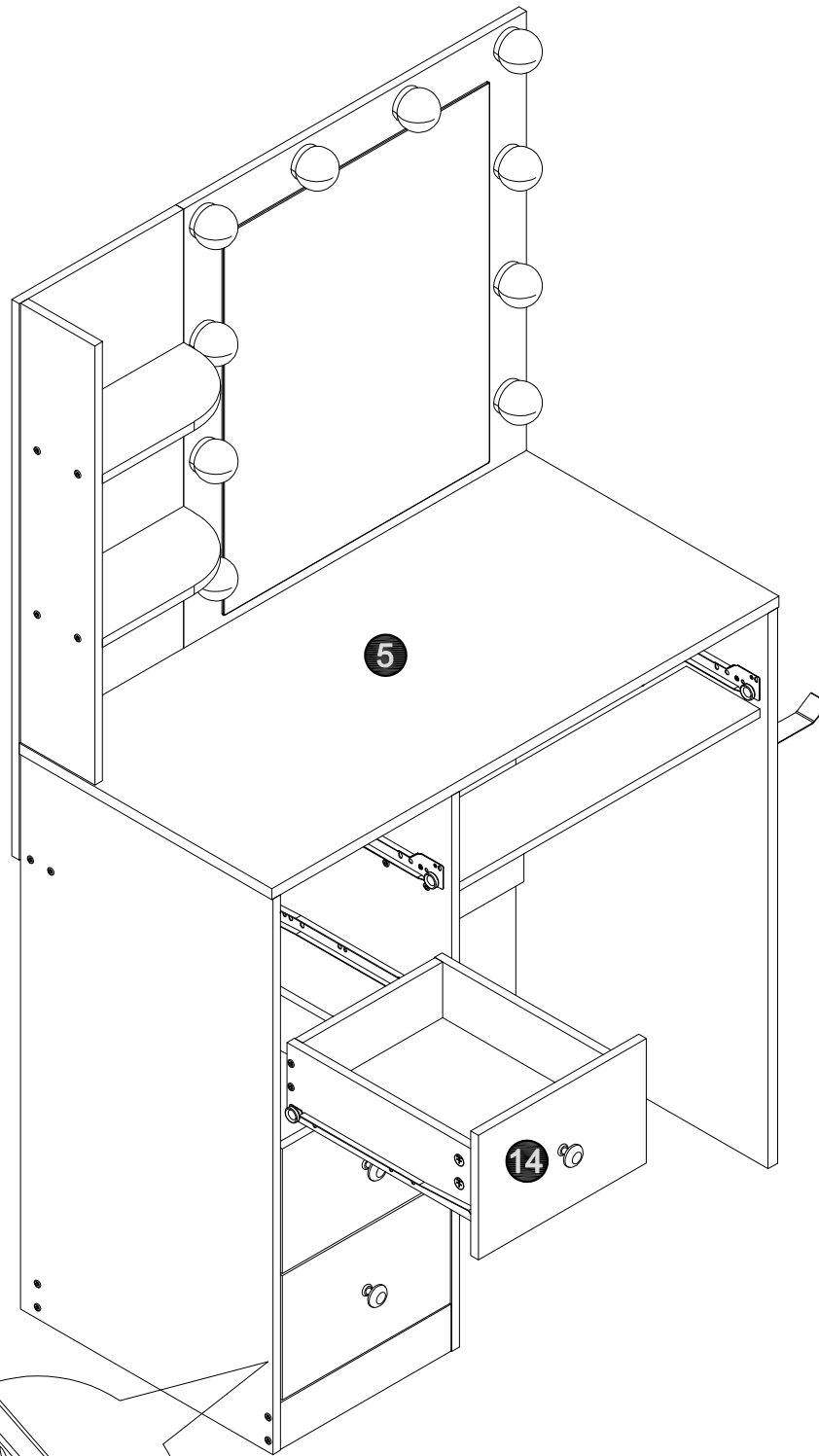
37



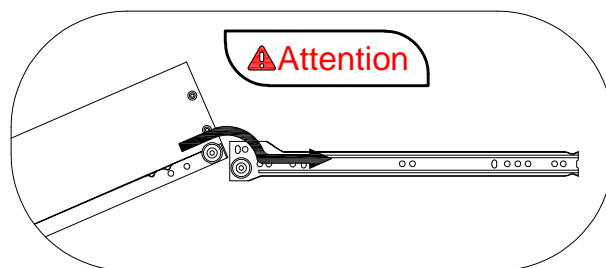
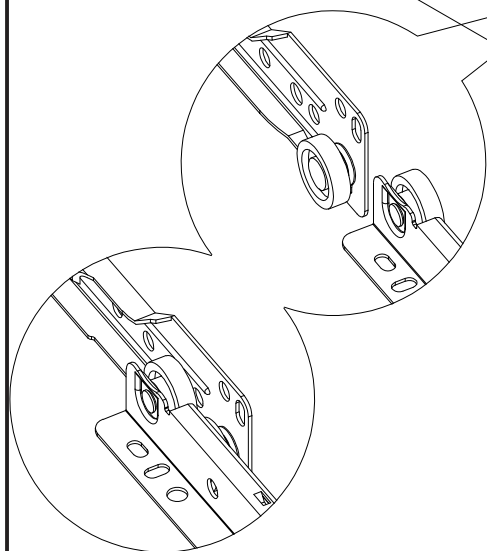
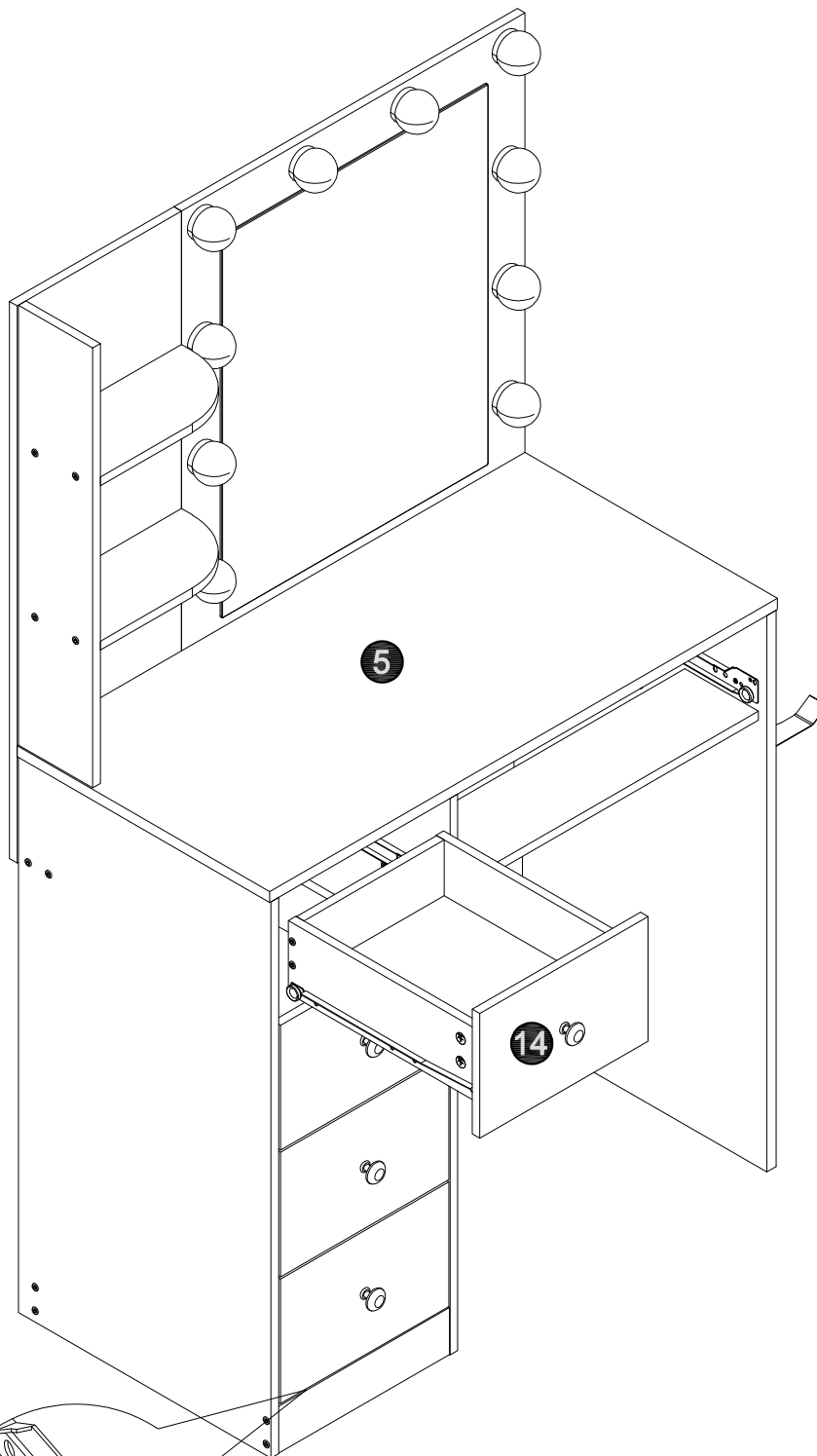
38



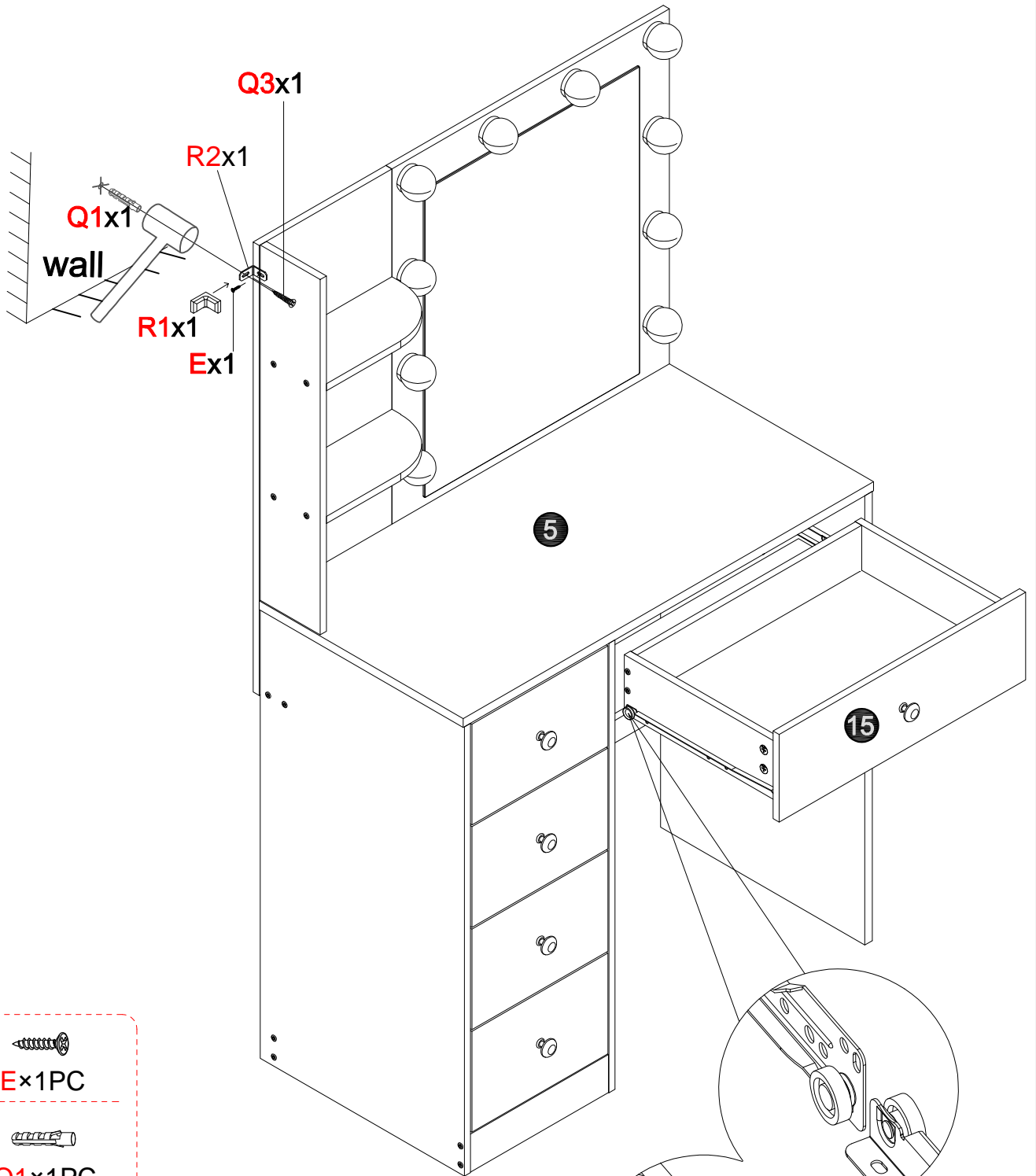
39



40



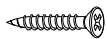
41



E×1PC



Q1×1PC



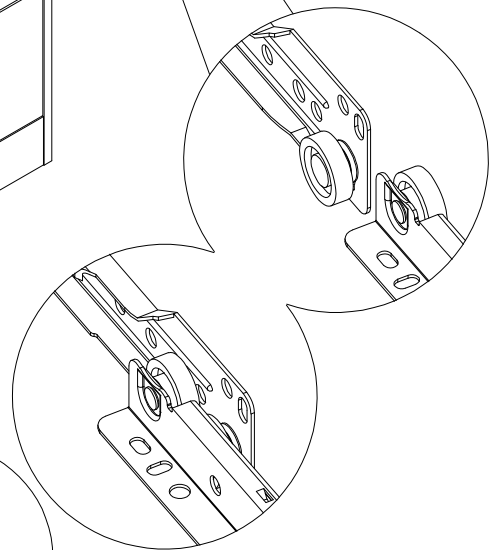
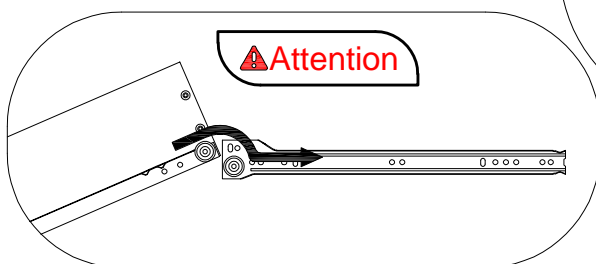
Q3×1PC

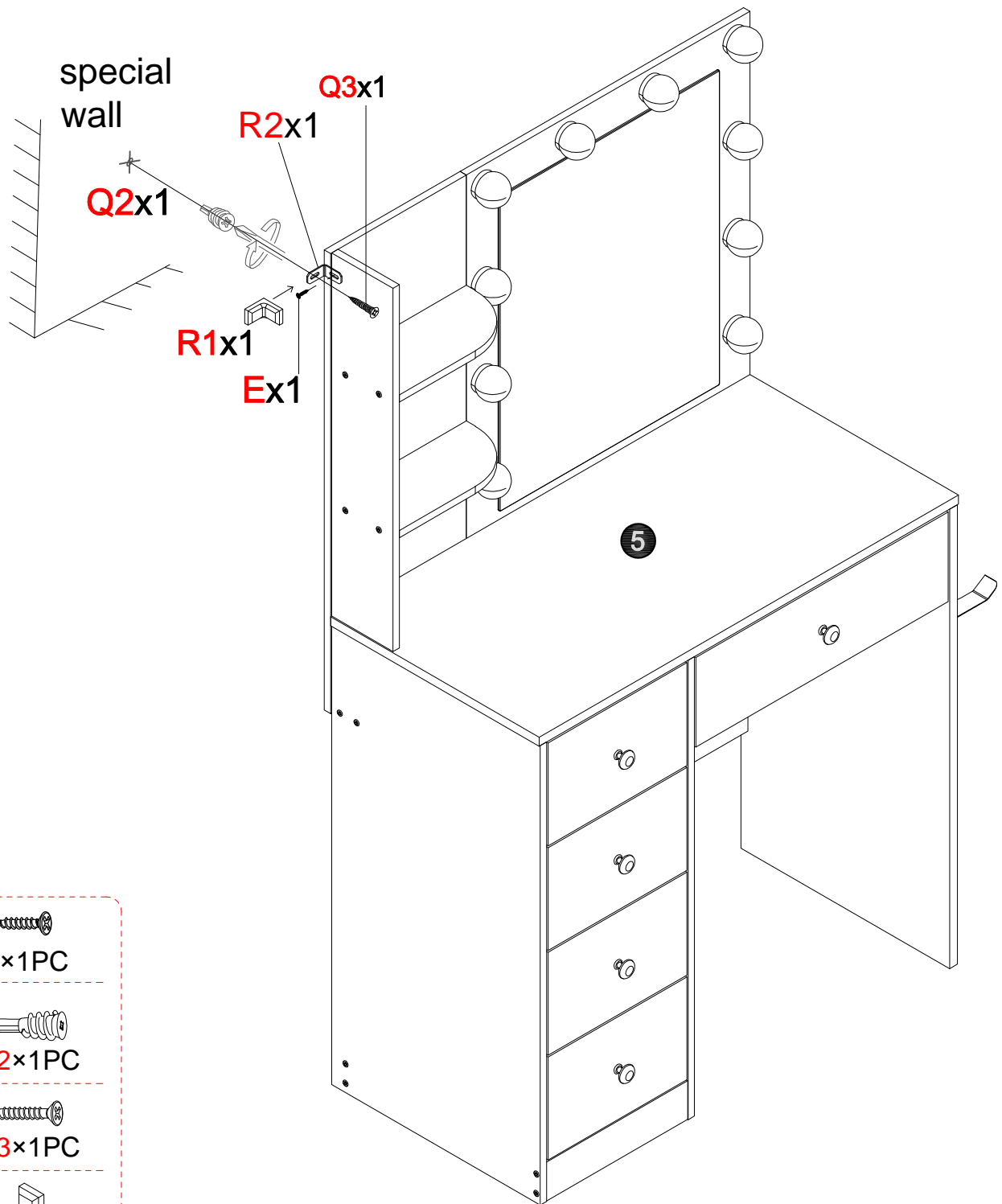


R1×1PC



R2×1PC

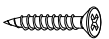




Ex1PC



Q2x1PC



Q3x1PC

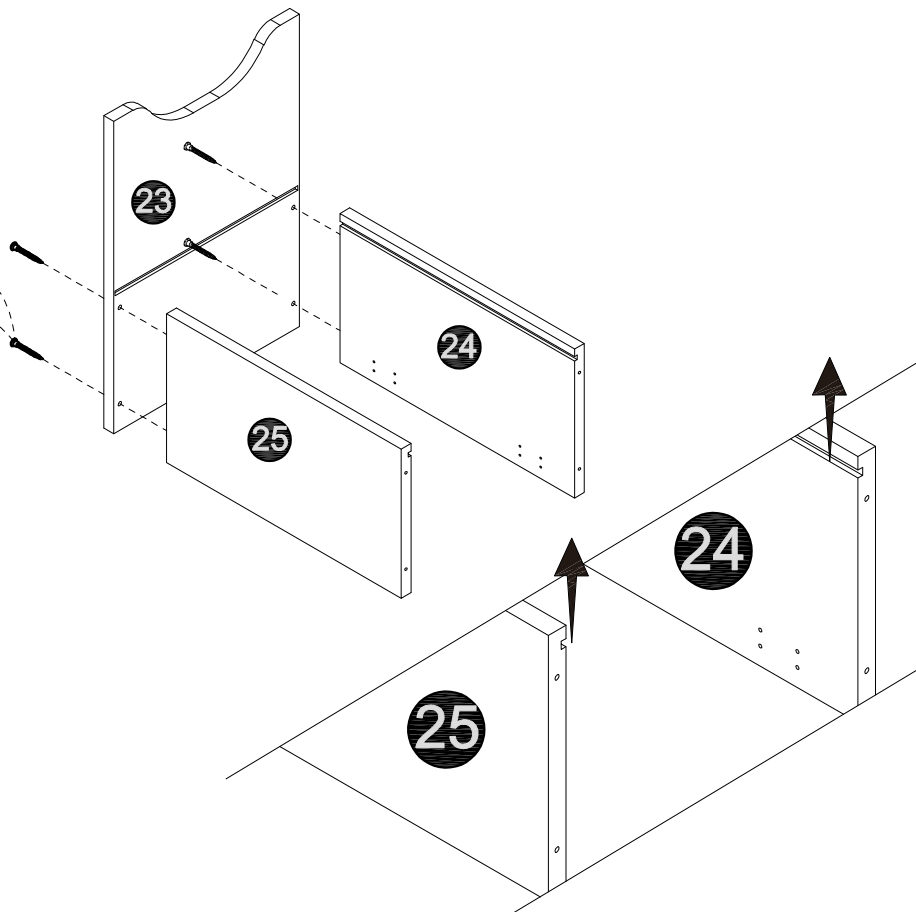
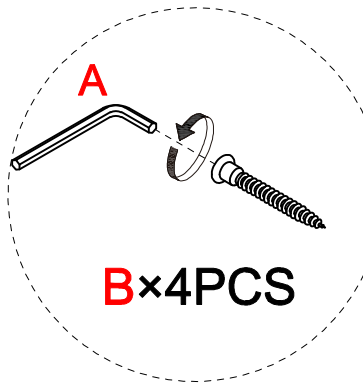


R1x1PC



R2x1PC

43



23 x 1PC

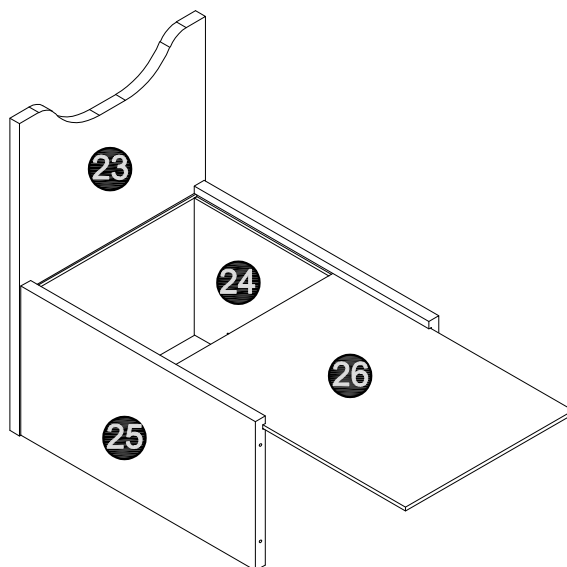
24 x 1PC

25 x 1PC



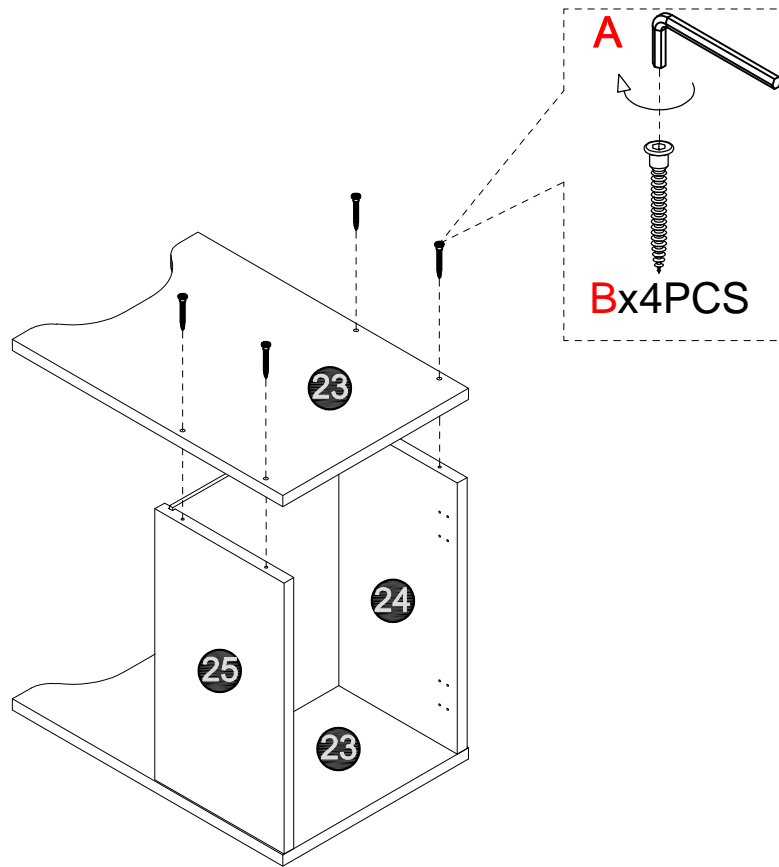
B x 4PCS

44



26 x 1PC

45

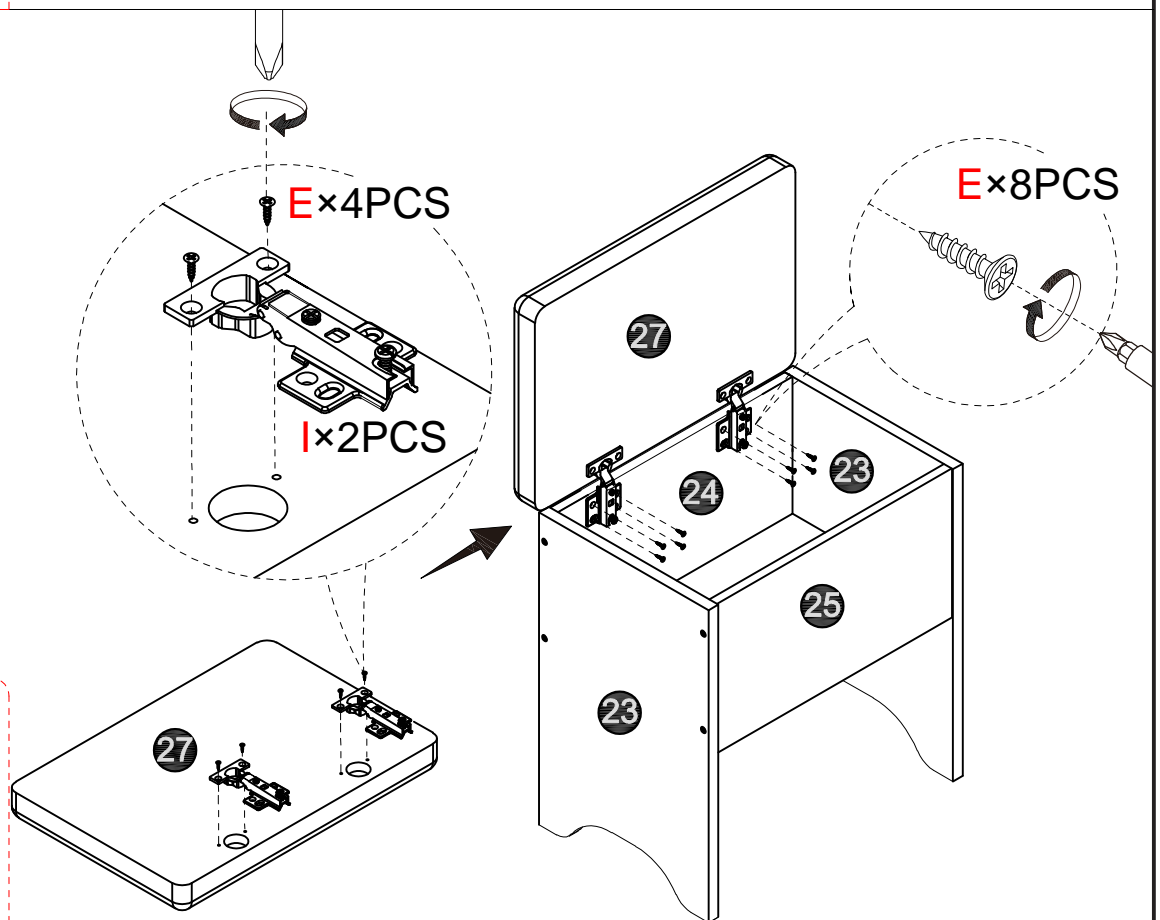


23x1PC



Bx4PCS

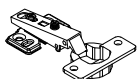
46



27x1PC



Ex12PCS



Ix2PCS